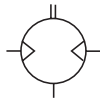
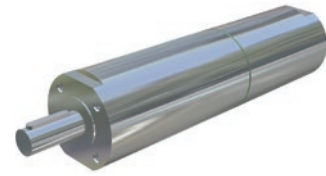


P1VAS Stainless Steel Vane Air Motors with Integrated Planetary Gear boxes

Note: All technical data are based on a working pressure of 6 bar and with oil lubrication. With oil free operation performances are reduced by 10 to 20%. Speed tolerance accuracy in between clock and anti clockwise directions is $\pm 10\%$.

Note! Inlet and exhaust air flows are critical for reaching the best performances.



Data for Reversible Air Motor Power 600 watts, with Keyed Shaft

Max power	Free speed	No-minal speed	Nominal torque	Min starting torque	Stall torque	Max adm torque	Air consumption	Supply/Exhaust	Min pipe	Weight	ATEX	Rotation	Vanne Option	Order Code
[watt]	[rpm]	[rpm]	[Nm]	[Nm]	[Nm]	[Nm]	[m3/min]		[mm]	[kg]				
600	13500	6750	0,85	1,25	1,60	*	0,85	G3/8 G1/2	12 12	2,20	T6 T80°C	L & R	0, C, Z	P1VAS060A0D50
600	5500	2750	2,00	3,10	3,90	*	0,85	G3/8 G1/2	12 12	2,70	T6 T80°C	L & R	0, C, Z	P1VAS060A0550
600	4000	2000	2,80	4,30	5,40	*	0,85	G3/8 G1/2	12 12	2,30	T3 T195°C	L & R	0, C, Z	P1VAS060A0400
600	3000	1500	3,80	5,70	7,20	*	0,85	G3/8 G1/2	12 12	2,30	T4 T130°C	L & R	0, C, Z	P1VAS060A0300
600	2000	1000	5,70	8,50	10,80	*	0,85	G3/8 G1/2	12 12	2,30	T4 T130°C	L & R	0, C, Z	P1VAS060A0200
600	700	350	16,30	24,50	31,10	*	0,85	G3/8 G1/2	12 12	2,60	T6 T80°C	L & R	0, C, Z	P1VAS060A0070
600	500	250	22,90	34,30	43,50	*	0,85	G3/8 G1/2	12 12	2,70	T6 T80°C	L & R	0, C, Z	P1VAS060A0050
600	340	170	33,70	50,60	64,00	*	0,85	G3/8 G1/2	12 12	2,70	T6 T80°C	L & R	0, C, Z	P1VAS060A0034
300	180	90	31,80	47,70	60,40	*	0,55	G3/8 G1/2	12 12	2,70	T6 T80°C	L & R	0, C, Z	P1VAS060A0018

Details on page 15

Data for Reversible Air Motor Power 900 watts, with Keyed Shaft

Max power	Free speed	No-minal speed	Nominal torque	Min starting torque	Stall torque	Max adm torque	Air consumption	Supply/Exhaust	Min pipe	Weight	ATEX	Rotation	Vanne Option	Order Code
[watt]	[rpm]	[rpm]	[Nm]	[Nm]	[Nm]	[Nm]	[m3/min]		[mm]	[kg]				
900	12600	6300	1,35	2,00	2,60	*	1,40	G3/8 G1/2	12 12	3,55	T6 T80°C	L & R	0, C, Z	P1VAS090A0C60
900	5200	2600	3,30	4,90	6,20	*	1,40	G3/8 G1/2	12 12	3,55	T6 T80°C	L & R	0, C, Z	P1VAS090A0520
900	3670	1835	4,60	7,00	8,90	*	1,40	G3/8 G1/2	12 12	3,65	T3 T195°C	L & R	0, C, Z	P1VAS090A0367
900	2850	1425	6,00	9,00	11,40	*	1,40	G3/8 G1/2	12 12	3,65	T4 T130°C	L & R	0, C, Z	P1VAS090A0285
900	1900	950	9,00	14,50	17,10	*	1,40	G3/8 G1/2	12 12	3,65	T4 T130°C	L & R	0, C, Z	P1VAS090A0190
900	650	325	26,40	39,60	50,20	*	1,40	G3/8 G1/2	12 12	3,95	T6 T80°C	L & R	0, C, Z	P1VAS090A0065
900	470	235	36,50	54,80	69,40	*	1,40	G3/8 G1/2	12 12	3,95	T6 T80°C	L & R	0, C, Z	P1VAS090A0047
900	310	155	55,40	83,10	105,30	*	1,40	G3/8 G1/2	12 12	3,95	T6 T80°C	L & R	0, C, Z	P1VAS090A0031

Details on page 15

Data for Reversible Air Motor Power 1600 watts, with Keyed Shaft

Max power	Free speed	No-minal speed	Nominal torque	Min starting torque	Stall torque	Max adm torque	Air consumption	Supply/Exhaust	Min pipe	Weight	ATEX	Rotation	Vanne Option	Order Code
[watt]	[rpm]	[rpm]	[Nm]	[Nm]	[Nm]	[Nm]	[m3/min]		[mm]	[kg]				
1600	9600	4800	3,10	4,70	6,05	*	1,60	G1/2 G3/4	19 19	5,90	T6 T80°C	L & R	0, C, Z	P1VAS160A0960
1600	2500	1250	12,20	18,30	23,20	*	1,60	G1/2 G3/4	19 19	6,10	T3 T195°C	L & R	0, C, Z	P1VAS160A0250
1600	1200	600	25,40	38,20	48,30	*	1,60	G1/2 G3/4	19 19	6,10	T4 T130°C	L & R	0, C, Z	P1VAS160A0120
1600	700	350	43,60	65,40	82,90	*	1,60	G1/2 G3/4	19 19	6,70	T4 T130°C	L & R	0, C, Z	P1VAS160A0070
1600	320	160	95,40	143,20	181,40	*	1,60	G1/2 G3/4	19 19	6,70	T4 T130°C	L & R	0, C, Z	P1VAS160A0032
700	200	100	66,90	100,00	125,00	*	1,60	G1/2 G3/4	19 19	6,70	T6 T80°C	L & R	0, C, Z	P1VAS160A0020
1600	160	80	191,00	**	**	220,00	1,60	G1/2 G3/4	19 19	8,00	T6 T80°C	L & R	0, C, Z	P1VAS160A0016

Max. adm torque is restriction from the gear box Details on page 15

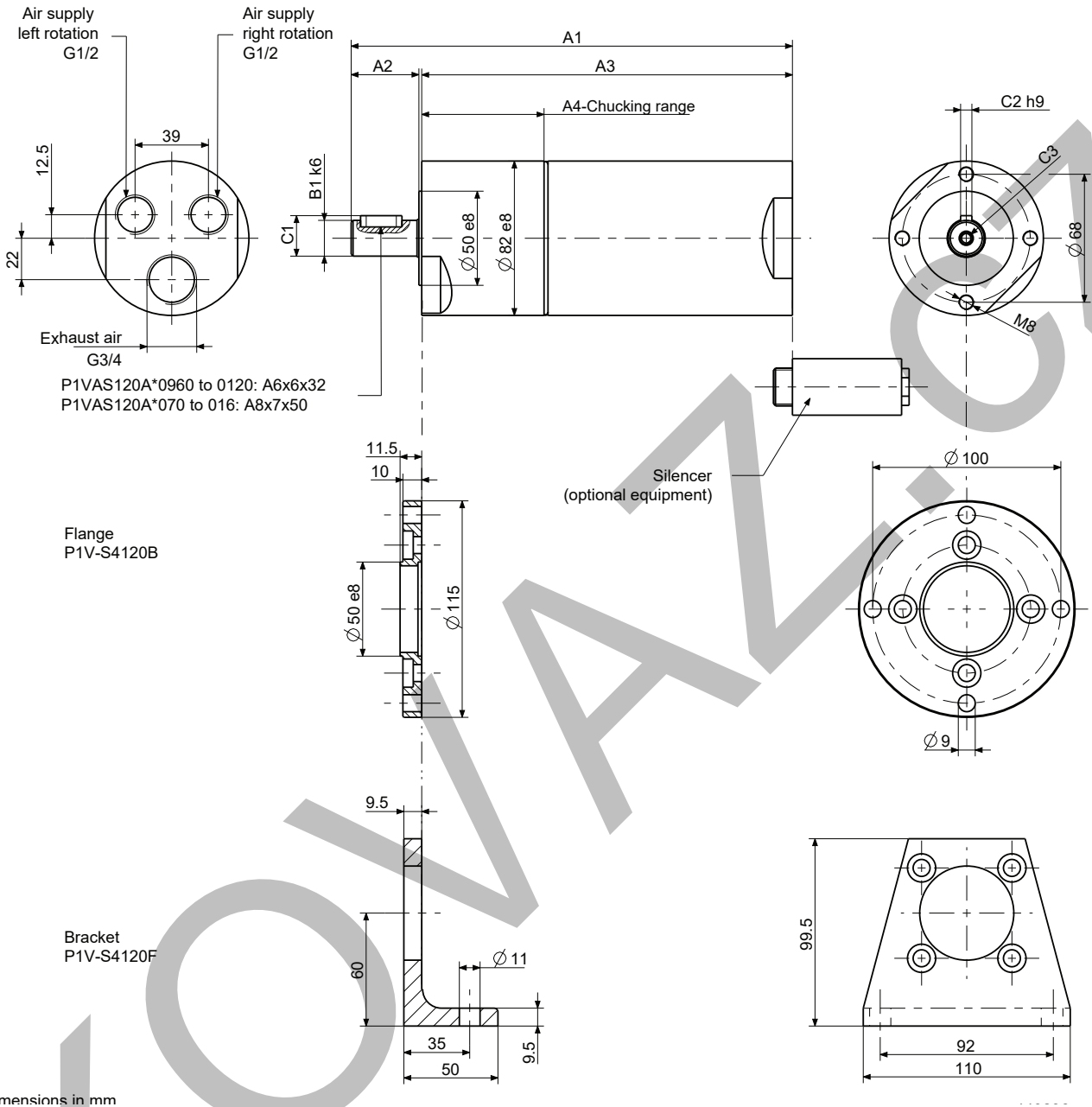
* Maximum admissible torque

No values as these motors can not achieve the maximum gear box torque. Stall torque is the max they can achieve.

** Nominal speed, nominal torque, min starting torque, stall torque

No values as the motors can not reach these conditions, otherwise the maximum torque of the gearboxes will be exceeded.

Dimensions [mm] 1600 watts



Dimensions in mm

Dimension [mm] 1600 watts

A1	A2	A3	A4	B1	C1	C2	C3	Order code		
235	35	197	65	19	21,5	6	M6x15	P1VAS160A*960	P1VAS160A*250	P1VAS160A*120
268	60	205	73	28	31	8	M10x20	P1VAS160A*070	P1VAS160A*032	P1VAS160A*020
311,5	61,5	248,5	116,5	28	31	8	M10x20	P1VAS160A*016		

* 0, C, Z