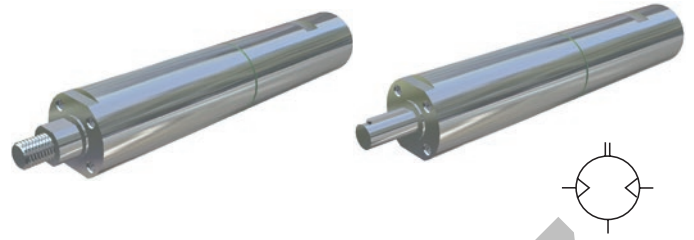


P1VAS Stainless Steel Vane Air Motors with Integrated Planetary Gear boxes

Note:

All technical data are based on a working pressure of 6 bar and with oil lubrication. With oil free operation performances are reduced by 10 to 20%. Speed tolerance accuracy in between clock and anti clockwise directions is ±10%. Note! Inlet and exhaust air flows are critical for reaching the best performances.



Data for Reversible Air Motor Power 120 watts, with Keyed Shaft

Max power	Free speed	No-minal speed	Nominal torque	Min starting torque	Stall torque	Max adm torque	Air consumption	Supply/Exhaust	Min pipe	Weight	ATEX	Rotation	Vanne Option	Order Code
[watt]	[rpm]	[rpm]	[Nm]	[Nm]	[Nm]	[Nm]	[m3/min]		[mm]	[kg]				
120	22000	11000	0,10	0,15	0,19	*	0,30	G1/8 G1/8	6 6	0,35	T6 T80°C	L & R	0, C, Z	P1VAS012A0N00
120	5500	2750	0,40	0,60	0,76	*	0,30	G1/8 G1/8	6 6	0,35	T4 T130°C	L & R	0, C, Z	P1VAS012A0550
120	3600	1800	0,60	0,90	1,14	*	0,30	G1/8 G1/8	6 6	0,35	T4 T130°C	L & R	0, C, Z	P1VAS012A0360
120	1400	700	1,60	2,40	3,00	*	0,30	G1/8 G1/8	6 6	0,40	T4 T130°C	L & R	0, C, Z	P1VAS012A0140
120	900	450	2,50	3,80	4,70	*	0,30	G1/8 G1/8	6 6	0,40	T6 T80°C	L & R	0, C, Z	P1VAS012A0090
120	600	300	3,80	**	**	5	0,30	G1/8 G1/8	6 6	0,40	T6 T80°C	L & R	0, C, Z	P1VAS012A0060
120	100	**	**	**	**	5	0,30	G1/8 G1/8	6 6	0,45	T6 T80°C	L & R	0, C, Z	P1VAS012A0010

With Threaded Shaft

120	22000	11000	0,10	0,15	0,19	*	0,30	G1/8 G1/8	6 6	0,35	T6 T80°C	-	0, C, Z	P1VAS012D0N00
120	5500	2750	0,40	0,60	0,76	*	0,30	G1/8 G1/8	6 6	0,35	T4 T130°C	-	0, C, Z	P1VAS012D0550
120	3600	1800	0,60	0,90	1,14	*	0,30	G1/8 G1/8	6 6	0,35	T4 T130°C	-	0, C, Z	P1VAS012D0360
120	1400	700	1,60	2,40	3,00	*	0,30	G1/8 G1/8	6 6	0,40	T4 T130°C	-	0, C, Z	P1VAS012D0140
120	900	450	2,50	3,80	4,70	*	0,30	G1/8 G1/8	6 6	0,40	T6 T80°C	-	0, C, Z	P1VAS012D0090
120	600	300	3,80	**	**	5	0,30	G1/8 G1/8	6 6	0,40	T6 T80°C	-	0, C, Z	P1VAS012D0060
120	100	**	**	**	**	5	0,30	G1/8 G1/8	6 6	0,45	T6 T80°C	-	0, C, Z	P1VAS012D0010

Max. adm torque is restriction from the gear box Details on page 15

Note:

air motor rotation with threaded shaft may be reversed, but when operated anticlockwise, there is a risk that the driven unit may disconnect if it is not locked properly.

* Maximum admissible torque

No values as these motors can not achieve the maximum gear box torque. Stall torque is the max they can achieve.

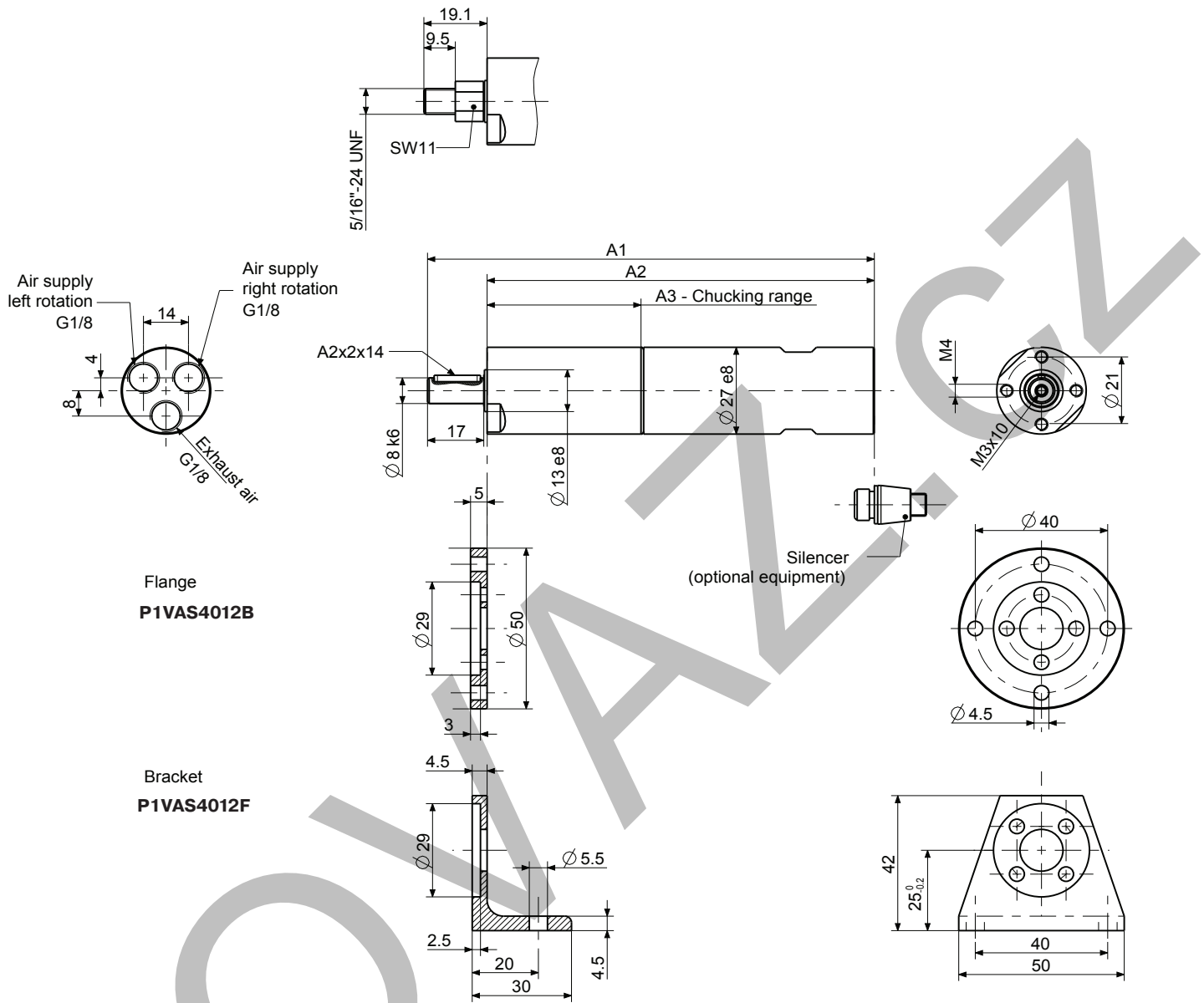
The motor P1VAS012A0060 has no specification for the start torque and the stall torque because it is higher than 5 Nm.

The motor P1VAS012A0010 has no specification for the nominal speed because if the motor reach the nominal speed then the max. adm. torque will be higher than 5 Nm.

**Nominal speed, nominal torque, min starting torque, stall torque

No values as the motors can not reach these conditions, otherwise the maximum torque of the gearboxes will be exceeded.

Dimensions [mm] 120 watts



Dimension [mm] 120 watts

A1	A2	A3	Order code		
135	117	46,5	P1VAS012A*N00	P1VAS012A*550	P1VAS012A*360
147,5	129,5	59	P1VAS012A*140	P1VAS012A*090	P1VAS012A*060
160	142	71,5	P1VAS012A*010		

* 0, C, Z