

Always filtrate the vacuum system to protect the components from damaging particles absorbed from the environment. Elements should be replaced periodically to prevent slower response and overall performance of the system.



Specifications

Media	Non-corrosive air
Operating vacuum	0 to 0.95 bar
Maximum pressure	4 bar (60 PSI)
Operating temperature	0°C to 60°C
Filtration	120 µm (VF-2); 130 µm (VFL-44, 66, 88, VF-3, VF-5, VF-6)

Materials

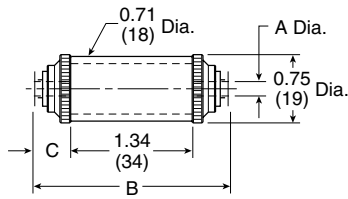
Part number	Material housing	Material element	Weight (g)
VF-2G	Aluminum	Acrylic, Stainless steel	44
VF-3G	Aluminum	PC, Polyvinyl	88
VF-5G	Aluminum	PC, Polyvinyl	146
VF-6G	Aluminum	PC, Polyvinyl	234
VFL-44	Poly-carbonate	PC, Polyvinyl	19
VFL-66	Poly-carbonate	PC, Polyvinyl	21
VFL-88	Poly-carbonate	PC, Polyvinyl	23

Ordering information

Application	Male connection	Replacement elements	Replacement cover, o-ring	Part number
CV-05, CV-10	G1/8"	VF-2E	—	VF-2G
CV-05, CV-10	G1/8"	VF-3E	VF-3K	VF-3G
CV-15, MCA-10/13	G1/4"	VF-5E	VF-3K	VF-5G
CV-20/25/30	G3/8"	VF-6E	VF-3K	VF-6G
General use	4mm - Tube	VFL-E	VFL-44K	VFL-44
General use	6mm - Tube	VFL-E	VFL-66K	VFL-66
General use	8mm - Tube	VFL-88E	VFL-88K	VFL-88

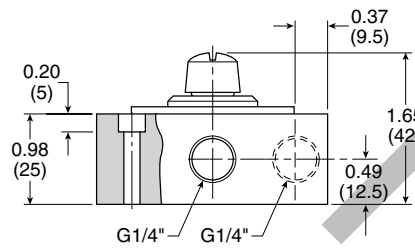
Dimensions

VFL Series

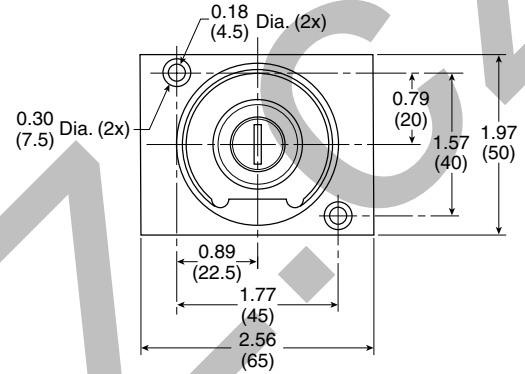
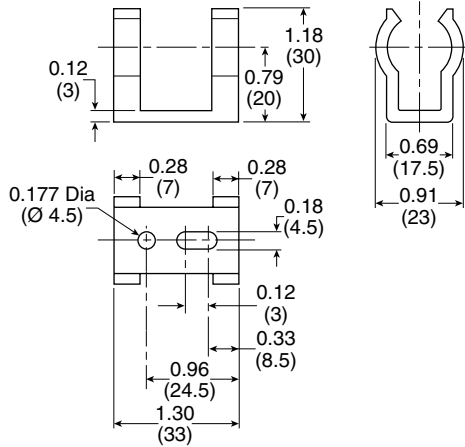


Part number	A	B	C
VFL-44	4	55	10.5
VFL-66	6	58	12
VFL-88	8	62	14

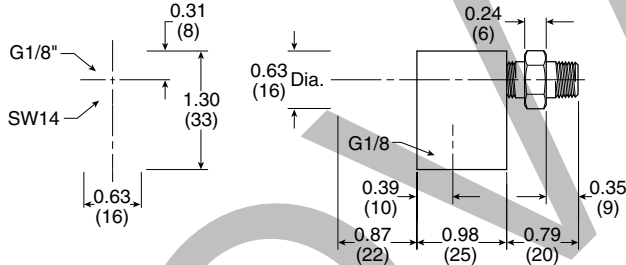
VF-5



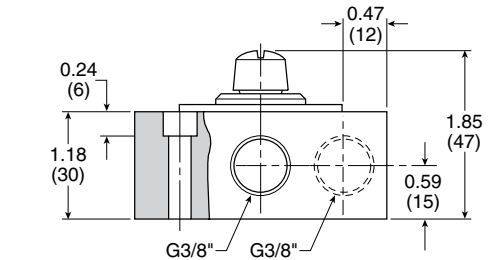
VFL-46H Mtg. Bracket



VF-2



VF-6



VF-3

