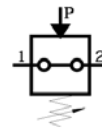
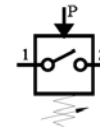


Pressure Switches G1/8", G1/4"



Break contact



Make contact

**Characteristics**

Safety pressure relief P <sub>max</sub>	300 bar
Port size	G1/8, G1/4
Weight (mass)	0.090 kg
Medium and ambient T <sub>max</sub> temperature range	+100 °C
Switch back difference	Max. 5 - 15%
Voltage	Max. 48 V
Current	0.5 A
Electrical connection	Plug contacts, plug
Degree of protection	IP 65 with plug
Switching frequency	Max. 200 s/min

**Material**

Housing	Passivated steel
Diaphragm	Buna N

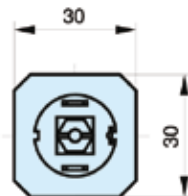
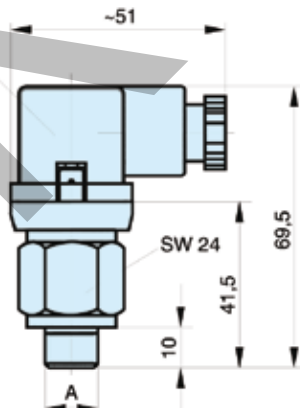
**Switching function**

Make contact	Closes the circuit when the set pressure is reached
Break contact	Interrupts the circuit when the set pressure is reached

**Dimensions and order instructions**

Order instructions	Port size (bar)	Function	Setting range	Order code	Type	A
PR / 0.1-1 NC ST 1/4 48	G1/4	Break contact	0.1-1	<b>KL3439</b>		
PR / 0.1-1 NO ST 1/4 48	G1/4	Make contact	0.1-1	<b>KL3440</b>		
PR / 1-10 NC ST 1/8 48	G1/8	Break contact	1-10	<b>KL3437</b>		
PR / 1-10 NC ST 1/4 48	G1/4	Break contact	1-10	<b>KL3436</b>		
PR / 1-10 NO ST 1/8 48	G1/8	Make contact	1-10	<b>KL3438</b>		
PR / 1-10 NO ST 1/4 48	G1/4	Make contact	1-10	<b>KL3435</b>		

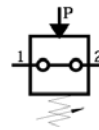
Plug can be turned 90°



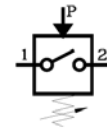
View A without plug

Dimensions in mm

**Pressure Switches G1/8", G1/4"**



Break contact



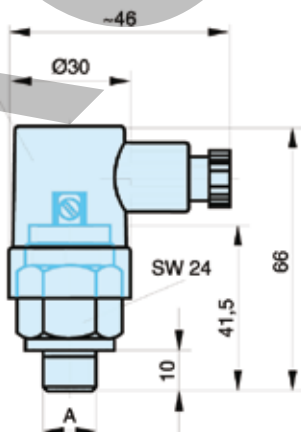
Make contact

Characteristics		Material	
Safety pressure relief P <sub>max</sub>	300 bar	Housing	Passivated steel
Port size	G1/8, G1/4	Diaphragm	Buna N
Weight (mass)	0.075 kg	<b>Switching function</b>	
Medium and ambient T <sub>max</sub> temperature range	+100 °C	Make contact	Closes the circuit when the set pressure is reached
Switch back difference	Max. 5 - 15%	Break contact	Interrupts the circuit when the set pressure is reached
Voltage	Max. 48 V		
Current	0.5 A		
Electrical connection	Flat pin plug, protective cap		
Degree of protection	IP 65 with protective cap		
Switching frequency	200 s/min		

**Dimensions and order instructions**

Order instructions	Port size (bar)	Function	Setting range	Order code	Type	A
PR / 0.2-1 NO SR 1/4 48	G1/4	Make contact	0.2-1	<b>KL3445</b>		
PR / 0.1-1 NC SR 1/4 48	G1/4	Break contact	0.1-1	<b>KL3454</b>		
PR / 0.1-1 NO SR 1/4 48	G1/4	Make contact	0.1-1	<b>KL3455</b>		
PR / 1-10 NC SR 1/8 48	G1/8	Break contact	1-10	<b>KL3452</b>		
PR / 1-10 NC SR 1/4 48	G1/4	Break contact	1-10	<b>KL3451</b>		
PR / 1-10 NO SR 1/8 48	G1/8	Make contact	1-10	<b>KL3453</b>		
PR / 1-10 NO SR 1/4 48	G1/4	Make contact	1-10	<b>KL3450</b>		

Protective cap can be turned 6 x 60°



View A  
without protective cap

Dimensions in mm