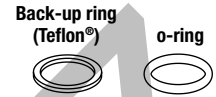


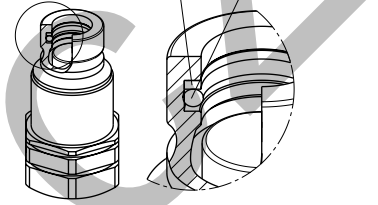


SPARE KIT SEAL FOR MALE

Repair kit / OR+BK			
Body Size	Description		Part Number
	OLD	NEW	
1/4"	M FIRG14	M FIRG7	815700519
3/8"	M FIRG38-12	M FIRG9	815700337
1/2"	M FIRG12A-34	M FIRG13	815700339
5/8"	M FIRG34B	M FIRG15	815700341
3/4"	M FIRG100-34A	M FIRG17	815700343
1"	M FIRG114	8M FIRG21	815700345
1-1/2"	M FIRG112	M FIRG30	815700521
2"	M FIRG200	M FIRG45	815700796



O-Ring in Nitrile
BackUp in Teflon®



PROTECTIVE CAPS FOR FIRG SERIES

Protective caps are always recommended to protect the couplings from damage, dirt inclusion, and will increase the product life. This is particularly important in mobile applications where exposure to weather and aggregate materials are common.

For the FIRG series are available three kind of materials:

- plastic caps with lanyard (standard color: red, other colors available upon request)
- aluminum caps with lanyard (standard colors: natural aluminum, other colors available upon request)
- plastic caps, clip system (standard color: red, other colors available upon request)

Cap for FEMALE coupling Plastic		Cap for MALE coupling Plastic		Protective Cap			
Body Size	Port Size	Description		Part number		Material/Color	
		OLD	NEW	Cap for Female	Cap for Male		
1/4"	1/4"	FIRG14	FIRG7	815100000	815100023	Plastic/Red	
3/8"	3/8"	FIRG38	FIRG9	815100002	815100025	Plastic/Red	
3/8"	1/2"	FIRG12	FIRG9	815100002	815100027	Plastic/Red	
1/2"	1/2"	FIRG12A	FIRG13	815100004	815100029	Plastic/Red	
1/2"	3/4"	FIRG34	FIRG13	815100006	815100031	Plastic/Red	
5/8"	3/4"	FIRG34B	FIRG15	815100008	815100011	Plastic/Red	
3/4"	3/4"	FIRG34A	FIRG17	815100010	815100013	Plastic/Red	
3/4"	1"	FIRG100	FIRG17	815100010	815100013	Plastic/Red	
1"	1-1/4"	FIRG114	FIRG114	815100012	815100015	Plastic/Red	

Cap for FEMALE coupling Aluminum		Cap for MALE coupling Aluminum		Protective Cap			
Body Size	Description	Part Number		Material/Color			
		OLD	NEW		Cap for Female	Cap for Male	
1/4"	FIRG14	FIRG7	816005002	816005003	Aluminum/Natural		
3/8"	FIRG38-12	FIRG9	816005004	816005005	Aluminum/Natural		
1/2"	FIRG12A-34	FIRG13	816005006	816005007	Aluminum/Natural		
3/4"	FIRG100-34A	FIRG17	816005010	816005011	Aluminum/Natural		
1"	FIRG114	FIRG21	816005012	816005013	Aluminum/Natural		
1-1/2"	FIRG112	FIRG30	815105014	815105017	Aluminum/Natural		
2"	FIRG200	FIRG45	815105016	815105019	Aluminum/Natural		

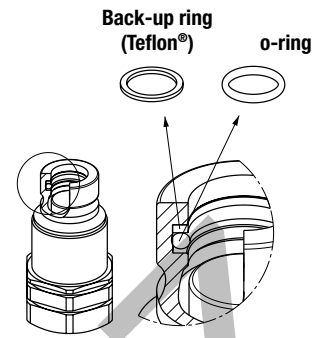
Flip cap for FEMALE coupling Plastic		Protective Cap			
Body Size	Description	Part Number		Material/Color	
		OLD	NEW		Cap for Female
3/8"	FIRG38-12	FIRG9	816005002	Aluminum/Natural	
1/2"	FIRG12A-34	FIRG13	816005004	Aluminum/Natural	
5/8"	FIRG34B	FIRG15	816005006	Aluminum/Natural	
3/4"	FIRG100-34A	FIRG17	816005010	Aluminum/Natural	



SPARE KIT SEAL FOR MALE

Repair kit / OR+BK		
Body Size	Description	Part Number
1/4"	MA7	815700519
3/8"	MA9	815700337
1/2"	MA13	815700339
5/8"	MA15	815700341
3/4"	MA17	815700343
1"	MA21	815700345
1 1/4"	MA25	815700693
1 1/2"	MA30	815700521

O-Ring in Nitrile
BackUp in Teflon®

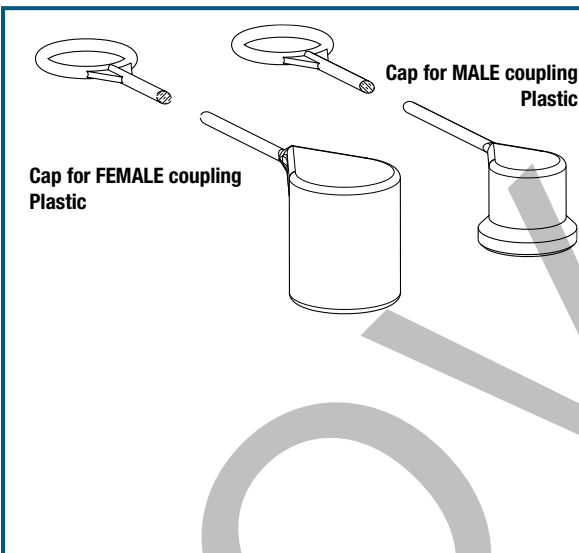


PROTECTIVE CAPS FOR A SERIES

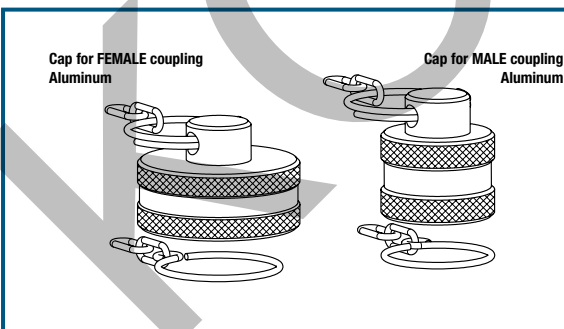
Protective caps are always recommended to protect the couplings from damage, dirt inclusion, and will increase the product life. This is particularly important in mobile applications where exposure to weather and aggregate materials are common.

For the A series are available three kind of materials:

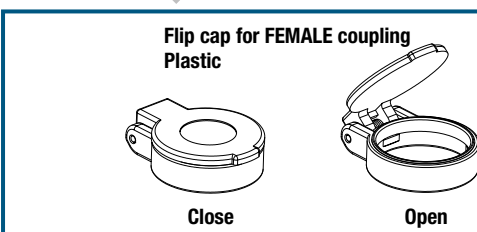
- plastic caps complete with lanyard (standard color: red, other colors available upon request)
- aluminum caps complete with lanyard (standard colors: natural aluminum, other colors available upon request)
- plastic caps, clip system (standard color: red, other colors available upon request)



Body Size	Port size	Description	Protective Cap		Material/Color
			Cap for Female	Cap for Male	
1/8"	1/8"	A4	-	815100021	Plastic/Red
1/4"	1/4"	A7	815100000	815100023	Plastic/Red
3/8"	3/8"	A9	815100002	815100027	Plastic/Red
3/8"	1/2"	A9	815100002	815100027	Plastic/Red
1/2"	1/2"	A13	815100006	815100031	Plastic/Red
1/2"	3/4"	A13	815100006	815100031	Plastic/Red
5/8"	3/4"	A15	815100008	815100011	Plastic/Red
5/8"	1"	A15	815100008	815100011	Plastic/Red
3/4"	3/4"	A17	815100010	815100013	Plastic/Red
3/4"	1"	A17	815100010	815100013	Plastic/Red
1"	3/4"	A21	815100012	815100015	Plastic/Red
1"	1"	A21	815100012	815100015	Plastic/Red
1"	1-1/4"	A21	815100012	815100015	Plastic/Red
1"	1-1/4"	A21	815100012	815100015	Plastic/Red



Body Size/Description	Protective Cap		Material/Color	
	Part Number	Part Number		
1/4"	A7	816005002	816005003	Aluminum/Natural
3/8"	A9	816005004	816005005	Aluminum/Natural
1/2"	A13	816005006	816005007	Aluminum/Natural
3/4"	A17	816005010	816005011	Aluminum/Natural
1"	A21	816005012	816005013	Aluminum/Natural
1 1/4"	A25	815205020	815205021	Aluminum/Natural
1 1/2"	A30	815105014	815105017	Aluminum/Natural



Body Size/Description	Protective Cap		Material/Color
	Part Number	Part Number	
3/8"	F A9	815200002	Plastic/Red
1/2"	F A13	815200004	Plastic/Red
5/8"	F A15	815200006	Plastic/Red
3/4"	F A17	815200008	Plastic/Red

Panel mounting

A-HD Series is available upon request also as panel mounting version.

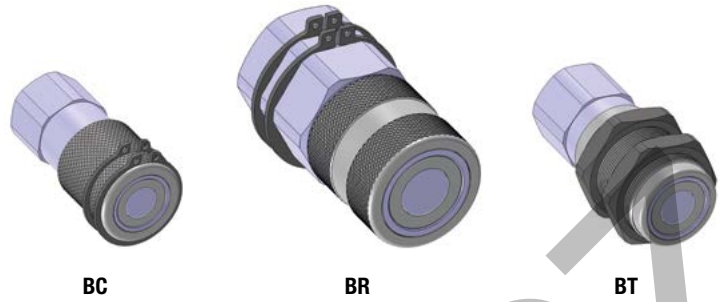
BC: Snap Ring Solution
Grooves on the female sleeve.

BR: Snap Ring Solution
Grooves on the female adaptor.

BT: Lock Ring Solution
Thread on the female body.

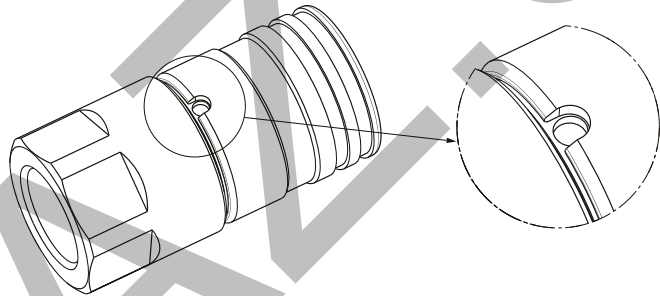
For specific codes, dimensions or any other information, please contact Stucchi Technical Support.

Using the BC and BT versions mounted on the panel, you obtain the breakaway function, avoiding damages of the hydraulic connections in case of strong axial force during unintended disconnection.


SS version

For specific cases, A-HD Series is available upon request without the safety lock ball.

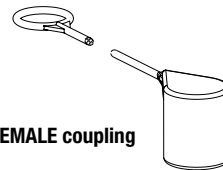
For additional information, please contact Stucchi Technical Support.


PROTECTIVE CAPS FOR A-HD SERIES

Protective caps are always recommended to protect the couplings from damage, dirt inclusion, and will increase the product life. This is particularly important in mobile applications where exposure to weather and aggregate materials are common.

The protective caps for A-HD couplings are manufactured in two versions:

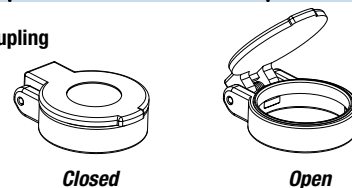
- Plastic with connection lanyard (standard color red, other colors available upon request).
- Plastic flip caps version (standard color red, other colors available upon request).



Cap for FEMALE coupling
Plastic

Body Size/Description		Part Number	Material/Color
		Protective Cap	
		Cap for Female	
3/8"	F A9HD	815100002	Plastic/Red
1/2"	F A13HD	815100004	Plastic/Red

Flip cap for FEMALE coupling
Plastic



Body Size/Description		Part Number	Material/Color
		Protective Cap	
		Cap for Female	
3/8"	A9HD	815200002	Plastic/Red
1/2"	A13HD	815200004	Plastic/Red

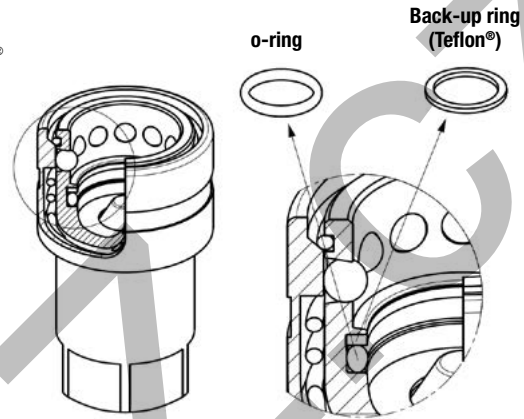




SPARE KIT SEAL FOR FEMALE

Repair kit / OR+BK		
Body Size	Description	Part Number
1/4"	F IP14D	815700924
3/8"	F IP38	815700926
1/2"	F IP12	815700928
3/4"	F IP34	815700930
1"	F IP100	815700932

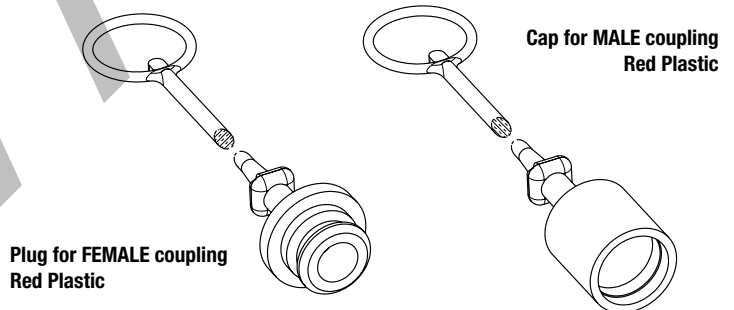
O-Ring in NBR
BackUp in Teflon®



PROTECTIVE CAPS FOR I-IP SERIES

Protective caps are always recommended to protect the couplings from damage, dirt inclusion, and will increase the product life. This is particularly important in agriculture applications where exposure to weather and aggregate materials are common.

The protective caps for I-IP series are manufactured in plastic with connection lanyard (standard color red, other colors available upon request). A flip cap version is also available for the size 1/2".



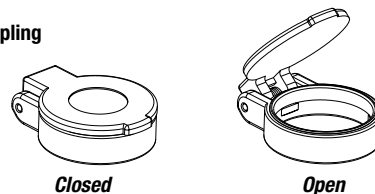
Plug for FEMALE coupling
Red Plastic

Cap for MALE coupling
Red Plastic

Body Size/Description	Protective Cap		Material/Color
	Plug for Female	Cap for Male	
3/8" IP38	815000014	815000015	Plastic/Red
1/2" IP12	815000004	815000005	Plastic/Red
3/4" IP34	815000016	815000017	Plastic/Red
1" IP100	815000018	815000019	Plastic/Red

Flip cap for FEMALE coupling

Plastic



Closed

Open

Body Size/Description	Protective Cap		Material/Color
	Plug for Female	Part Number	
1/2" IP12	815200004		Plastic/Red