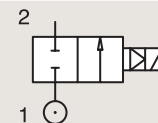


2/2 Normally Closed

BRASS PIPE MOUNTING

NORMALLY CLOSED



Port size	Orifice Ø	Flow factors		Operating Pressure Differential			Fluid Temp.		Seat Seal	Valve Order Number	Valve Type	Coil Group	Dwg. No.
		Kv l/min	KV m³/h	Min bar	Max(MOPD) AC bar	DC bar	Min °C	Max °C					
3/8"	13	50	3	0.1	20	20	-10	90	NBR	443776W	7321BIN00	2.0/2.1/2.2	1
	13	50	3	0.1	20	20	-10	90	NBR	443777W ₂	7321BIN01	2.0/2.1/2.2	1
	13	50	3	0.1	10	10	-10	140	EPDM	443778W ₁	7321BIH00	2.0/2.1/2.2	1
	13	50	3	0.1	20	20	-10	140	FKM	444492W	7321BIV00	2.0/2.1/2.2	1
1/2"	13	50	3	0.1	20	20	-10	90	NBR	443779W	7321BAN00	2.0/2.1/2.2	1
	13	50	3	0.1	20	20	-10	90	NBR	443780W ₂	7321BAN01	2.0/2.1/2.2	1
	13	50	3	0.1	10	10	-10	140	EPDM	443781W ₁	7321BAH00	2.0/2.1/2.2	1
	13	50	3	0.1	20	20	-10	140	FKM	444494W	7321BAV00	2.0/2.1/2.2	1
3/4"	20	140	8.4	0.1	20	20	-10	90	NBR	443782W	7321BCN00	2.0/2.1/2.2	2
	20	140	8.4	0.1	10	10	-10	90	NBR	443783W ₂	7321BCN01	2.0/2.1/2.2	2
	20	140	8.4	0.1	10	10	-10	140	EPDM	443785W ₁	7321BCH00	2.0/2.1/2.2	2
	20	140	8.4	0.1	20	20	-10	140	FKM	444497W	7321BCV00	2.0/2.1/2.2	2
1"	25	160	9.6	0.1	20	20	-10	90	NBR	443786W	7321BDN00	2.0/2.1/2.2	2
	25	160	9.6	0.1	10	10	-10	90	NBR	443787W ₂	7321BDN01	2.0/2.1/2.2	2
	25	160	9.6	0.1	10	10	-10	140	EPDM	443789W ₁	7321BDH00	2.0/2.1/2.2	2
	25	160	9.6	0.1	20	20	-10	140	FKM	443804W	7321BDV00	2.0/2.1/2.2	2
1 1/4"	35	420	25.2	0.1	10	10	-10	140	EPDM	443793W ₁	7321BEH00	2.0/2.1/2.2	3
	35	420	25.2	0.1	10	10	-10	90	NBR	443790W	7321BEN00	2.0/2.1/2.2	3
	35	420	25.2	0.1	5	5	-10	90	NBR	443791W ₂	7321BEN01	2.0/2.1/2.2	3
1 1/2"	40	500	30	0.1	10	10	-10	140	EPDM	443797W ₁	7321BFH00	2.0/2.1/2.2	3
	40	500	30	0.1	10	10	-10	90	NBR	443794W	7321BFN00	2.0/2.1/2.2	3
	40	500	30	0.1	5	5	-10	90	NBR	443795W ₂	7321BFN01	2.0/2.1/2.2	3
2"	50	620	37.2	0.1	10	10	-10	140	EPDM	443801W ₁	7321BGH00	2.0/2.1/2.2	3
	50	620	37.2	0.1	10	10	-10	90	NBR	443798W	7321BGN00	2.0/2.1/2.2	3
	50	620	37.2	0.1	5	5	-10	90	NBR	443799W ₂	7321BGN01	2.0/2.1/2.2	3

Notes:

1. Maximum pressure for steam: 4 bar (140 °C)
2. With manual override

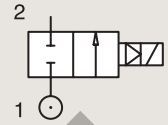
2/2 Normally Closed

With speed control

BRASS

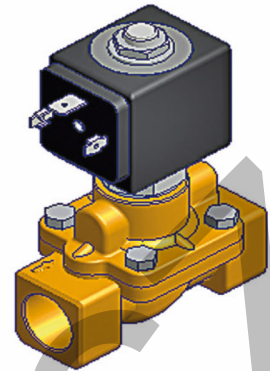
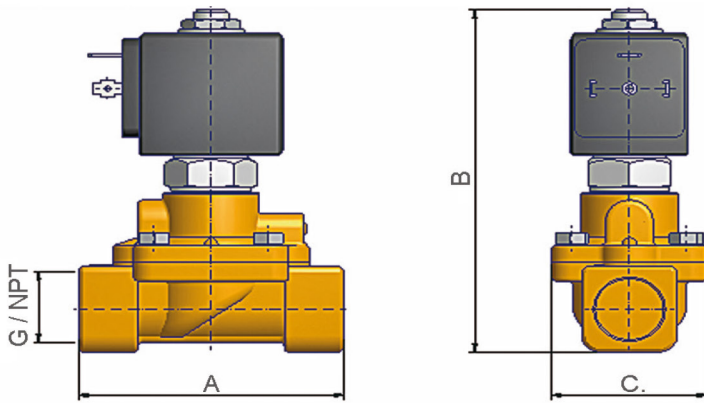
PIPE MOUNTING

NORMALLY CLOSED



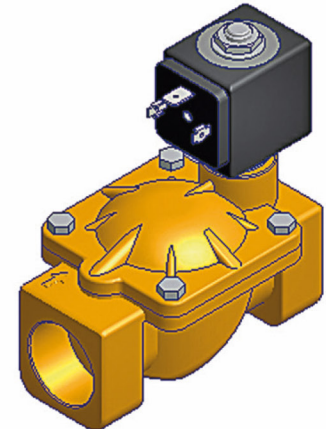
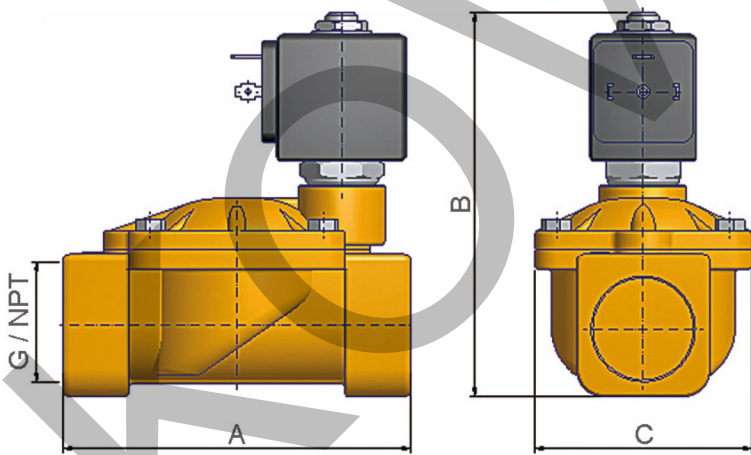
Port size	Orifice Ø	Flow factors		Operating Pressure Differential			Fluid Temp.		Seat Seal	Valve Order Number	Valve Type	Coil Group	Dwg. No.
		Kv	KV	Min	Max(MOPD)	Min	Max						
BSP	mm	l/min	m ³ /h	bar	AC bar	DC bar	°C	°C					
3/4"	20	140	8.4	0.1	10	10	-10	90	NBR	443784W	7321BCN02	2.0/2.1/2.2	3
1"	25	160	9.6	0.1	10	10	-10	90	NBR	443788W	7321BDN02	2.0/2.1/2.2	3
1 1/4"	35	420	25.2	0.1	5	5	-10	90	NBR	443792W	7321BEN02	2.0/2.1/2.2	2
1 1/2"	40	500	30	0.1	5	5	-10	90	NBR	443796W	7321BFN02	2.0/2.1/2.2	2
2"	50	620	37.2	0.1	5	5	-10	90	NBR	443800W	7321BGN02	2.0/2.1/2.2	2
2 1/2"	65	1100	66	0.2	10	10	-10	90	NBR	443802W	7321BLN02	2.0/2.1/2.2	4
3"	75	1334	80	0.2	10	10	-10	90	NBR	443803W	7321BMN02	2.0/2.1/2.2	4

Dimensional Drawings



Function	Connections		A		B		C	
	BSP	NPT	mm	inch	mm	inch	mm	inch
Normally Closed	3/8"		69	2.71	99.5	3.91	40	1.57
	1/2"		72	2.83	101.5	3.99	40	1.57
Normally Open	3/8"		69	2.71	110	4.33	40	1.57
	1/2"		72	2.83	112	4.41	40	1.57

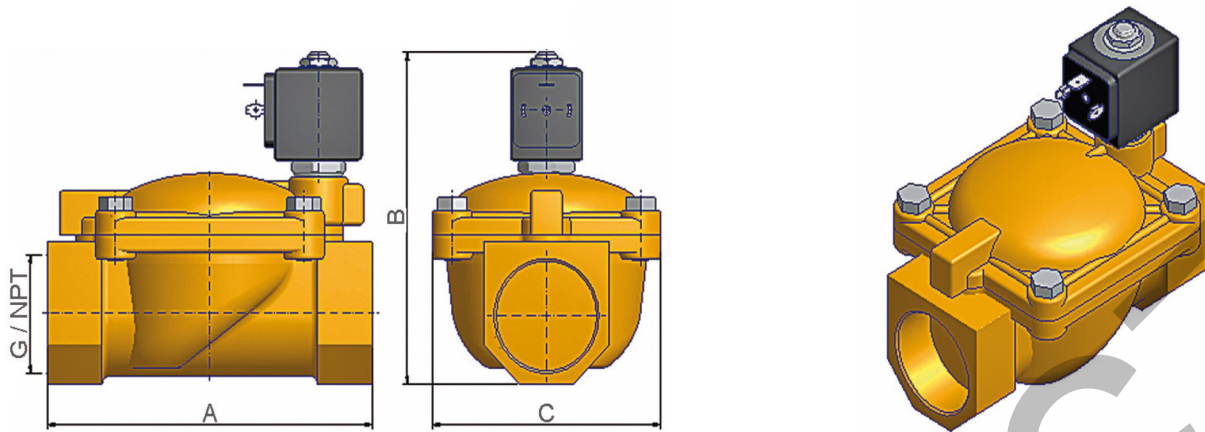
Dimensional Drawing 1



Function	Connections		A		B		C	
	BSP	NPT	mm	inch	mm	inch	mm	inch
Normally Closed	3/4"		100	3.83	107	4.21	65	2.55
	1"		104	4.09	112.5	4.42	65	2.55
Normally Open	3/4"		100	3.83	117.5	4.62	65	2.55
	1"		104	4.09	123	4.84	65	2.55

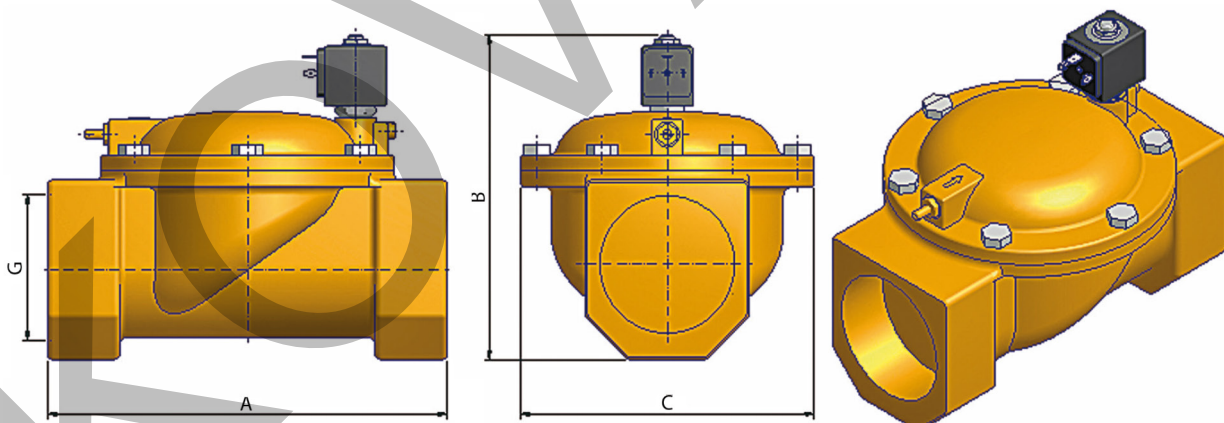
Dimensional Drawing 2

Dimensional Drawings



Function	Connections		A		B		C	
	BSP	NPT	mm	inch	mm	inch	mm	inch
Normally Closed	1 1/4"		145	5.70	134	5.27	102	4.01
	1 1/2"		145	5.70	134	5.27	102	4.01
	2"		173	6.81	148	5.82	118	4.64
Normal Open	1 1/4"		145	5.70	144.5	5.68	102	4.01
	1 1/2"		145	5.70	134	5.27	102	4.01
	2"		173	6.81	148	5.82	118	4.64

Dimensional Drawing 3



Function	Connections	A		B		C	
		mm	inch	mm	inch	mm	inch
Normally Closed	2 1/2"	245	9.64	195	7.67	184	7.24
	3"	250	9.84	195	7.67	184	7.24
Normally Open	2 1/2"	245	9.64	205	8.07	184	7.24
	3"	245	9.64	205	8.07	184	7.24

Dimensional Drawing 4