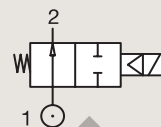


2/2 Normally Open

BRASS

PIPE MOUNTING

NORMALLY OPEN

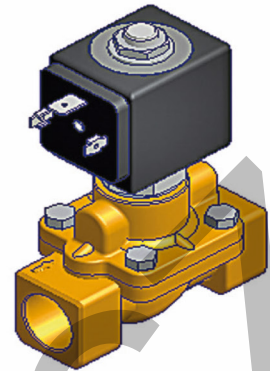
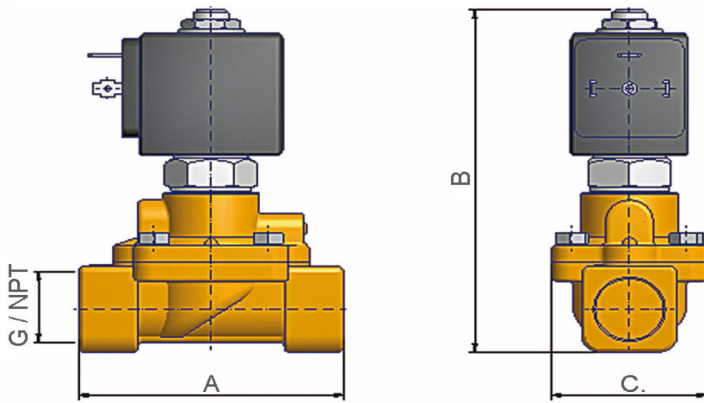


Port size	Orifice Ø	Flow factors		Operating Pressure Differential			Fluid Temp.		Seat Seal	Valve Order Number	Valve Type	Coil Group	Dwg. No.
		Kv l/min	KV m³/h	Min bar	Max(MOPD) AC bar	DC bar	Min °C	Max °C					
3/8"	13	50	3	0.1	20	20	-10	90	NBR	443805W	7322BIN00	2.0/2.1/2.2	1
	13	50	3	0.1	10	10	-10	140	EPDM	444600W ₁	7322BIH00	2.0/2.1/2.2	1
	13	50	3	0.1	20	20	-10	140	FKM	444499W	7322BIV00	2.0/2.1/2.2	1
1/2"	13	50	3	0.1	20	20	-10	90	NBR	443806W	7322BAN00	2.0/2.1/2.2	1
	13	50	3	0.1	10	10	-10	140	EPDM	444601W ₁	7322BAH00	2.0/2.1/2.2	1
	13	50	3	0.1	20	20	-10	140	FKM	444500W	7322BAV00	2.0/2.1/2.2	1
3/4"	20	140	8.4	0.1	20	20	-10	90	NBR	443807W	7322BCN00	2.0/2.1/2.2	3
	20	140	8.4	0.1	10	10	-10	140	EPDM	444602W ₁	7322BCH00	2.0/2.1/2.2	3
1"	25	160	9.6	0.1	20	20	-10	90	NBR	443808W	7322BDN00	2.0/2.1/2.2	3
	25	160	9.6	0.1	10	10	-10	140	EPDM	444603W ₁	7322BDH00	2.0/2.1/2.2	3
	25	160	9.6	0.1	20	20	-10	140	FKM	444502W	7322BDV00	2.0/2.1/2.2	3
1 1/4"	35	420	25.2	0.1	10	10	-10	90	NBR	443809W	7322BEN00	2.0/2.1/2.2	2
	35	420	25.2	0.1	10	10	-10	140	EPDM	444576W ₁	7322BEH00	2.0/2.1/2.2	2
1 1/2"	40	500	30	0.1	10	10	-10	90	NBR	443810W	7322BFN00	2.0/2.1/2.2	2
	40	500	30	0.1	10	10	-10	140	EPDM	444604W ₁	7322BFH00	2.0/2.1/2.2	2
2"	50	620	37.2	0.1	10	10	-10	90	NBR	443811W	7322BGN00	2.0/2.1/2.2	2
	50	620	37.2	0.1	10	10	-10	140	EPDM	444605W ₁	7322BGH00	2.0/2.1/2.2	2
2 1/2"	65	1100	66	0.2	10	10	-10	90	NBR	444513W ₂	7322BLN06	2.0/2.1/2.2	4
3"	75	1334	80	0.2	10	10	-10	90	NBR	444503W ₂	7322BMN06	2.0/2.1/2.2	4

Notes:

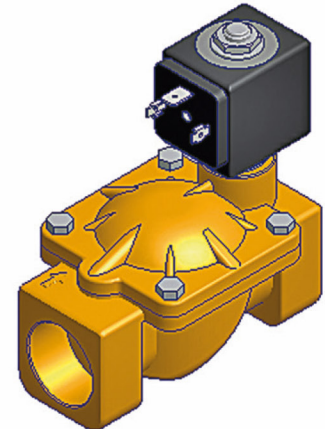
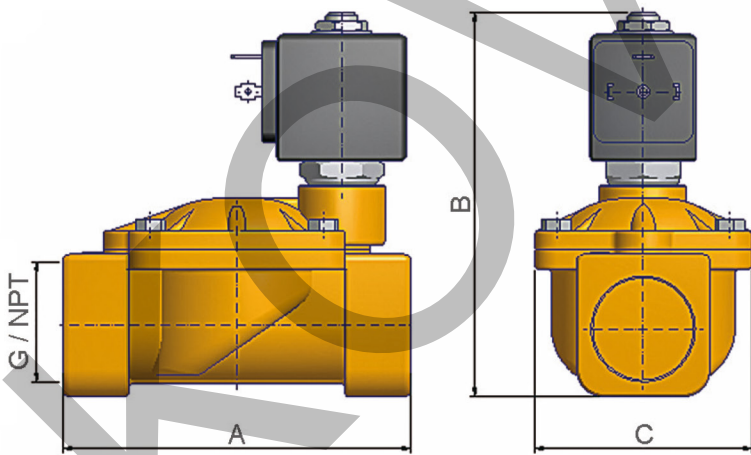
1. Maximum pressure for steam: 4 bar (140 °C)
2. Speed Control

Dimensional Drawings



Function	Connections		A		B		C	
	BSP	NPT	mm	inch	mm	inch	mm	inch
Normally Closed	3/8"		69	2.71	99.5	3.91	40	1.57
	1/2"		72	2.83	101.5	3.99	40	1.57
Normally Open	3/8"		69	2.71	110	4.33	40	1.57
	1/2"		72	2.83	112	4.41	40	1.57

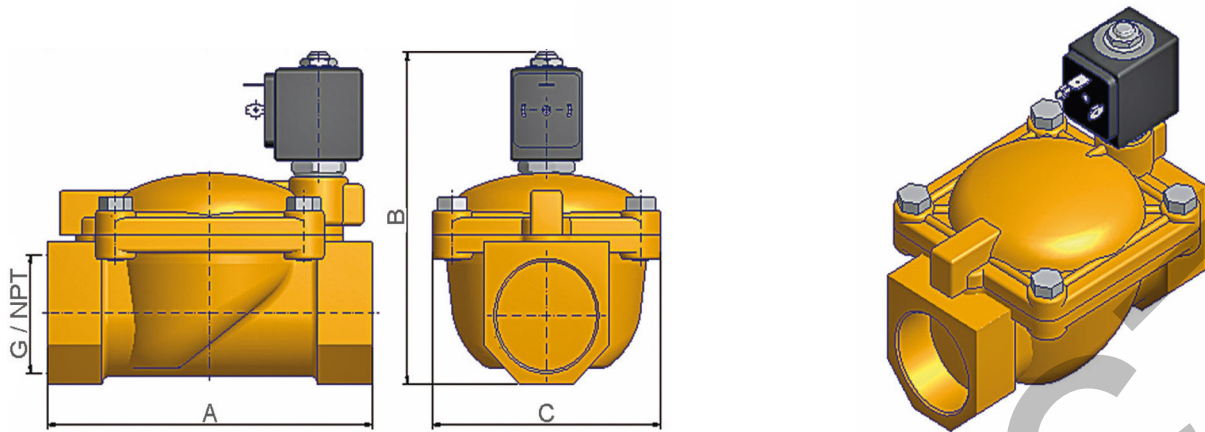
Dimensional Drawing 1



Function	Connections		A		B		C	
	BSP	NPT	mm	inch	mm	inch	mm	inch
Normally Closed	3/4"		100	3.83	107	4.21	65	2.55
	1"		104	4.09	112.5	4.42	65	2.55
Normally Open	3/4"		100	3.83	117.5	4.62	65	2.55
	1"		104	4.09	123	4.84	65	2.55

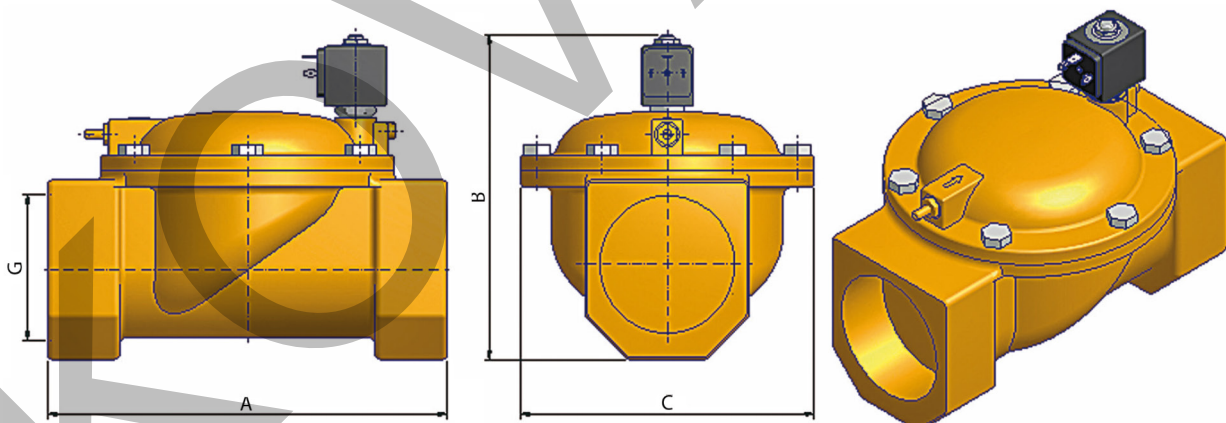
Dimensional Drawing 2

Dimensional Drawings



Function	Connections		A		B		C	
	BSP	NPT	mm	inch	mm	inch	mm	inch
Normally Closed	1 1/4"		145	5.70	134	5.27	102	4.01
	1 1/2"		145	5.70	134	5.27	102	4.01
	2"		173	6.81	148	5.82	118	4.64
Normal Open	1 1/4"		145	5.70	144.5	5.68	102	4.01
	1 1/2"		145	5.70	134	5.27	102	4.01
	2"		173	6.81	148	5.82	118	4.64

Dimensional Drawing 3



Function	Connections	A		B		C	
		mm	inch	mm	inch	mm	inch
Normally Closed	2 1/2"	245	9.64	195	7.67	184	7.24
	3"	250	9.84	195	7.67	184	7.24
Normally Open	2 1/2"	245	9.64	205	8.07	184	7.24
	3"	245	9.64	205	8.07	184	7.24

Dimensional Drawing 4