

Suction fittings for series F1, F2, F3, F4 and T1 pumps also VP1-095, -110 and -130

NOTE: A suction fitting must be ordered separately (not included with the pump).
To choose the correct dimension of suction connection, see page 14 ff.

Suctions fittings for VP1-045/075 see page 57.
'Straight' suction fittings for F1, T1, F2, F3, F4, VP1-095/-110/-130

Ordering no.	A mm	B mm	ØC dia. mm (in.)
378 0635 ¹⁾	0	85	38 (1½")
378 0636 ²⁾	17	136	50 (2")
378 0637 ³⁾	25	145	63 (2½")
378 3523 ³⁾	32	174	75 (3")

45° suction fittings for F1, T1, F2, F3, F4 VP1-095/-110/-130

Ordering no.	A mm	B mm	ØC dia. mm (in.)
378 1234 ¹⁾	60	104	32 (1¼")
378 0633 ¹⁾	60	104	38 (1½")
378 0364 ²⁾	67	110	50 (2")
378 0634 ³⁾	75	117	63 (2½")
378 3367 ³⁾	95	138	75 (3")
378 1062	67	110	40
378 0975	67	110	45

90° suction fittings for F1, T1, F2, F3, F4 VP1-095/-110/-130

Ordering no.	A mm	B mm	ØC dia. mm (in.)
378 0978 ¹⁾	126	83	38 (1½")
378 0979 ²⁾	135	83	50 (2")
378 1980 ³⁾	147	83	63 (2½")
378 0976	135	83	45
378 8690 ³⁾	185	83	75 (3")

145° suction fitting for F1, T1, F2, F3, F4 VP1-095/-110/-130

Ordering no.	A mm	B mm	ØC dia. mm (in.)
378 1867	165	73	50 (2")

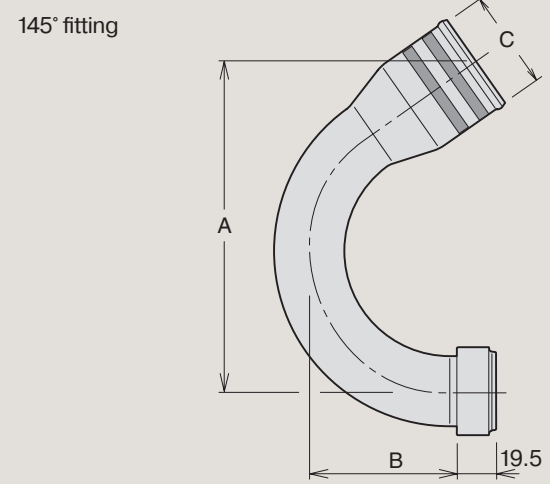
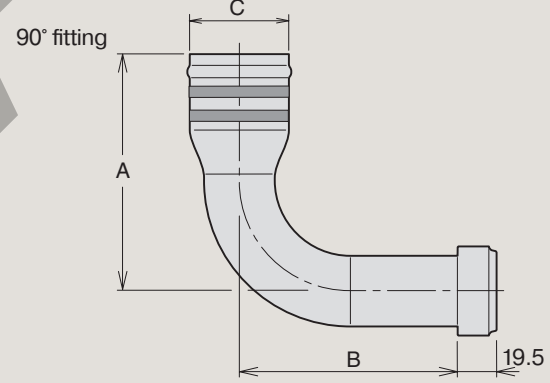
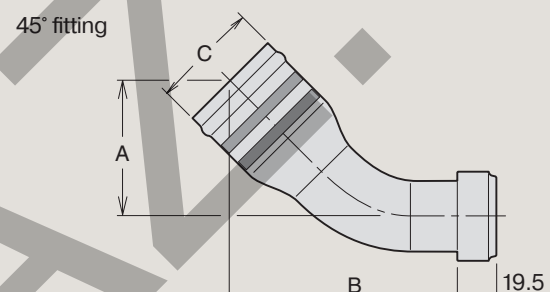
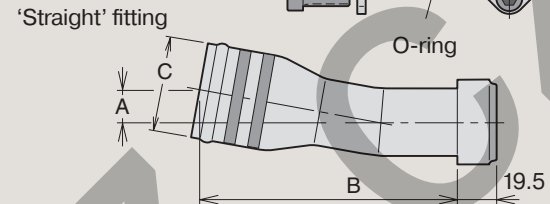
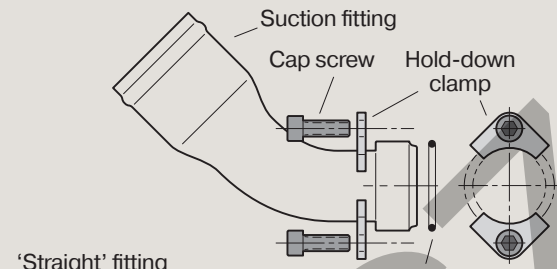
1) Recommended for frame size F1-25.
2) Recommended for frame size F1-41,-51,-61,-81, -101.
3) (3 clamps and 3 screws)

Spare parts

Additional Hold-down-clamp kit consists of:
hold-down-clamp cap screw and O-ring
Ordering no. 378 1321

Additional Hold-down-clamp kit for mounting on BPV
Ordering no. 378 2439

A 'suction fitting' consists of a straight, 45°, 90° or 135° suction fitting, clamps, cap screws and O-ring.



Suitable suction fittings for F1 and VP1-045/-060/-075 with BSP port treads

NOTE: A suction fitting must be ordered separately (not included with the pump).
To choose the correct dimension of suction connection, see page 14 ff.

45° suction fittings

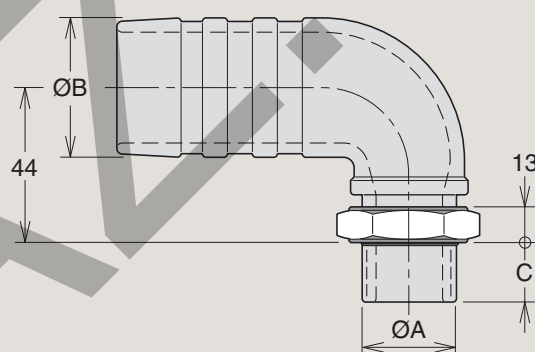
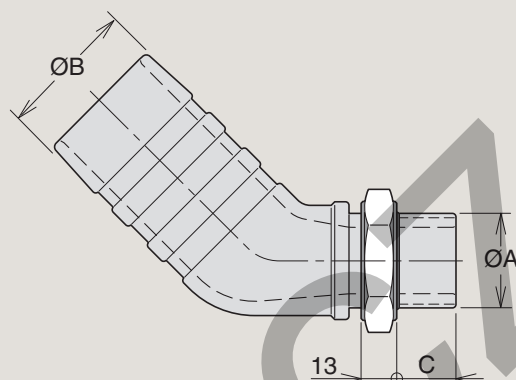
Ordering no.	ØA	ØB inch	C mm
00509035016	BSP 1" ¹⁾	2"	18
00509035116	BSP 1 1/4"	2"	18
00509021916	BSP 1 1/4"	2 1/2"	18

¹⁾ Not for VP1-045/-060/-075

90° suction fittings

Ordering no.	ØA	ØB inch	C mm
00509034516	BSP 1" ¹⁾	2"	18
00509034616	BSP 1 1/4"	2"	18

¹⁾ Not for VP1-045/-060/-075



Fitting kits for VP1-045/-060/-075 pumps

Kits with 45° suction fitting

Order no.	C ₁	ØC ₂ inch	A mm	B mm
379 9563	BSP 3/4"	2"	71	154
379 9562	BSP 1" *	2 3/2"	64	147

* Above 100 l/min

