

VD SERIES

INTERCHANGE > ISO 14541



Stucchi®



TECHNICAL FEATURES AND OPTIONS

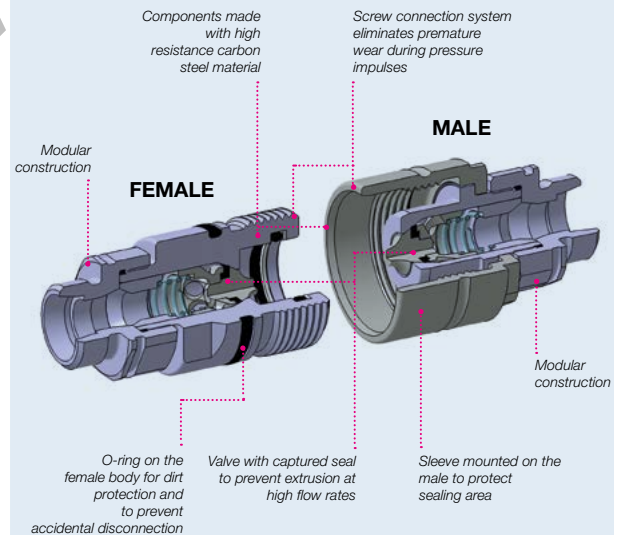
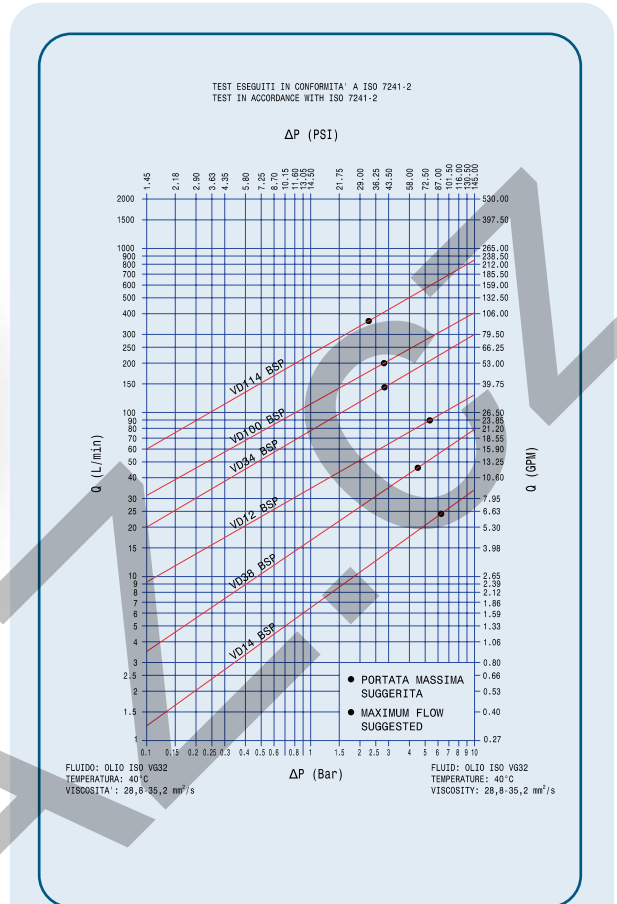
Interchange ISO 14541	Sealing description Nitrile NBR	Connection system Screw
Available sizes from 1/4" to 1-1/4"	Material/treatment Carbon steel /Cr3	Available threads BSP - METRIC
Operating pressure Up to 450 bar	Locking mechanism Screw to connect	Flow rate Up to 378 l/min
Temperature (°C) -20°C / +100°C	Valving style Poppet	Connection under pressure Connection: one side Disconnection: not allowed

BENEFITS

- Connection is allowed with residual pressure in one side of the coupling (max 10 MPa in one side).
- The poppet valve with elastomer seal provides maximum sealing of the couplings when disconnected.
- Shape of internal parts is designed to reduce turbulence and pressure drop.
- The modular design allows for broad range of port configurations.
- External o-ring indicates if the product is fully connected, prevent accidental disconnection and protect coupling against dirt.
- Male body sealing surface protected by the threaded sleeve.
- High resistance to pressure impulses.
- Compact design.
- Simple to use.

HOW TO USE

- Before to connect, clean the mating surface of the couplings to avoid dirt inclusion in the circuit.
- To connect insert the male coupling in the female coupling, screw the sleeve till its positive stop, do not push together the couplings, screw only.
- The use of tools for the second part of the connection can be necessary if there is high residual pressure in the circuit.
- Check that the external O-ring is fully covered.
- To disconnect unscrew totally the sleeve from the female coupling.



MAIN APPLICATIONS



POPET SCREW

PERFORMANCES

Size		Series/Size	BG	Max. flow suggested		Manual connect torque*		Manual disconnect torque*		Spillage**
in	mm (ISO)			l/min	gpm	Nm	lbf ft	Nm	lbf ft	ml
1/4	6,3	VD14	1	24	6,36	0,8	0,59	0,5	0,37	0,7
3/8	10	VD38	2	46	12,19	1,0	0,74	0,5	0,37	1
1/2	12,5	VD12	3	90	23,85	1,5	1,11	1,2	0,88	3
3/4	20	VD34	4	148	39,22	2,5	1,84	2,2	1,62	5
1	-	VD100	6	200	53,00	2,7	1,99	2,2	1,62	14
1-1/4	-	VD114	8	378	100,17	5,0	3,69	5,0	3,69	51

Size	Series/Size	Max. operating pressure						Burst pressure					
		Coupled		Male		Female		Coupled		Male		Female	
in		MPa	psi	MPa	psi	MPa	psi	MPa	psi	MPa	psi	MPa	psi
1/4	VD14	45	6525	45	6525	45	6525	160	17400	140	20300	160	20300
3/8	VD38	45	6525	45	6525	45	6525	140	17400	120	17400	140	17400
1/2	VD12	40	5800	40	5800	40	5800	140	17400	120	17400	120	17400
3/4	VD34	40	5800	40	5800	40	5800	100	17400	100	14500	100	17400
1	VD100	30	4350	30	4350	30	4350	100	14500	100	14500	100	14500
1-1/4	VD114	30	4350	30	4350	30	4350	100	14500	100	14500	100	14500

* Connect torque and disconnect torque without residual pressure. The torque will increase as internal residual pressure increases.

** Spillage is an indicative value of the fluid loss during disconnection (according to ISO norm test method).

Different possible configurations:

Different threads available upon request.

For size 1" and 1-1/4" standard external sleeve is hexagonal; external sleeve rounded with knurling is available upon request.

Temperature range:

Standard seals NBR (Nitrile): from -20 °C to +100 °C (from -4 °F to +212 °F). Please read carefully Instructions and warnings for proper selection of the products.

Tests performed:

The couplings have been tested at maximum operating pressure for 500.000 impulses according to ISO norm test method.

WARNING

A defect, a wrong choice or an improper use of products, can cause injury to persons, animals and objects.

Never connect or disconnect with dynamic pressure (e.g. pump on).

Do not couple-uncouple with flow in the circuit.

Do not couple-uncouple when the temperature inside of the circuit is higher than 80 °C (176 °F).

Do not use the coupling disconnected with high impulse pressure.

Connect under pressure products are suitable to be connected under residual (static) pressure.

Connection with residual pressure (pressure trapped in the circuit) allowed with other side coupling to drain.

Check the maximum allowable working pressure of the port in use.

Make sure that the medium used is compatible with seal and material as indicated for each series.

In case of doubt please contact Stucchi Technical Support.

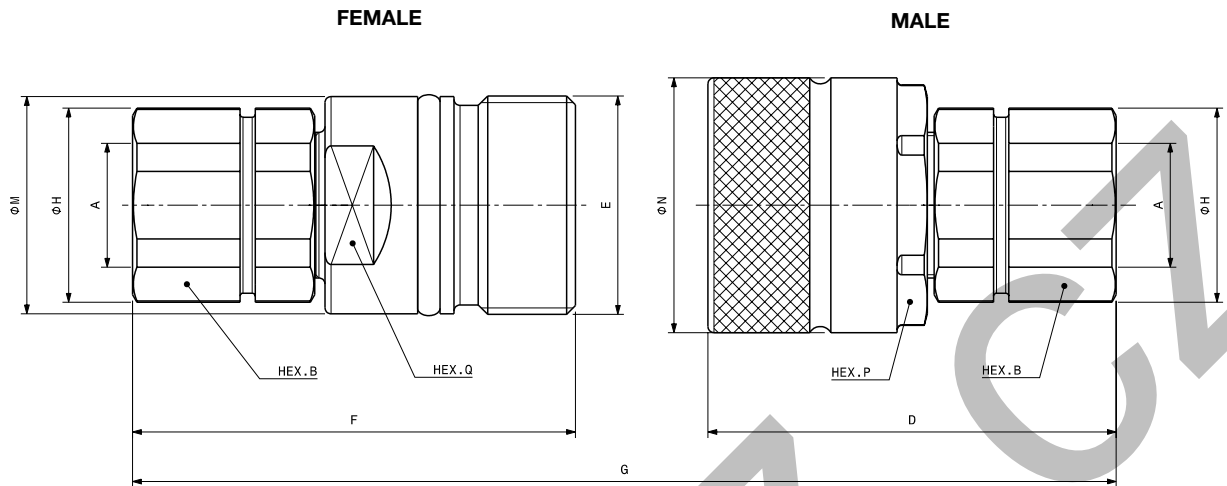
The interchangeability is mentioned under the assumption that the manufacturer of the considered products has not changed any dimension.

It is mandatory to carefully read and closely follow the instructions before selecting or using any Stucchi products.

Always refer to the version uploaded in the Instructions and warning section of stucchigroup.com website for the latest release.

For specific, product-related, instructions, please contact Stucchi technical service.

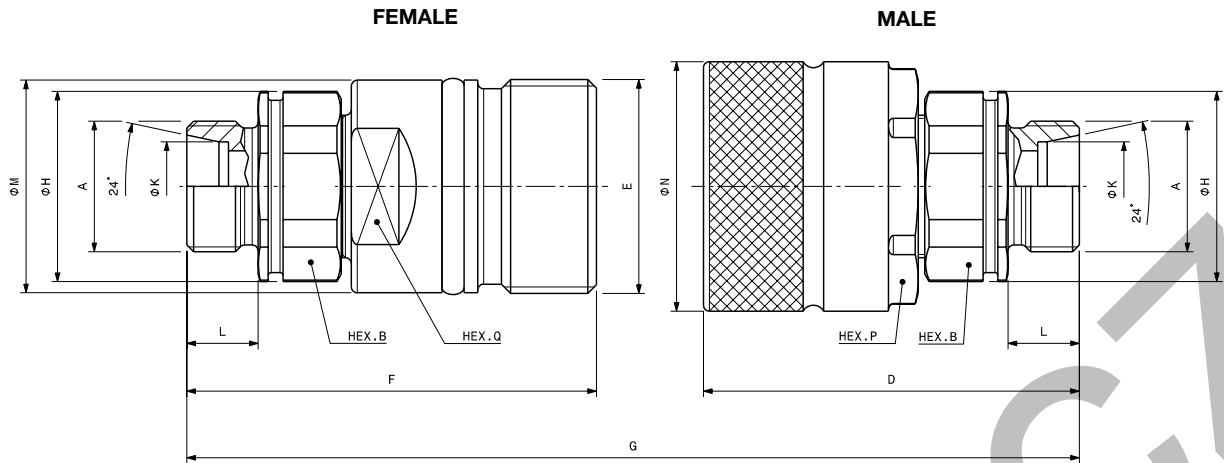
OVERALL DIMENSIONS



Port description: FEMALE THREAD BSPP (ISO 1179-1)

BODY SIZE	Descriptive Code	Item Code	ISO DN	BG	PORT (A)	E	Overall Length		Length		Hex		Diameter		Hex		Diameter		Weight							
							mm	in	mm	in	mm	in	mm	in	mm	in	mm	in	kg	lb						
1/4"	F VD14 BSP	Female 809500006	6,3	1	1/4"	M24X2	G	94,5	3,72	F	61,7	2,44	B	19,0	0,75	M	23,8	0,94	Q	22,0	0,87	H	21,0	0,83	0,13	0,28
	M VD14 BSP	Male 809500007								D	58,5	2,31	N	30,0	1,18	P	27,0	1,06	N	30,0	1,18	H	21,0	0,83	0,14	0,31
3/8"	F VD38-14 BSP	Female 809500008	10	2	1/4"	M28X2	G	99,0	3,90	F	64,3	2,53	B	22,0	0,87	M	27,8	1,09	Q	24,0	0,94	H	24,0	0,94	0,19	0,41
	M VD38-14 BSP	Male 809500009								D	61,5	2,43	N	34,0	1,34	P	30,0	1,18	N	34,0	1,34	H	24,0	0,94	0,19	0,41
3/8"	F VD38 BSP	Female 809500010	10	2	3/8"	M28X2	G	105,0	4,13	F	67,3	2,65	B	22,0	0,87	M	27,8	1,09	Q	24,0	0,94	H	24,0	0,94	0,19	0,18
	M VD38 BSP	Male 809500011								D	64,5	2,55	N	34,0	1,34	P	30,0	1,18	N	34,0	1,34	H	24,0	0,94	0,19	0,41
1/2"	F VD12-38 BSP	Female 809500000	12,5	3	3/8"	M36X2	G	102,6	4,04	F	68,0	2,68	B	30,0	1,18	M	35,8	1,41	Q	30,0	1,18	H	32,0	1,26	0,35	0,77
	M VD12-38 BSP	Male 809500001								D	62,3	2,45	N	42,0	1,65	P	36,0	1,42	N	42,0	1,65	H	32,0	1,26	0,30	0,66
1/2"	F VD12 BSP	Female 809500002	12,5	3	1/2"	M36X2	G	112,6	4,43	F	73,0	2,87	B	30,0	1,18	M	35,8	1,41	Q	30,0	1,18	H	32,0	1,26	0,34	0,74
	M VD12 BSP	Male 809500003								D	67,3	2,65	N	42,0	1,65	P	36,0	1,42	N	42,0	1,65	H	32,0	1,26	0,29	0,63
3/4"	F VD34-12 BSP	Female 809500014	20	4	1/2"	M42X2	G	117,5	4,63	F	79,4	3,13	B	36,0	1,42	M	41,8	1,65	Q	36,0	1,42	H	40,0	1,57	0,54	1,19
	M VD34-12 BSP	Male 809500015								D	69,9	2,76	N	49,5	1,89	P	46,0	1,81	N	49,5	1,89	H	40,0	1,57	0,48	1,05
3/4"	F VD34 BSP	Female 809500016	20	4	3/4"	M42X2	G	129,3	5,09	F	85,3	3,36	B	36,0	1,42	M	41,8	1,65	Q	36,0	1,42	H	40,0	1,57	0,55	1,21
	M VD34 BSP	Male 809500017								D	75,8	2,99	N	49,5	1,89	P	46,0	1,81	N	49,5	1,89	H	40,0	1,57	0,43	0,95
1"	F VD100-34 BSP	Female 809500018	25	6	3/4"	48X3 SP*	G	139,7	5,50	F	95,5	3,76	B	41,0	1,61	M	47,8	1,88	Q	41,0	1,61	H	45,0	1,77	0,75	1,64
	M VD100-34 BSP	Male 809500019								D	79,0	3,11	N	60 CH 55**	2,36 CH2.16**	P	55,0	2,16	N	60 CH 55**	2,36 CH2.16**	H	45,0	1,77	0,65	1,43
1"	F VD100 BSP	Female 809500020	25	6	1"	48X3 SP*	G	150,7	5,93	F	101,0	3,98	B	41,0	1,61	M	47,8	1,88	Q	41,0	1,61	H	45,0	1,77	0,74	1,63
	M VD100 BSP	Male 809500021								D	84,5	3,33	N	60 CH 55**	2,36 CH2.16**	P	55,0	2,16	N	60 CH 55**	2,36 CH2.16**	H	45,0	1,77	0,64	1,41
1-1/4"	F VD114 BSP	Female 809500022	31,5	8	1-1/4"	70X3 SP*	G	189,0	7,44	F	117,2	4,61	B	55,0	2,17	M	68,5	2,70	Q	65,0	2,56	H	61,0	2,40	1,70	3,74
	M VD114 BSP	Male 809500023								D	121,0	4,76	N	85 CH80**	3,35 - CH3,15**	P	80,0	3,15	N	85 CH80**	3,35 - CH3,15**	H	61,0	2,40	2,48	5,46
1-1/4"	F VD114-112 BSP	Female 809500024	31,5	8	1-1/2"	70X3 SP*	G	201,0	7,91	F	123,2	4,85	B	55,0	2,17	M	68,5	2,70	Q	65,0	2,56	H	61,0	2,40	1,66	3,66
	M VD114-112 BSP	Male 809500025								D	127,0	5,00	N	85 CH80**	3,35 - CH3,15**	P	80,0	3,15	N	85 CH80**	3,35 - CH3,15**	H	61,0	2,40	2,44	5,38

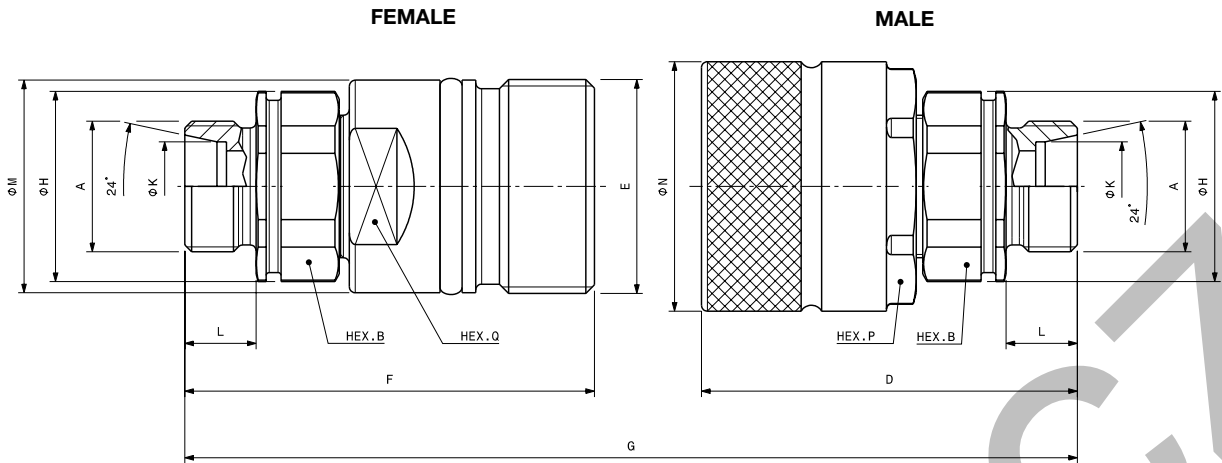
*SP = SPECIAL THREAD
**HEXAGON SLEEVE



Port description: MALE THREAD METRIC L – 24° CONE (ISO 8434-1 & DIN 2353)

BODY SIZE	Descriptive Code	Item Code	ISO DN	BG	PORT (A)	E	Overall Length	Length		Length		Hex		Diameter		Diameter		Hex		Diameter		Weight										
								mm	in	mm	in	mm	in	mm	in	mm	in	mm	in	mm	in	mm	in	mm	in	kg	lb					
1/4"	F VD14 L8	Female 809508012	6,3	1	M14X1	M24X2	G	90,5	3,56	F	59,7	2,36	L	10,0	0,39	B	19,0	0,75	K	8,0	0,31	M	23,8	0,94	O	22,0	0,87	H	21,0	0,83	0,10	0,046
	D	56,5								2,23	N	30,0										1,18	P	27,0								
3/8"	F VD38 L8	Female 809508014	10	2	M14X1.5	M28X2	G	93,0	3,66	F	61,3	2,41	L	10,0	0,39	B	22,0	0,87	K	8,0	0,31	M	27,8	1,09	O	24,0	0,94	H	24,0	0,94	0,16	0,070
	D	58,5								2,31	N	34,0										1,34	P	30,0								
3/8"	F VD38 L10	Female 809508016	10	2	M16X1.5	M28X2	G	95,0	3,74	F	62,3	2,45	L	11,0	0,43	B	22,0	0,87	K	10,0	0,39	M	27,8	1,09	O	24,0	0,94	H	24,0	0,94	0,17	0,07
	D	59,5								2,35	N	34,0										1,34	P	30,0								
3/8"	F VD38 L12	Female 809508018	10	2	M18X1.5	M28X2	G	95,0	3,74	F	62,3	2,45	L	11,0	0,43	B	22,0	0,87	K	12,0	0,47	M	27,8	1,09	O	24,0	0,94	H	24,0	0,94	0,14	0,06
	D	59,5								2,35	N	34,0										1,34	P	30,0								
1/2"	F VD12 L8	Female 809508002	12,5	3	M14X1.5	M36X2	G	100,6	3,96	F	67,0	2,64	L	10,0	0,39	B	30,0	1,18	K	8,0	0,31	M	35,8	1,41	O	30,0	1,18	H	32,0	1,26	0,26	0,12
	D	61,3								2,41	N	42,0										1,65	P	36,0								
1/2"	F VD12 L10	Female 809508006	12,5	3	M16X1.5	M36X2	G	102,6	4,04	F	68,0	2,68	L	11,0	0,43	B	30,0	1,18	K	10,0	0,39	M	35,8	1,41	O	30,0	1,18	H	32,0	1,26	0,30	0,13
	D	62,3								2,45	N	42,0										1,65	P	36,0								
1/2"	F VD12 L12	Female 809508000	12,5	3	M18X1.5	M36X2	G	102,6	4,04	F	68,0	2,68	L	11,0	0,43	B	30,0	1,18	K	12,0	0,47	M	35,8	1,41	O	30,0	1,18	H	32,0	1,26	0,26	0,12
	D	62,3								2,45	N	42,0										1,65	P	36,0								
1/2"	F VD12 L15	Female 809508004	12,5	3	M22X1.5	M36X2	G	104,6	4,12	F	69,0	2,72	L	12,0	0,47	B	30,0	1,18	K	15,0	0,59	M	35,8	1,41	O	30,0	1,18	H	32,0	1,26	0,26	0,12
	D	63,3								2,49	N	42,0										1,65	P	36,0								
1/2"	F VD12 L18	Female 809508008	12,5	3	M26X1.5	M36X2	G	104,6	4,12	F	69,0	2,72	L	12,0	0,47	B	30,0	1,18	K	18,0	0,71	M	35,8	1,41	O	30,0	1,18	H	32,0	1,26	0,27	0,12
	D	63,3								2,49	N	42,0										1,65	P	36,0								
3/4"	F VD34 L12	Female 809508022	20	4	M18X1.5	M42X2	G	116,5	4,59	F	78,9	3,11	L	11,0	0,43	B	36,0	1,42	K	12,0	0,47	M	41,8	1,65	O	36,0	1,42	H	40,0	1,57	0,40	0,18
	D	69,4								2,74	N	49,5										1,95	P	46,0								
3/4"	F VD34 L15	Female 809508024	20	4	M22X1.5	M42X2	G	118,5	4,67	F	79,9	3,15	L	12,0	0,47	B	36,0	1,42	K	15,2	0,60	M	41,8	1,65	O	36,0	1,42	H	40,0	1,57	0,40	0,18
	D	70,4								2,78	N	49,5										1,95	P	46,0								
3/4"	F VD34 L18	Female 809508026	20	4	M26X1.5	M42X2	G	120,5	4,74	F	80,9	3,19	L	12,0	0,47	B	36,0	1,42	K	18,2	0,72	M	41,8	1,65	O	36,0	1,42	H	40,0	1,57	0,41	0,18
	D	71,4								2,81	N	49,4										1,89	P	46,0								
3/4"	F VD34 L22	Female 809508028	20	4	M30X2	M42X2	G	122,5	4,82	F	81,9	3,23	L	14,0	0,55	B	36,0	1,42	K	22,0	0,87	M	41,8	1,65	O	36,0	1,42	H	40,0	1,57	0,41	0,18
	D	72,4								2,85	N	49,5										1,95	P	46,0								
1"	F VD100 L18	Female 809508030	25	6	M26X1.5	Rd 48X3 SP*	G	138,7	5,46	F	95,0	3,74	L	12,0	0,47	B	41,0	1,61	K	18,0	0,71	M	47,8	1,88	O	41,0	1,61	H	45,0	1,77	0,70	0,32
	D	78,5								3,09	N	60 CH 55**										2,36 CH2,16**	P	55,0								
1"	F VD100 L22	Female 809508032	25	6	M30X2	Rd 48X3 SP*	G	142,7	5,62	F	97,0	3,82	L	14,0	0,55	B	41,0	1,61	K	22,2	0,87	M	47,8	1,88	O	41,0	1,61	H	45,0	1,77	0,70	0,32
	D	80,5								3,17	N	60 CH 55**										2,36 CH2,16**	P	55,0								
1"	F VD100 L28	Female 809508034	25	6	M36X2	Rd 48X3 SP*	G	142,7	5,62	F	97,0	3,82	L	14,0	0,55	B	41,0	1,61	K	28,2	1,11	M	47,8	1,88	O	41,0	1,61	H	45,0	1,77	0,70	0,32
	D	80,5								3,17	N	60 CH 55**										2,36 CH2,16**	P	55,0								
1"	F VD100 L35	Female 809508036	25	6	M45X2	Rd 48X3 SP*	G	146,7	5,78	F	99,0	3,90	L	16,0	0,63	B	46,0	1,81	K	35,3	1,39	M	47,8	1,88	O	41,0	1,61	H	50,0	1,97	0,78	0,35
	D	82,5								3,25	N	60 CH 55**										2,36 CH2,16**	P	55,0								

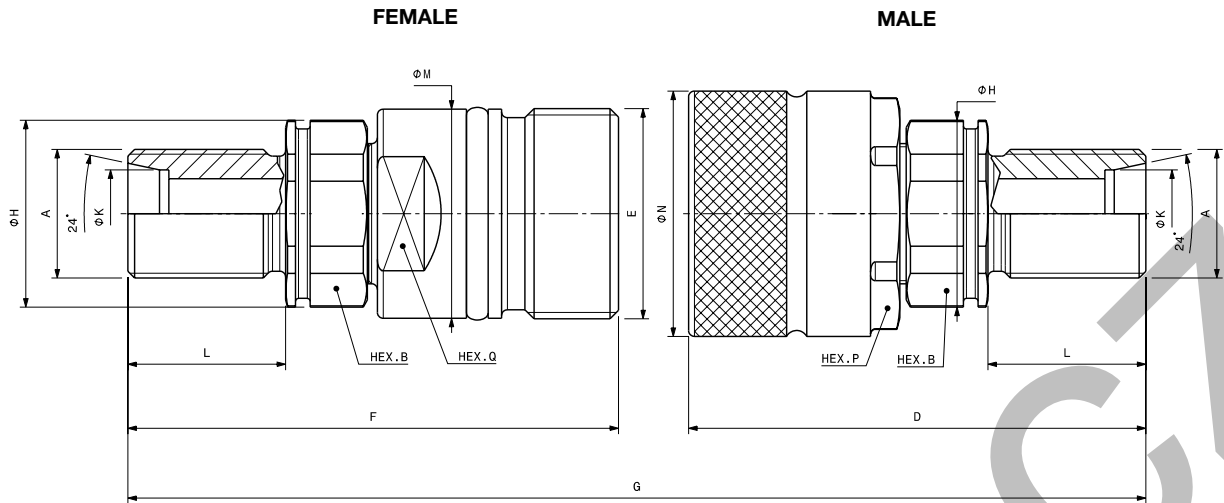
* SP = SPECIAL THREAD



Port description: MALE THREAD METRIC S – 24° CONE (ISO 8434-1 & DIN 2353)

BODY SIZE	Descriptive Code	Item Code	ISO DN	BG	PORT (A)	E	Overall Length		Length		Length		Hex		Diameter		Diameter		Hex		Diameter		Weight									
							mm	in	mm	in	mm	in	mm	in	mm	in	mm	in	mm	in	mm	in	mm	in	kg	lb						
3/8"	F VD38 S8	Female 809509012	10	2	M16X1.5	M28X2	G	97,0	3,82	F	63,3	2,49	L	12,0	0,47	B	22,0	0,87	K	8,0	0,31	M	27,8	1,09	Q	24,0	0,94	H	24,0	0,94	0,17	0,37
	D	60,5								2,38	N	34,0										1,34	P	30,0								
3/8"	F VD38 S10	Female 809509008	10	3	M18X1.5	M28X2	G	97,0	3,82	F	63,3	2,49	L	12,0	0,47	B	22,0	0,87	K	10,0	0,39	M	27,8	1,09	Q	24,0	0,94	H	24,0	0,94	0,14	0,31
	D	60,5								2,38	N	34,0										1,34	P	30,0								
1/2"	F VD12 S10	Female 809509000	12,5	3	M18X1.5	M36X2	G	104,6	4,12	F	69,0	2,72	L	12,0	0,47	B	30,0	1,18	K	10,0	0,39	M	35,8	1,41	Q	30,0	1,18	H	32,0	1,26	0,26	0,58
	D	63,3								2,49	N	42,0										1,65	P	36,0								
1/2"	F VD12 S12	Female 809509002	12,5	3	M20X1.5	M36X2	G	103,6	4,08	F	69,0	2,72	L	12,0	0,47	B	30,0	1,18	K	12,0	0,47	M	35,8	1,41	Q	30,0	1,18	H	32,0	1,26	0,26	0,58
	D	63,3								2,49	N	42,0										1,65	P	36,0								
1/2"	F VD12 S14	Female 809509004	12,5	3	M22X1.5	M36X2	G	-	-	F	71,0	2,80	L	14,0	0,55	B	30,0	1,18	K	14,0	0,55	M	35,8	1,41	Q	30,0	1,18	H	32,0	1,26	0,26	0,58
	D	65,3								2,57	N	42,0										1,65	P	36,0								
1/2"	F VD12 S16	Female 809509006	12,5	3	M24X1.5	M36X2	G	108,6	4,28	F	71,0	2,80	L	14,0	0,55	B	30,0	1,18	K	16,0	0,63	M	35,8	1,41	Q	30,0	1,18	H	32,0	1,26	0,30	0,66
	D	65,3								2,57	N	42,0										1,65	P	36,0								
3/4"	F VD34 S16	Female 809509014	20	4	M24X1.5	M42X2	G	122,5	4,82	F	81,9	3,22	L	14,0	0,55	B	36,0	1,42	K	16,0	0,63	M	41,8	1,65	Q	36,0	1,42	H	40,0	1,57	0,41	0,89
	D	72,4								2,85	N	48,0										1,89	P	46,0								
3/4"	F VD34 S20	Female 809509016	20	4	M30X2	M42X2	G	126,5	4,98	F	83,9	3,30	L	16,0	0,63	B	36,0	1,42	K	20,0	0,79	M	41,8	1,65	Q	36,0	1,42	H	40,0	1,57	0,41	0,90
	D	74,4								2,92	N	48,0										1,89	P	46,0								
1"	F VD100 S20	Female 809509018	25	6	M30X2	48X3 SP*	G	-	-	F	99,0	3,90	L	16,0	0,63	B	41,0	1,61	K	20,2	0,80	M	47,8	1,88	Q	41,0	1,61	H	45,0	1,77	0,72	1,58
	D	82,5								3,25	N	60 CH 55**										2,36 CH2,16**	P	55,0								
1"	F VD100 S25	Female 809509020	25	6	M36X2	48X3 SP*	G	150,7	5,93	F	101,0	3,98	L	18,0	0,71	B	41,0	1,61	K	25,2	0,99	M	47,8	1,88	Q	41,0	1,61	H	45,0	1,77	0,74	1,62
	D	84,5								3,33	N	60 CH 55**										2,36 CH2,16**	P	55,0								
1"	F VD100 S30	Female 809509022	25	6	M42X2	48X3 SP*	G	154,7	6,09	F	103,0	4,06	L	20,0	0,79	B	46,0	1,81	K	30,2	1,19	M	47,8	1,88	Q	41,0	1,61	H	50,0	1,97	0,81	1,79
	D	86,5								3,41	N	60 CH 55**										2,36 CH2,16**	P	55,0								
1-1/4"	F VD114 S30	Female 809509026	31,5	8	M42X2	70X3 SP*	G	183,0	7,20	F	114,2	4,50	L	20,0	0,79	B	55,0	2,17	K	30,2	1,19	M	68,5	2,70	Q	65,0	2,56	H	61,0	2,40	1,59	3,50
	D	118,0								4,65	N	85 CH80**										3,35 - CH3,15**	P	80,0								
1-1/4"	F VD114 S38	Female 809509028	31,5	8	M52X2	70X3 SP*	G	187,0	7,36	F	116,2	4,57	L	22,0	0,87	B	55,0	2,17	K	38,3	1,51	M	68,5	2,70	Q	65,0	2,56	H	61,0	2,40	1,63	3,59
	D	120,0								4,72	N	85 CH80**										3,35 - CH3,15**	P	80,0								

*SP = SPECIAL THREAD
**HEXAGON SLEEVE



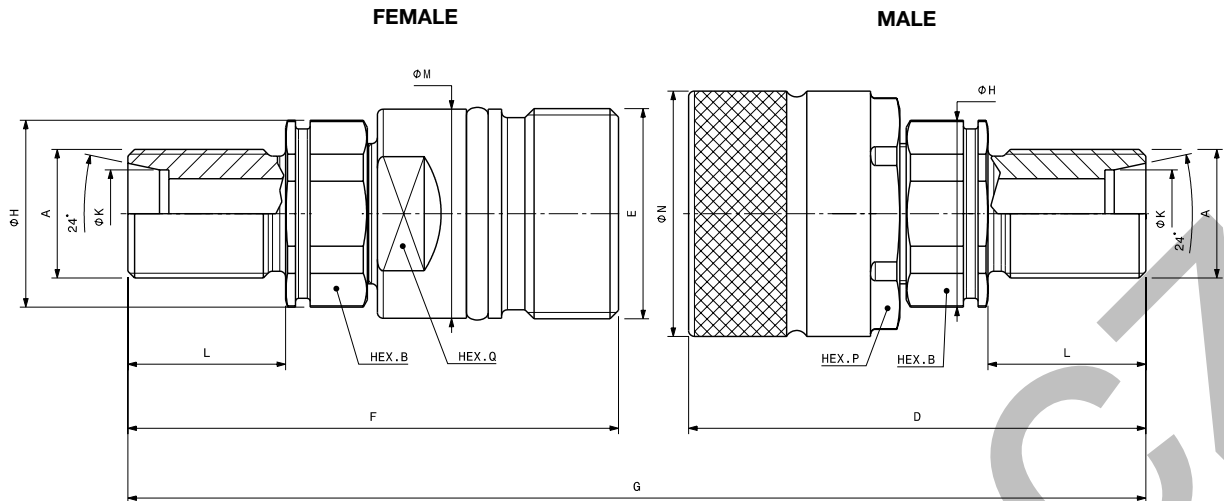
Port description: MALE THREAD METRIC L SCHOTT – 24° CONE BULKHEAD (ISO 8434-1 & DIN 2353)

BODY SIZE	Descriptive Code	Item Code	ISO DN	BG	PORT(A)	E	Overall Length		Length		Hex	Diameter		Diameter		Hex		Diameter		Weight														
							mm	in	mm	in		mm	in	mm	in	mm	in	mm	in	mm	in	mm	in	kg	lb									
1/4"	F VD14 L8 SCHOTT	Female 809510012*	6,3	1	M14X1.5	M24X2	G	-	-	F	74,7	2,94	L	25,0	0,98	B	19,0	0,75	K	8,0	0,31	M	23,8	0,94	O	22,0	0,87	H	21,0	0,83	-	-	0,10	0,23
	D	-								N	-	P																						
3/8"	F VD38 L8 SCHOTT	Female 809510014	10	2	M14X1.5	M28X2	G	-	-	F	76,3	3,00	L	25,0	0,98	B	22,0	0,87	K	8,0	0,31	M	27,8	1,09	O	24,0	0,94	H	24,0	0,94	-	-	0,14	0,31
	D	73,5								2,89	N	34,0																						
3/8"	F VD38 L10 SCHOTT	Female 809510016	10	2	M16X1.5	M28X2	G	125,0	4,92	F	77,3	3,04	L	26,0	1,02	B	22,0	0,87	K	10,0	0,39	M	27,8	1,09	O	24,0	0,94	H	24,0	0,94	-	-	0,17	0,37
	D	74,5								2,93	N	34,0																						
1/2"	F VD12 L10 SCHOTT	Female 809510006	12,5	3	M16X1.5	M36X2	G	132,6	5,22	F	83,0	3,27	L	26,0	1,02	B	30,0	1,18	K	10,0	0,39	M	35,8	1,41	O	30,0	1,18	H	32,0	1,26	-	-	0,32	0,69
	D	77,3								3,04	N	42,0																						
1/2"	F VD12 L12 SCHOTT	Female 809510000	12,5	3	M18X1.5	M36X2	G	140,6	5,54	F	87,0	3,43	L	30,0	1,18	B	30,0	1,18	K	12,0	0,47	M	35,8	1,41	O	30,0	1,18	H	32,0	1,26	-	-	0,27	0,58
	D	81,3								3,20	N	42,0																						
1/2"	F VD12 L15 SCHOTT	Female 809510004	12,5	3	M22X1.5	M36X2	G	134,6	5,30	F	84,0	3,31	L	27,0	1,06	B	30,0	1,18	K	15,0	0,59	M	35,8	1,41	O	30,0	1,18	H	32,0	1,26	-	-	0,27	0,59
	D	78,3								3,08	N	42,0																						
1/2"	F VD12 L18 SCHOTT	Female 809510008	12,5	3	M26X1.5	M36X2	G	134,6	5,30	F	84,0	3,31	L	27,0	1,06	B	30,0	1,18	K	18,0	0,71	M	35,8	1,41	O	30,0	1,18	H	32,0	1,26	-	-	0,27	0,60
	D	78,3								3,08	N	42,0																						
3/4"	F VD34 L15 SCHOTT	Female 809510024	20	4	M22X1.5	M42X2	G	148,5	5,85	F	94,9	3,74	L	27,0	1,06	B	36,0	1,42	K	15,2	0,60	M	41,8	1,65	O	36,0	1,42	H	40,0	1,57	-	-	0,41	0,90
	D	85,4								3,36	N	49,5																						
3/4"	F VD34 L18 SCHOTT	Female 809510026	20	4	M26X1.5	M42X2	G	150,5	5,93	F	95,9	3,77	L	27,0	1,06	B	36,0	1,42	K	18,0	0,71	M	41,8	1,65	O	36,0	1,42	H	40,0	1,57	-	-	0,41	0,91
	D	86,4								3,40	N	49,5																						
3/4"	F VD34 L22 SCHOTT 36	Female 809510028	20	4	M30X2	M42X2	G	-	-	F	103,9	4,09	L	36,0	1,42	B	36,0	1,42	K	22,0	0,87	M	41,8	1,65	O	36,0	1,42	H	40,0	1,57	-	-	0,42	0,91
	D	94,4								3,72	N	49,5																						
1"	F VD100 L18 SCHOTT 32	Female 809510030	25	6	M26X1,5	48X3 SP*	G	178,7	7,04	F	115,0	4,53	L	32,0	1,26	B	41,0	1,61	K	18,0	0,71	M	47,8	1,88	O	41,0	1,61	H	45,0	1,77	-	-	0,74	1,63
	D	98,5								3,88	N	60 CH 55**																						
1"	F VD100 L22 SCHOTT 32	Female 809510032	25	6	M30X2	48X3 SP*	G	182,7	7,19	F	117,0	4,61	L	34,0	1,34	B	41,0	1,61	K	22,2	0,87	M	47,8	1,88	O	41,0	1,61	H	45,0	1,77	-	-	0,76	1,66
	D	100,5								3,96	N	60 CH 55**																						
1"	F VD100 L28 SCHOTT	Female 809510034	25	6	M36X2	48X3 SP*	G	182,7	7,19	F	117,0	4,61	L	34,0	1,34	B	41,0	1,61	K	28,2	1,11	M	47,8	1,88	O	41,0	1,61	H	45,0	1,77	-	-	0,78	1,71
	D	100,5								3,96	N	60 CH 55**																						

* Available upon request.

* SP = SPECIAL THREAD

Locknuts available upon request.



Port description: MALE THREAD METRIC S SCHOTT – 24° CONE BULKHEAD (ISO 8434-1 & DIN 8353)

BODY SIZE	Descriptive Code	Item Code	ISO DN	BG	PORT (A)	E	Overall Length		Length		Diameter		Wrench Flat		Diameter		Diameter		Hex		Diameter		Weight									
							mm	inch	mm	inch	mm	inch	mm	inch	mm	inch	mm	inch	mm	inch	mm	inch	mm	inch	Kg	Lbs						
3/8"	F VD38 S12 SCHOTT	Female 809511010	10	2	M20X1.5	M28X2	G	-	-	F	78,3	3,08	L	27	1,06	B	22,0	0,87	K	12,0	0,47	M	-	-	Q	-	-	H	24,0	0,94	0,15	0,32
	M VD38 S12 SCHOTT	Male 809511011								D	75,5	2,97									N	34,0	1,34	P	30,0	1,18				0,32	0,71	
1/2"	F VD12 S10 SCHOTT	Female 809511000	12,5	3	M18X1,5	M36X2	G	134,6	5,30	F	84,0	3,31	L	27	1,06	B	30,0	1,18	K	10,0	0,39	M	35,8	1,41	Q	30,0	1,18	H	32,0	1,26	0,27	0,59
	M VD12 S10 SCHOTT	Male 809511001								D	78,3	3,08									N	42,0	1,65	P	36,0	1,42				0,59	1,30	
1/2"	F VD12 S12 SCHOTT	Female 809511002	12,5	3	M20X1,5	M36X2	G	134,6	5,30	F	84,0	3,31	L	27	1,06	B	30,0	1,18	K	12,0	0,47	M	35,8	1,41	Q	30,0	1,18	H	32,0	1,26	0,27	0,59
	M VD12 S12 SCHOTT	Male 809511003								D	78,3	3,08									N	42,0	1,65	P	36,0	1,42				0,59	1,30	
1/2"	F VD12 S16 SCHOTT	Female 809511006	12,5	3	M24X1,5	M36X2	G	138,6	5,46	F	86,0	3,39	L	29	1,14	B	30,0	1,18	K	16,0	0,63	M	35,8	1,41	Q	30,0	1,18	H	32,0	1,26	0,27	0,60
	M VD12 S16 SCHOTT	Male 809511007								D	80,3	3,16									N	42,0	1,65	P	36,0	1,42				0,60	1,31	
3/4"	F VD34 S16 SCHOTT	Female 809511014*	20	4	M24X1,5	M42X2	G	-	-	F	96,9	3,81	L	29	1,14	B	36,0	1,42	K	16,2	0,64	M	41,8	1,65	Q	36,0	1,42	H	40,0	1,57	0,41	0,90
	M VD34 S16 SCHOTT	Male 809511015*								D	-	-									N	-	-	P	-	-				0,90	1,99	
3/4"	F VD34 S20 SCHOTT	Female 809511016	20	4	M30X2	M42X2	G	166,5	6,56	F	103,9	4,09	L	36	1,42	B	36,0	1,42	K	20,0	0,79	M	41,8	1,65	Q	36,0	1,42	H	40,0	1,57	0,42	0,92
	M VD34 S20 SCHOTT	Male 809511017								D	94,4	3,72									N	49,5	1,90	P	46,0	1,81				0,92	2,03	
1"	F VD100 S20 SCHOTT	Female 809511018	25	6	M30X2	48X3 SP*	G	190,7	7,51	F	121,0	4,76	L	38	1,50	B	41,0	1,61	K	20,2	0,80	M	47,8	1,88	Q	41,0	1,61	H	45,0	1,77	0,69	1,51
	M VD100 S20 SCHOTT	Male 809511019								D	104,5	4,11									N	60 CH 55**	2,36 CH2.16**	P	55,0	2,16				1,51	3,33	
1"	F VD100 S25 SCHOTT	Female 809511020	25	6	M36X2	48X3 SP*	G	190,7	7,51	F	121,0	4,76	L	38	1,50	B	41,0	1,61	K	25,2	0,99	M	47,8	1,88	Q	41,0	1,61	H	45,0	1,77	0,83	1,83
	M VD100 S25 SCHOTT	Male 809511021								D	104,5	4,11									N	60 CH 55**	2,36 CH2.16**	P	55,0	2,16				1,83	4,03	
1"	F VD100 S30 SCHOTT	Female 809511022	25	6	M42X2	48X3 SP*	G	194,7	7,67	F	123,0	4,84	L	40	1,57	B	46,0	1,81	K	30,2	1,19	M	47,8	1,88	Q	41,0	1,61	H	50,0	1,97	0,94	2,06
	M VD100 S30 SCHOTT	Male 809511023								D	106,5	4,19									N	60 CH 55**	2,36 CH2.16**	P	55,0	2,16				2,06	4,54	
1"	F VD100 S38 SCHOTT	Female 809511024*	25	6	M52X2	48X3 SP*	G	-	-	F	123,0	4,84	L	40	1,57	B	55,0	2,17	K	38,3	1,51	M	47,8	1,88	Q	41,0	1,61	H	60,0	2,36	1,16	2,55
	M VD100 S38 SCHOTT	Male 809511025*								D	-	-									N	-	-	P	-	-				2,55	5,61	

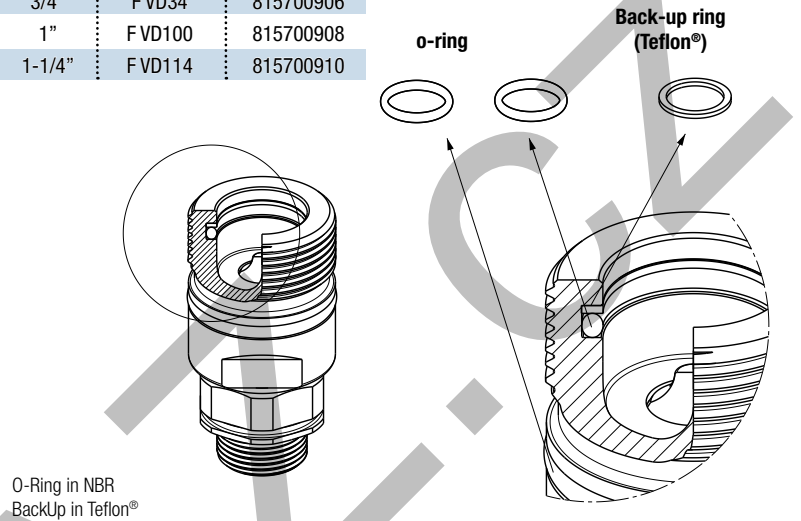
*SP = SPECIAL THREAD
*Available upon request.

Locknuts available upon request.



SPARE KIT SEAL FOR FEMALE

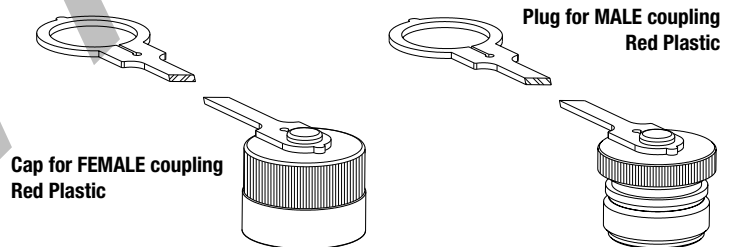
Repair kit / OR+BK		
Body Size	Description	Part Number
1/4"	FVD14	815700900
3/8"	FVD38	815701151
1/2"	FVD12	815700904
3/4"	FVD34	815700906
1"	FVD100	815700908
1-1/4"	FVD114	815700910



O-Ring in NBR
BackUp in Teflon®

PROTECTIVE CAPS FOR VD SERIES

Protective caps are always recommended to protect the couplings from damage, dirt inclusion, and will increase the product life. This is particularly important in mobile applications where exposure to weather and aggregate materials are common. The protective caps for VD couplings are manufactured in plastic with connection lanyard (standard color red).



Body Size/Description	Protective Cap		Material/Color
	Cap for Female	Plug for Male	
1/4" VD14	814900000	814900001	Plastic/Red
3/8" VD38	814900002	814900003	Plastic/Red
1/2" VD12	814900004	814900005	Plastic/Red
3/4" VD34	814900006	814900007	Plastic/Red
1" VD100	814900016	814900017	Plastic/Red
1-1/4" VD114	814900018	814900019	Plastic/Red