

IV-HP SERIES

INTERCHANGE > with similar couplings (High Pressure)



Stucchi®



TECHNICAL FEATURES AND OPTIONS

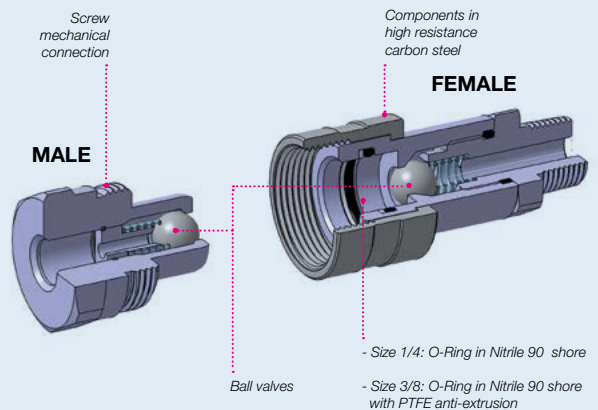
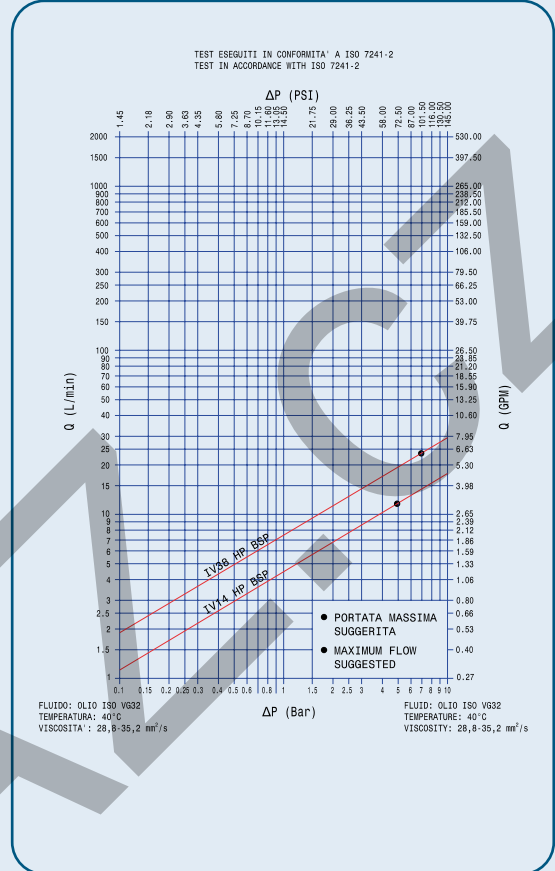
Interchange ISO 14540 (High Pressure)	Sealing description Nitrile NBR	Connection system Screw
Available sizes from 1/4" to 3/8"	Material /treatment Carbon steel /Cr3	Available threads NPT
Operating pressure Up to 700 bar	Locking mechanism Screw to connect	Flow rate Up to 23 l/min
Temperature (°C) -20°C / +100°C	Valving style Ball	Connection under pressure Connection: not allowed Disconnection: not allowed

BENEFITS

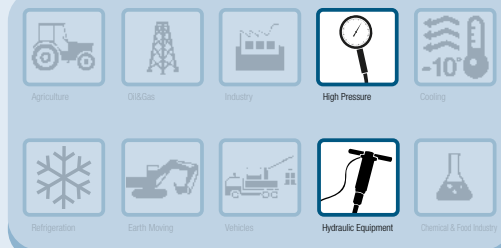
- Ball valves in hardened steel provide a good wearing resistance.
- Compact slim design.
- Simple to use.

HOW TO USE

- Before to connect, clean the mating surface of the couplings to avoid dirt inclusion in the circuit.
- To connect insert the male coupling in the female coupling, move forward the sleeve of the female coupling and screw it manually on the male coupling till it blocks.
- To disconnect unscrew totally the sleeve from the male coupling.



MAIN APPLICATIONS



HIGH PRESSURE

PERFORMANCES

Size	Series/Size	Max. flow suggested		Max. operating pressure	
		l/min	gpm	MPa	psi
1/4	IV14HP	12	3,18	70	10150
3/8	IV38HP	23	6,10	70	10150

Temperature range:

Standard seals NBR (Nitrile): from -20 °C to +100 °C (from -4 °F to +212 °F).
Please read carefully Instructions and warnings for proper selection of the products.

Different possible configurations:

Different threads available upon request.

WARNING

A defect, a wrong choice or an improper use of products, can cause injury to persons, animals and objects.

Never connect or disconnect with dynamic pressure (e.g. pump on).

Do not use the coupling disconnected with high impulse pressure.

Do not couple-uncouple with flow and/or pressure in the circuit.

Do not couple-uncouple when the temperature inside of the circuit is higher than 80 °C (176 °F).

Check the maximum allowable working pressure of the port in use.

Make sure that the medium used is compatible with seal and material as indicated for each series.

In case of doubt please contact Stucchi Technical Support.

The interchangeability is mentioned under the assumption that the manufacturer of the considered products has not changed any dimension.

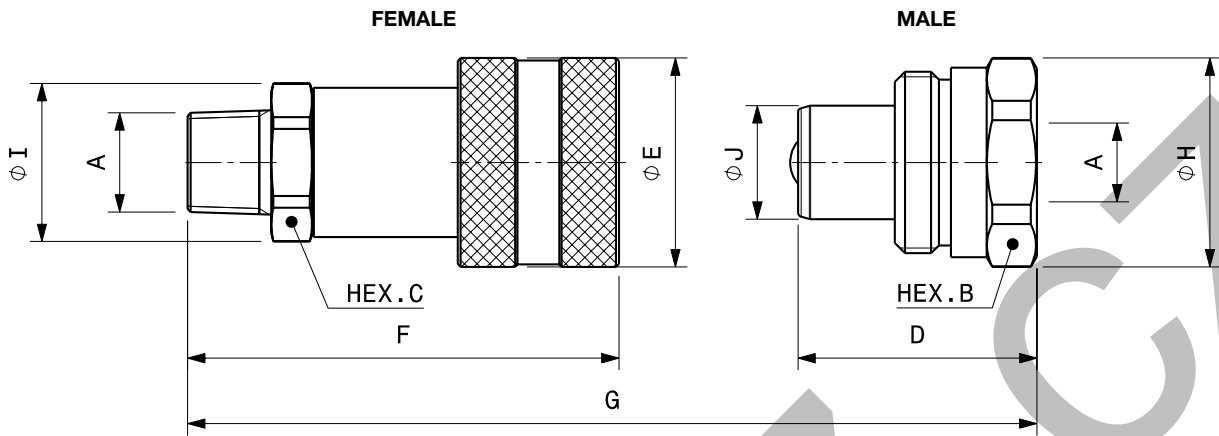
It is mandatory to carefully read and closely follow the instructions before selecting or using any Stucchi products.

Always refer to the version uploaded in the Instructions and warning section of stucchigroup.com website for the latest release.

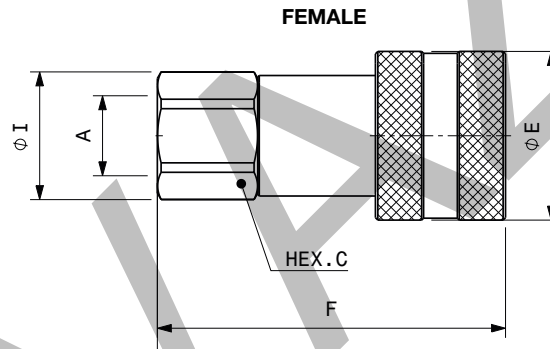
For specific, product-related, instructions, please contact Stucchi technical service.

OVERALL DIMENSIONS

Female with external thread



Female with internal thread



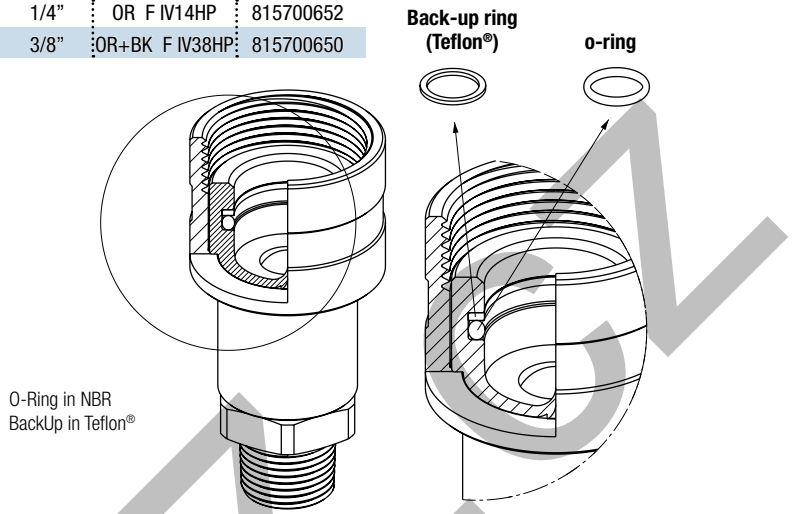
Port description: FEMALE THREAD NPT (ANSI B1.20.1)
- MALE THREAD NPT (ANSI B1.20.1)

BODY SIZE	Descriptive Code	Item Code	PORT (A)	Overall Length		Length		Hex		Diameter		Diameter		Weight						
				mm	in	mm	in	mm	in	mm	in	mm	in	kg	lb					
1/4"	F IV14HP 1/4 NPT EXT	Female 800201008	1/4"			F	60,8	2,39	C	22,0	0,87	I	24,5	0,96	E	28,0	1,10	0,14	0,30	
1/4"	F IV14HP 1/4 NPT	Female 800201034	1/4"	G	74,5	2,93	F	60,8	2,39	C	22,0	0,87	I	24,5	0,96	E	28,0	1,10	0,14	0,30
1/4"	M IV14HP 1/4 NPT	Male 800201009	1/4"			D	32,5	1,28	B	19,0	0,75	H	28,0	1,10	J	15,8	0,62	0,07	0,16	
3/8"	F IV38HP 1/4 NPT EXT	Female 800201006	1/4"			F	72,3	2,85	C	24,0	0,94	I	26,5	1,04	E	35,0	1,38	0,21	0,47	
3/8"	F IV38HP 1/4 NPT	Female 800201022	1/4"	G	F+D-18,8	F+D-0,74	F	69,9	2,75	C	24,0	0,94	I	26,5	1,04	E	35,0	1,38	0,22	0,49
3/8"	M IV38HP 1/4 NPT	Male 800201023	1/4"			D	40,0	1,57	B	32,0	1,26	H	35,0	1,38	J	19,0	0,75	0,15	0,33	
3/8"	F IV38HP 3/8 NPT EXT	Female 800201004	3/8"			F	72,2	2,84	C	24,0	0,94	I	26,5	1,04	E	35,0	1,38	0,22	0,49	
3/8"	F IV38HP 3/8 NPT	Female 800201014	3/8"	G	F+D-25,4	F+D-1,00	F	72,3	2,85	C	24,0	0,94	I	26,5	1,04	E	35,0	1,38	0,24	0,52
3/8"	M IV38HP 3/8 NPT	Male 800201005	3/8"			D	40,0	1,57	B	32,0	1,26	H	35,0	1,38	J	19,0	0,75	0,14	0,31	



SPARE KIT SEAL FOR FEMALE

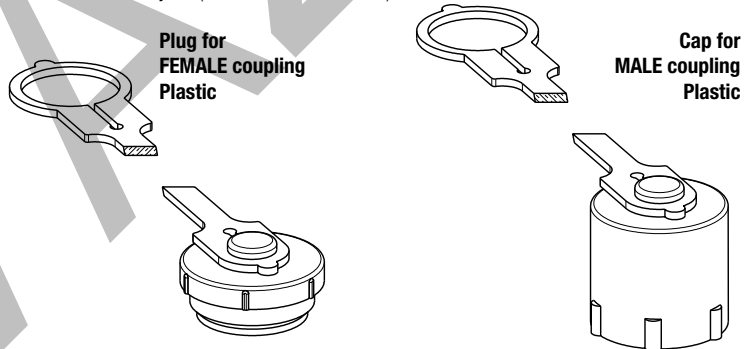
Repair kit / OR (+BK)		
Body Size	Description	Part Number
1/4"	OR F IV14HP	815700652
3/8"	OR+BK F IV38HP	815700650



PROTECTIVE CAPS FOR IV-HP SERIES

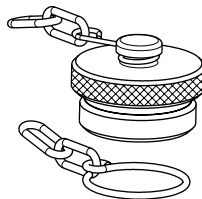
Protective caps are always recommended to protect the couplings from damage, dirt inclusion, and will increase the product life. For the IV-HP series are available two kind of materials:

- Plastic caps with lanyard (standard color: black)
- Cr3 steel with lanyard (standard colors: natural)

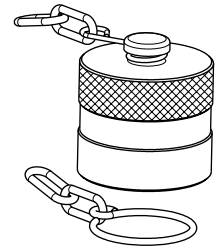


Body Size/Description	Protective Cap		Material/Color
	Plug for Female	Cap for Male	
1/4" IV14HP	815603010	815603011	Plastic/Black
3/8" IV38HP	815603012	815603013	Plastic/Black

Plug for FEMALE coupling Carbon Steel



Cap for MALE coupling Carbon Steel



Body Size/Description	Protective Cap		Material/Color
	Plug for Female	Cap for Male	
1/4" IV14HP	815605004	815605005	Carbon steel/Chrome 3
3/8" IV38HP	815605002	815605003	Carbon steel/Chrome 3