

IRB SERIES

INTERCHANGE > ISO 7241 B



Stucchi®



TECHNICAL FEATURES AND OPTIONS

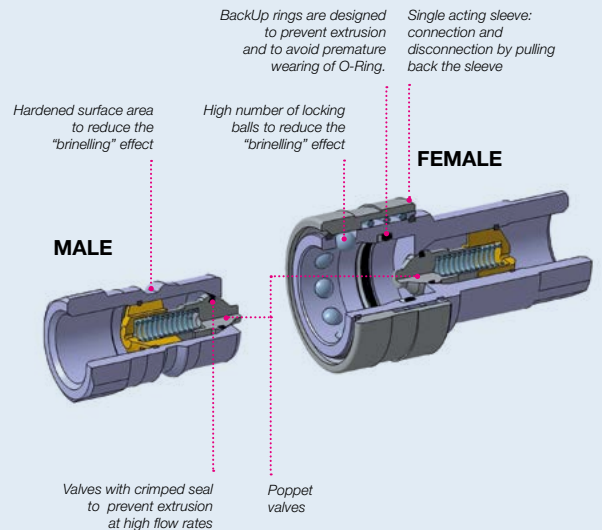
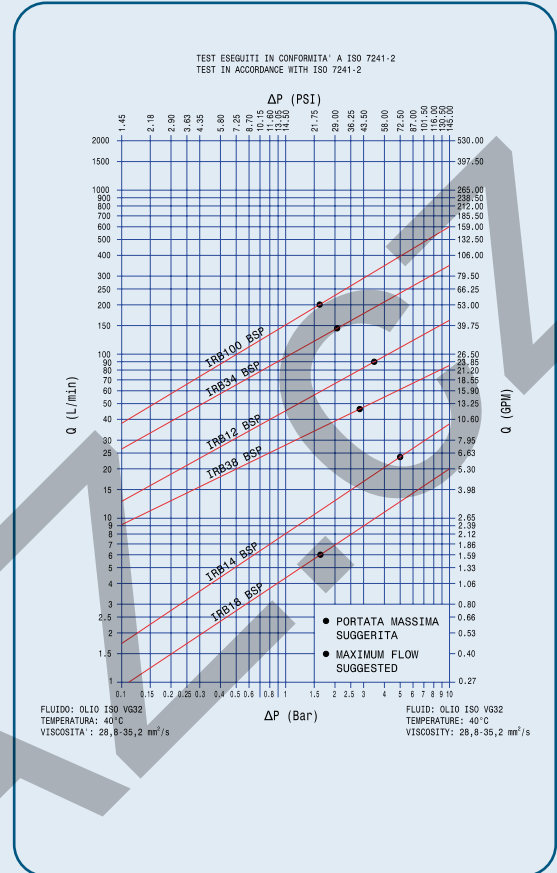
Interchange ISO 7241 B	Sealing description Nitrile NBR	Connection system Single acting sleeve
Available sizes From 1/8" to 1"	Material/treatment Carbon steel /Cr3	Available threads BSP - NPT - SAE
Operating pressure Up to 350 bar	Locking mechanism Locking Ball system	Flow rate Up to 200 l/min
Temperature (°C) -20°C / +100°C	Valving style Poppet	Connection under pressure Connection: not allowed Disconnection: not allowed

BENEFITS

- The poppet valve with elastomer seal provides maximum sealing of the couplings when disconnected.
- Shape of internal parts is designed to reduce turbulence and pressure drop.
- Compact slim design.
- Simple to use.

HOW TO USE

- Before to connect, clean the mating surface of the couplings to avoid dirt inclusion in the circuit.
- To connect pull back the sleeve of the female coupling, align the female with the male coupling and push one into the other until both halves are fully connected and release the sleeve.
- To disconnect push back the sleeve of the female coupling, pull out the mating half.



MAIN APPLICATIONS



POPPET

PERFORMANCES

Size		Series/Size	Max. flow suggested		Connect force		Disconnect force		Spillage*
in	mm (ISO)		l/min	gpm	N	lbf	N	lbf	ml
1/8	5,0	IRB18	6	1,59	75	16,88	35	7,88	0,18
1/4	6,3	IRB14	24	6,36	50	11,25	35	7,88	0,33
3/8	10,0	IRB38	46	12,19	80	18,00	45	10,13	2,20
1/2	12,5	IRB12	90	23,85	105	23,63	35	7,88	3,00
3/4	20,0	IRB34	148	39,22	125	28,13	40	9,00	9,40
1	25,0	IRB100	200	53,00	130	29,25	45	10,13	14,00

Size	Series/Size	Max. operating pressure						Burst pressure					
		Coupled		Male		Female		Coupled		Male		Female	
in		MPa	psi	MPa	psi	MPa	psi	MPa	psi	MPa	psi	MPa	psi
1/8	IRB18	35	5075	35	5075	35	5075	120	17400	120	17400	120	17400
1/4	IRB14	35	5075	35	5075	35	5075	100	14500	100	14500	100	14500
3/8	IRB38	30	4350	30	4350	30	4350	100	14500	100	14500	100	14500
1/2	IRB12	28	4060	28	4060	28	4060	100	14500	100	14500	100	14500
3/4	IRB34	23	3335	23	3335	23	3335	92	13340	92	13340	92	13340
1	IRB100	18	2610	18	2610	18	2610	72	10440	72	10440	72	10440

* Spillage is an indicative value of the fluid loss during disconnection (according to ISO norm test method).

Temperature range:

Standard seals in NBR (Nitrile): from -20°C to +100°C (from -4 °F to +212 °F).
 Upon request seals in FKM (VITON®): from -15°C to +180°C (from +5 °F to +356 °F).

Please read carefully Instructions and warnings for proper selection of the products.

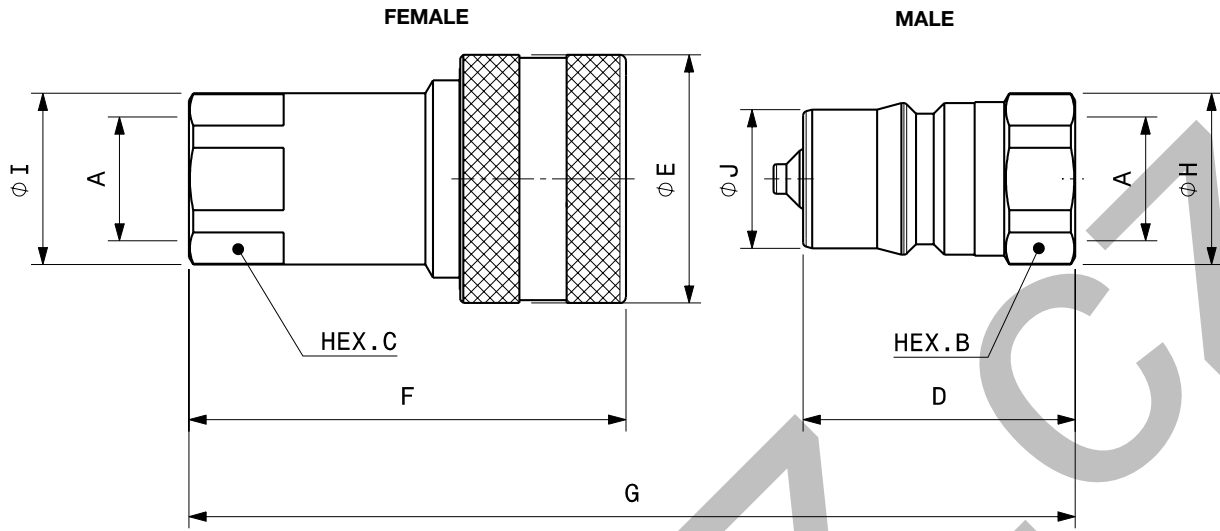
Different possible configurations:

PL version (free flow without valve) available upon request.
 SAE thread available upon request.

⚠ WARNING

A defect, a wrong choice or an improper use of products, can cause injury to persons, animals and objects.
 Never connect or disconnect with dynamic pressure (e.g. pump on).
 Do not use the coupling disconnected with high impulse pressure.
 Do not couple-uncouple with flow and/or pressure in the circuit.
 Do not couple-uncouple when the temperature inside of the circuit is higher than 80 °C (176 °F).
 Check the maximum allowable working pressure of the port in use.
 Make sure that the medium used is compatible with seal and material as indicated for each series.
 In case of doubt please contact Stucchi Technical Support.
 The interchangeability is mentioned under the assumption that the manufacturer of the considered products has not changed any dimension.
It is mandatory to carefully read and closely follow the instructions before selecting or using any Stucchi products.
Always refer to the version uploaded in the Instructions and warning section of stucchigroup.com website for the latest release.
For specific, product-related, instructions, please contact Stucchi technical service.

OVERALL DIMENSIONS



Port description: FEMALE THREAD BSP (ISO 1179-1)

BODY SIZE	Descriptive Code	Item Code	ISO DN	PORT (A)	Overall Length		Length		Hex		Overall Diameter		Body Diameter		Weight						
					mm	in	mm	in	mm	in	mm	in	mm	in	kg	lb					
1/8"	F IRB18 BSP	Female 800600000	5,0	1/8"	G	60,5	2,38	F	48,8	1,92	C	14,0	0,55	I	15,8	0,62	E	23,0	0,91	0,07	0,15
	M IRB18 BSP	Male 800600001						D	30,0	1,18	B	14,0	0,55	H	15,8	0,62	J	10,8	0,43	0,02	0,04
1/4"	F IRB14 BSP	Female 800600002	6,3	1/4"	G	70,7	2,78	F	57,0	2,24	C	19,0	0,75	I	21,2	0,83	E	27,0	1,06	0,12	0,26
	M IRB14 BSP	Male 800600003						D	35,0	1,38	B	19,0	0,75	H	20,8	0,82	J	14,2	0,56	0,04	0,08
3/8"	F IRB38 BSP	Female 800600004	10,0	3/8"	G	82,7	3,26	F	66,0	2,60	C	24,0	0,94	I	27,0	1,06	E	34,0	1,34	0,22	0,49
	M IRB38 BSP	Male 800600005						D	41,0	1,61	B	24,0	0,94	H	26,0	1,02	J	19,1	0,75	0,07	0,15
1/2"	F IRB12 BSP	Female 800600006	12,5	1/2"	G	92,6	3,65	F	73,9	2,91	C	27,0	1,06	I	29,0	1,14	E	42,0	1,65	0,32	0,71
	M IRB12 BSP	Male 800600007						D	46,0	1,81	B	27,0	1,06	H	29,0	1,14	J	23,5	0,93	0,10	0,22
3/4"	F IRB34 BSP	Female 800600008	20,0	3/4"	G	111,1	4,37	F	90,1	3,55	C	36,0	1,42	I	38,5	1,52	E	50,0	1,97	0,56	1,24
	M IRB34 BSP	Male 800600009						D	55,0	2,17	B	36,0	1,42	H	38,5	1,52	J	31,4	1,24	0,20	0,45
1"	F IRB100 BSP	Female 800600010	25,0	1"	G	133,2	5,24	F	106,2	4,18	C	41,0	1,61	I	44,8	1,76	E	60,0	2,36	0,86	1,90
	M IRB100 BSP	Male 800600011						D	66,0	2,60	B	41,0	1,61	H	44,8	1,76	J	37,7	1,48	0,33	0,72

Port description: FEMALE THREAD NPT (ANSI B1.20.1)

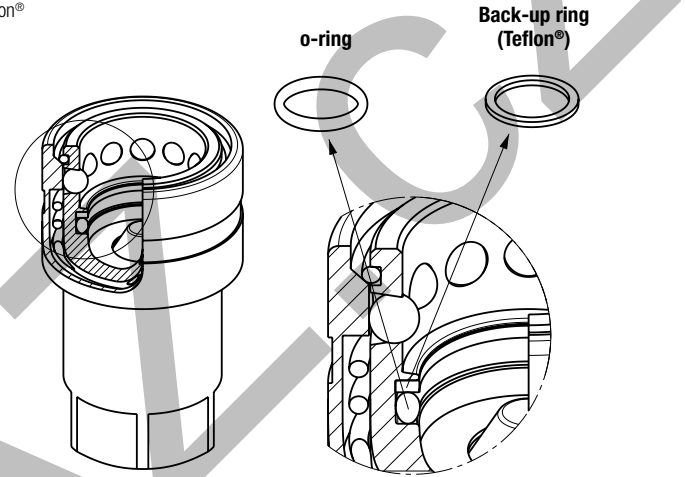
BODY SIZE	Descriptive Code	Item Code	ISO DN	PORT (A)	Overall Length		Length		Hex		Overall Diameter		Body Diameter		Weight						
					mm	in	mm	in	mm	in	mm	in	mm	in	kg	lb					
1/8"	F IRB18 NPT	Female 800601000	5,0	1/8"	G	60,5	2,38	F	48,8	1,92	C	14,0	0,55	I	15,8	0,62	E	23,0	0,91	0,07	0,15
	M IRB18 NPT	Male 800601001						D	30,0	1,18	B	14,0	0,55	H	15,8	0,62	J	10,8	0,43	0,02	0,04
1/4"	F IRB14 NPT	Female 800601002	6,3	1/4"	G	70,7	2,78	F	57,0	2,24	C	19,0	0,75	I	21,2	0,83	E	27,0	1,06	0,12	0,26
	M IRB14 NPT	Male 800601003						D	35,0	1,38	B	19,0	0,75	H	20,8	0,82	J	14,2	0,56	0,04	0,08
3/8"	F IRB38 NPT	Female 800601004	10,0	3/8"	G	82,7	3,26	F	66,0	2,60	C	24,0	0,94	I	27,0	1,06	E	34,0	1,34	0,22	0,49
	M IRB38 NPT	Male 800601005						D	41,0	1,61	B	24,0	0,94	H	26,0	1,02	J	19,1	0,75	0,07	0,15
1/2"	F IRB12 NPT	Female 800601006	12,5	1/2"	G	92,6	3,65	F	73,9	2,91	C	27,0	1,06	I	29,0	1,14	E	42,0	1,65	0,32	0,71
	M IRB12 NPT	Male 800601007						D	46,0	1,81	B	27,0	1,06	H	29,0	1,14	J	23,5	0,93	0,11	0,23
3/4"	F IRB34 NPT	Female 800601008	20,0	3/4"	G	111,1	4,37	F	90,1	3,55	C	36,0	1,42	I	38,5	1,52	E	50,0	1,97	0,56	1,24
	M IRB34 NPT	Male 800601009						D	55,0	2,17	B	36,0	1,42	H	38,5	1,52	J	31,4	1,24	0,21	0,46
1"	F IRB100 NPT	Female 800601010	25,0	1"	G	133,2	5,24	F	106,2	4,18	C	41,0	1,61	I	44,8	1,76	E	60,0	2,36	0,88	1,94
	M IRB100 NPT	Male 800601011						D	66,0	2,60	B	41,0	1,61	H	44,8	1,76	J	37,7	1,48	0,34	0,75



SPARE KIT SEAL FOR FEMALE

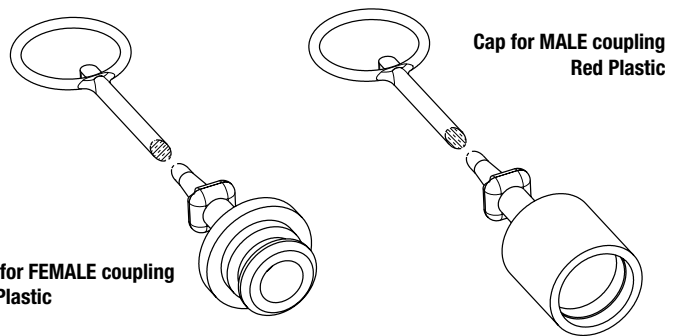
Repair kit / OR+BK		
Body Size	Description	Part Number
1/8"	F IRB18	815700202
1/4"	F IRB14	815700204
3/8"	F IRB38	815700206
1/2"	F IRB12	815700208
3/4"	F IRB34	815700210
1"	F IRB100	815700212

O-Ring in Nitrile
BackUp in Teflon®



PROTECTIVE CAPS FOR IRB SERIES

Protective caps are always recommended to protect the couplings from damage, dirt inclusion, and will increase the product life. The protective caps for IRB series are manufactured in plastic with connection lanyard (standard color red, other colors available upon request).



Plug for FEMALE coupling
Red Plastic

Cap for MALE coupling
Red Plastic

Protective Cap				
Body Size/Description		Part Number		Material/Color
		Plug for Female	Cap for Male	
1/4"	IRB14	815000032	815000033	Plastic/Red
3/8"	IRB38	815000034	815000035	Plastic/Red
1/2"	IRB12	815000036	815000037	Plastic/Red
3/4"	IRB34	815000038	815000039	Plastic/Red
1"	IRB100	815000040	815000041	Plastic/Red