

Inline Filters

Reservoir Equipment

Metal Inline Filter - Specification



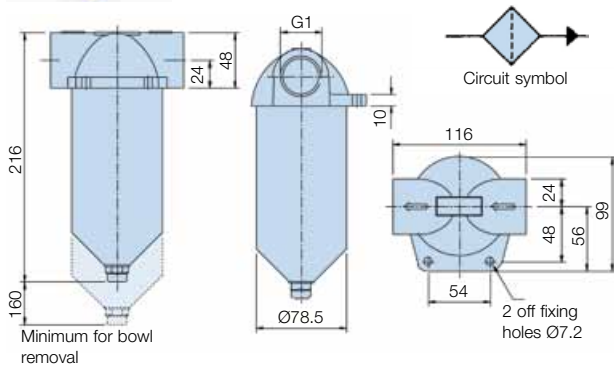
Construction:
Head – zinc.
Bowl – Aluminium
BS1470/1050A. 1987.
Element:
Zintec/Stainless steel.
125 micron*.

Max. flow:
90 l/min.
Max working pressure:
7 bar.
Thread:
G1.

Working temperature:
-30°C to +80°C.
Seal:
Nitrile.
Bowl tightening torque:
12 Nm.

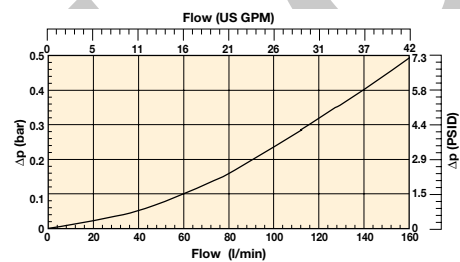
Flow direction:
From outside to inside.
Weight:
1.5 Kg.
*Alternative media can be specified.

Installation Details



Filter Selection

Total assembly pressure drop flow curve
Oil Viscosity 30 cSt Relative density 0.856



Ordering Information

Standard products table

Part number	Flow l/min	Thread BSP	Micron rating	Replacement element	Supersedes
IL1115	90	G1	125	EIL1115	E.IL.1115

Note 1: Part numbers featured with bold highlighted codes will ensure a 'standard' product selection.
Note 2: Alternate displayed part number selection will require you to contact Parker Filtration for availability.

Non-Corrodible Inline Filter - Specification



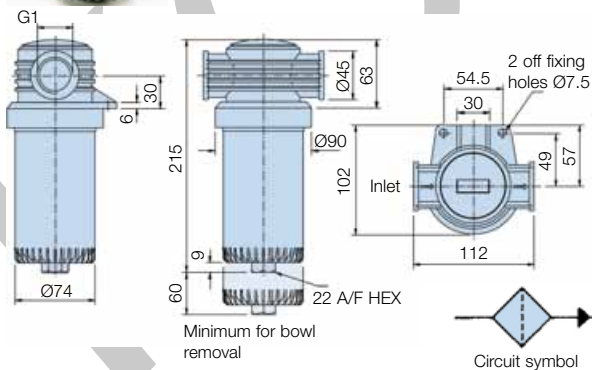
Construction:
Housing and bowl moulded in polyester.
Element:
Stainless steel mesh.
125 micron*.
Max. flow:
120 l/min.

Max working pressure:
7 bar.
Thread:
G1.
*For alternative media consult Parker Filtration
Note: When using with water, protect from freezing.

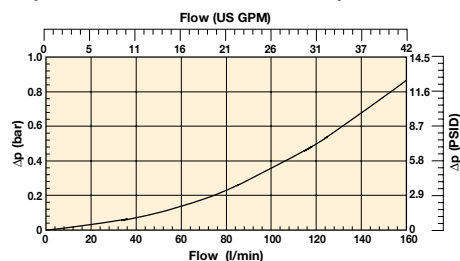
Working temperature:
-30°C to +80°C.
(+60°C water).
Seal:
Nitrile.
Bowl tightening torque:
12 Nm.

Bowl tightening note:
A box or ring spanner is recommended.
Flow direction:
From outside to inside.
Weight:
0.5 Kg.

Installation Details



Total assembly pressure drop flow curve
Oil Viscosity 30 cSt Relative density 0.856



Ordering Information

Standard products table

Part number	Supersedes	Thread BSP	Appliance	Micron rating	Weight	Replacement element
IL761151	IL.1151	1	Oil	125	0.5	R.76115
IL761251	IL.1251	1	Water	125	0.5	R.76125

Note 1: Part numbers featured with bold highlighted codes will ensure a 'standard' product selection.
Note 2: Alternate displayed part number selection will require you to contact Parker Filtration for availability.

