



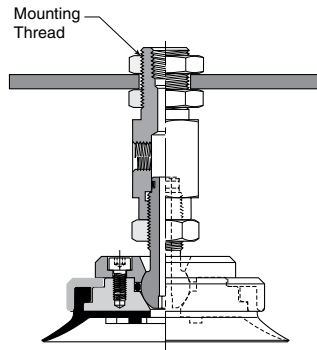
PUTYK Series Barbed Bulkhead

Top stem connectors secured with jam nuts and allow tubing connections at the top side. Fitting material: nickel plated brass.

Installation

Note:

When installing cup assemblies, use a sealant material to secure the assembly and prevent vacuum leakage.



Cup size	Vacum port	Cup material Nitrile assembly (NBR)	Replacement PUGB swivel with cup only	Replacement cup only (NBR)	Cup fitting
60	1/8 BSPP	PUTYK-60-NBR-G1	PUGB-60-NBR	PUG-60-NBR	UTYK-60-G1
80	1/8 BSPP	PUTYK-80-NBR-G1	PUGB-80-NBR	PUG-80-NBR	UTYK-60-G1
100	1/8 BSPP	PUTYK-100-NBR-G1	PUGB-100-NBR	PUG-100-NBR	UTYK-60-G1

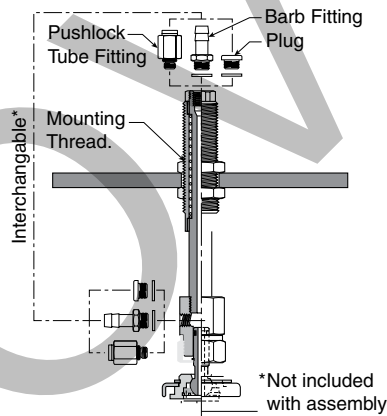
PUTYS Series Bulkhead Level Compensator

303 stainless steel construction secured with jam nuts. Spring biased compensators can absorb impacts of down-strokes and adjust for different levels of pick up points. 303 stainless corrosion resistant materials with drymet bushings increases the strength and life.

Installation

Note:

When installing cup assemblies, use a sealant material to secure the assembly and prevent vacuum leakage. Shown are interchangeable connectors & plugs for port connections.

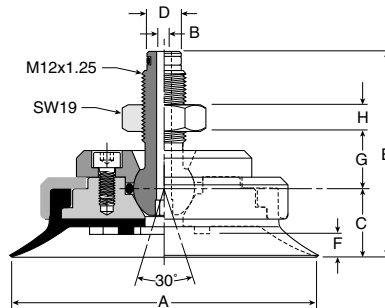


Cup diameter (mm)	Vacum port	Stroke (mm)	Spring compression Force lbf (N)		PUTYS assembly (NBR)	Replacement PUGB swivel with cup only	Replacement cup only NBR	Level compensator P/N
			0%	100%				
60	1/8 BSPP	30	1.6 (6.8)	3.6 (15.6)	PUTYS6030NBRG1	PUGB-60-NBR	PUG-60-NBR	UTYS-60-30-G1
60	1/8 BSPP	50	1.9 (8.3)	4.5 (19.6)	PUTYS6050NBRG1	PUGB-60-NBR	PUG-60-NBR	UTYS-60-50-G1
80	1/8 BSPP	30	1.6 (6.8)	3.6 (15.6)	PUTYS8030NBRG1	PUGB-80-NBR	PUG-80-NBR	UTYS-60-30-G1
80	1/8 BSPP	50	1.9 (8.3)	4.5 (19.6)	PUTYS8050NBRG1	PUGB-80-NBR	PUG-80-NBR	UTYS-60-50-G1
100	1/8 BSPP	30	1.6 (6.8)	3.6 (15.6)	PUTYS10030NBRG1	PUGB-100-NBR	PUG-100-NBR	UTYS-60-30-G1
100	1/8 BSPP	50	1.9 (8.3)	4.5 (19.6)	PUTYS10050NBRG1	PUGB-100-NBR	PUG-100-NBR	UTYS-60-50-G1

A

PUGB Series Barbed Bulkhead Dimensions

PUGB-60 thru
PUGB-100



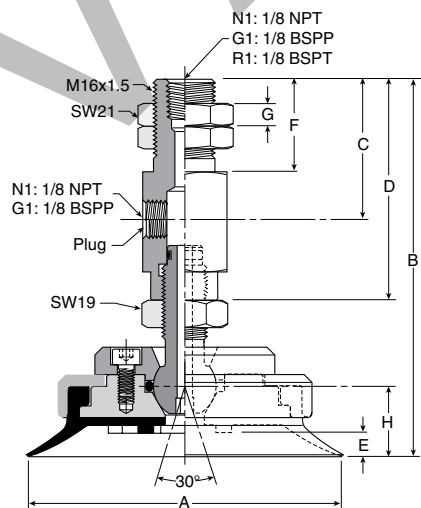
Dimensions (mm)

Model number	ØA	ØB	C	ØD	E	F	G	H
PUGB-60-*	60	3.9	16	9	52	5	15	7
PUGB-80-*	80	3.9	18	9	54	6	15	7
PUGB-100-*	100	3.9	18	9	54	6	15	7

* Cup material

PUTYK Series Barbed Bulkhead Dimensions

PUTYK-60 thru
PUTYK-100



Dimensions (mm)

Model number	ØA	B	C	D	E	F	G	H	Wt g
PUTYK-60-*	60	93	16	48	5	23	6	16	352
PUTYK-80-*	80	95	35	55	6	23	6	18	444
PUTYK-100-*	100	95	35	55	6	23	6	18	568

* Cup material