

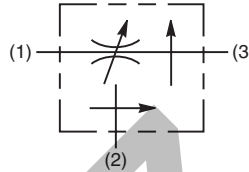
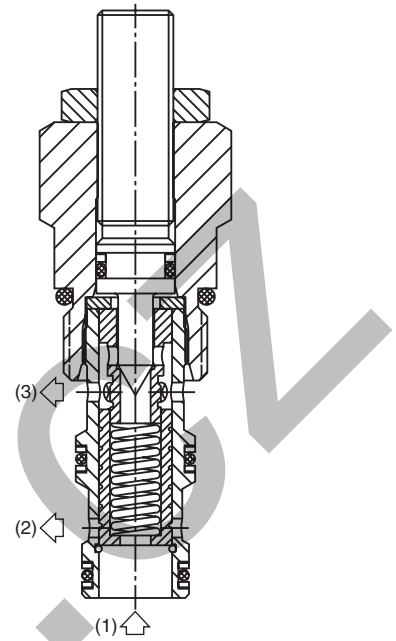
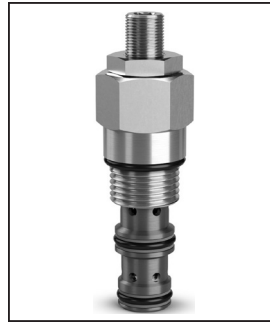
CV
Check Valves
SH
Shuttle Valves
LM
Load/Motor Controls
FC
Flow Controls
PC
Pressure Controls
LF
Logic Elements
DC
Directional Controls
SV
Solenoid Valves
PV
Proportional Valves
CE
Coils & Electronics
BC
Bodies & Cavities
TD
Technical Data

General Description

Priority Type, Pressure Compensated Flow Regulator Valve. For additional information see Technical Tips on pages FC1-FC4.

Features

- Good adjustment from 1-15 LPM (0.3-4 GPM)
- Used for systems requiring priority flow such as steering systems
- Hardened working parts for maximum durability
- Reverse flow function 3 to 1
- Adjustable and tamperproof versions available
- All external parts zinc plated

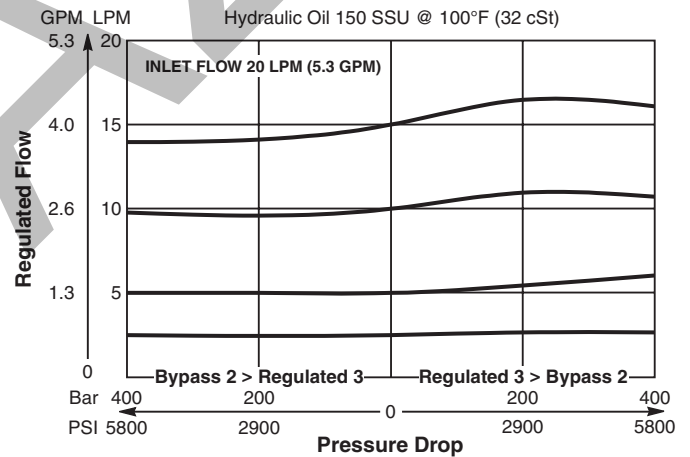


Specifications

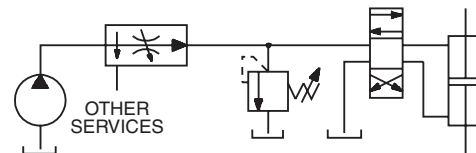
Rated Flow	15 LPM (4 GPM)
Maximum Inlet Pressure	420 Bar (6000 PSI)
Cartridge Material	All parts steel. All operating parts hardened steel.
Fluid Compatibility/Viscosity	Mineral-based or synthetic with lubricating properties at viscosities of 45 to 2000 SSU (6 to 420 cSt)
Filtration	ISO-4406 18/16/13, SAE Class 4
Approx. Weight	.08 kg (.18 lbs.)
Cavity	C08-3 (See BC Section for more details)
Form Tool	Rougher NFT08-3R Finisher NFT08-3F

Performance Curves (Through cartridge only)

Flow Regulating Performance

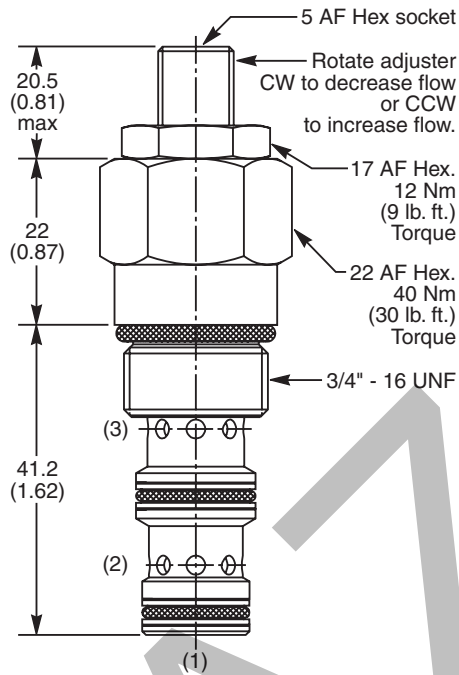


Application



Priority flow on steering circuit

Dimensions Millimeters (Inches)



Ordering Information

J02D3 Pressure Compensated Priority Flow Control Valve	Z Adjustment Style	N Seals
--	------------------------------	-------------------

Code	Adjustment Style
Z	Screw Adjust

*Standard valve has a flow setting of 7 LPM.
 Valves are supplied at Standard setting.
 Other settings are available, please contact Parker Sales.*

Code	Seals / Kit No.	Operating Temp.
N	Nitrile, Buna-N / (SK30501N-1)	-34°C to +121°C (-30°F to +250°F)

*Order Bodies Separately
 See section BC*

B08 08 Size	—	3 3-Way Cavity	—	6B Port Size
-----------------------	---	--------------------------	---	------------------------

Port Size
3/8" BSP

Body Material
Steel

- CV** Check Valves
- SH** Shuttle Valves
- LM** Load/Motor Controls
- FC** Flow Controls
- PC** Pressure Controls
- LE** Logic Elements
- DC** Directional Controls
- SV** Solenoid Valves
- PV** Proportional Valves
- CE** Coils & Electronics
- BC** Bodies & Cavities
- TD** Technical Data

CV
Check Valves
SH
Shuttle Valves
LM
Load/Motor Controls
FC
Flow Controls
PC
Pressure Controls
LF
Logic Elements
DC
Directional Controls
SV
Solenoid Valves
PV
Proportional Valves
CE
Coils & Electronics
BC
Bodies & Cavities
TD
Technical Data

General Description

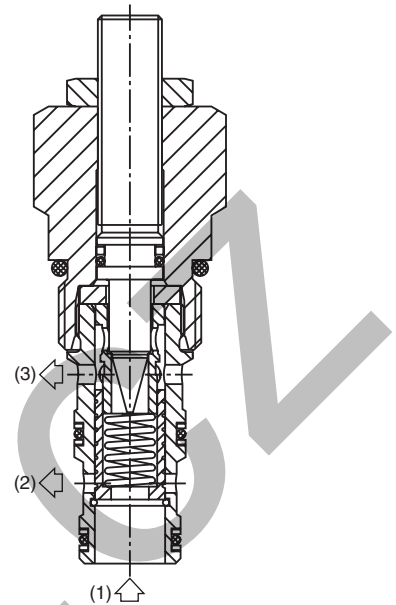
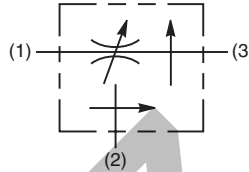
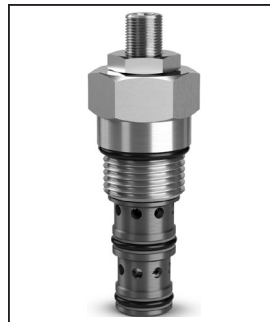
Priority Type, Pressure Compensated Flow Regulator Valve. For additional information see Technical Tips on pages FC1-FC4.

Features

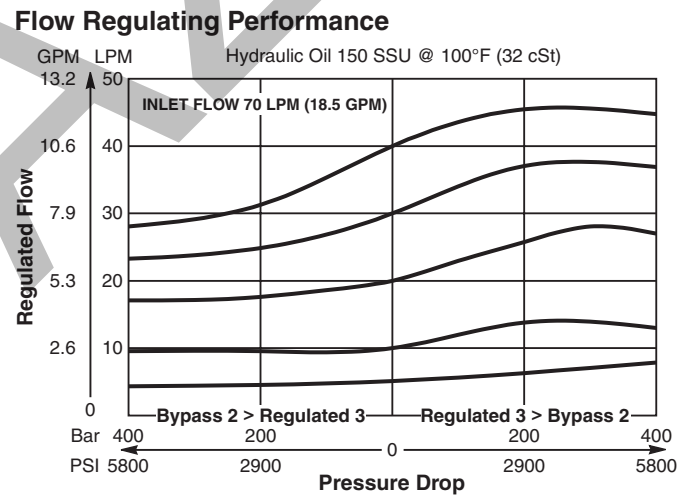
- High flow capacity
- Good adjustment from 2-45 LPM (0.5-12 GPM)
- Used for systems requiring priority flow such as steering systems
- Hardened working parts for maximum durability
- Reverse flow function 3 to 1
- Adjustable and tamperproof versions available
- All external parts zinc plated

Specifications

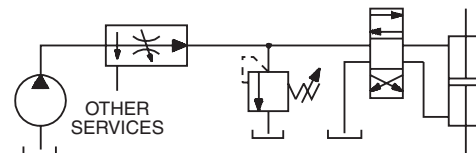
Rated Flow - Inlet	70 LPM (18 GPM)
Maximum Regulated Flow	45 LPM (12 GPM)
Maximum Inlet Pressure	420 Bar (6000 PSI)
Cartridge Material	All parts steel. All operating parts hardened steel.
Fluid Compatibility/ Viscosity	Mineral-based or synthetic with lubricating properties at viscosities of 45 to 2000 SSU (6 to 420 cSt)
Filtration	ISO-4406 18/16/13, SAE Class 4
Approx. Weight	.18 kg (.40 lbs.)
Cavity	C10-3 (See BC Section for more details)
Form Tool	Rougher NFT10-3R Finisher NFT10-3F



Performance Curves (Through cartridge only)

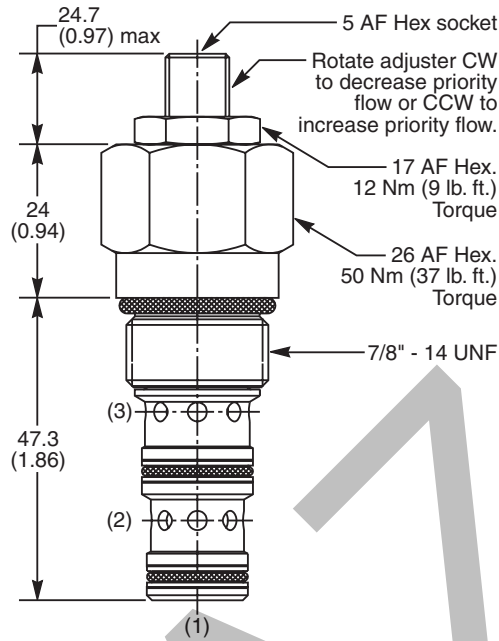


Application



Priority flow on steering circuit

Dimensions Millimeters (Inches)



Ordering Information

J04D3 **Z** **N**
 Pressure Compensated Priority Flow Control Valve Adjustment Style Seals

Code	Adjustment Style
Z	Screw Adjust

Standard valve has a flow setting of 20 LPM.
 Valves are supplied at Standard setting.
 Other settings are available, please contact Parker Sales.

Code	Seals / Kit No.	Operating Temp.
N	Nitrile, Buna-N / (SK30505N-1)	-34°C to +121°C (-30°F to +250°F)

Order Bodies Separately
 See section BC

B10 — **3** — **8B**
 10 Size 3-Way Cavity Port Size

Port Size
1/2" BSP

Body Material
Steel

- CV** Check Valves
- SH** Shuttle Valves
- LM** Load/Motor Controls
- FC** Flow Controls
- PC** Pressure Controls
- LE** Logic Elements
- DC** Directional Controls
- SV** Solenoid Valves
- PV** Proportional Valves
- CE** Coils & Electronics
- BC** Bodies & Cavities
- TD** Technical Data

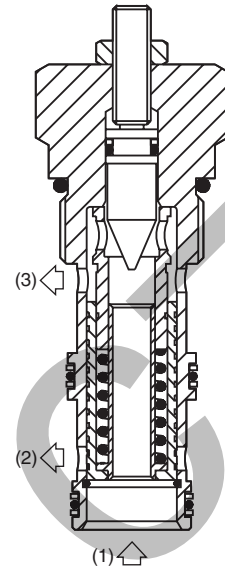
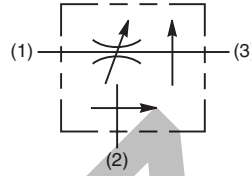
- CV Check Valves
- SH Shuttle Valves
- LM Load/Motor Controls
- FC Flow Controls
- PC Pressure Controls
- LE Logic Elements
- DC Directional Controls
- SV Solenoid Valves
- PV Proportional Valves
- CE Coils & Electronics
- BC Bodies & Cavities
- TD Technical Data

General Description

Priority Style, Pressure Compensated Flow Regulator Valve With Bypass. For additional information see Technical Tips on pages FC1-FC4.

Features

- Free reverse flow function
- High flow capacity
- Used for systems requiring priority flow such as steering systems
- Hardened working parts for maximum durability
- Adjustable and tamperproof versions available
- All external parts zinc plated

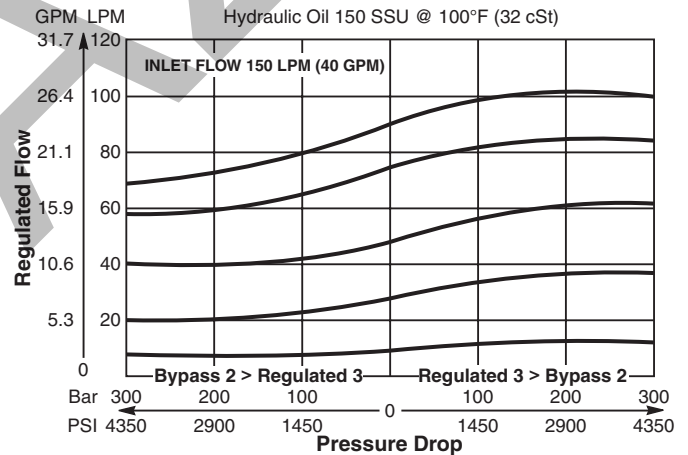


Specifications

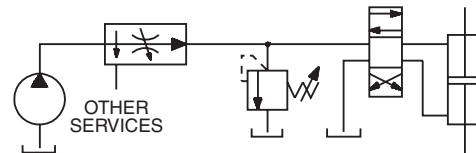
Rated Flow	150 LPM (40 GPM)
Maximum Regulated Flow	90 LPM (24 GPM)
Maximum Inlet Pressure	350 Bar (5000 PSI)
Cartridge Material	All parts steel. All operating parts hardened steel.
Fluid Compatibility/ Viscosity	Mineral-based or synthetic with lubricating properties at viscosities of 45 to 2000 SSU (6 to 420 cSt)
Filtration	ISO-4406 18/16/13, SAE Class 4
Approx. Weight	.45 kg (1.00 lbs.)
Cavity	3A (See BC Section for more details)
Form Tool	See page BC56

Performance Curve (Through cartridge only)

Flow Regulating Performance

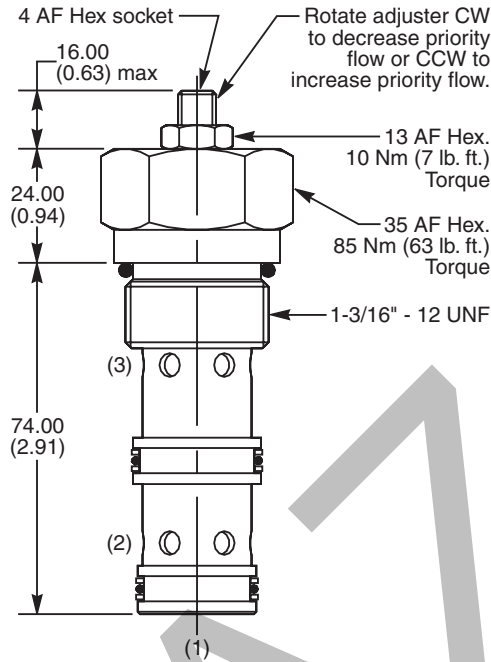


Application



Priority flow on steering circuit

Dimensions Millimeters (Inches)



Ordering Information

J1A125
 Pressure Compensated Priority Flow Control Valve

Z
 Adjustment Style

N
 Seals

Code	Adjustment Style
Z	Screw Adjust

Standard valve has flow setting of 25 LPM and an inlet flow setting of 45 LPM.
 Valves are supplied at Standard setting.
 Other settings are available, please contact Parker Sales.

Code	Seals / Kit No.	Operating Temp.
N	Nitrile, Buna-N / (SK30011N-1)	-34°C to +121°C (-30°F to +250°F)

Order Bodies Separately
 See section BC

LB10 **007** **S**
 Line Body Porting Body Material

Code	Porting
007	3/4" BSP

Code	Body Material
S	Steel

CV
Check Valves

SH
Shuttle Valves

LM
Load/Motor Controls

FC
Flow Controls

PC
Pressure Controls

LE
Logic Elements

DC
Directional Controls

SV
Solenoid Valves

PV
Proportional Valves

CE
Coils & Electronics

BC
Bodies & Cavities

TD
Technical Data