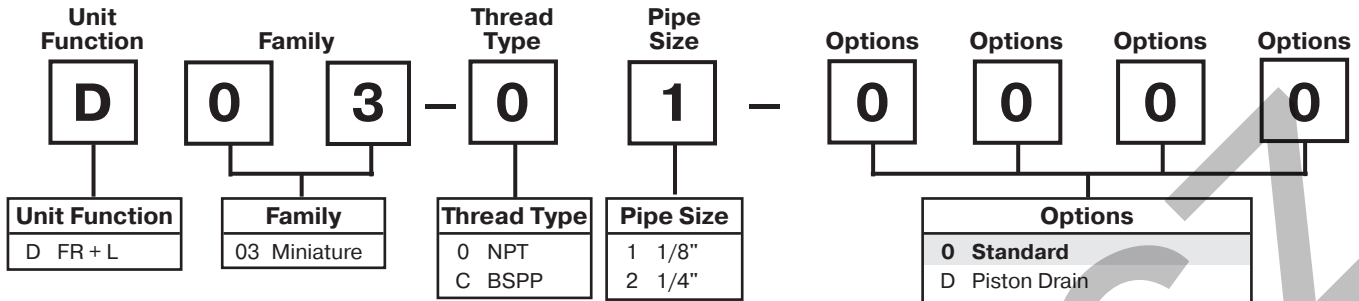


Filter / Regulator-Lubricator Numbering System

 = "Most Popular"

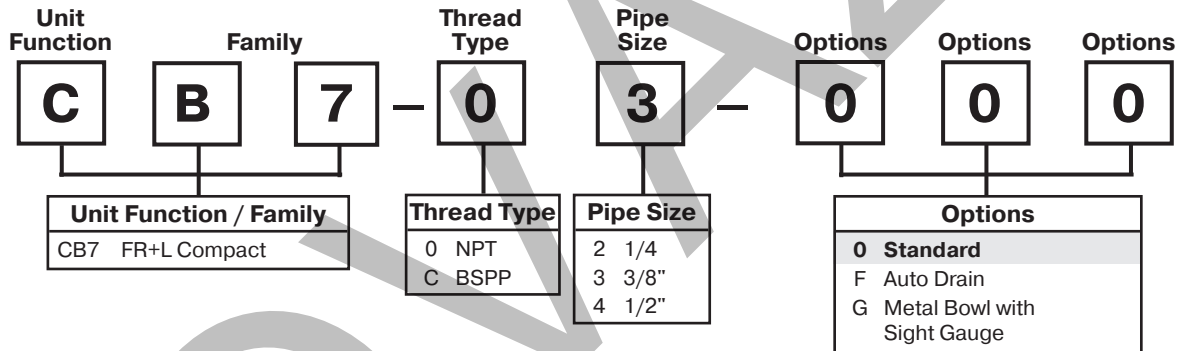


Note: When selecting from the options columns, please enter letters in alphabetical order for positions 6, 7, 8, and 9.
For example: **M 0 3 - 0 1 - D M 0 0**

NOTE: 0000 in position 6, 7, 8 and 9 signifies standard product.
(Poly Bowl, Manual Drain on Filter, no Drain on Lubricator, 2 to 125 PSIG, Relieving)

| Options | |
|-------------------|-----------------------------|
| 0 Standard | |
| D | Piston Drain |
| G* | Pressure Gauge |
| L | 1 to 60 PSI, Relieving |
| M | Metal Bowl |
| N | 2 to 125 PSI, Non-Relieving |
| P | 1 to 30 PSI, Relieving |
| Q | 1 to 15 PSI, Relieving |
| S | 1 to 60 PSI, Non-Relieving |
| T | 1 to 30 PSI, Non-Relieving |
| U | 1 to 15 PSI, Non-Relieving |

* Not available with BSPP thread type.

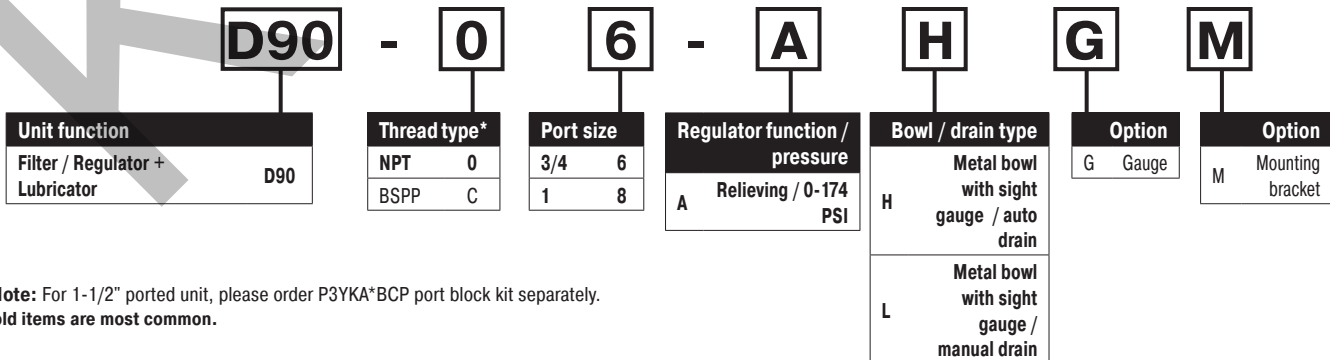


"F" Series Filters, Type "A" 5 micron elements: All Wilkerson Type "A" 5 micron elements meet or exceed ISO Class 3 for maximum particle size and concentration of solid contaminants.

Note: All classes above refer to International Standards Organization (ISO) standard 8573-1, pertaining to maximum particle size and concentration of solid contaminants, and maximum oil content.

NOTE: When selecting from the options columns, please enter letters in alphabetical order for positions 6, 7, 8.
For example:

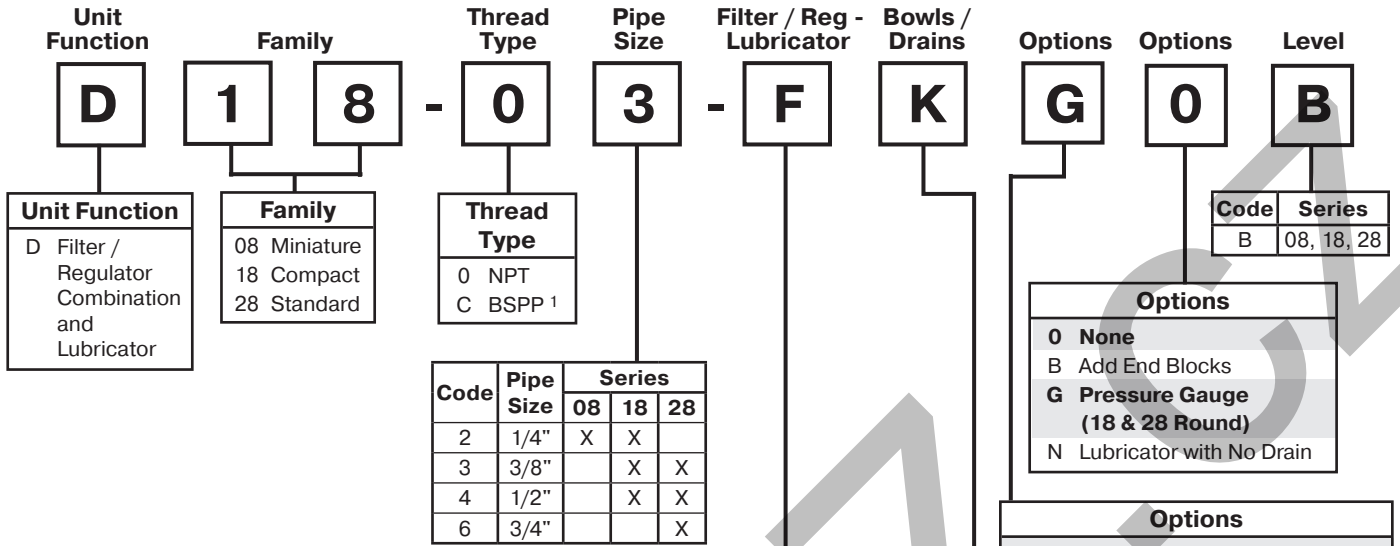
C B 7 - 0 3 - 0 0 0



*Note: For 1-1/2" ported unit, please order P3YKA*BCP port block kit separately.
Bold items are most common.

Filter / Regulator-Lubricator Numbering System

 = "Most Popular"



| Diaphragm Function | Fluorocarbon (18 & 28 Series Only) | Spring Range | | | |
|--------------------|------------------------------------|-----------------------------|-----------------------------|------------------------------|--|
| | | 0 to 30 PSIG (0 to 2.1 bar) | 0 to 60 PSIG (0 to 4.1 bar) | 0 to 125 PSIG (0 to 8.6 bar) | 0 to 250 PSIG ⁴ (0 to 17.2 bar) |
| Relieving | No | C | D | F | G |
| | Yes | J | K | L | M |
| Non-relieving | No | P | W | R | S |
| | Yes | V | X | Y | Z |

Options

| | |
|---|--------------------------------|
| 0 | None |
| B | Add End Blocks |
| G | Pressure Gauge (18 & 28 Round) |
| N | Lubricator with No Drain |

Options

| | |
|---|---|
| 0 | None |
| B | Add End Blocks |
| G | Pressure Gauge (08 Square) ² , (18 & 28 Round) |
| N | Lubricator with No Drain |

| Drains | Bowls | |
|---------------------------------------|------------------------------------|---|
| | Plastic w / Guard Nitrile Standard | Metal w / Sight Gauge ³ Nitrile Standard |
| Automatic Drain (18 & 28 Series Only) | G | H |
| Manual Drain | K | L |
| Piston Drain (08 Series Only) | R | S |

1 ISO, R228 (G Series)
 2 Square gauge included with all D08
 3 08 series has all metal bowl (no sight gauge)
 4 08 series operating range 0 to 232 PSIG (1 to 16 bar)

NOTE: When selecting from the options columns, please enter letters in alphabetical order for positions 7, 8, 9.
For example:

D 18 - 03 - F K G 0 B

"F" Series Filters, Type "A" 5 micron elements: All Wilkerson Type "A" 5 micron elements meet or exceed ISO Class 3 for maximum particle size and concentration of solid contaminants.

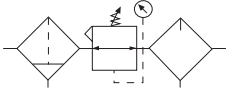
Note: All classes above refer to International Standards Organization (ISO) standard 8573-1, pertaining to maximum particle size and concentration of solid contaminants, and maximum oil content.

Suggested Lubricant

Airline Oil F442001
 Petroleum based oil of 100 to 200 SUS viscosity at 100°F and an aniline point greater than 200°F
 (DO NOT USE OILS WITH ADDITIVES, COMPOUNDED OILS CONTAINING SOLVENTS, GRAPHITE, DETERGENTS, OR SYNTHETIC OILS.)

Combination D03

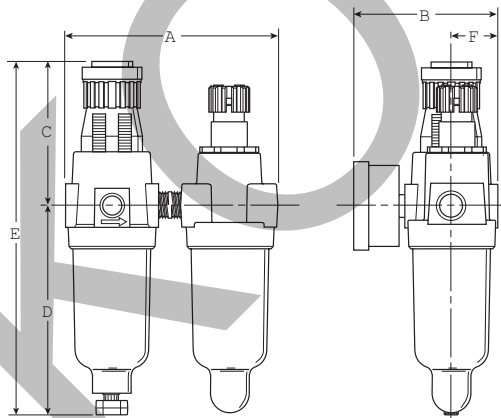
= "Most Popular"



D03-02-0000

Features

- Excellent Water Removal Efficiency
- Unbalanced Poppet Standard
- Solid Control Piston for Extended Life
- Non-rising Adjustment Knob
- Two Full Flow 1/8" Gauge Ports
- Proportional Oil Delivery over a Wide Range of Air Flows
- Precision Needle Valve Assures Repeatable Oil Delivery and Provides Simple Adjustment of Delivery Rate
- Ideal for Low and Light flow Applications with Changing Air Flow
- Transparent Sight Dome for 360° Visibility



Dimensions

| Model | Inches (mm) | A | B | C | D | E | F |
|------------------------------|-------------|--------------|----------------|--------------|--------------|---------------|-------------|
| Standard Unit D03-XX-XXXX | | 3.75 (95) | 2.83 (71.9) | 2.42 (61) | 3.79 (96) | 6.21 (158) | .79 (20) |

Specifications

| | | |
|----------------------------------|--|----------------------------------|
| Flow Capacity* | 1/8 | 20 SCFM (9.4 dm ³ /s) |
| | 1/4 | 20 SCFM (9.4 dm ³ /s) |
| Gauge Ports (2) | 1/8 | |
| Minimum Flow for Lubrication | 0.7 SCFM at 100 PSIG | |
| Port Threads | 1/8, 1/4 | |
| Pressure & Temperature Ratings – | | |
| Plastic Bowl | 0 to 150 PSIG (0 to 10.3 bar) 32°F to 125°F (0°C to 52°C) | |
| Metal Bowl | 0 to 250 PSIG (0 to 17.2 bar) 32°F to 175°F (0°C to 80°C) | |
| Secondary Pressure Ranges – | | |
| Standard Pressure | 2 to 125 PSIG (0 to 8.6 bar) | |
| Medium Pressure | 1 to 60 PSIG (0 to 4.1 bar) | |
| Medium Pressure | 1 to 30 PSIG (0 to 2.1 bar) | |
| Low Pressure | 1 to 15 PSIG (0 to 1.0 bar) | |
| Weight | .9 lb. (.36 kg) | |

* Inlet pressure 100 PSIG (6.9 bar). Secondary pressure 90 PSIG (6.2 bar).


"F" Series Filters, Type "A" 5 micron elements: All Wilkerson Type "A" 5 micron elements **meet or exceed ISO** Class 3 for maximum particle size and concentration of solid contaminants.

Materials of Construction

| | |
|--|---------------------|
| Adjusting Nut | Brass |
| Adjusting Stem & Spring | Steel |
| Body | Zinc |
| Bonnet, Knob, Seat, Piston, Holder & Deflector | Plastic |
| Bowls – | |
| Transparent | Polycarbonate |
| Metal (Without Sight Gauge) | Zinc |
| Filter Elements – 5 Micron (Standard) | Plastic |
| Manual Drain – | |
| Body & Stem | Plastic |
| Seals | Nitrile |
| Piston Drain – | |
| Piston & Seals | Nitrile |
| Stem, Seat, Adaptor & Washers | Aluminum |
| Seals | Nitrile |
| Sight Dome | Polycarbonate |
| Suggested Lubricant | Airline Oil F442001 |

 = "Most Popular"

Note: For Kits and Repair Parts, see individual pages for Filters, Regulators, and Lubricators.

| |
|---|
|  WARNING |
| <p>Product rupture can cause serious injury. Do not connect regulator to bottled gas. Do not exceed maximum primary pressure rating.</p> |

CAUTION:

REGULATOR PRESSURE ADJUSTMENT – The working range of knob adjustment is designed to permit outlet pressures within their full range. Pressure adjustment beyond this range is also possible because the knob is not a limiting device. This is a common characteristic of most industrial regulators, and limiting devices may be obtained only by special design.

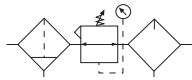
For best performance, regulated pressure should always be set by increasing the pressure up to the desired setting.

Ordering Information

| Model Type | Port Size | Plastic Bowl with Gauge | Metal Bowl with Gauge |
|--------------|-----------|-------------------------|-----------------------|
| Manual Drain | 1/8 | D03-01-G000 | D03-01-GM00 |
| | 1/4 | D03-02-G000 | D03-02-GM00 |

Options - To order an option supplied with the unit model, add the appropriate coded suffix letter in the designated position of the model number.

Combination D08



Specifications

| | | |
|-------------------------|-------------------|--------------------------------------|
| Flow Capacity* | 1/4 | 28 SCFM (14 dm ³ /s, ANR) |
| Gauge Port (2)** | NPT | 1/8 |
| Maximum Supply Pressure | Plastic Bowl | 150 PSIG (10.3 bar) |
| | Metal Bowl | 250 PSIG (17.2 bar) |
| Operating Temperature | Plastic Bowl | 14° to 125°F (-10° to 52°C) |
| | Metal Bowl | 14° to 150°F (-10° to 65.5°C) |
| Port Size | NPT / BSPP-G | 1/4 |
| Standard Filtration | 5 Micron | |
| Weight | 1.43 lb. (0.6 kg) | |

* Inlet pressure 145 PSIG (10 bar), Secondary pressure 100 PSIG (6.9 bar), 14.5 PSIG (1 bar) pressure drop.

"F" Series Filters, Type "A" 5 micron elements: All Wilkerson Type "A" 5 micron elements **meet or exceed ISO** Class 3 for maximum particle size and concentration of solid contaminants.

Gauge supplied with every part. Gauge can be installed on the front or back of the regulator. If no gauge is installed, both seal screws must be installed.

Features

- Components Integrated into Single Unit
- Modern Design and Appearance
- Light Weight, Ready-to-Mount Assembly Comes Standard with Flush-Mount Pressure Gauge and Modular T-Bracket / Joiner Assembly
- High Flow Capacity
- Quick-Disconnect Bowl / Bowl Guard

Materials of Construction

| | | |
|--------------------|---------------------------|---------------|
| Body | Aluminum | |
| Bonnet | Glass-filled Nylon | |
| Bowls | Plastic Bowl | Polycarbonate |
| | Metal Bowl | Aluminum |
| Diaphragm Assembly | Stainless Steel / Nitrile | |
| Filter Element | Polyethylene | |
| Knob | Acetal | |
| Seals | Plastic Bowl | Nitrile |
| | Metal Bowl | Nitrile |
| Sight Dome | Polycarbonate | |
| Springs | Steel | |
| Valve | Brass / Nitrile | |

Suggested Lubricant

Airline Oil F442001

Petroleum based oil of 100 to 200 SUS viscosity at 100°F and an aniline point greater than 200°F

(DO NOT USE OILS WITH ADDITIVES, COMPOUNDED OILS CONTAINING SOLVENTS, GRAPHITE, DETERGENTS, OR SYNTHETIC OILS.)

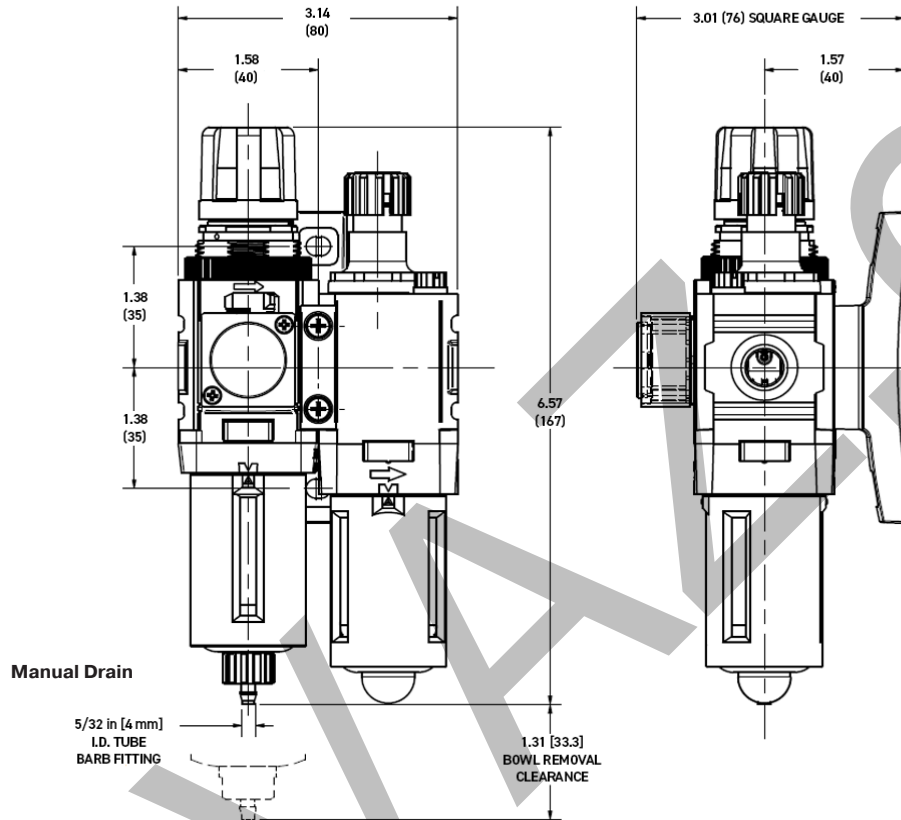
Ordering Information

| Model | Port Size | Plastic Bowl w / Plastic Bowl Guard 0 to 125 PSI (0 to 8.6 bar) With Gauge | Metal Bowl w / 0 to 125 PSI (0 to 8.6 bar) With Gauge |
|--------------|-----------|---|---|
| Manual Drain | 1/4 | D08-02-FKG0B | D08-02-FLG0B |

Options - To order an option supplied with the unit model, add the appropriate coded suffix letter in the designated position of the model number.

 = "Most Popular"

Note: For Kits and Repair Parts, see individual pages for Filters, Regulators, and Lubricators.



Inches (mm)

WARNING

**Product rupture can cause serious injury.
Do not connect regulator to bottled gas.
Do not exceed maximum primary pressure rating.**

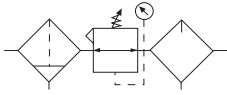
CAUTION:

REGULATOR PRESSURE ADJUSTMENT – The working range of knob adjustment is designed to permit outlet pressures within their full range. Pressure adjustment beyond this range is also possible because the knob is not a limiting device. This is a common characteristic of most industrial regulators, and limiting devices may be obtained only by special design.

For best performance, regulated pressure should always be set by increasing the pressure up to the desired setting.

Combination CB7

= "Most Popular"



CB7-02-000

Features

- Components Integrated into Single Unit
- Metal Bowl with Sight Gauge Option
- Pressure Gauge Standard
- Integral Plastic Bowl / Bowl Guard
- Quick Disconnect Bowl
- Standard Self-relieving

Specifications

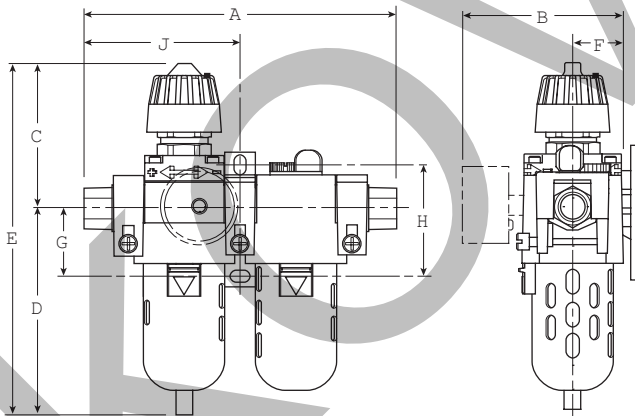
| | | |
|----------------------------------|-------------------|--|
| Flow Capacity* | 1/4 | 36.1 SCFM (17.0 dm ³ /s) |
| | 3/8 | 58.5 SCFM (27.6 dm ³ /s) |
| | 1/2 | 64.0 SCFM (30.2 dm ³ /s) |
| Gauge Ports (2) | NPT / BSPP-G | 1/4 |
| Port Threads | NPT | 1/4, 3/8, 1/2 |
| Pressure & Temperature Ratings – | Plastic Bowl | 0 to 150 PSIG (0 to 10.3 bar) 32°F to 125°F (0°C to 52°C) |
| | Metal Bowl | 0 to 200 PSIG (0 to 14 bar) 32°F to 175°F (0°C to 80°C) |
| Weight | 5.58 lb. (2.5 kg) | |

* Inlet pressure 150 PSIG (10.3 bar). Pressure drop 5 PSID (0.3 bar).

"F" Series Filters, Type "A" 5 micron elements: All Wilkerson Type "A" 5 micron elements **meet or exceed ISO Class 3** for maximum particle size and concentration of solid contaminants.

Materials of Construction

| | | |
|--------------------------------------|-------------------------------|---------------|
| Body | Zinc | |
| Bonnet, Knob | PBT | |
| Bowls – | Transparent | Polycarbonate |
| | Metal | Zinc |
| Diaphragm | Nitrile / Zinc | |
| Drain Stem | Acetal / Polycarbonate | |
| Filter Elements | Polypropylene | |
| Manual Drain – | Body & Stem | Plastic |
| | Seals | Nitrile |
| Piston Drain – | Piston & Seals | Nitrile |
| | Stem, Seat, Adaptor & Washers | Aluminum |
| Seals – | Transparent | Nitrile |
| | Metal | Fluorocarbon |
| Sight Dome | Nylon | |
| Springs | Steel | |
| Stem, Element Retainer and Deflector | Acetal | |
| Suggested Lubricant | Airline Oil F442001 | |




Dimensions

| Model | Inches (mm) | A | B | C | D | E | F | G | H | J |
|---|-------------|---------------|---------------|--------------|-----------------|---------------|--------------|--------------|----------------|--------------|
| Standard Unit With End Blocks CB7-XX-000 | | 8.35 (212) | 4.18 (106) | 3.95 (44) | 5.43 (137.9) | 9.38 (238) | 1.34 (34) | 1.73 (44) | 2.98 (75.7) | 4.17 (76) |

 = "Most Popular"

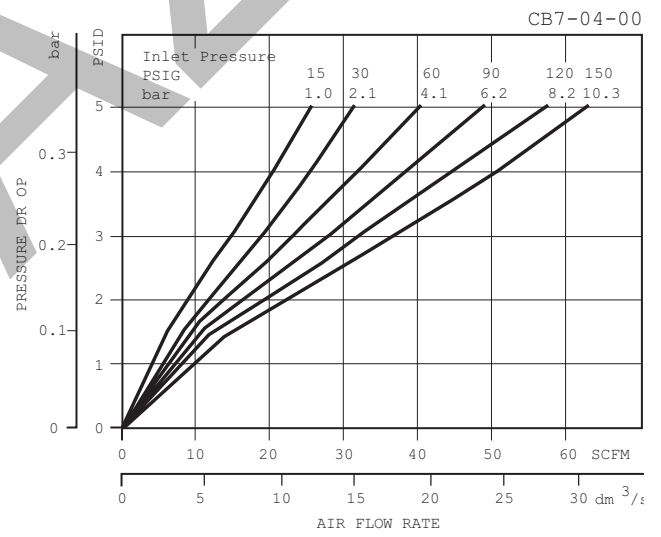
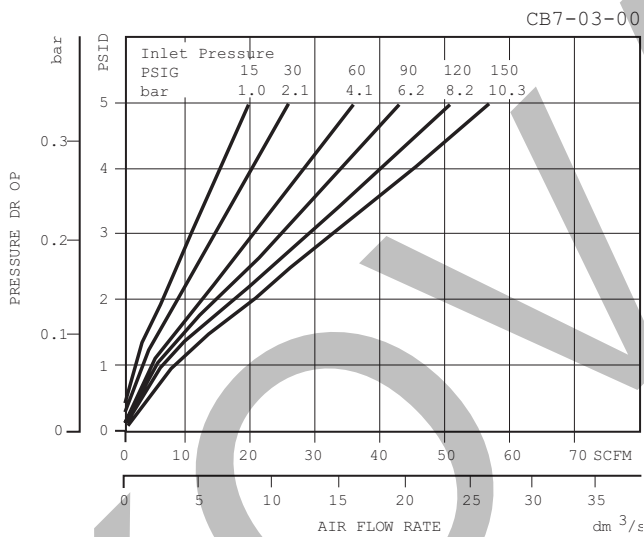
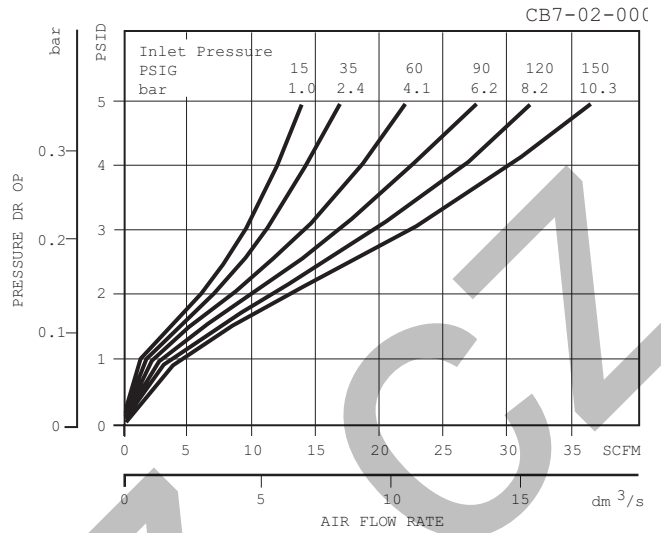
Note: For Kits and Repair Parts, see individual pages for Filters, Regulators, and Lubricators.

| |
|--|
|  WARNING |
| Product rupture can cause serious injury. Do not connect regulator to bottled gas. Do not exceed maximum primary pressure rating. |

CAUTION:

REGULATOR PRESSURE ADJUSTMENT – The working range of knob adjustment is designed to permit outlet pressures within their full range. Pressure adjustment beyond this range is also possible because the knob is not a limiting device. This is a common characteristic of most industrial regulators, and limiting devices may be obtained only by special design.

For best performance, regulated pressure should always be set by increasing the pressure up to the desired setting.

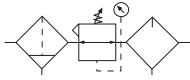


Ordering Information

| Model Type | Port Size | Plastic Bowl / Bowl Guard with End Blocks 0 to 125 PSIG (0 to 8.5 bar) | Metal Bowl / Sight Gauge 0 to 125 PSIG (0 to 8.5 bar) | Automatic Drain 0 to 125 PSIG (0 to 8.5 bar) |
|------------|-----------|--|---|--|
| CB7 | 1/4 | CB7-02-000 | CB7-02-G00 | CB7-02-F00 |
| | 3/8 | CB7-03-000 | CB7-03-G00 | CB7-03-F00 |
| | 1/2 | CB7-04-000 | CB7-04-G00 | CB7-04-F00 |

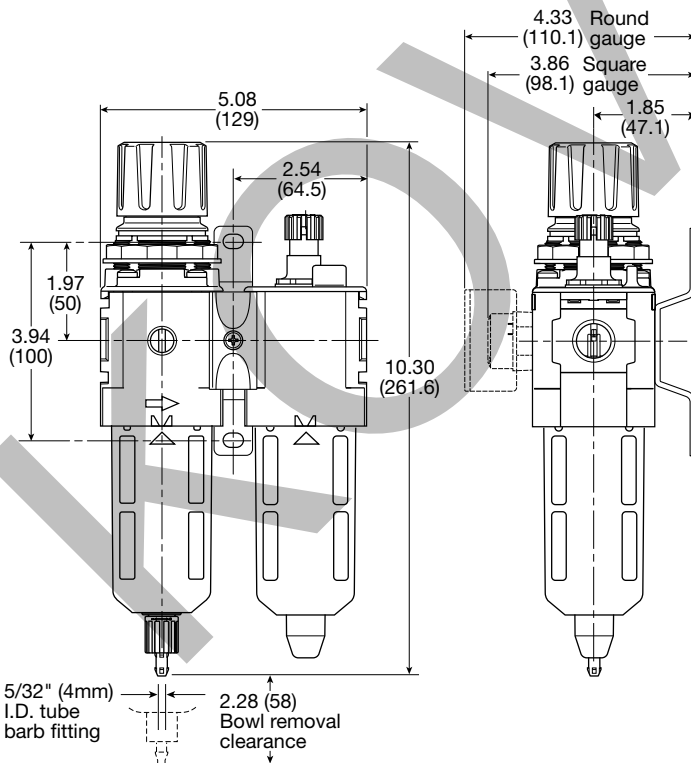
Options - To order an option supplied with the unit model, add the appropriate coded suffix letter in the designated position of the model number.

Combination D18



Features

- Components Integrated into Single Unit
- Modern Design and Appearance
- Light Weight, Ready-to-Mount Assembly Comes Standard with Pressure Gauge and Modular T-Bracket / Joiner Assembly
- High Flow Capacity
- Quick-Disconnect Bowl / Bowl Guard



Manual Drain

Inches (mm)

Specifications

| | | |
|-------------------------|-------------------|--------------------------------------|
| Flow Capacity* | 1/4 | 45 SCFM (22 dm ³ /s, ANR) |
| | 3/8 | 70 SCFM (33 dm ³ /s, ANR) |
| | 1/2 | 90 SCFM (43 dm ³ /s, ANR) |
| Gauge Port (2) | NPT / BSPP-G | 1/4 |
| Maximum Supply Pressure | Plastic Bowl | 150 PSIG (10.3 bar) |
| | Metal Bowl | 250 PSIG (17.2 bar) |
| Operating Temperature | Plastic Bowl | -13° to 125°F (-25° to 52°C) |
| | Metal Bowl | -13° to 150°F (-25° to 65.5°C) |
| Port Size | NPT / BSPP-G | 1/4, 3/8, 1/2 |
| Standard Filtration | 5 Micron | |
| Weight | 2.98 lb. (1.3 kg) | |

* Inlet pressure 145 PSIG (10 bar), Secondary pressure 91.3 PSIG (6.3 bar), 14.5 PSIG (1 bar) pressure drop.


"F" Series Filters, Type "A" 5 micron elements: All Wilkerson Type "A" 5 micron elements **meet or exceed ISO Class 3** for maximum particle size and concentration of solid contaminants.

Materials of Construction

| | | |
|---|-------------------------|--------------------------|
| Body | Aluminum | |
| Body Cap | ABS | |
| Bonnet / Knob | Nylon / Acetal | |
| Bowls | Plastic Bowl | Polycarbonate |
| | Metal Bowl | Aluminum |
| Diaphragm Assembly | Nitrile / Steel | |
| Element Retainer / Baffle and Deflector | Acetal Polypropylene | |
| Filter Element | 5 micron | Polyethylene |
| Seals | Plastic Bowl | Nitrile |
| | Metal Bowl | Nitrile |
| Sight Dome | Polycarbonate | |
| Sight Gauge | Polyamide (Nylon) | |
| Springs | Main Regulating Valve | Steel Stainless Steel |
| | | |
| Suggested Lubricant | Airline Oil F442001 | |
| Valve Assembly | Brass / Nitrile | |

 = "Most Popular"

Note: For Kits and Repair Parts, see individual pages for Filters, Regulators, and Lubricators.

| |
|---|
|  WARNING |
| <p>Product rupture can cause serious injury. Do not connect regulator to bottled gas. Do not exceed maximum primary pressure rating.</p> |

CAUTION:

REGULATOR PRESSURE ADJUSTMENT – The working range of knob adjustment is designed to permit outlet pressures within their full range. Pressure adjustment beyond this range is also possible because the knob is not a limiting device. This is a common characteristic of most industrial regulators, and limiting devices may be obtained only by special design.

For best performance, regulated pressure should always be set by increasing the pressure up to the desired setting.

OVERVIEW

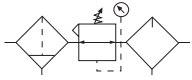
Ordering Information

| Model Type | Port Size | Plastic Bowl / Bowl Guard Without Gauge 0 to 125 PSI (0 to 8.6 bar) | Plastic Bowl / Bowl Guard With Gauge 0 to 125 PSI (0 to 8.6 bar) |
|------------------------|-----------|--|---|
| Manual Drain | 1/4 | D18-02-FK00B | D18-02-FKG0B |
| | 3/8 | D18-03-FK00B | D18-03-FKG0B |
| | 1/2 | D18-04-FK00B | D18-04-FKG0B |
| Automatic Drain | 1/4 | D18-02-FG00B | D18-02-FGG0B |
| | 3/8 | D18-03-FG00B | D18-03-FGG0B |
| | 1/2 | D18-04-FG00B | D18-04-FGG0B |

Options - To order an option supplied with the unit model, add the appropriate coded suffix letter in the designated position of the model number.

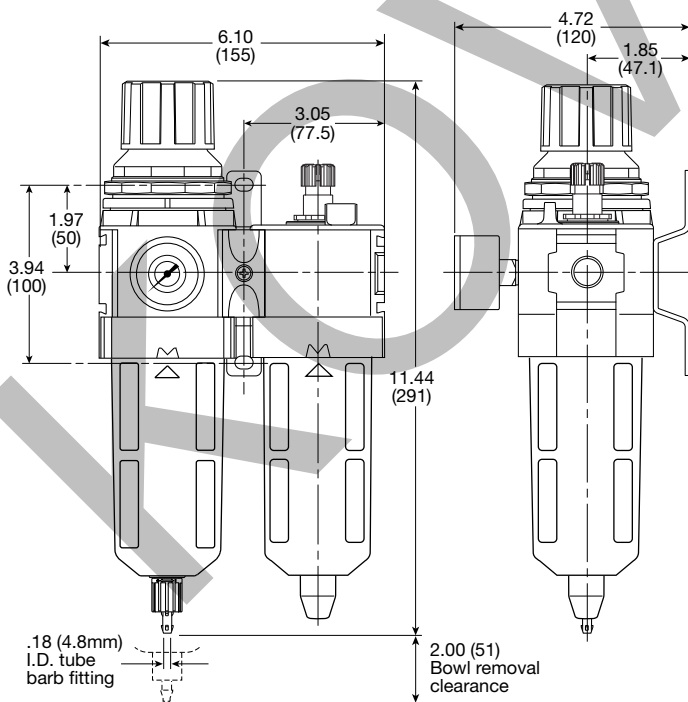
Combination D28

= "Most Popular"



Features

- Components Integrated into Single Unit
- Modern Design and Appearance
- Light Weight, Ready-to-Mount Assembly Comes Standard with Pressure Gauge and Modular T-Bracket / Joiner Assembly
- High Flow Capacity
- Quick-Disconnect Bowl / Bowl Guard



Manual Drain

Inches (mm)

Specifications

| | | |
|-------------------------|-------------------|---------------------------------------|
| Flow Capacity* | 3/8 | 110 SCFM (52 dm ³ /s, ANR) |
| | 1/2 | 110 SCFM (52 dm ³ /s, ANR) |
| | 3/4 | 150 SCFM (71 dm ³ /s, ANR) |
| Maximum Supply Pressure | Plastic Bowl | 150 PSIG (10.3 bar) |
| | Metal Bowl | 250 PSIG (17.2 bar) |
| Operating Temperature | Plastic Bowl | -13° to 125°F (-25° to 52°C) |
| | Metal Bowl | -13° to 150°F (-25° to 65.5°C) |
| Port Size | NPT/BSPP-G | 3/8, 1/2, 3/4 |
| Standard Filtration | 5 Micron | |
| Weight | 4.65 lb. (2.1 kg) | |

* Inlet pressure 145 PSIG (10 bar), Secondary pressure 91.3 PSIG (6.3 bar), 14.5 PSIG (1 bar) pressure drop.

"F" Series Filters, Type "A" 5 micron elements: All Wilkerson Type "A" 5 micron elements **meet or exceed ISO Class 3** for maximum particle size and concentration of solid contaminants.

Materials of Construction

| | | |
|---|--------------------------|-------------------|
| Body | Aluminum | |
| Body Cap | ABS | |
| Bonnet / Knob | Nylon / Acetal | |
| Bowls | Plastic Bowl | Polycarbonate |
| | Metal Bowl | Aluminum |
| Diaphragm Assembly | Nitrile / Zinc | |
| Element Retainer / Baffle and Deflector | Acetal Polypropylene | |
| Filter Element | Polyethylene | |
| Seals | Plastic Bowl | Nitrile |
| | Metal Bowl | Nitrile |
| Sight Dome | Polycarbonate | |
| Sight Gauge | Metal Bowl | Polyamide (Nylon) |
| Springs | Main Regulating Valve | Steel |
| | | Stainless Steel |
| Suggested Lubricant | Airline Oil F442001 | |
| Valve Assembly | Brass / Nitrile / Acetal | |

 = "Most Popular"

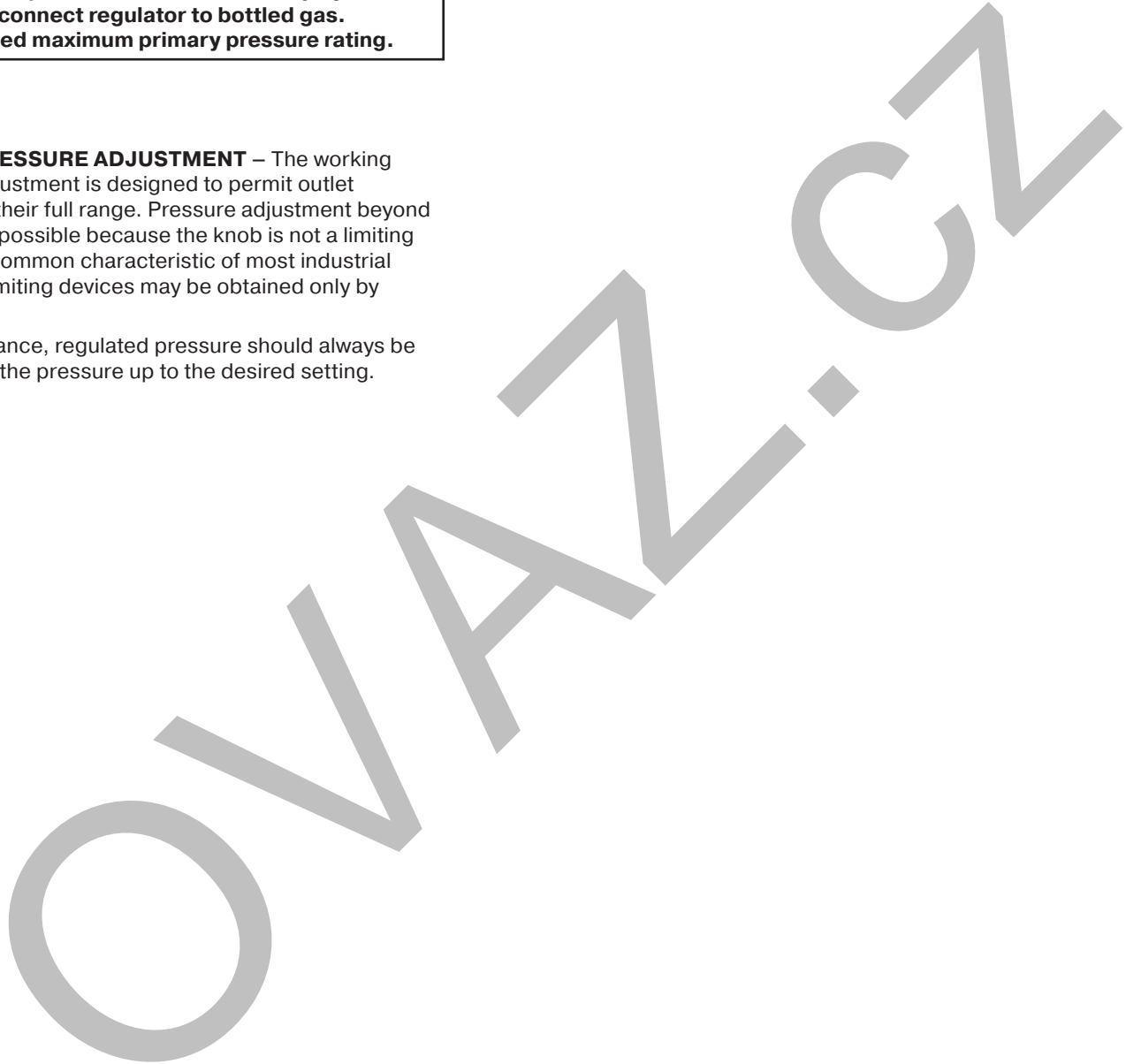
Note: For Kits and Repair Parts, see individual pages for Filters, Regulators, and Lubricators.

| |
|--|
| ⚠ WARNING |
| Product rupture can cause serious injury. Do not connect regulator to bottled gas. Do not exceed maximum primary pressure rating. |

CAUTION:

REGULATOR PRESSURE ADJUSTMENT – The working range of knob adjustment is designed to permit outlet pressures within their full range. Pressure adjustment beyond this range is also possible because the knob is not a limiting device. This is a common characteristic of most industrial regulators, and limiting devices may be obtained only by special design.

For best performance, regulated pressure should always be set by increasing the pressure up to the desired setting.



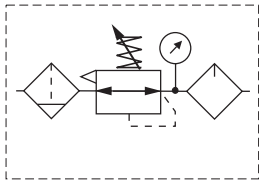
Ordering Information

| Model Type | Port Size | Plastic Bowl / Bowl Guard With Gauge 0 to 125 PSI (0 to 8.6 bar) | Metal Bowl / Sight Gauge With Gauge 0 to 125 PSI (0 to 8.6 bar) | Plastic Bowl / Bowl Guard With Gauge & End Blocks 0 to 125 PSI(0 to 8.6 bar) |
|-----------------|-----------|---|--|---|
| Manual Drain | 3/8 | D28-03-FKG0B | D28-03-FLG0B | D28-03-FKBGB |
| | 1/2 | D28-04-FKG0B | D28-04-FLG0B | D28-04-FKBGB |
| | 3/4 | D28-06-FKG0B | D28-06-FLG0B | D28-06-FKBGB |
| Automatic Drain | 3/8 | D28-03-FGG0B | D28-03-FHG0B | D28-03-FGBGB |
| | 1/2 | D28-04-FGG0B | D28-04-FHG0B | D28-04-FGBGB |
| | 3/4 | D28-06-FGG0B | D28-06-FHG0B | D28-06-FGBGB |

Options - To order an option supplied with the unit model, add the appropriate coded suffix letter in the designated position of the model number.

Combination D90

= "Most Popular"



Options

| | | | | | | | | | | | | |
|---------------------------------|------------|------------------------|---|----------------------------|---|--------------------------------|---|--|---|----------------|---|---------------------------|
| D90 | - | 0 | - | 6 | - | A | - | H | - | G | - | M |
| Unit function | | Thread type* | | Port size | | Regulator function / pressure | | Bowl / drain type | | Option | | Option |
| Filter / Regulator + Lubricator | D90 | NPT 0 BSPP C | | 3/4 6 1 8 | | A Relieving / 0-174 PSI | | H Metal bowl with sight gauge / auto drain L Metal bowl with sight gauge / manual drain | | G Gauge | | M Mounting bracket |

*Note: For 1-1/2" ported unit, please order P3YKA*BCP port block kit separately.
Bold items are most common.


Filter / Regulator + Lubricator Combinations 5 micron element, 12 bar (174 psig) regulator + gauge and wall mounting bracket

Ordering information

| Port size | Flow† scfm | Weight kg (lb) | Combined manual / semi-auto drain part number† | Auto drain part number† |
|-----------|------------|----------------|--|-------------------------|
| 3/4" | 315 | 2.8 (6.2) | D90-06-ALGM | D90-06-AHGM |
| 1" | 340 | 2.8 (6.2) | D90-08-ALGM | D90-08-AHGM |

† Standard part numbers shown in bold. For other models refer to Options chart below.
‡ Flow with 10 bar (145 psig) inlet pressure, 6.3 bar (91.4 psig) set pressure and 1 bar (14.5 psig) pressure drop.

Note: For Kits and Repair Parts, see individual pages for Filters, Regulators, and Lubricators.

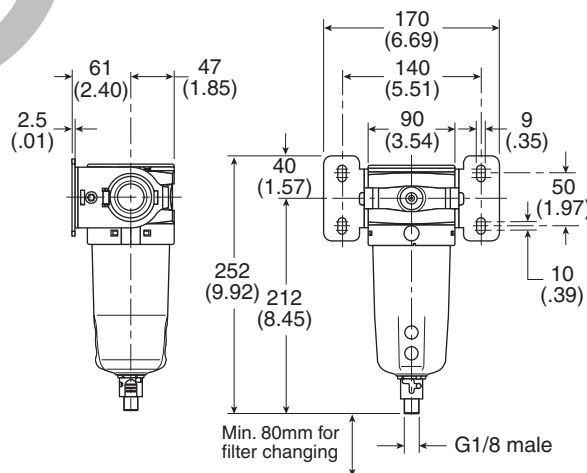
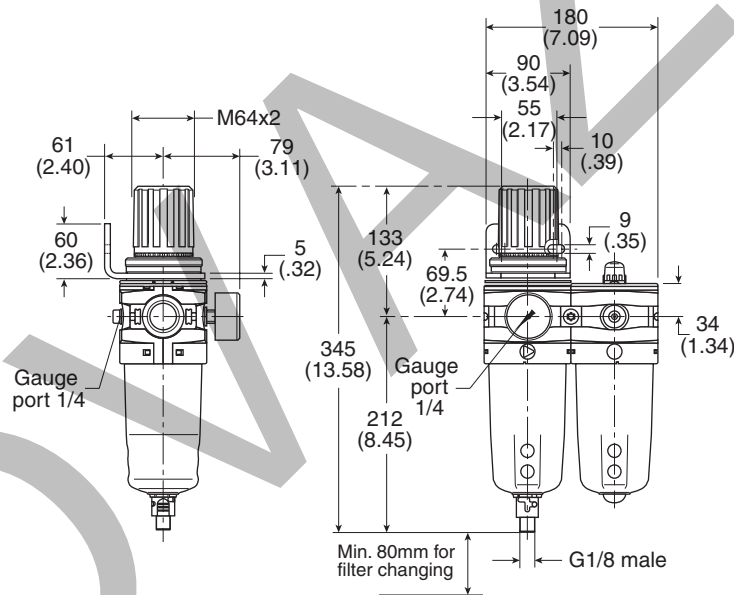
| |
|--|
|  WARNING |
| Product rupture can cause serious injury. Do not connect regulator to bottled gas. Do not exceed maximum primary pressure rating. |

CAUTION:

REGULATOR PRESSURE ADJUSTMENT – The working range of knob adjustment is designed to permit outlet pressures within their full range. Pressure adjustment beyond this range is also possible because the knob is not a limiting device. This is a common characteristic of most industrial regulators, and limiting devices may be obtained only by special design.

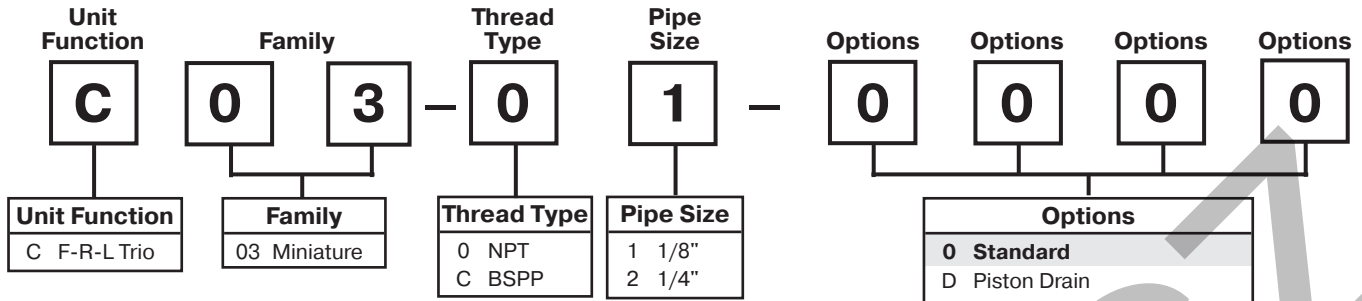
For best performance, regulated pressure should always be set by increasing the pressure up to the desired setting.

Dimensions mm (inches)



Combination Numbering System

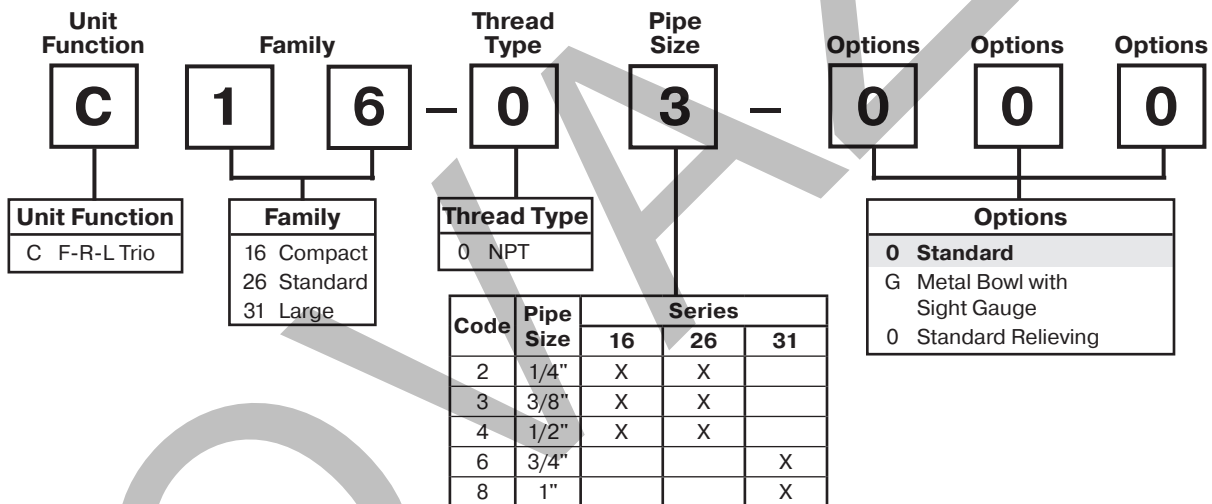
 = "Most Popular"



Note: When selecting from the options columns, please enter letters in alphabetical order for positions 6, 7, 8, and 9.
For example: **M03-01-DM00**

NOTE: 0000 in position 6, 7, 8 and 9 signifies standard product.
(Poly Bowl, Manual Drain on Filter, no Drain on Lubricator, 2 to 125 PSIG, Relieving)

* Not available with BSPP thread type.

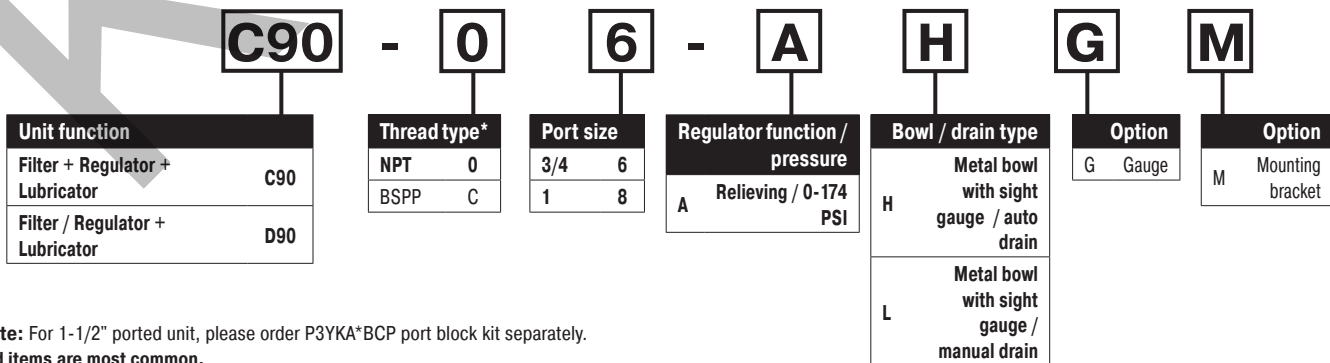


"F" Series Filters, Type "A" 5 micron elements: All Wilkerson Type "A" 5 micron elements meet or exceed ISO Class 3 for maximum particle size and concentration of solid contaminants.

Note: All classes above refer to International Standards Organization (ISO) standard 8573-1, pertaining to maximum particle size and concentration of solid contaminants, and maximum oil content.

NOTE: When selecting from the options columns, please enter letters in alphabetical order for positions 6, 7, 8.
For example:

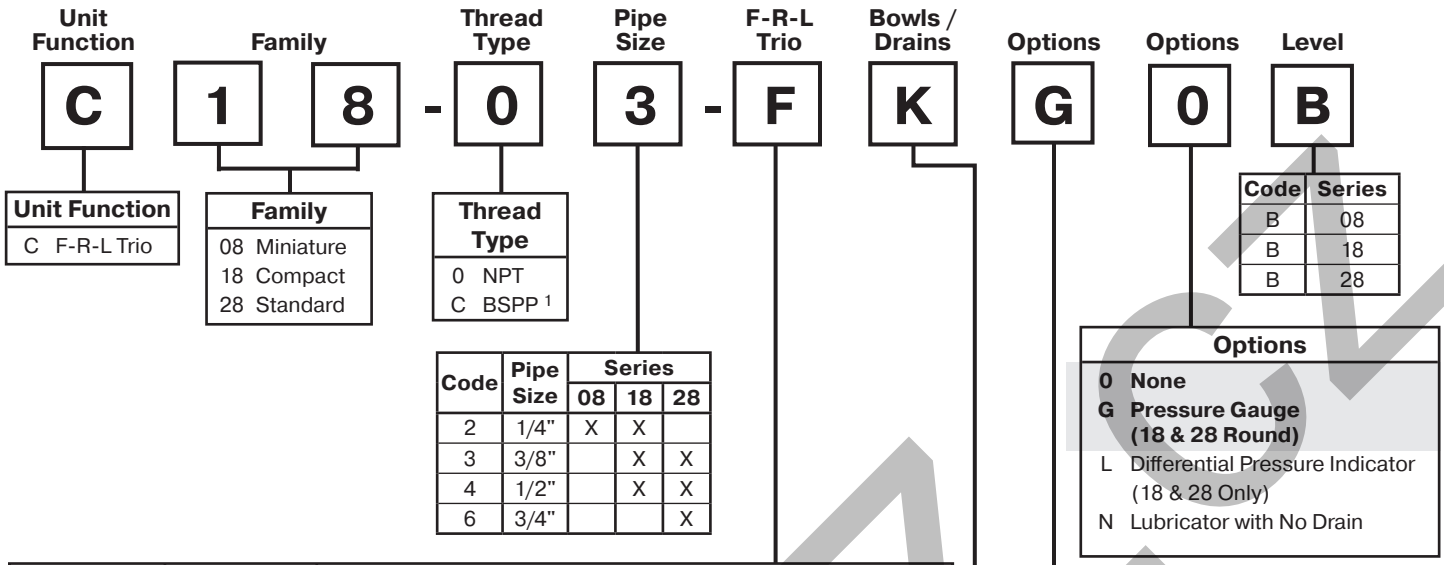
C16-03-000



*Note: For 1-1/2" ported unit, please order P3YKA*BCP port block kit separately.
Bold items are most common.

Combination Numbering System

 = "Most Popular"



| Diaphragm Function | Fluorocarbon (18 & 28 Series Only) | Spring Range | | | |
|--------------------|------------------------------------|-----------------------------|-----------------------------|------------------------------|--|
| | | 0 to 30 PSIG (0 to 2.1 bar) | 0 to 60 PSIG (0 to 4.1 bar) | 0 to 125 PSIG (0 to 8.6 bar) | 0 to 250 PSIG ⁴ (0 to 17.2 bar) |
| Relieving | No | C | D | F | G |
| | Yes | J | K | L | M |
| Non-relieving | No | P | W | R | S |
| | Yes | V | X | Y | Z |

| Options | |
|----------|--|
| 0 | None |
| G | Pressure Gauge (18 & 28 Round) |
| L | Differential Pressure Indicator (18 & 28 Only) |
| N | Lubricator with No Drain |

| Options | |
|----------|--|
| 0 | None |
| B | Add End Blocks |
| G | Pressure Gauge (08 Square)² |
| L | Differential Pressure Indicator (18 & 28 Only) |
| N | Lubricator with No Drain |

Wilkerson combination models are offered with the T-bracket(s) as standard.

| Drains | Bowls | |
|---------------------------------------|------------------------------------|---|
| | Plastic w / Guard Nitrile Standard | Metal w/Sight Gauge ³ Nitrile Standard |
| Automatic Drain (18 & 28 Series Only) | G | H |
| Manual Drain | K | L |
| Piston Drain (08 Series Only) | R | S |

- ¹ ISO, R228 (G Series)
- ² Square gauge included with all C08
- ³ 08 series has all metal bowl (no sight gauge).
- ⁴ 08 series operating range 0 to 232 PSIG (1 to 16 bar).

"F" Series Filters, Type "A" 5 micron elements: All Wilkerson Type "A" 5 micron elements **meet or exceed** ISO Class 3 for maximum particle size and concentration of solid contaminants.

NOTE: All classes above refer to International Standards Organization (ISO) standard 8573-1, pertaining to maximum particle size and concentration of solid contaminants, and maximum oil content.

***Note:** For 1-1/2" ported unit, please order P3YKA*BCP port block kit separately.

NOTE: When selecting from the options columns, please enter letters in alphabetical order for positions 7, 8, 9. For example:

C 1 8 - 0 3 - F K G 0 B

Suggested Lubricant

Airline Oil F442001
 Petroleum based oil of 100 to 200 SUS viscosity at 100°F and an aniline point greater than 200°F
 (DO NOT USE OILS WITH ADDITIVES, COMPOUNDED OILS CONTAINING SOLVENTS, GRAPHITE, DETERGENTS, OR SYNTHETIC OILS.)

Combination C03

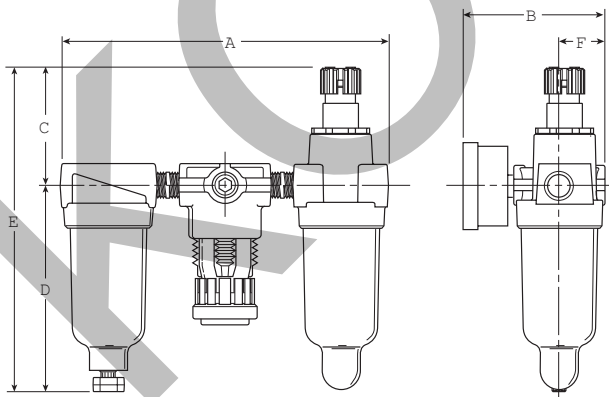
= "Most Popular"



C03-02-0000

Features

- Excellent Water Removal Efficiency
- Unbalanced Poppet Standard
- Solid Control Piston for Extended Life
- Non-rising Adjustment Knob
- Two Full Flow 1/8" Gauge Ports
- Proportional Oil Delivery over a Wide Range of Air Flows
- Precision Needle Valve Assures Repeatable Oil Delivery and Provides Simple Adjustment of Delivery Rate
- Ideal for Low and Light flow Applications with Changing Air Flow
- Transparent Sight Dome for 360° Visibility
- Regulator can be mounted with knob in up or down position. (Factory supplied in down position)



Dimensions

| Model | Inches (mm) | A | B | C | D | E | F |
|------------------------------|-------------|---------------|----------------|--------------|--------------|---------------|-------------|
| Standard Unit C03-XX-XXXX | | 5.77 (147) | 2.83 (71.9) | 2.16 (55) | 3.82 (97) | 5.98 (152) | .79 (20) |

Specifications

| | | |
|----------------------------------|--|----------------------------------|
| Flow Capacity* | 1/8 | 20 SCFM (9.4 dm ³ /s) |
| | 1/4 | 20 SCFM (9.4 dm ³ /s) |
| Gauge Ports (2) | 1/8 | |
| Minimum Flow for Lubrication | 0.7 SCFM at 100 PSIG | |
| Port Threads | 1/8, 1/4 | |
| Pressure & Temperature Ratings – | | |
| Plastic Bowl | 0 to 150 PSIG (0 to 10.3 bar) 32°F to 125°F (0°C to 52°C) | |
| Metal Bowl | 0 to 250 PSIG (0 to 17.2 bar) 32°F to 175°F (0°C to 80°C) | |
| Secondary Pressure Ranges – | | |
| Standard Pressure | 2 to 125 PSIG (0 to 8.6 bar) | |
| Medium Pressure | 1 to 60 PSIG (0 to 4.1 bar) | |
| Medium Pressure | 1 to 30 PSIG (0 to 2.1 bar) | |
| Low Pressure | 1 to 15 PSIG (0 to 1.0 bar) | |
| Weight | .9 lb. (.36 kg) | |

* Inlet pressure 100 PSIG (6.9 bar). Secondary pressure 90 PSIG (6.2 bar).


"F" Series Filters, Type "A" 5 micron elements: All Wilkerson Type "A" 5 micron elements **meet or exceed ISO Class 3** for maximum particle size and concentration of solid contaminants.

Materials of Construction

| | |
|--|---------------------|
| Adjusting Nut | Brass |
| Adjusting Stem & Spring | Steel |
| Body | Zinc |
| Bonnet, Knob, Seat, Piston, Holder & Deflector | Plastic |
| Bowls – | |
| Transparent | Polycarbonate |
| Metal (Without Sight Gauge) | Zinc |
| Filter Elements – 5 Micron (Standard) | Plastic |
| Manual Drain – | |
| Body & Stem | Plastic |
| Seals | Nitrile |
| Piston Drain – | |
| Piston & Seals | Nitrile |
| Stem, Seat, Adaptor & Washers | Aluminum |
| Seals | Nitrile |
| Sight Dome | Polycarbonate |
| Suggested Lubricant | Airline Oil F442001 |

 = "Most Popular"

Note: For Kits and Repair Parts, see individual pages for Filters, Regulators, and Lubricators.

| |
|---|
|  WARNING |
| <p>Product rupture can cause serious injury. Do not connect regulator to bottled gas. Do not exceed maximum primary pressure rating.</p> |

CAUTION:

REGULATOR PRESSURE ADJUSTMENT – The working range of knob adjustment is designed to permit outlet pressures within their full range. Pressure adjustment beyond this range is also possible because the knob is not a limiting device. This is a common characteristic of most industrial regulators, and limiting devices may be obtained only by special design.

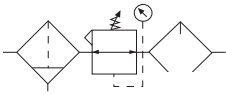
For best performance, regulated pressure should always be set by increasing the pressure up to the desired setting.

Ordering Information

| Model Type | Port Size | Plastic Bowl with Gauge | Plastic Bowl without Gauge | Metal Bowl with Gauge | Metal Bowl without Gauge |
|--------------|-----------|-------------------------|----------------------------|-----------------------|--------------------------|
| Manual Drain | 1/8 | C03-01-G000 | C03-01-0000 | C03-01-GM00 | C03-01-M000 |
| | 1/4 | C03-02-G000 | C03-02-0000 | C03-02-GM00 | C03-02-M000 |

Options - To order an option supplied with the unit model, add the appropriate coded suffix letter in the designated position of the model number.

Combination C08



Specifications

| | | |
|-------------------------|-------------------|--------------------------------------|
| Flow Capacity* | 1/4 | 27 SCFM (13 dm ³ /s, ANR) |
| Gauge Port** (2) | NPT | 1/8 |
| Maximum Supply Pressure | Plastic Bowl | 150 PSIG (10.3 bar) |
| | Metal Bowl | 250 PSIG (17.2 bar) |
| Operating Temperature | Plastic Bowl | 14° to 125°F (-10° to 52°C) |
| | Metal Bowl | 14° to 150°F (-10° to 65.5°C) |
| Port Size | NPT / BSPP-G | 1/4 |
| Standard Filtration | 5 Micron | |
| Weight | 1.96 lb. (0.9 kg) | |

* Inlet pressure 145 PSIG (10 bar), Secondary pressure 100 PSIG (6.9 bar), 14.5 PSIG (1 bar) pressure drop.

“F” Series Filters, Type “A” 5 micron elements: All Wilkerson Type “A” 5 micron elements **meet or exceed ISO Class 3** for maximum particle size and concentration of solid contaminants.

Gauge supplied with every part. Gauge can be installed on the front or back of the regulator. If no gauge is installed, both seal screws must be installed.

Features

- Components Integrated into Single Unit
- Modern Design and Appearance
- Light Weight, Ready-to-Mount Assembly Comes Standard with Flush-Mount Pressure Gauge and Modular T-bracket / Joiner Assembly
- High Flow Capacity
- Quick-Disconnect Bowl / Bowl Guard

Materials of Construction

| | | |
|--------------------|--------------------------|---------------|
| Body | Aluminum | |
| Bonnet | Glass-filled Nylon | |
| Bowl | Plastic Bowl | Polycarbonate |
| | Metal Bowl | Aluminum |
| Bowl Guard | Nylon | |
| Diaphragm Assembly | Stainless Steel/ Nitrile | |
| Filter Element | Polyethylene | |
| Knob | Acetal | |
| Seals | Plastic Bowl | Nitrile |
| | Metal Bowl | Nitrile |
| Sight Dome | Polycarbonate | |
| Springs | Steel | |
| Valve | Brass / Nitrile | |

Suggested Lubricant

Airline Oil F442001
 Petroleum based oil of 100 to 200 SUS viscosity at 100°F and an aniline point greater than 200°F
 (DO NOT USE OILS WITH ADDITIVES, COMPOUNDED OILS CONTAINING SOLVENTS, GRAPHITE, DETERGENTS, OR SYNTHETIC OILS.)

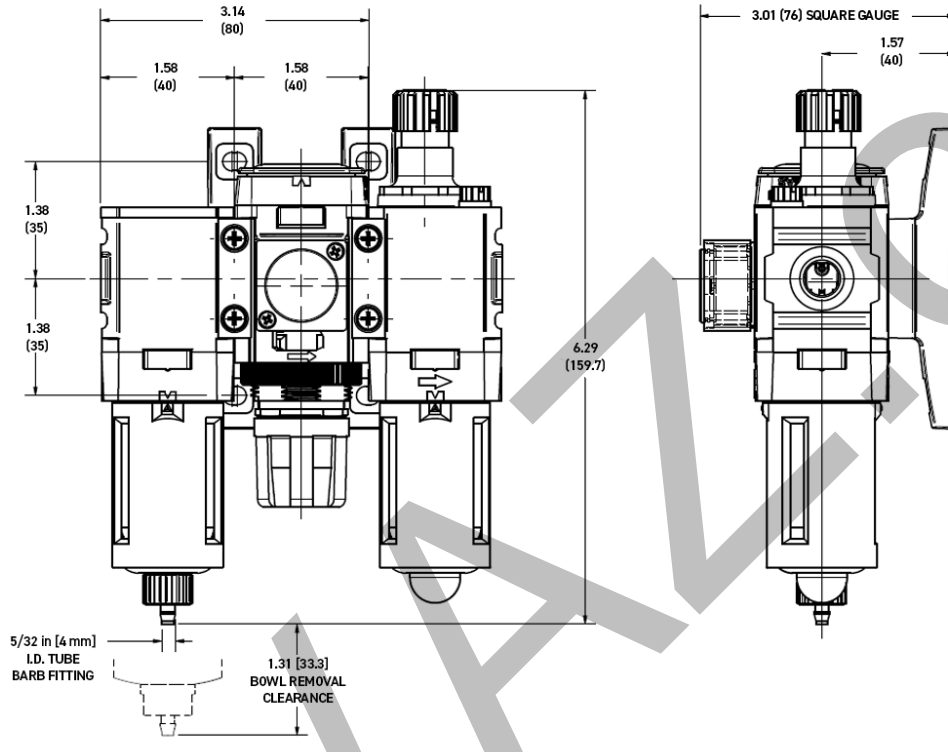
Ordering Information

| Model Type | Port Size | Plastic Bowl /Bowl Guard / With Gauge 0 to 125 PSI (0 to 8.6 bar) | Metal Bowl /With Gauge 0 to 125 PSI (0 to 8.6 bar) |
|--------------|-----------|--|--|
| Manual Drain | 1/4 | C08-02-FKG0B | C08-02-FLG0B |

Options - To order an option supplied with the unit model, add the appropriate coded suffix letter in the designated position of the model number.

 = "Most Popular"

Note: For Kits and Repair Parts, see individual pages for Filters, Regulators, and Lubricators.



CAUTION:

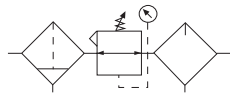
REGULATOR PRESSURE ADJUSTMENT – The working range of knob adjustment is designed to permit outlet pressures within their full range. Pressure adjustment beyond this range is also possible because the knob is not a limiting device. This is a common characteristic of most industrial regulators, and limiting devices may be obtained only by special design.

For best performance, regulated pressure should always be set by increasing the pressure up to the desired setting.

 **WARNING**

**Product rupture can cause serious injury.
Do not connect regulator to bottled gas.
Do not exceed maximum primary pressure rating.**

Combination C18



Features

- Components Integrated into Single Unit
- Modern Design and Appearance
- Light Weight, Ready-to-Mount Assembly Comes Standard with Pressure Gauge and Modular T-Bracket / Joiner Assembly
- High Flow Capacity
- Quick-Disconnect Bowl / Bowl Guard

Specifications

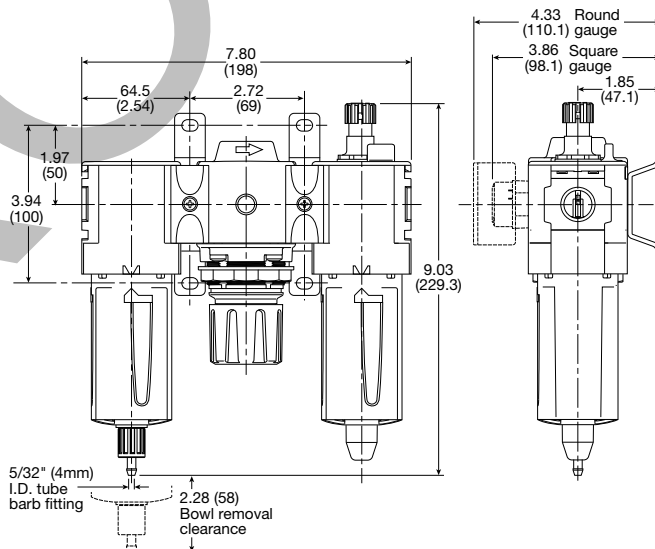
| | | |
|-------------------------|----------------------------|--------------------------------------|
| Flow Capacity* | 1/4 | 42 SCFM (20 dm ³ /s, ANR) |
| | 3/8 | 68 SCFM (32 dm ³ /s, ANR) |
| | 1/2 | 85 SCFM (40 dm ³ /s, ANR) |
| Gauge Port (2) | NPT / BSPP-G 1/4 | |
| Maximum Supply Pressure | Plastic Bowl | 150 PSIG (10.3 bar) |
| | Metal Bowl | 250 PSIG (17.2 bar) |
| Operating Temperature | Plastic Bowl | -13° to 125°F (-25° to 52°C) |
| | Metal Bowl | -13° to 150°F (-25° to 65.5°C) |
| Port Size | NPT / BSPP-G 1/4, 3/8, 1/2 | |
| Standard Filtration | 5 Micron | |
| Weight | 4.04 lb. (1.83 kg) | |

* Inlet pressure 145 PSIG (10 bar), Secondary pressure 91.3 PSIG (6.3 bar), 14.5 PSIG (1 bar) pressure drop.

"F" Series Filters, Type "A" 5 micron elements: All Wilkerson Type "A" 5 micron elements **meet or exceed ISO Class 3** for maximum particle size and concentration of solid contaminants.

Materials of Construction

| | | |
|---------------------|-----------------------|-------------------|
| Body | Aluminum | |
| Bonnet / Knob | Nylon / Acetal | |
| Bowls | Plastic Bowl | Polycarbonate |
| | Metal Bowl | Aluminum |
| Diaphragm Assembly | Nitrile / Zinc | |
| Filter Element | Polyethylene | |
| Seals | Plastic Bowl | Nitrile |
| | Metal Bowl | Nitrile |
| Sight Dome | Polycarbonate | |
| Sight Gauge | Metal Bowl | Polyamide (Nylon) |
| Springs | Main Regulating Valve | Steel |
| | | Stainless Steel |
| Suggested Lubricant | Airline Oil F442001 | |
| Valve | Brass / Nitrile | |




Inches (mm)

Manual Drain

 = "Most Popular"

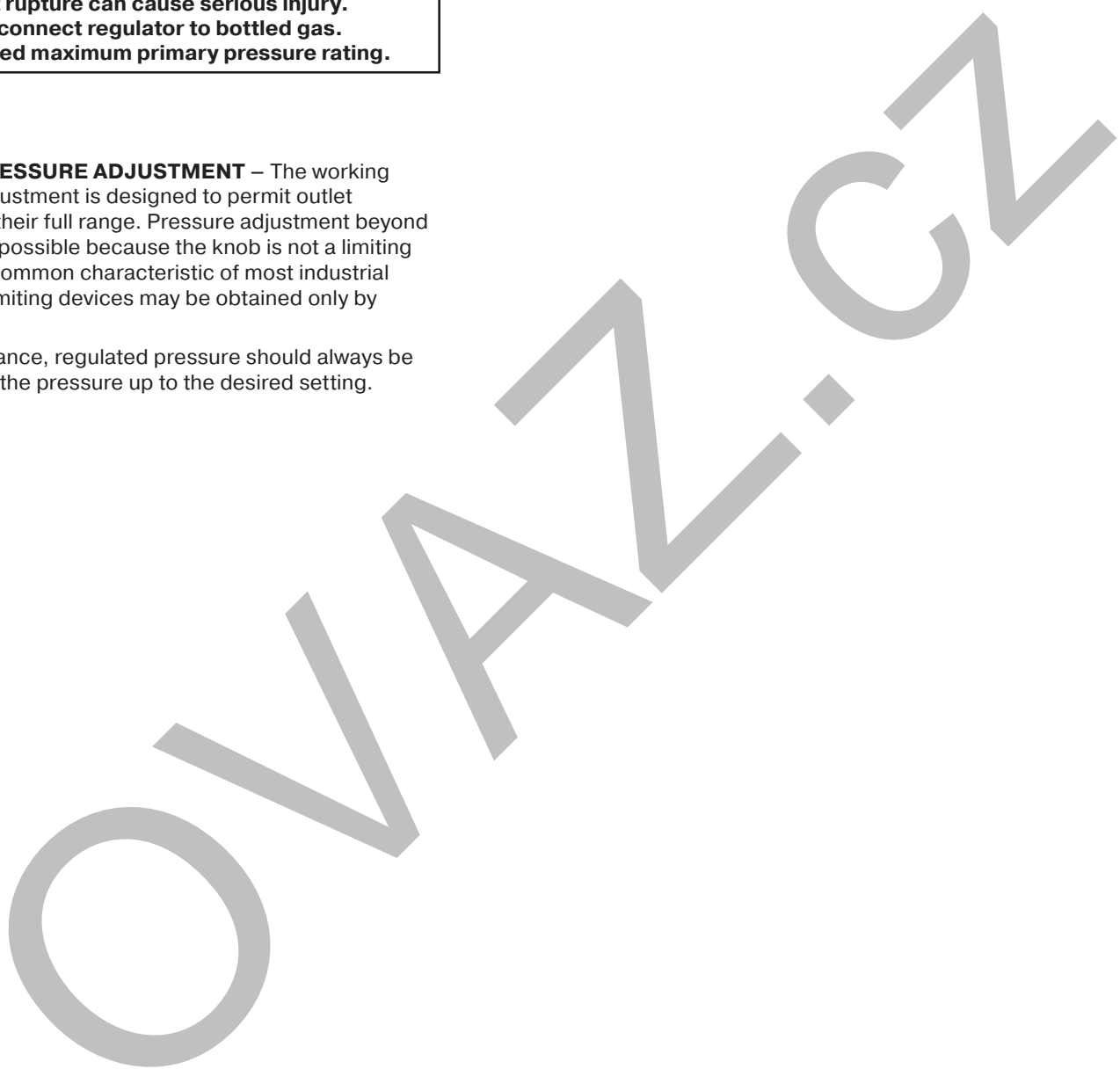
Note: For Kits and Repair Parts, see individual pages for Filters, Regulators, and Lubricators.

| |
|---|
|  WARNING |
| <p>Product rupture can cause serious injury. Do not connect regulator to bottled gas. Do not exceed maximum primary pressure rating.</p> |

CAUTION:

REGULATOR PRESSURE ADJUSTMENT – The working range of knob adjustment is designed to permit outlet pressures within their full range. Pressure adjustment beyond this range is also possible because the knob is not a limiting device. This is a common characteristic of most industrial regulators, and limiting devices may be obtained only by special design.

For best performance, regulated pressure should always be set by increasing the pressure up to the desired setting.



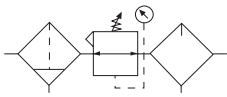
Ordering Information

| Model Type | Port Size | Plastic Bowl / Bowl Guard / With Gauge 0 to 125 PSI (0 to 8.6 bar) | Metal Bowl / Sight Gauge / With Gauge 0 to 125 PSI (0 to 8.6 bar) | Plastic Bowl / Bowl Guard / With Gauge & End Blocks 0 to 125 PSI (0 to 8.6 bar) |
|------------------------|-----------|---|--|--|
| Manual Drain | 1/4 | C18-02-FKG0B | C18-02-FLG0B | C18-02-FKBGB |
| | 3/8 | C18-03-FKG0B | C18-03-FLG0B | C18-03-FKBGB |
| | 1/2 | C18-04-FKG0B | C18-04-FLG0B | C18-04-FKBGB |
| Automatic Drain | 1/4 | C18-02-FGG0B | C18-02-FHG0B | C18-02-FGBGB |
| | 3/8 | C18-03-FGG0B | C18-03-FHG0B | C18-03-FGBGB |
| | 1/2 | C18-04-FGG0B | C18-04-FHG0B | C18-04-FGBGB |

Options - To order an option supplied with the unit model, add the appropriate coded suffix letter in the designated position of the model number.

Combination C16

= "Most Popular"



C16-02-000

Features

- Components Integrated into Single Unit
- Metal Bowl with Sight Gauge Option
- Pressure Gauge Standard
- Integral Plastic Bowl / Bowl Guard
- Quick Disconnect Bowl
- Standard Self-relieving

Specifications

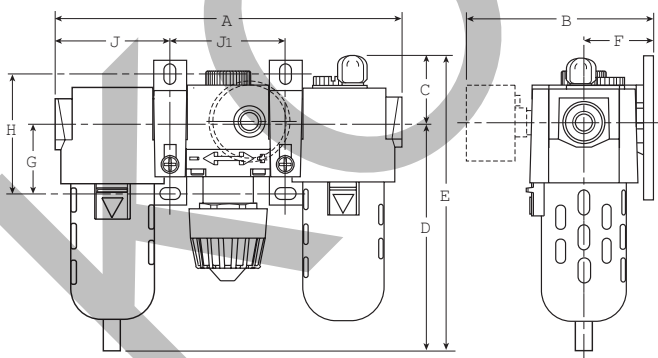
| | | |
|----------------------------------|--------------|--|
| Flow Capacity* | 1/4 | 36.1 SCFM (17.0 dm ³ /s) |
| | 3/8 | 58.5 SCFM (27.6 dm ³ /s) |
| | 1/2 | 64.0 SCFM (30.2 dm ³ /s) |
| Gauge Ports (2) | NPT | 1/4 |
| Port Threads | NPT | 1/4, 3/8, 1/4 |
| Pressure & Temperature Ratings – | Plastic Bowl | 0 to 150 PSIG (0 to 10.3 bar) 32°F to 125°F (0°C to 52°C) |
| | Metal Bowl | 0 to 200 PSIG (0 to 13.8 bar) 32°F to 175°F (0°C to 80°C) |
| Standard Filtration | | 5 Micron |
| Weight | | 7.3 lb. (3.3 kg) |

* Inlet pressure 150 PSIG (10.3 bar). Pressure drop 5 PSID (0.3 bar).

"F" Series Filters, Type "A" 5 micron elements: All Wilkerson Type "A" 5 micron elements **meet or exceed ISO** Class 3 for maximum particle size and concentration of solid contaminants.

Materials of Construction

| | | |
|---------------------|--------------------------|---------------|
| Body | Zinc | |
| Bonnet, Knob | PBT | |
| Bowls – | Plastic Bowl | Polycarbonate |
| | Metal Bowl | Zinc |
| Diaphragm | Nitrile / Zinc | |
| Filter Element | Polypropylene | |
| Seals – | Plastic Bowl | Nitrile |
| | Metal Bowl | Fluorocarbon |
| Sight Dome | Nylon | |
| Springs | Steel | |
| Suggested Lubricant | Airline Oil F442001 | |
| Valve Assembly | Brass / Nitrile / Acetal | |




Dimensions

| Model | Inches (mm) | A | B | C | D | E | F | G | H | J | J ₁ |
|---|-------------|----------------|---------------|--------------|-----------------|-----------------|--------------|--------------|----------------|-----------------|----------------|
| Standard Unit with End Blocks C16-XX-000 | | 11.30 (287) | 4.30 (109) | 1.62 (41) | 5.50 (139.7) | 7.12 (180.8) | 1.30 (33) | 1.74 (44) | 2.98 (75.7) | 5.65 (143.5) | 2.91 (73.9) |

 = "Most Popular"

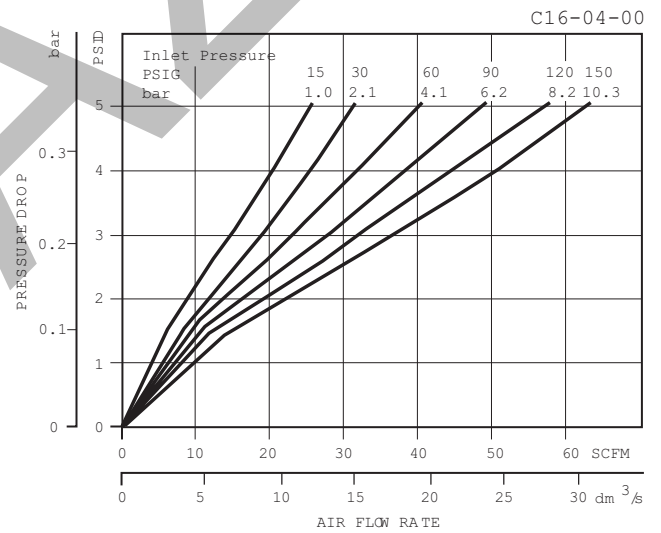
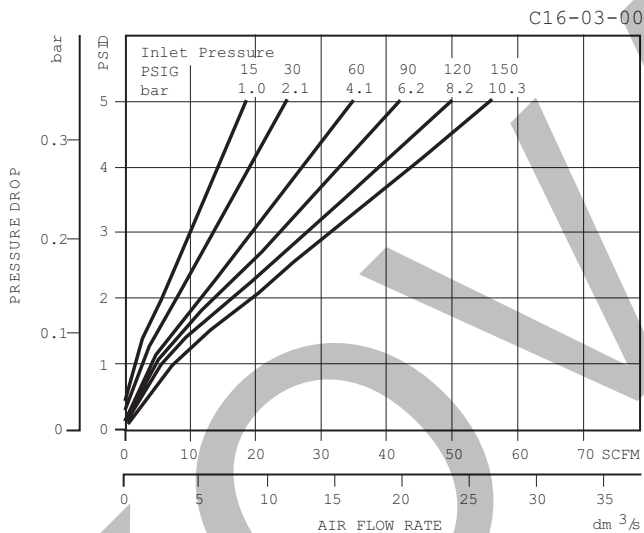
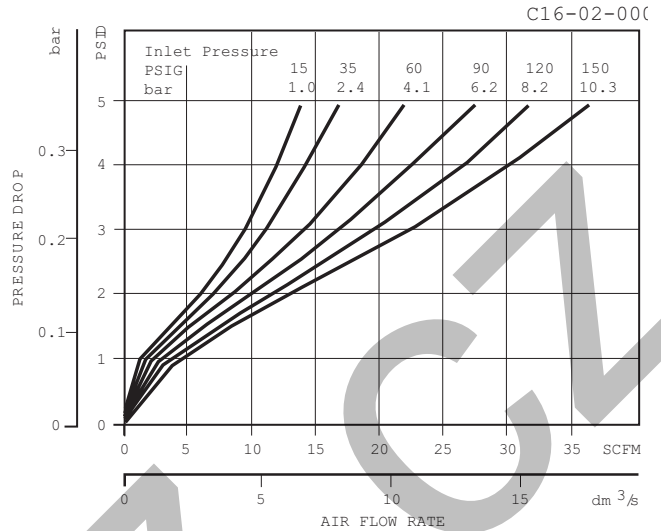
Note: For Kits and Repair Parts, see individual pages for Filters, Regulators, and Lubricators.

| |
|--|
|  WARNING |
| Product rupture can cause serious injury. Do not connect regulator to bottled gas. Do not exceed maximum primary pressure rating. |

CAUTION:

REGULATOR PRESSURE ADJUSTMENT – The working range of knob adjustment is designed to permit outlet pressures within their full range. Pressure adjustment beyond this range is also possible because the knob is not a limiting device. This is a common characteristic of most industrial regulators, and limiting devices may be obtained only by special design.

For best performance, regulated pressure should always be set by increasing the pressure up to the desired setting.

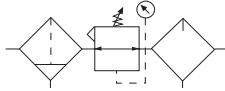


Ordering Information

| Model Type | Port Size | Plastic Bowl / Bowl Guard with End Blocks 0 to 125 PSIG (0 to 8.5 bar) | Metal Bowl / Sight Gauge 0 to 125 PSIG (0 to 8.5 bar) |
|------------|-----------|--|---|
| C16 | 1/4 | C16-02-000 | C16-02-G00 |
| | 3/8 | C16-03-000 | C16-03-G00 |
| | 1/2 | C16-04-000 | C16-04-G00 |

Options - To order an option supplied with the unit model, add the appropriate coded suffix letter in the designated position of the model number.

Combination C28



Features

- Components Integrated into Single Unit
- Modern Design and Appearance
- Light Weight, Ready-to-Mount Assembly Comes Standard with Pressure Gauge and Modular T-Bracket / Joiner Assembly
- High Flow Capacity
- Quick-Disconnect Bowl / Bowl Guard

Specifications

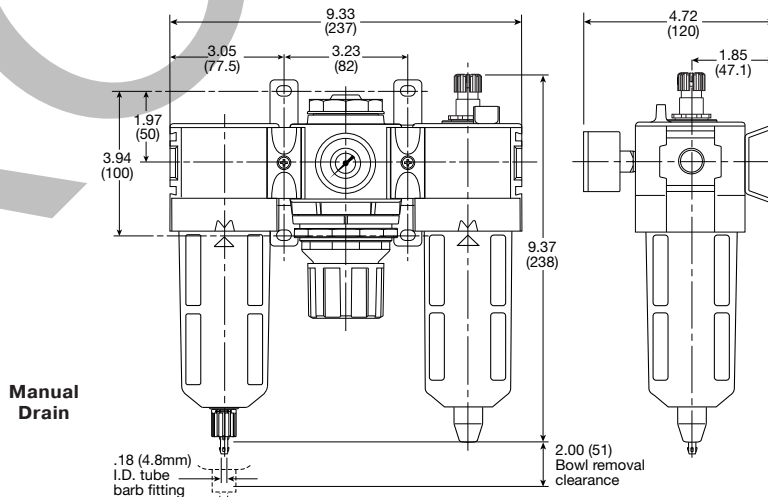
| | | |
|-------------------------|----------------------------|---------------------------------------|
| Flow Capacity* | 3/8 | 90 SCFM (43 dm ³ /s, ANR) |
| | 1/2 | 90 SCFM (43 dm ³ /s, ANR) |
| | 3/4 | 110 SCFM (52 dm ³ /s, ANR) |
| Gauge Port (2) | NPT / BSPP-G 1/4 | |
| Maximum Supply Pressure | Plastic Bowl | 150 PSIG (10.3 bar) |
| | Metal Bowl | 250 PSIG (17.2 bar) |
| Operating Temperature | Plastic Bowl | -13° to 125°F (-25° to 52°C) |
| | Metal Bowl | -13° to 150°F (-25° to 65.5°C) |
| Port Size | NPT / BSPP-G 3/8, 1/2, 3/4 | |
| Standard Filtration | 5 micron | |
| Weight | 5.90 lb. (2.6 kg) | |

* Inlet pressure 145 PSIG (10 bar), Secondary pressure 91.3 PSIG (6.3 bar), 14.5 PSIG (1 bar) pressure drop.

"F" Series Filters, Type "A" 5 micron elements: All Wilkerson Type "A" 5 micron elements **meet or exceed ISO Class 3** for maximum particle size and concentration of solid contaminants.

Materials of Construction

| | | |
|---------------------|--------------------------|-------------------|
| Body | Aluminum | |
| Bonnet / Knob | Nylon / Acetal | |
| Bowls | Plastic Bowl | Polycarbonate |
| | Metal Bowl | Aluminum |
| Diaphragm Assembly | Nitrile / Zinc | |
| Filter Element | Polyethylene | |
| Seals | Plastic Bowl | Nitrile |
| | Metal Bowl | Nitrile |
| Sight Dome | Polycarbonate | |
| Sight Gauge | Metal Bowl | Polyamide (Nylon) |
| Springs | Main Regulating Valve | Steel |
| | | Stainless Steel |
| Suggested Lubricant | Airline Oil F442001 | |
| Valve | Brass / Nitrile / Acetal | |



Inches (mm)

 = "Most Popular"

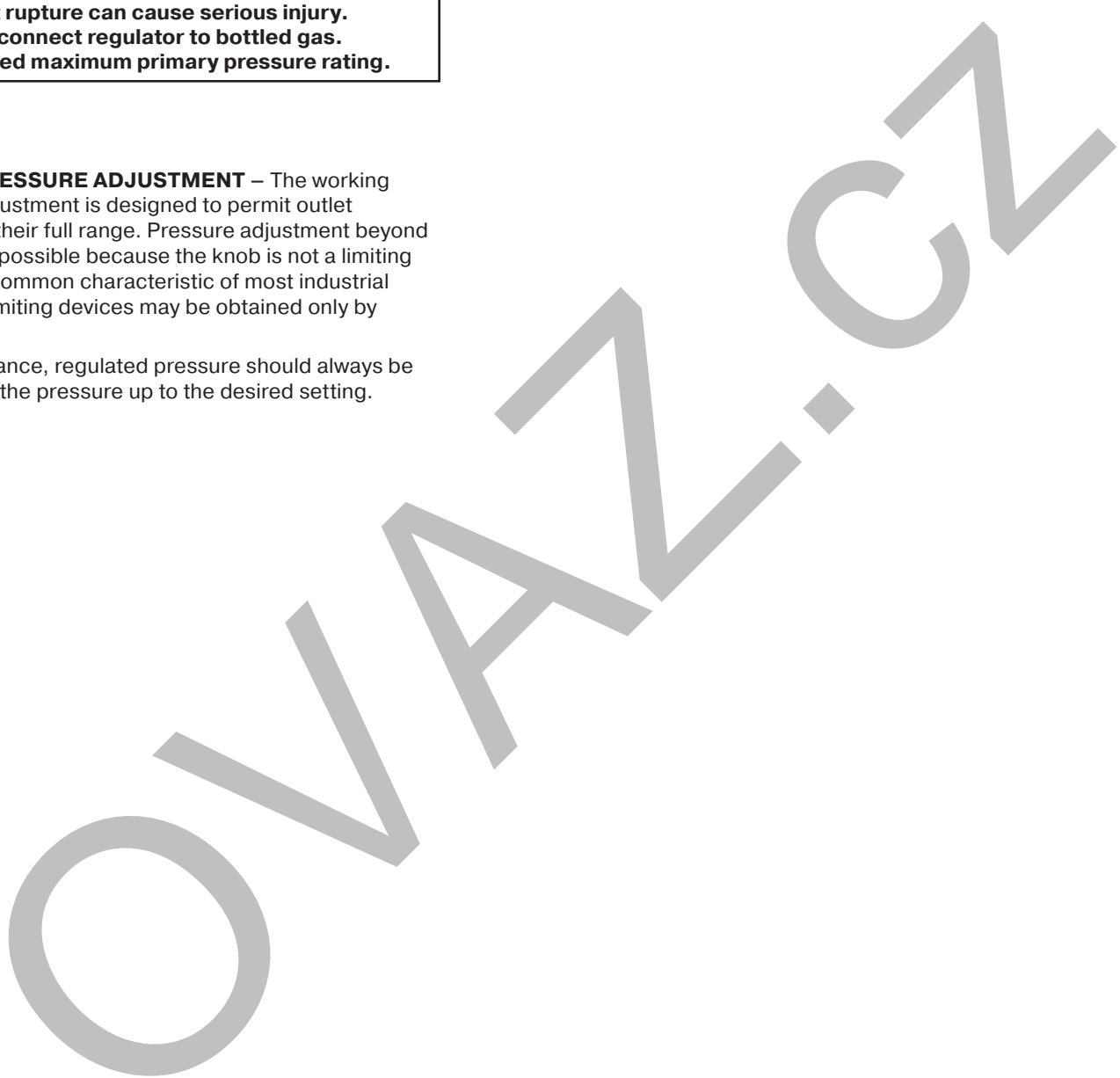
Note: For Kits and Repair Parts, see individual pages for Filters, Regulators, and Lubricators.

| |
|--|
| ⚠ WARNING |
| Product rupture can cause serious injury. Do not connect regulator to bottled gas. Do not exceed maximum primary pressure rating. |

CAUTION:

REGULATOR PRESSURE ADJUSTMENT – The working range of knob adjustment is designed to permit outlet pressures within their full range. Pressure adjustment beyond this range is also possible because the knob is not a limiting device. This is a common characteristic of most industrial regulators, and limiting devices may be obtained only by special design.

For best performance, regulated pressure should always be set by increasing the pressure up to the desired setting.



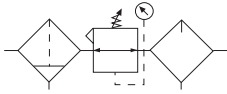
Ordering Information

| Model Type | Port Size | Plastic Bowl / Bowl Guard / With Gauge 0 to 125 PSI (0 to 8.6 bar) | Metal Bowl / Sight Gauge / With Gauge 0 to 125 PSI (0 to 8.6 bar) | Plastic Bowl / Bowl Guard / With Gauge & End Blocks 0 to 125 PSI (0 to 8.6 bar) |
|------------------------|-----------|---|--|--|
| Manual Drain | 3/8 | C28-03-FKG0B | C28-03-FLG0B | C28-03-FKBGB |
| | 1/2 | C28-04-FKG0B | C28-04-FLG0B | C28-04-FKBGB |
| | 3/4 | C28-06-FKG0B | C28-06-FLG0B | C28-06-FKBGB |
| Automatic Drain | 3/8 | C28-03-FGG0B | C28-03-FHG0B | C28-03-FGBGB |
| | 1/2 | C28-04-FGG0B | C28-04-FHG0B | C28-04-FGBGB |
| | 3/4 | C28-06-FGG0B | C28-06-FHG0B | C28-06-FGBGB |

Options - To order an option supplied with the unit model, add the appropriate coded suffix letter in the designated position of the model number.

Combination C26

= "Most Popular"



C26-02-000

Features

- Components Integrated into Single Unit
- Metal Bowl with Sight Gauge Option
- Pressure Gauge Standard
- Integral Plastic Bowl / Bowl Guard
- Quick Disconnect Bowl
- Standard Self-relieving

Specifications

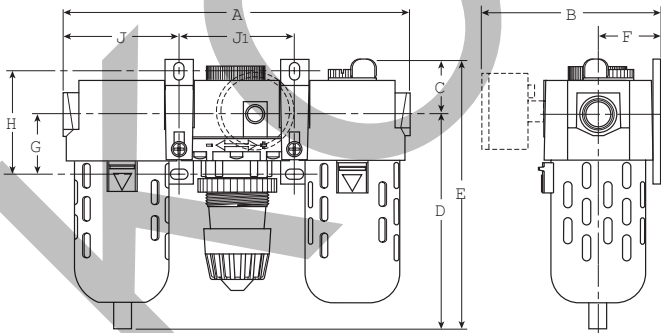
| | | |
|----------------------------------|--|-------------------------------------|
| Flow Capacity* | 1/4 | 35.0 SCFM (16.5 dm ³ /s) |
| | 3/8 | 60.0 SCFM (28.3 dm ³ /s) |
| | 1/2 | 128 SCFM (60.4 dm ³ /s) |
| Gauge Ports (2) | NPT / BSPP-G | 1/4 |
| Port Threads | NPT | 1/4, 3/8, 1/2 |
| Pressure & Temperature Ratings – | | |
| Plastic Bowl | 0 to 150 PSIG (0 to 10.3 bar) 32°F to 125°F (0°C to 52°C) | |
| Metal Bowl | 0 to 200 PSIG (0 to 13.8 bar) 32°F to 175°F (0°C to 80°C) | |
| Standard Filtration | 5 Micron | |
| Weight | 10.5 lb. (4.7 kg) | |

* Inlet pressure 150 PSIG (10.3 bar). Pressure drop 5 PSID (0.3 bar).

"F" Series Filters, Type "A" 5 micron elements: All Wilkerson Type "A" 5 micron elements **meet or exceed ISO** Class 3 for maximum particle size and concentration of solid contaminants.

Materials of Construction

| | |
|---------------------|--------------------------|
| Body | Zinc |
| Bonnet, Knob | PBT |
| Bowls – | |
| Plastic Bowl | Polycarbonate |
| Metal Bowl | Zinc |
| Diaphragm | Nitrile / Zinc |
| Filter Element | Polypropylene |
| Seals – | |
| Plastic Bowl | Nitrile |
| Metal Bowl | Fluorocarbon |
| Sight Dome | Nylon |
| Springs | Steel |
| Suggested Lubricant | Airline Oil F442001 |
| Valve Assembly | Brass / Nitrile / Acetal |




Dimensions

| Model | Inches (mm) | A | B | C | D | E | F | G | H | J | J ₁ |
|---|-------------|----------------|---------------|--------------|-----------------|---------------|--------------|--------------|----------------|---------------|----------------|
| Standard Unit with End Blocks C26-XX-000 | | 12.35 (314) | 4.80 (122) | 1.60 (41) | 6.40 (162.6) | 8.00 (203) | 1.50 (38) | 1.74 (44) | 2.98 (75.7) | 6.17 (157) | 3.35 (85.1) |

 = "Most Popular"

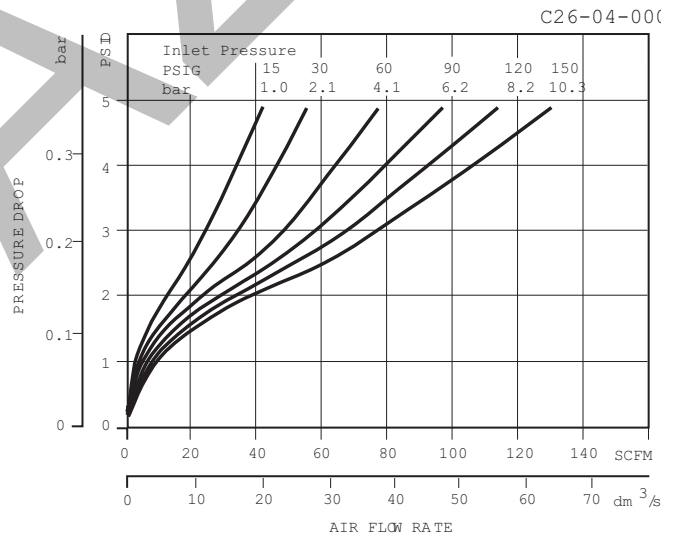
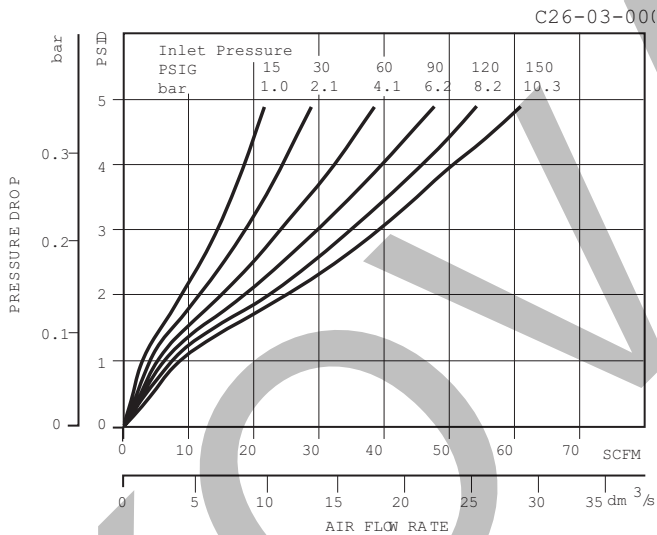
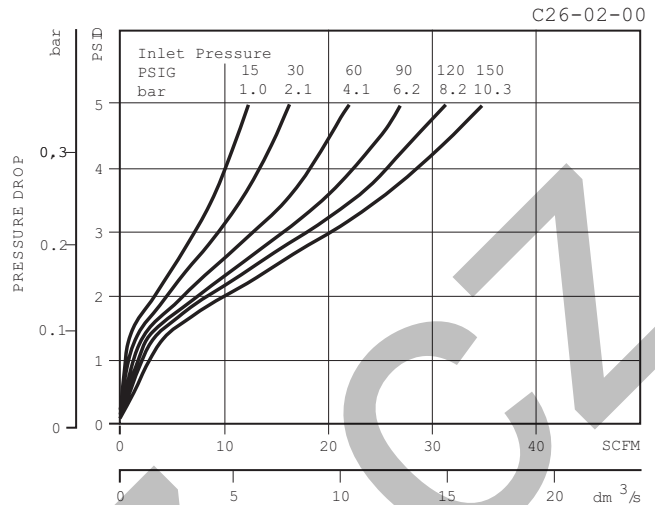
Note: For Kits and Repair Parts, see individual pages for Filters, Regulators, and Lubricators.

| |
|--|
|  WARNING |
| Product rupture can cause serious injury. Do not connect regulator to bottled gas. Do not exceed maximum primary pressure rating. |

CAUTION:

REGULATOR PRESSURE ADJUSTMENT – The working range of knob adjustment is designed to permit outlet pressures within their full range. Pressure adjustment beyond this range is also possible because the knob is not a limiting device. This is a common characteristic of most industrial regulators, and limiting devices may be obtained only by special design.

For best performance, regulated pressure should always be set by increasing the pressure up to the desired setting.



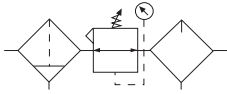
Ordering Information

| Model Type | Port Size | Plastic Bowl / Bowl Guard with End Blocks 0 to 125 PSIG (0 to 8.5 bar) | Metal Bowl / Sight Gauge 0 to 125 PSIG (0 to 8.5 bar) |
|------------|-----------|--|---|
| C26 | 1/4 | C26-02-000 | C26-02-G00 |
| | 3/8 | C26-03-000 | C26-03-G00 |
| | 1/2 | C26-04-000 | C26-04-G00 |

Options - To order an option supplied with the unit model, add the appropriate coded suffix letter in the designated position of the model number.

Combination C31

= "Most Popular"



C31-06-000

Features

- 5 Micron Filtration
- High Flow Capacity
- Large Bowl Reservoir
- Pressure Gauge
- Standard Self-relieving

Specifications

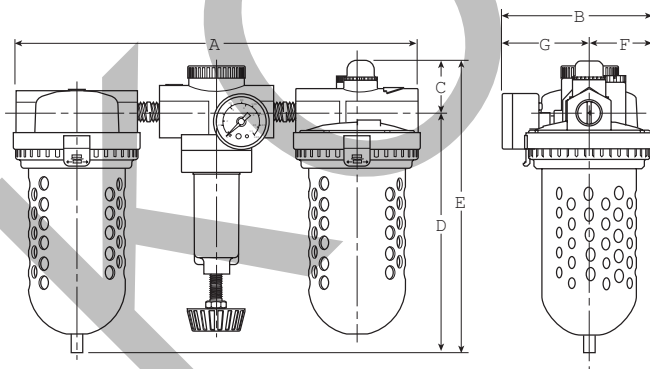
| | | |
|----------------------------------|--------|--|
| Flow Capacity* | 3/4, 1 | 374 SCFM (176.5 dm ³ /s) |
| Gauge Ports (2) | NPT | 1/4 |
| Port Threads | NPT | 3/4, 1 |
| Pressure & Temperature Ratings – | | |
| Plastic Bowl | | 0 to 150 PSIG (0 to 10.3 bar) 32°F to 125°F (0°C to 52°C) |
| Metal Bowl | | 0 to 200 PSIG (0 to 13.8 bar) 32°F to 175°F (0°C to 80°C) |
| Standard Filtration | | 5 Micron |
| Weight | | 18.2 lb. (8.2 kg) |

* Inlet pressure 120 PSIG (8.3 bar). Pressure drop 5 PSID (0.3 bar).

"F" Series Filters, Type "A" 5 micron elements: All Wilkerson Type "A" 5 micron elements **meet or exceed ISO Class 3** for maximum particle size and concentration of solid contaminants.

Materials of Construction

| | |
|---------------------|--------------------------|
| Body | Zinc |
| Bonnet, Piston | Zinc |
| Bowls – | |
| Plastic Bowl | Polycarbonate |
| Metal Bowl | Zinc |
| Filter Element | Polypropylene |
| Seals – | |
| Plastic Bowl | Nitrile |
| Metal Bowl | Fluorocarbon |
| Sight Dome | Nylon |
| Springs | Steel |
| Suggested Lubricant | Airline Oil F442001 |
| Valve Assembly | Brass / Nitrile / Acetal |



Dimensions

| Model | Inches (mm) | A | B | C | D | E | F | G |
|-----------------------------|-------------|----------------|---------------|--------------|---------------|----------------|----------------|----------------|
| Standard Unit C31-XX-000 | | 15.30 (389) | 5.70 (145) | 1.98 (50) | 8.96 (228) | 10.94 (278) | 2.40 (60.9) | 3.30 (83.8) |

= "Most Popular"

Note: For Kits and Repair Parts, see individual pages for Filters, Regulators, and Lubricators.

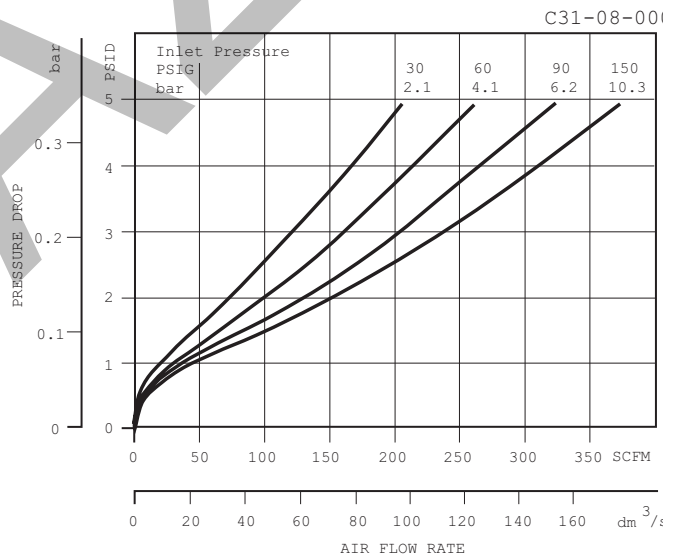
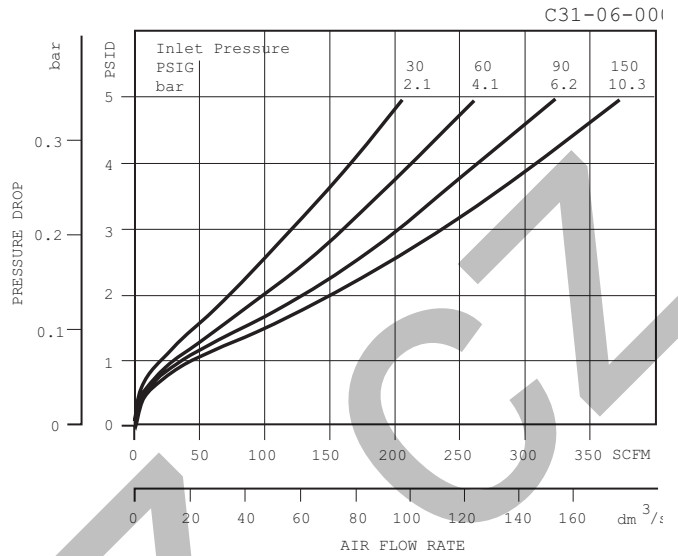
⚠ WARNING

**Product rupture can cause serious injury.
Do not connect regulator to bottled gas.
Do not exceed maximum primary pressure rating.**

CAUTION:

REGULATOR PRESSURE ADJUSTMENT – The working range of knob adjustment is designed to permit outlet pressures within their full range. Pressure adjustment beyond this range is also possible because the knob is not a limiting device. This is a common characteristic of most industrial regulators, and limiting devices may be obtained only by special design.

For best performance, regulated pressure should always be set by increasing the pressure up to the desired setting.



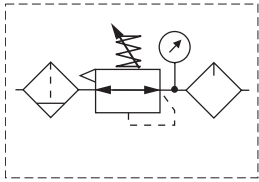
Ordering Information

| Model Type | Port Size | Plastic Bowl / Bowl Guard 0 to 125 PSIG (0 to 8.5 bar) |
|------------|-----------|---|
| C31 | 3/4 | C31-06-000 |
| | 1 | C31-08-000 |

Options - To order an option supplied with the unit model, add the appropriate coded suffix letter in the designated position of the model number.

Combination C90

= "Most Popular"



Options

C90 - 0 6 - A H G M

| | | | | | | |
|---------------------------------|---------------------|------------------|--------------------------------------|--|---------------|--------------------|
| Unit function | Thread type* | Port size | Regulator function / pressure | Bowl / drain type | Option | Option |
| Filter + Regulator + Lubricator | NPT 0 BSPP C | 3/4 6 1 8 | A Relieving / 0-174 PSI | H Metal bowl with sight gauge / auto drain L Metal bowl with sight gauge / manual drain | G Gauge | M Mounting bracket |

C90 - Unit function: Filter + Regulator + Lubricator

0 - Thread type: NPT 0, BSPP C

6 - Port size: 3/4 6, 1 8

A - Regulator function / pressure: Relieving / 0-174 PSI

H - Bowl / drain type: Metal bowl with sight gauge / auto drain

L - Bowl / drain type: Metal bowl with sight gauge / manual drain

G - Option: Gauge

M - Option: Mounting bracket

*Note: For 1-1/2" ported unit, please order P3YKA*BCP port block kit separately.
Bold items are most common.

Filter + Regulator + Lubricator Combinations 5 micron element, 12 bar (174 psig) regulator + gauge and wall mounting bracket


Ordering information

| Port size | Flow† scfm | Weight kg (lb) | Combined manual / semi-auto drain part number† | Auto drain part number† |
|-----------|------------|----------------|--|-------------------------|
| 3/4" | 170 | 3.3 (7.3) | C90-06-ALGM | C90-06-AHGM |
| 1" | 170 | 3.3 (7.3) | C90-08-ALGM | C90-08-AHGM |

† Standard part numbers shown in bold. For other models refer to Options chart below.

‡ Flow with 10 bar (145 psig) inlet pressure, 6.3 bar (91.4 psig) set pressure and 1 bar (14.5 psig) pressure drop.

Note: For Kits and Repair Parts, see individual pages for Filters, Regulators, and Lubricators.

| |
|--|
|  WARNING |
| Product rupture can cause serious injury. Do not connect regulator to bottled gas. Do not exceed maximum primary pressure rating. |

CAUTION:

REGULATOR PRESSURE ADJUSTMENT – The working range of knob adjustment is designed to permit outlet pressures within their full range. Pressure adjustment beyond this range is also possible because the knob is not a limiting device. This is a common characteristic of most industrial regulators, and limiting devices may be obtained only by special design.

For best performance, regulated pressure should always be set by increasing the pressure up to the desired setting.

Dimensions mm (inches)

