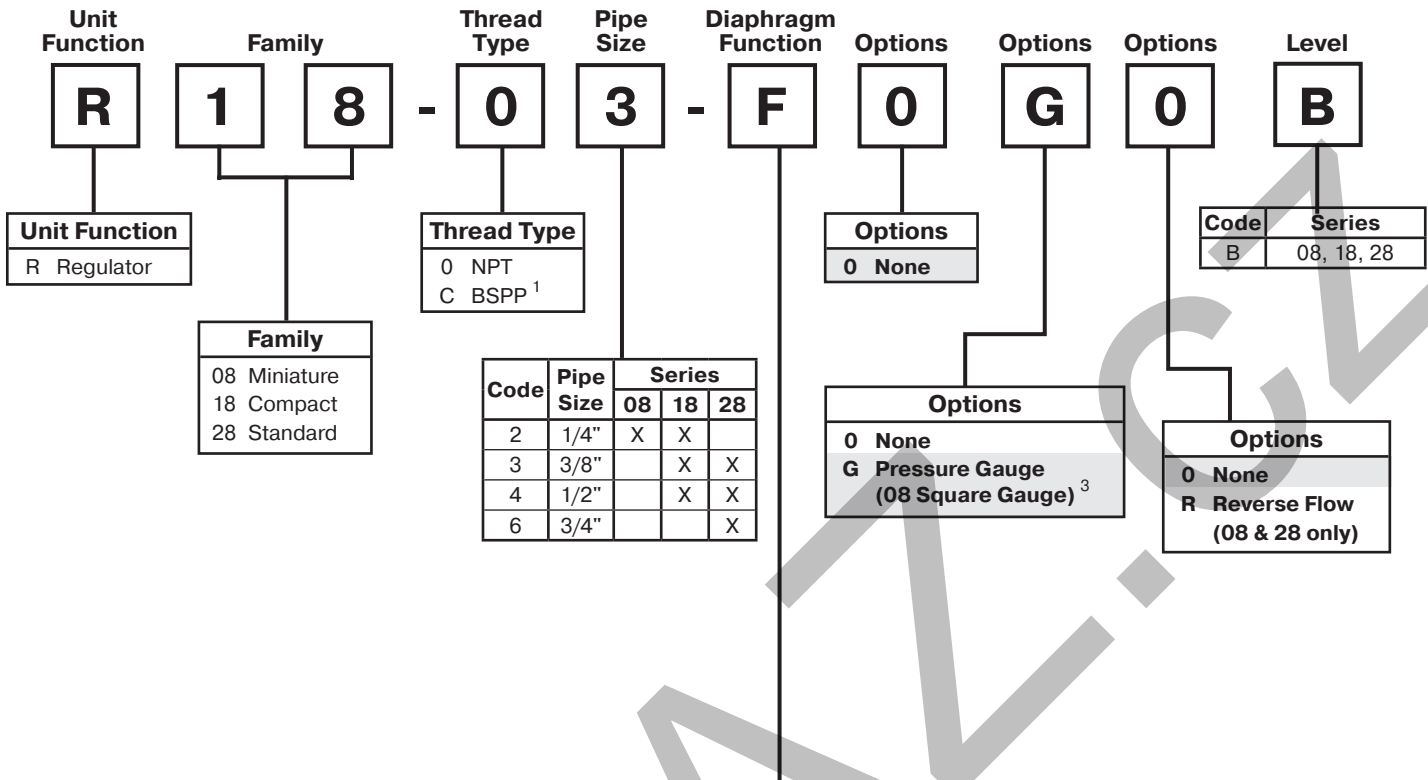


# Regulator Numbering System

   = "Most Popular"



Diaphragm Function	Fluorocarbon (18 & 28 Series Only)	Spring Range			
		0 to 30 PSIG (0 to 2 bar)	0 to 60 PSIG (0 to 4 bar)	0 to 125 PSIG (0 to 8 bar)	0 to 250 PSIG <sup>2</sup> (0 to 17 bar)
Relieving	No	C	D	<b>F</b>	G
	Yes	J	K	L	M
Non-relieving	No	P	W	R	S
	Yes	V	X	Y	Z

<sup>1</sup> ISO, R228 (G Series).

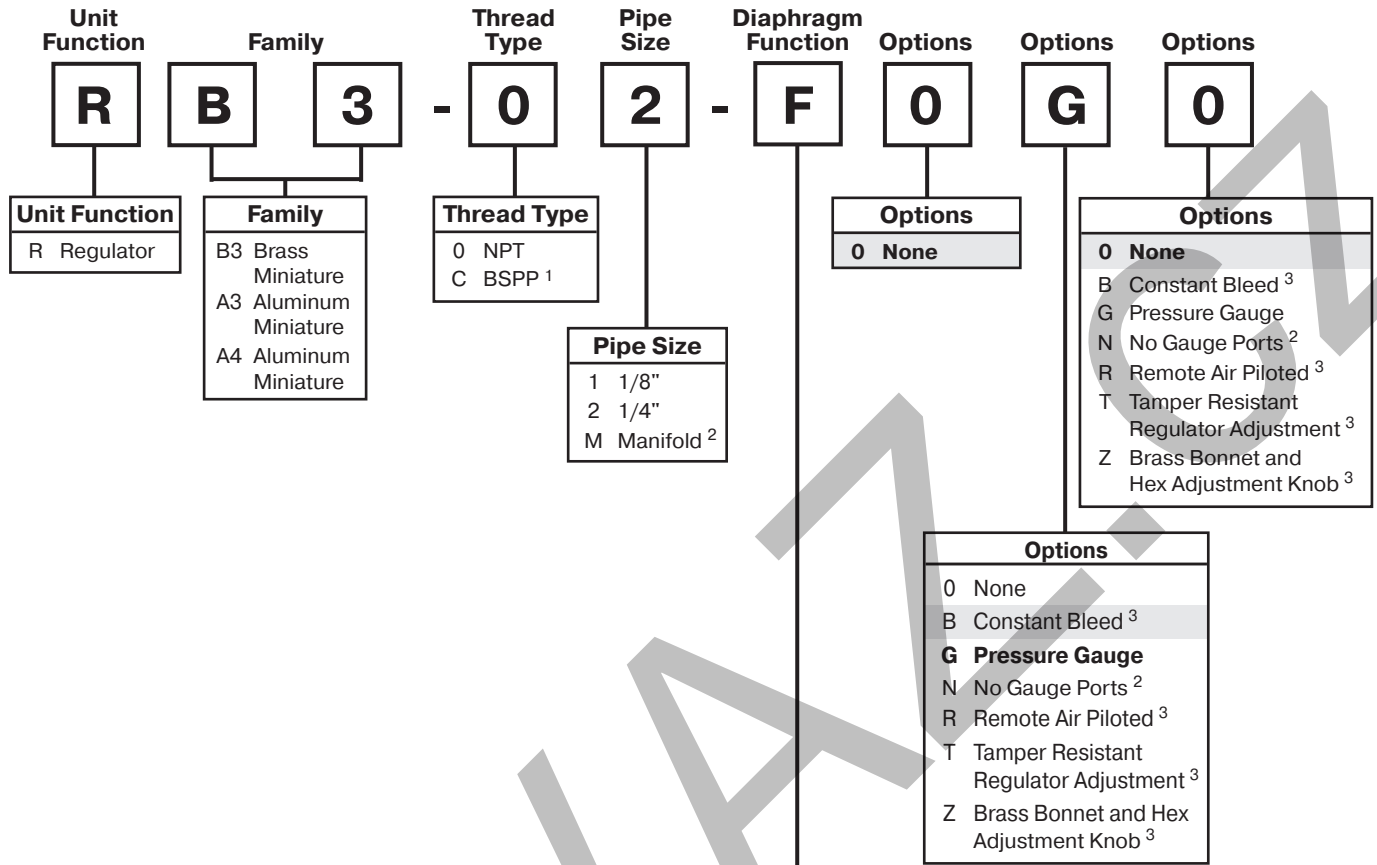
<sup>2</sup> R08 series operating range 0 to 232 PSIG (1 to 16 bar).

<sup>3</sup> Square gauge is included with all R08

**NOTE:** When selecting from the options columns, please enter letters in alphabetical order for positions 7, 8, and 9. For example:

**R08-02-F0G0B**

# RB3 / RA3 Series Regulator Numbering System    = "Most Popular"



Diaphragm Function	Spring Range		
	1 to 25 PSIG (0.07 to 1.7 bar)	1 to 60 PSIG (0.07 to 4.1 bar)	2 to 125 PSIG (0.14 to 8.6 bar)
Relieving	C	D	<b>F</b>
Non-relieving <sup>1</sup>	P	W	R

<sup>1</sup> ISO, R228 (G Series)  
<sup>2</sup> RA4 Only  
<sup>3</sup> Not available on RA4

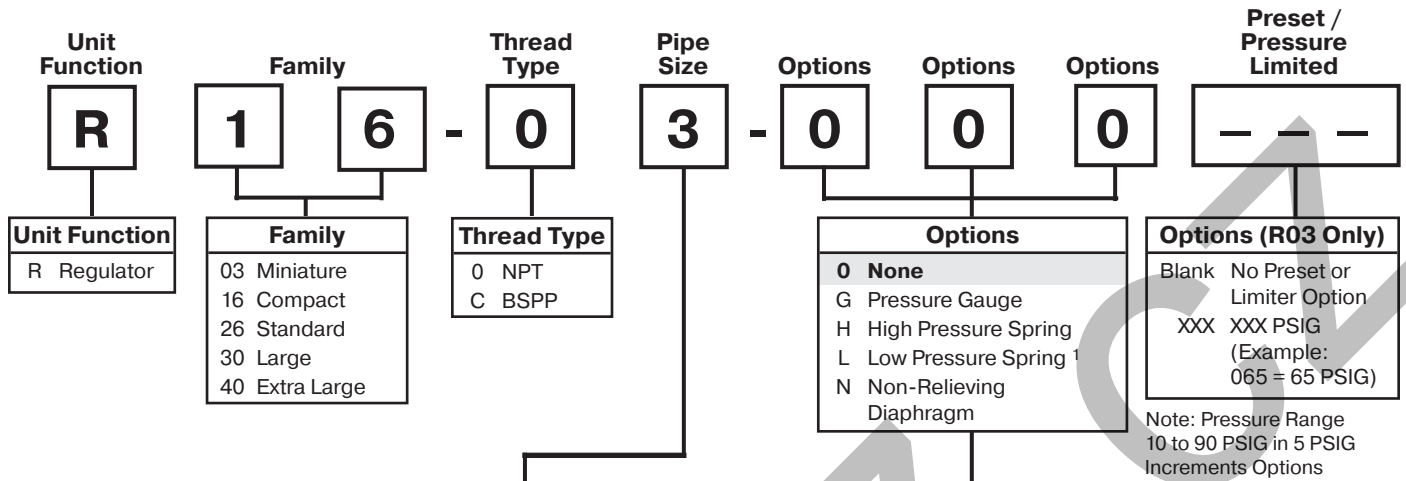
**NOTE: When selecting from the options columns, please enter letters in alphabetical order for positions 8, and 9. For example:**

**RB3 - 0 2 - F 0 G T**

**NOTE:** Standard pressure adjustment is plastic "snap lock" knob and plastic bonnet with plastic panel mount nut.

# Regulator Numbering System

   = "Most Popular"



Unit Function
R Regulator

Family
03 Miniature
16 Compact
26 Standard
30 Large
40 Extra Large

Thread Type
0 NPT
C BSPP

Pipe Size
3

Options
0 None
G Pressure Gauge
H High Pressure Spring
L Low Pressure Spring <sup>1</sup>
N Non-Relieving Diaphragm

Preset / Pressure Limited
- - -
Options (R03 Only)
Blank No Preset or Limiter Option
XXX XXX PSIG (Example: 065 = 65 PSIG)

Note: Pressure Range 10 to 90 PSIG in 5 PSIG Increments Options

Code	Pipe Size	Series				
		03	16	26	30	40
1	1/8"	X				
2	1/4"	X	X	X		
3	3/8"		X	X		
4	1/2"		X	X		
6	3/4"				X	
8	1"				X	
B	1-1/2"					X
C	2"					X

Options (R03 Only)
0 Standard, 2 to 125 PSI, Relieving
G** Pressure Gauge
J*† Preset, Adjustable
K*† Preset, Non-Adj. / Epoxy
L 1 to 60 PSI, Relieving
M Panel Nut Included
N 2 to 125 PSI, Non-Relieving
P 1 to 30 PSI, Relieving
Q 1 to 15 PSI, Relieving
R*† Pressure Limiter
S 1 to 60 PSI, Non-Relieving
T 1 to 30 PSI, Non-Relieving
U 1 to 15 PSI, Non-Relieving

\* Inlet pressure is 100 PSIG. For other pressures, consult factory.  
 \*\* Not available with BSPP thread type.  
 † Must specify preset or limited pressure.

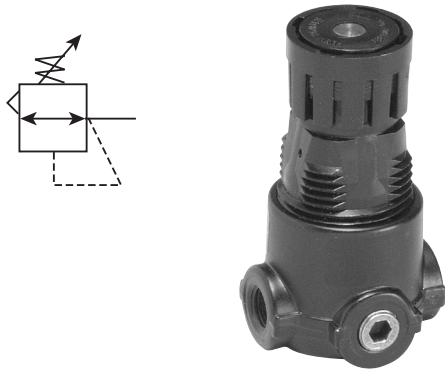
Spring Type by Preset / Limited Pressure:  
 For Preset / Limited Pressure 10 to 25 use 30 PSI Spring  
 For Preset / Limited Pressure 26 to 50 use 60 PSI Spring  
 For Preset / Limited Pressure 51 to 90 use 125 PSI Spring

**If more than one option is desired, arrange them in alphabetical order in positions 6, 7, and 8.**

<sup>1</sup> Not available on R30.

# Miniature Regulator R03

= "Most Popular"



**R03-02-000**

## Features

- Unbalanced Poppet Standard
- Solid Control Piston with Lip Seal for Extended Life
- Non-rising Adjusting Knob
- Compact, 3.08 inch (78mm) High by 1.65 inch (42mm) Wide
- Easily Serviced

## Specifications

Flow Capacity*	1/8	13 SCFM (6.14 dm <sup>3</sup> /s)
	1/4	15 SCFM (7.08 dm <sup>3</sup> /s)
Gauge Ports (2)	1/8	
Port Threads	1/8, 1/4 Inch	
Supply Pressure	0 to 300 PSIG (0 to 20.7 bar)	
Operating Temperature	32°F to 125°F (0°C to 52°C)	
Secondary Pressure Ranges –		
Standard Pressure	2 to 125 PSIG (0 to 8.6 bar)	
Medium Pressure	1 to 60 PSIG (0 to 4.1 bar)	
Medium Pressure	1 to 30 PSIG (0 to 2.1 bar)	
Low Pressure	1 to 15 PSIG (0 to 1.0 bar)	
Weight	.3 lb. (.14 kg)	

\* Inlet pressure 100 PSIG (6.9 bar). Secondary pressure 90 PSIG (6.2 bar) and 10 PSIG pressure drop.

## Materials of Construction

Adjusting Nut	Brass
Adjusting Stem & Spring	Steel
Body	Zinc
Bonnet, Seat, Piston & Valve Poppet	Plastic
Seals	Nitrile

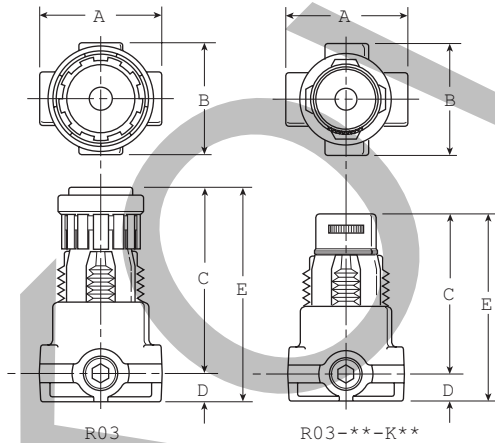
**⚠ WARNING**

**Product rupture can cause serious injury.  
Do not connect regulator to bottled gas.  
Do not exceed maximum primary pressure rating.**

## CAUTION:

**REGULATOR PRESSURE ADJUSTMENT** – The working range of knob adjustment is designed to permit outlet pressures within their full range. Pressure adjustment beyond this range is also possible because the knob is not a limiting device. This is a common characteristic of most industrial regulators, and limiting devices may be obtained only by special design.

For best performance, regulated pressure should always be set by increasing the pressure up to the desired setting.



**Note:** 1.218" dia. (31) mm hole required for panel mounting.

## Dimensions

Model	Inches (mm)	A	B	C	D	E
Standard Unit R03-XX-XXX		1.65 (42)	1.56 (39.6)	2.50 (63.5)	.38 (9.6)	2.88 (73)
Preset, Non-Adjustable Unit R03-XX-KXX		1.65 (42)	1.56 (39.6)	2.28 (57.9)	.38 (9.6)	2.66 (67.6)

= "Most Popular"

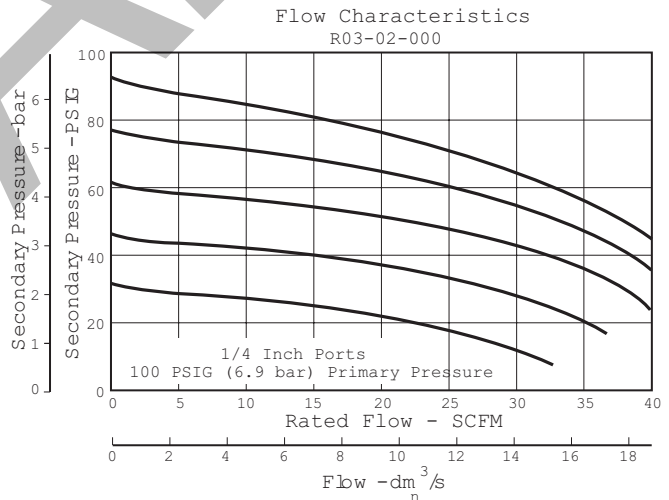
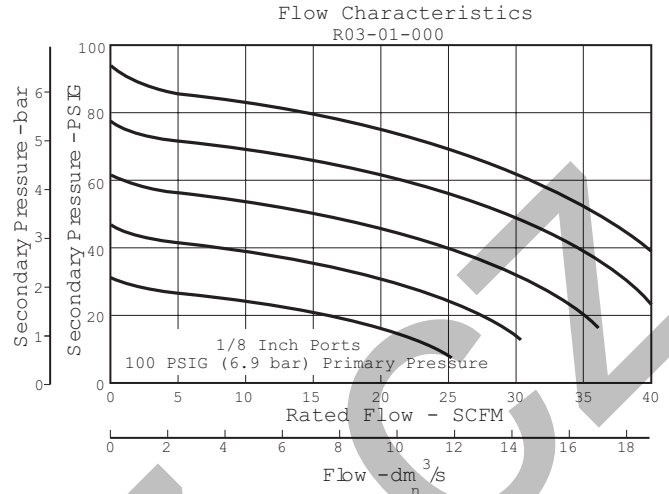
### Replacement Kits

- Poppet / Piston Kits –  
 Unbalanced, Non-Relieving ..... PS428P  
 Unbalanced, Relieving ..... PS426P
- Springs –  
 1-30 PSIG Range..... P01175  
 1-60 PSIG Range..... P01174  
 2-125 PSIG Range ..... P01173  
 1-15 PSIG Range ..... P01176
- Tamperproof Metal Disc.....P01265

### Accessories

- Gauge, Pressure –  
 30 PSIG, 1/8" NPT (0 to 2.1 bar) ..... K4515N18030  
 60 PSIG, 1/8" NPT (0 to 4.1 bar) ..... K4515N18060  
 160 PSIG, 1/8" NPT (0 to 11.0 bar)..... K4515N18160
- Mounting Bracket Kit\* (Includes Panel Mount Nut) ..... PS417B
- Panel Mount Nuts\* –  
 Plastic ..... P78652  
 Metal.....P01531

\*Tighten panel mount nut 2.8 to 3.4 Nm (25 to 30 in-lbs) of torque.



Ordering Information					
Model Type	Port Size	Without Gauge 2 to 125 PSIG (0.2 to 8.6 bar)	Without Gauge 1 to 60 PSIG (0.2 to 4.1 bar)	Without Gauge 1 to 30 PSIG (0.2 to 2.1 bar)	Without Gauge 1 to 15 PSIG (0.2 to 1.0 bar)
Relieving	1/8	R03-01-000	R03-01-L00	R03-01-P00	R03-01-Q00
	1/4	R03-02-000	R03-02-L00	R03-02-P00	R03-02-Q00

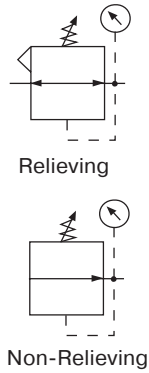
Options - To order an option supplied with the unit model, add the appropriate coded suffix letter in the designated position of the model number.

# Miniature Regulator

## RB3 – Brass

## RA3 – Aluminum

 = "Most Popular"



**RB3-02-F000**

### Features

- Brass Body Construction Handles Water and Compressed Air Service
- Large Diaphragm to Valve Area Ratio for Precise Regulation and High Flow Capacity
- Spring Loaded Diaphragm
- High Flow: 1/4" -14 SCFM
- Panel Mount Nut Standard
- Two 1/8" Gauge Ports

### Specifications

Flow Capacity*	1/4	14 SCFM (6.6 dm <sup>3</sup> /s)
Maximum Supply Pressure		300 PSIG (20.7 bar)
Operating Temperature		40° to 125°F (4.4° to 52°C)
Port Size	NPT / BSPP-G	1/8, 1/4
Weight	lb. (kg)	0.5 (0.23)

\* Inlet pressure 100 PSIG (6.9 bar). Secondary pressure 90 PSIG (6.2 bar). (flow at 25% pressure drop)

### Materials of Construction

Body	RB3 RA3	Brass Aluminum
Bonnet		Acetal
Diaphragm & Seals		Nitrile
Valve Assembly & Bottom Plug		Brass

**Note:** Panel Nut included, but not shown on dimensional drawing.

**Note:** 1.19" dia. (30.2) mm hole required for panel mounting.

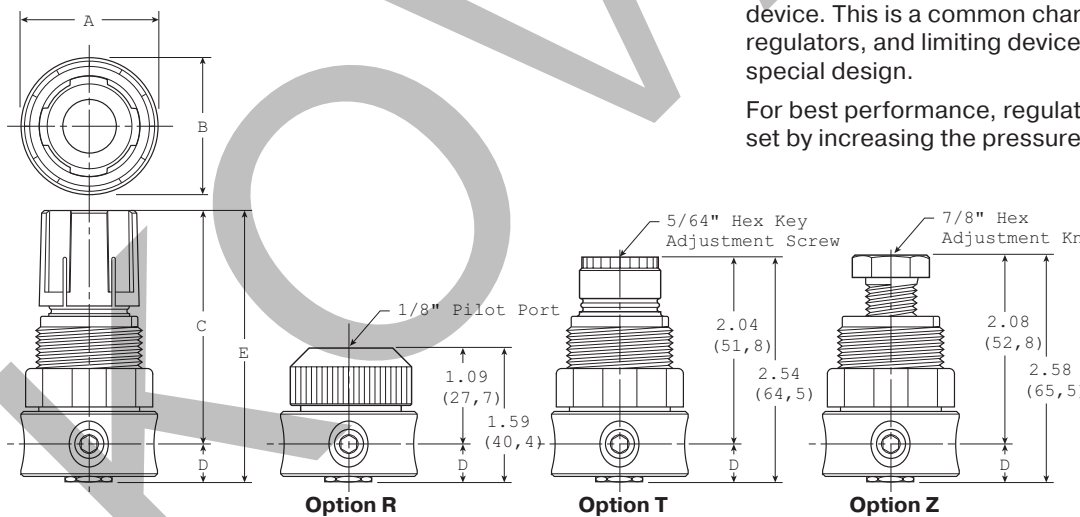
**⚠ WARNING**

**Product rupture can cause serious injury.  
Do not connect regulator to bottled gas.  
Do not exceed maximum primary pressure rating.**

### CAUTION:

**REGULATOR PRESSURE ADJUSTMENT** – The working range of knob adjustment is designed to permit outlet pressures within their full range. Pressure adjustment beyond this range is also possible because the knob is not a limiting device. This is a common characteristic of most industrial regulators, and limiting devices may be obtained only by special design.

For best performance, regulated pressure should always be set by increasing the pressure up to the desired setting.



### Dimensions

Model	Inches (mm)	A	B	C	D	E
Brass Regulator - Miniature RB3-XX-XXXX		1.56 (39.8)	1.56 (39.8)	2.56 (65)	.50 (12.7)	3.06 (77.7)
Aluminum Regulator - Miniature RA3-XX-XXXX		1.56 (39.8)	1.56 (39.8)	2.56 (65)	.50 (12.7)	3.06 (77.7)

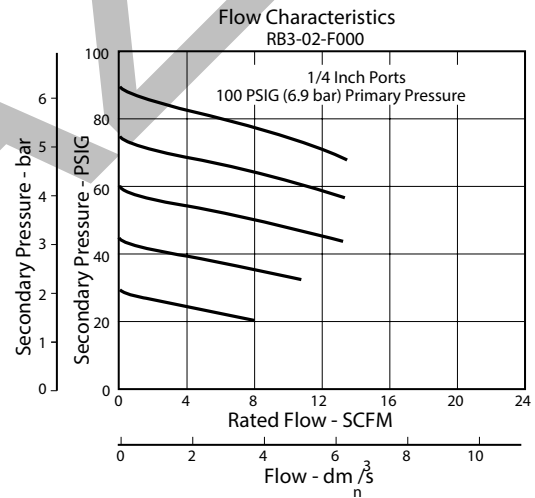
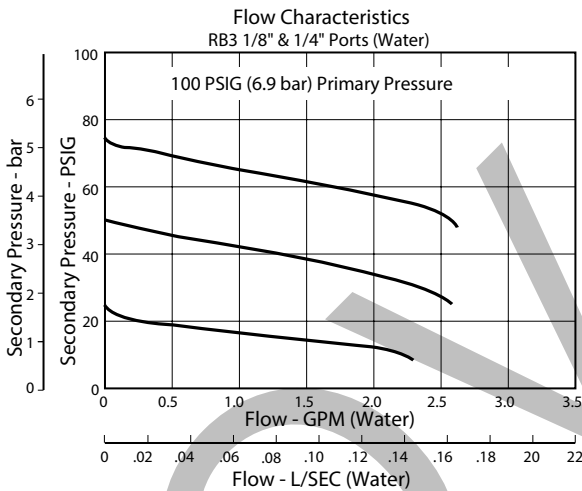
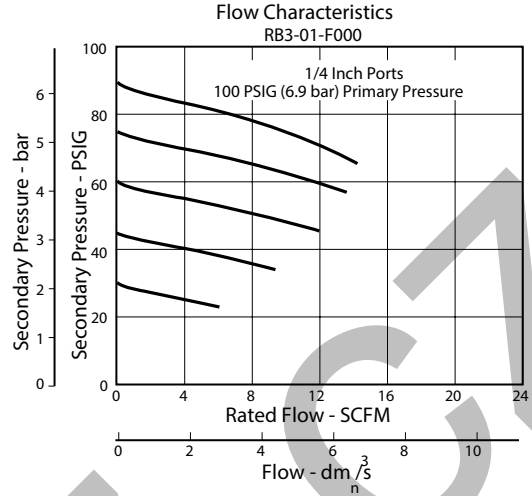
= "Most Popular"

### Repair Kits

- Bonnet, Knob, Adjusting Screw Kit ..... RRP-96-821
- Bonnet, Tamper Resistant Adjustment Kit ..... RRP-96-822
- Repair Kit –
- Relieving..... RRP-96-824
- Non-relieving ..... RRP-96-825

### Accessories

- Gauge, Pressure –
- 0-160 PSI (0-11,0 bar), 1-1/2" Dial Face,
- 1/8" NPT, CBM ..... K4515N18160
- 0-60 PSI (0-4,1 bar), 1-1/2" Dial Face,
- 1/8" NPT ..... K4515N18060
- Panel Mount Nut –
- Aluminum ..... RPA-96-733
- Plastic ..... RPA-96-734
- Wall Mounting Bracket –
- L-Type..... GRP-95-147
- L-Type with Plastic Panel Mount Nut ..... GRP-95-747



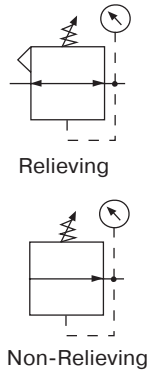
### Ordering Information

Model Type	Port Size	Without Gauge 2 to 125 PSI (0.14 to 8.6 bar)	Without Gauge 1 to 60 PSI (0.07 to 4.1 bar)	Without Gauge 1-25 PSI (0.07 to 1.7 bar)
Relieving	1/8"	RB3-01-F000	RB3-01-D000	RB3-01-C000
	1/4"	RB3-02-F000	RB3-02-D000	RB3-02-C000
Non-relieving	1/8"	RB3-01-R000	RB3-01-W000	RB3-01-P000
	1/4"	RB3-02-R000	RB3-02-W000	RB3-02-P000
Relieving	1/8"	RA3-01-F000	RA3-01-D000	RA3-01-C000
	1/4"	RA3-02-F000	RA3-02-D000	RA3-02-C000
Non-relieving	1/8"	RA3-01-R000	RA3-01-W000	RA3-01-P000
	1/4"	RA3-02-R000	RA3-02-W000	RA3-02-P000

Options - To order an option supplied with the unit model, add the appropriate coded suffix letter in the designated position of the model number.

# Miniature Regulator RA4

 = "Most Popular"



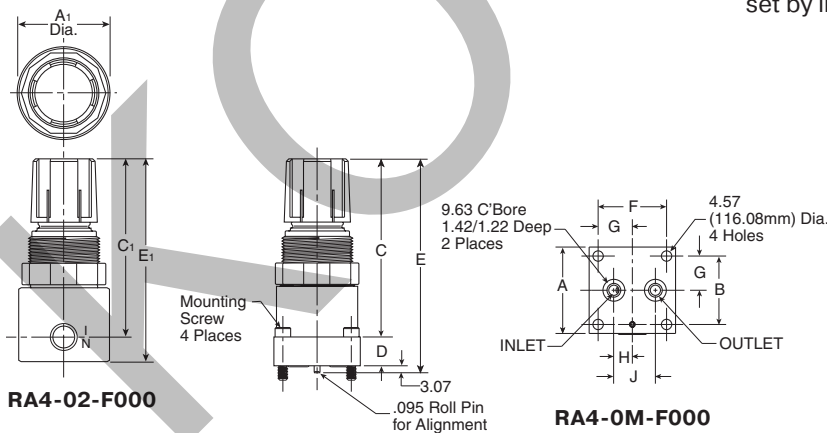
**RA4-02-F000 RA4-0M-F000**

## Features

- Diaphragm Operated for Fast Operation.
- Large Diaphragm to Valve Area Ratio for Precise Regulation and High Flow Capacity.
- Balanced Valve Design for Precise Regulation.
- Available in 2 or 4<sup>†</sup> Port Design.
- Available With a Manifold Mount to Minimize Plumbing.
- Suitable for Low Temperature Applications.
- Non-Rising Adjusting Knob.
- 1/8" - 17 SCFM\*
- 1/4" - 19 SCFM\*

\* SCFM = Standard cubic feet per minute at 100 PSIG inlet, 90 PSIG no flow secondary setting and 10 PSIG pressure drop.

† Not Available with Manifold Mount.



## Dimensions

Models	Inches (mm)	A	A1	B	B1	C	C1	D	E	E1	F	G	H	J
Brass Regulator - Miniature RA4-XX-XXXX		1.5 (38.1)	1.56 (39.7)	1.188 (30.18)	1.56 (39.7)	2.75 (69.92)	2.7 (68.7)	.5 (12.7)	3.25 (82.62)	3.25 (82.62)	1.188 (30.18)	.6 (15.09)	.32 (8.26)	.73 (18.42)

## Specifications

Operating Temperature	-40° F to 150°F (-40° C to 65.5°C)
Supply Pressure	300 PSIG Maximum (20.4 bar)
Port Threads	1/8, 1/4 Inch
Gauge Ports	(2) Std 1/8 Inch (No Gauge Port Version Available)
Weight	.25 lbs. (0.11 kg)

## Materials of Construction

Body	Aluminum
Bonnet	Acetal
Diaphragm & Seals	Nitrile
Valve Assembly	Brass
Springs	Steel
Panel Nut	Acetal

**⚠ WARNING**

**Product rupture can cause serious injury.  
Do not connect regulator to bottled gas.  
Do not exceed maximum primary pressure rating.**

## CAUTION:

**REGULATOR PRESSURE ADJUSTMENT** – The working range of knob adjustment is designed to permit outlet pressures within their full range. Pressure adjustment beyond this range is also possible because the knob is not a limiting device. This is a common characteristic of most industrial regulators, and limiting devices may be obtained only by special design.

For best performance, regulated pressure should always be set by increasing the pressure up to the desired setting.



= "Most Popular"

## Replacement Kits

### Diaphragm Assembly -

- Non-relieving .....GRP-96-726
- Relieving.....GRP-96-725

### Spring, Regulating -

- 0 to 30 PSIG (0 to 2.1 bar) ..... GRP-95-111
- 0 to 60 PSIG (0 to 4.1 bar) ..... GRP-96-718
- 0 to 125 PSIG (0 to 8.6 bar) ..... GRP-96-717
- Valve Assembly .....RRP-96-727
- Valve Spring.....RRP-96-728

## Accessories

- Adjusting Knob.....RRP-16-005-000

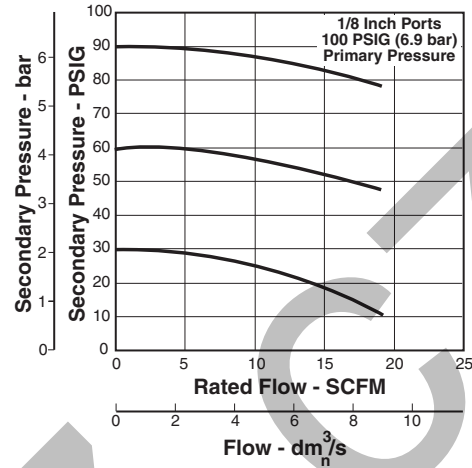
### Panel Mount Nut -

- Aluminum ..... RPA-96-733
- Plastic .....RPA-96-734

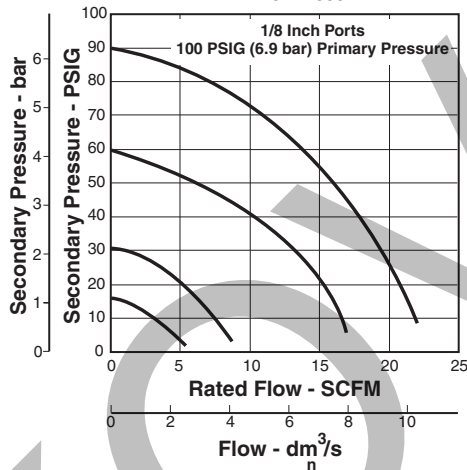
## Gauges

- 0 to 60 PSIG (0 to 4.1 bar), 1-1/2" Dial Face,  
1/8 NPT, CBM ..... K4515N18060
- 0 to 160 PSIG (0 to 11.0 bar), 1-1/2" Dial Face,  
1/8 NPT, CBM .....K4515N18160
- Tamper Resistant Kit ..... RPA-96-735

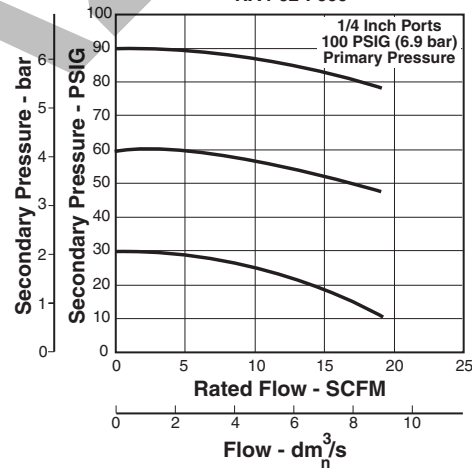
Flow Characteristics  
RA4-01-F000



Flow Characteristics  
RA4-0M-F000



Flow Characteristics  
RA4-02-F000

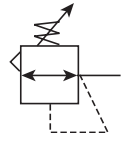


## Ordering Information

Model Type	Port Size	Without Gauge 0 to 30 PSIG (0.0 to 2.1 bar)	Without Gauge 0 to 60 PSIG (0.0 to 4.1 bar)	Without Gauge 0 to 125 PSIG (0.0 to 8.6 bar)	With Gauge 0 to 30 PSIG (0.0 to 2.1 bar)	With Gauge 0 to 60 PSIG (0.0 to 4.1 bar)	With Gauge 0 to 125 PSIG (0.0 to 8.6 bar)
Relieving	1/8"	RA4-01-C000	RA4-01-D000	RA4-01-F000	RA4-01-C0G0	RA4-01-D0G0	RA4-01-F0G0
	1/4"	RA4-02-C000	RA4-02-D000	RA4-02-F000	RA4-02-C0G0	RA4-02-D0G0	RA4-02-F0G0
	Manifold Mount	RA4-0M-C000	RA4-0M-D000	RA4-0M-F000			
Non-relieving	1/8"	RA4-01-P000	RA4-01-W000	RA4-01-R000	RA4-01-P0G0	RA4-01-W0G0	RA4-01-R0G0
	1/4"	RA4-02-P000	RA4-02-W000	RA4-02-R000	RA4-02-P0G0	RA4-02-W0G0	RA4-02-R0G0
	Manifold Mount	RA4-0M-P000	RA4-0M-W000	RA4-0M-R000			

# Miniature Regulator R24, R25

 = "Most Popular"



**R25-02C**

## Features

- Lightweight Plastic Body
- Constructed with a Combination of N.S.F. and F.D.A. Approved Materials
- Unbalanced Poppet Standard
- Non-rising, Push-to-lock Adjusting Knob
- Compact, 3.10 inch (79mm) high by 1.60 inch (41mm) wide
- Lightweight
- Diaphragm Operated

## Specifications

Maximum Supply Pressure	150 PSIG (10 bar)	
Operating Temperature	40° to 125°F (4.4° to 52°C)	
Gauge Ports (2)	(Can be used for full flow)	1/8 Inch
Port Size	NPT	1/8, 1/4
Weight	lb. (kg)	0.25 (0.11)

## Materials of Construction

Adjusting Screw	Steel
Body	Acetal
Bonnet and Seat	Acetal
Diaphragm (R25)	Buna N
Diaphragm (R24)	EPDM
Seals (R25)	Buna N
Seals (R24)	EPDM
Springs	Stainless Steel
Valve Poppet (R25)	Buna N
Valve Poppet (R24)	EPDM

**Note:** 1.25" dia. (31.8) mm hole required for panel mounting.

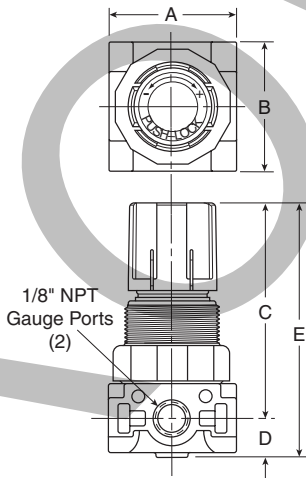
**⚠ WARNING**

**Product rupture can cause serious injury.  
Do not connect regulator to bottled gas.  
Do not exceed maximum primary pressure rating.**

## CAUTION:

**REGULATOR PRESSURE ADJUSTMENT** – The working range of knob adjustment is designed to permit outlet pressures within their full range. Pressure adjustment beyond this range is also possible because the knob is not a limiting device. This is a common characteristic of most industrial regulators, and limiting devices may be obtained only by special design.

For best performance, regulated pressure should always be set by increasing the pressure up to the desired setting.



## Dimensions

Model	Inches (mm)	A	B	C	D	E
Regulator - Miniature, Air Service R25-XXX		1.60 (41)	1.60 (41)	2.61 (66)	0.49 (13)	3.10 (79)
Regulator - Miniature, Water Service R24-XXX		1.60 (41)	1.60 (41)	2.61 (66)	0.49 (13)	3.10 (79)

= "Most Popular"

### Kits and Accessories

Panel Mount Nut –

- Plastic .....R05X51-P
- Aluminum .....R05X51-A

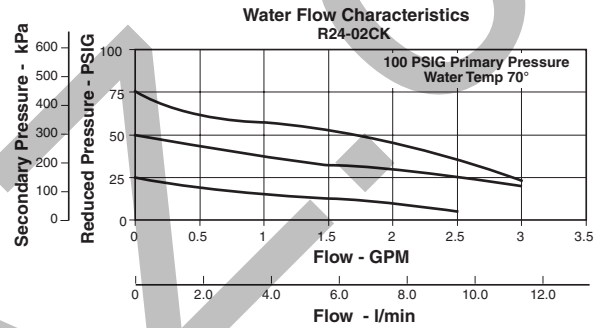
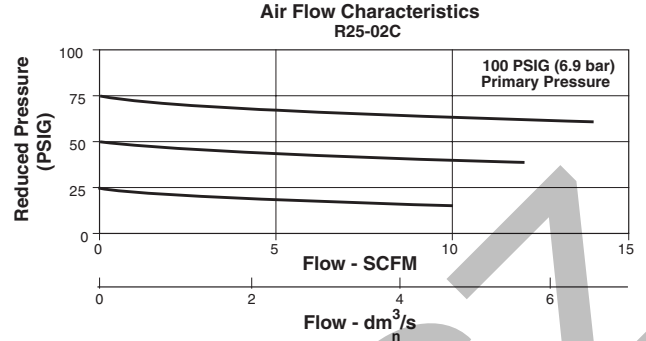
Mounting Bracket and Nut .....SA161X57

Service Kits –

- Relieving (Buna) ..... RKR25Y
- Non-Relieving (Buna) ..... RKR25KY
- Relieving (EPDM) .....RKR24Y
- Non-Relieving (EPDM) ..... RKR24KY

Springs –

- 0-25 psig Spring..... SPR-375-1
- 0-60 psig Spring ..... SPR-376
- 0-125 psig Spring ..... SPR-377



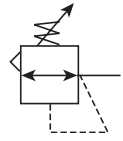
### Ordering Information

Model Type	Port Size	Without Gauge 0 to 125 PSI (0 to 8.6 bar)
Air Service Relieving	1/8"	R25-01C
	1/4"	R25-02C
Water Service Non-relieving	1/8"	R24-01CK
	1/4"	R24-02CK

Options - To order an option supplied with the unit model, add the appropriate coded suffix letter in the designated position of the model number.

# Miniature Regulator R45, R46

= "Most Popular"



**R45-03C**

## Features

- Lightweight Plastic Body
- Constructed with a Combination of N.S.F. and F.D.A. Approved Materials
- Unbalanced Poppet Standard
- Non-rising, Push-to-lock Adjusting Knob
- Compact, 3.43 inch (87mm) high by 2.06 inch (52.3mm) wide
- Lightweight
- Diaphragm Operated

## Specifications

Maximum Supply Pressure	150 PSIG (10 bar)	
Operating Temperature	40° to 125°F (4.4° to 52°C)	
Gauge Ports (2)	(Can be used for full flow)	1/4 Inch
Port Size	NPT	1/4, 3/8
Weight	lb. (kg)	0.38 (0.17)

## Materials of Construction

Adjusting Screw	Steel
Body	Acetal
Bonnet and Seat	Acetal
Diaphragm (R45)	Buna N
Diaphragm (R46)	EPDM
Seals (R45)	Buna N
Seals (R46)	EPDM
Springs	Stainless Steel
Valve Poppet (R45)	Buna N
Valve Poppet (R46)	EPDM

**Note:** 1.25" dia. (31.8) mm hole required for panel mounting.

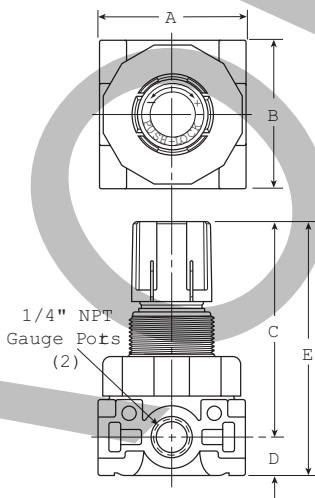
**⚠ WARNING**

**Product rupture can cause serious injury.  
Do not connect regulator to bottled gas.  
Do not exceed maximum primary pressure rating.**

## CAUTION:

**REGULATOR PRESSURE ADJUSTMENT** – The working range of knob adjustment is designed to permit outlet pressures within their full range. Pressure adjustment beyond this range is also possible because the knob is not a limiting device. This is a common characteristic of most industrial regulators, and limiting devices may be obtained only by special design.

For best performance, regulated pressure should always be set by increasing the pressure up to the desired setting.



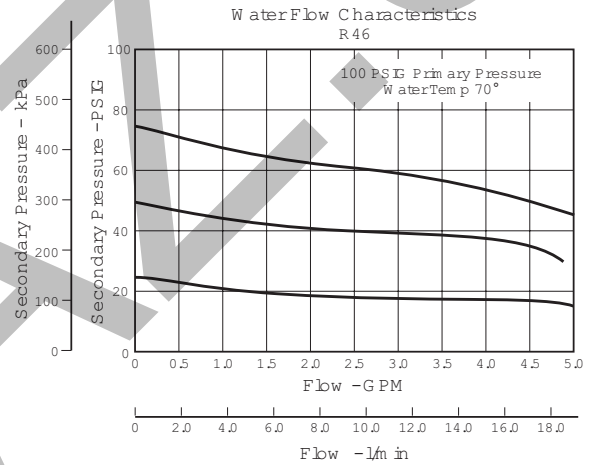
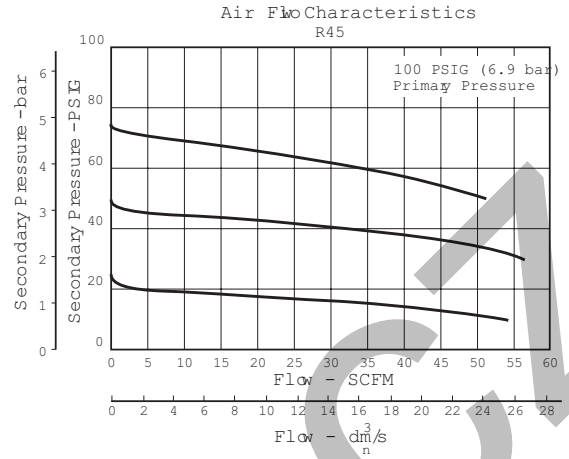
## Dimensions

Model	Inches (mm)	A	B	C	D	E
Regulator - Miniature, Air Service R45-XXX		2.06 (52)	2.06 (52)	2.90 (74)	0.53 (143)	3.43 (87)
Regulator - Miniature, Water Service R46-XXX		2.06 (52)	2.06 (52)	2.90 (74)	0.53 (143)	3.43 (87)

= "Most Popular"

### Kits and Accessories

- Panel Mount Nut –
  - Plastic .....R05X51-P
  - Aluminum .....R05X51-A
- Mounting Bracket and Nut .....SA161X57
- Service Kits –
  - Relieving (Buna) ..... RKR45Y
  - Non-Relieving (Buna) ..... RKR45KY
- Springs –
  - 0-25 psig Spring.....SPR-46
  - 0-60 psig Spring .....SPR-47
  - 0-125 psig Spring.....SPR-48

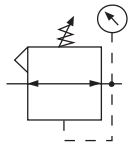


### Ordering Information

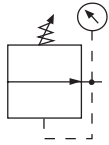
Model Type	Port Size	Without Gauge 0 to 125 PSI (0 to 8.6 bar)
Air Service Relieving	1/4"	R45-02C
	3/8"	R45-03C
Water Service Non-relieving	1/4"	R46-02CK
	3/8"	R46-03CK

Options - To order an option supplied with the unit model, add the appropriate coded suffix letter in the designated position of the model number.

# Regulator R08



Relieving



Non-Relieving



## Features

- Balanced Valve Design
- Unique Flush-mounted Pressure Gauge
- Light Weight
- Modern Modular Design and Appearance

## Specifications

Flow Capacity*	1/4	73 SCFM (34 dm <sup>3</sup> /s, ANR)
Adjusting Range Pressure		0 to 30 PSIG (0 to 2 bar)
		0 to 60 PSIG (0 to 4 bar)
		0 to 125 PSIG (0 to 8 bar)
		0 to 232 PSIG (0 to 16 bar)
Maximum Supply Pressure		300 PSIG (20.7 bar)
Operating Temperature†		-4° to 150°F (-20° to 65.5°C)
Port Size	NPT / BSPP-G	1/4
Weight		0.37 lb. (0.17 kg)

\* Inlet pressure 145 psig (10 bar). Secondary pressure 100 psig (6.9 bar) and 14.5 psig (1 bar) pressure drop.

† Units with square gauges: 5°F to 150°F (-15°C to 65.5°C)

Gauge supplied with every part. Gauge can be installed on the front or back of the regulator. If no gauge is installed, both seal screws must be installed.

## Materials of Construction

Adjustment Knob	Acetal
Body	Aluminum
Bottom Cap	Glass-filled Nylon
Bonnet	Glass-filled Nylon
Diaphragm Assembly	Stainless Steel / Nitrile
Panel Nut	Acetal
Seals	Nitrile
Springs	Steel
Valve Assembly	Acetal / Nitrile

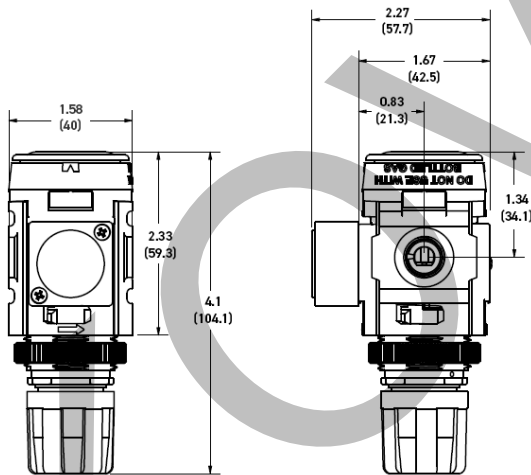
**⚠ WARNING**

**Product rupture can cause serious injury.  
Do not connect regulator to bottled gas.  
Do not exceed maximum primary pressure rating.**

## CAUTION:

**REGULATOR PRESSURE ADJUSTMENT** – The working range of knob adjustment is designed to permit outlet pressures within their full range. Pressure adjustment beyond this range is also possible because the knob is not a limiting device. This is a common characteristic of most industrial regulators, and limiting devices may be obtained only by special design.

For best performance, regulated pressure should always be set by increasing the pressure up to the desired setting.



Inches (mm)

**NOTE:** 1.20 in. (30mm) hole required for panel nut mounting.

### Replacement Kits

Adjusting Knob ..... GRP-96-792

= "Most Popular"

### Accessories

Panel Mount Nut –  
 Aluminum ..... RPA-96-773  
 Plastic ..... RPA-96-734

Pressure Gauge– (\*see note below)

Square flush mount gauge

0-4 bar ..... GRP-96-791-04B  
 0-11 bar ..... GRP-96-792-11B  
 0-20 bar ..... GRP-96-792-20B  
 0-60 PSIG ..... GRP-96-791-060  
 0-160 PSIG ..... GRP-96-791-160  
 0-290 PSIG ..... GRP-96-791-290

\*For R08/R09 Regulators with date code after November 2023 (4423 Date Code), please use these part numbers when ordering a replacement gauge.

Square flush mount gauge

0-4 bar ..... K4511SCR04B  
 0-11 bar ..... K4511SCR11B  
 0-60 PSIG ..... K4511SCR060  
 0-160 PSIG ..... K4511SCR160

Square with adapter kit

0-4 bar ..... P6G-PR10040  
 0-11 bar ..... P6G-PR10110  
 0-60 PSIG ..... P6G-PR90060  
 0-160 PSIG ..... P6G-PR90160

50mm (2") round 1/4" center back mount

0-30 PSIG / 0-2 bar ..... K4520N14030  
 0-60 PSIG / 0-4 bar ..... K4520N14060  
 0-160 PSIG / 0-11 bar ..... K4520N14160  
 0-300 PSIG / 0-20 bar ..... K4520N14300

1-3/4" Digital Round 1/4" NPT

0 to 160 PSIG ..... K4517N14160D

Tamperproof Lock and Cover Kit  
 (lock not included) ..... RPA-96-736B

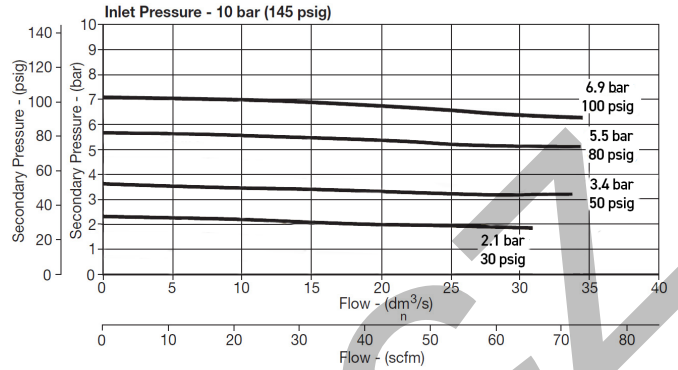
Wall Mounting Bracket –

C-Type ..... GPA-97-010  
 L-Type ..... GPA-96-739  
 T-Type ..... GPA-96-737

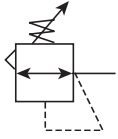
### Ordering Information

Model Type	Port Size	With Gauge 0 to 125 PSIG (0 to 8.6 bar)	With Gauge 0 to 30 PSIG (0 to 2.1 bar)	With Gauge 0 to 60 PSIG (0 to 4.1 bar)
Relieving	1/4	R08-02-F0G0B	R08-02-C0G0B	R08-02-D0G0B

**Options** - To order an option supplied with the unit model, add the appropriate coded suffix letter in the designated position of the model number.



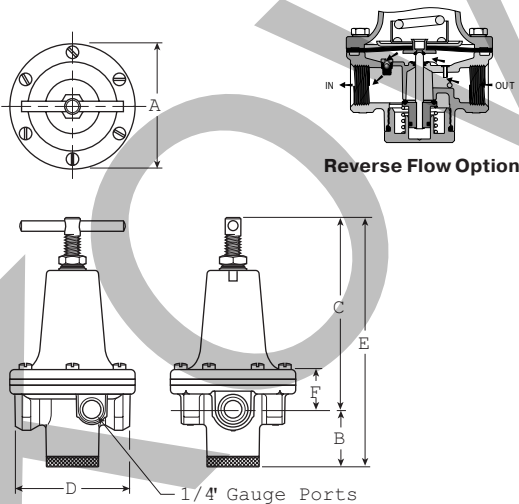
# Regulator R120



**R120-02-000**

## Features

- High flow performance featuring rugged design for the most demanding applications
- Ideal for those installations calling for constant pressure with wide variation in flow
- Diaphragm operated design with balanced poppet design for quick and accurate regulation
- Secondary aspiration plus balanced poppet provides quick response and accurate pressure regulation
- Heavy duty tee handle adjustment
- Reverse flow version available



## Specifications

Flow Capacity <sup>§</sup>	1/4	100 SCFM (47.2 dm <sup>3</sup> /s)
	3/8	110 SCFM (51.9 dm <sup>3</sup> /s)
	1/2	150 SCFM (70.8 dm <sup>3</sup> /s)
Gauge Port (2 ea.)	NPT / BSPP-G	1/4
Reduced Pressure Range	2 to 125 PSIG (0.15 to 8.5 bar)	
Maximum Supply Pressure	300 PSIG (20.7 bar)	
Operating Temperature	40° to 125°F (4.4° to 52°C)	
Port Size	NPT / BSPP-G	1/4, 3/8, 1/2
Weight		
R120-02, R120-03	1.8 lb. (0.82 kg) / Unit	
	26 lb. (11.79) / 12-Unit Master Pack	
R120-04	3.2 lb. (1.45 kg) / Unit	
	27 lb. (12.25) / 8-Unit Master Pack	

§ SCFM = Standard cubic feet per minute at 100 PSIG inlet, 75 PSIG no flow secondary setting, and 20 PSIG pressure drop.

## Materials of Construction

Adjustment Screw, Spring	Steel
Body, spring Cage	Zinc
Bottom Plug	Brass
Innervalve	Brass
Seals	Buna N

**⚠ WARNING**

**Product rupture can cause serious injury.  
Do not connect regulator to bottled gas.  
Do not exceed maximum primary pressure rating.**

## CAUTION:

**REGULATOR PRESSURE ADJUSTMENT** – The working range of knob adjustment is designed to permit outlet pressures within their full range. Pressure adjustment beyond this range is also possible because the knob is not a limiting device. This is a common characteristic of most industrial regulators, and limiting devices may be obtained only by special design.

For best performance, regulated pressure should always be set by increasing the pressure up to the desired setting.

## Dimensions

Model	Inches (mm)	A	B	C	D	E	F
Standard Unit, 1/4 & 3/8 Port R120-XX-000		3.00 (76)	1.38 (35)	4.60 (117)	2.74 (70.5)	5.98 (152)	0.96 (24)
Standard Unit, 1/2 Port R120-X4-000		3.56 (90)	1.56 (40)	5.20 (132)	3.25 (83)	6.76 (172)	1.27 (32)



### R120 Kits and Accessories

**Gauges –**

- 2" Dial Size, 1/4" Back Connection  
0 to 60 PSIG (0 to 400 kPa) ..... K4520N14060
- 2" Dial Size, 1/4" Back Connection  
0 to 160 PSIG (0 to 1100 kPa) ..... K4520N14160
- 2" Dial Size, 1/4" Back Connection  
0 to 300 PSIG (0 to 2068 kPa) ..... K4520N14300

**Mounting Bracket Kit –**

- 1/4", 3/8" ..... WSA15Y57
- 1/2" ..... W18A57

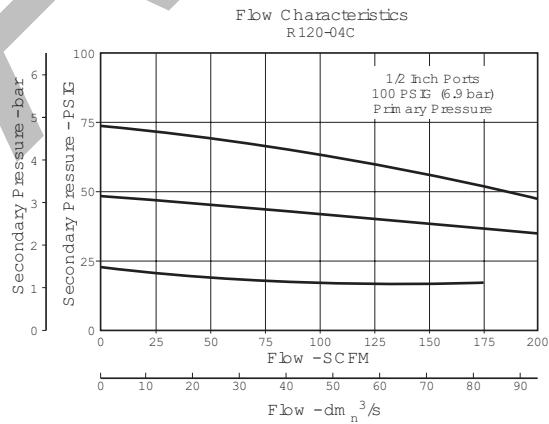
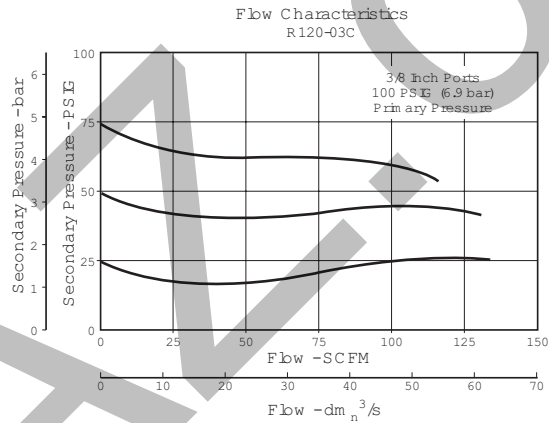
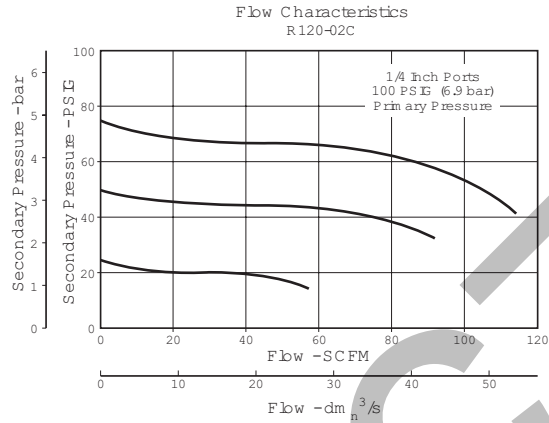
**Panel Mount Conversion Kit –**

- 1/4", 3/8" ..... W4202
- 1/2" ..... W4204

**Repair Kits –**

- Non-Relieving Diaphragm,  
Valve Assembly (1/4", 3/8"; All PSIG) ..... WRK118Y
- Relieving Diaphragm,  
Valve Assembly (1/4", 3/8"; All PSIG) ..... WRK119Y
- Non-Relieving Diaphragm,  
Valve Assembly (1/2"; 25, 60, 125 PSIG)..... WRK118A
- Non-Relieving Diaphragm,  
Valve Assembly (1/2"; 250 PSIG) ..... WRK118A250
- Relieving Diaphragm,  
Valve Assembly (1/2"; 25, 60, 125 PSIG)..... WRK119A
- Relieving Diaphragm,  
Valve Assembly (1/2"; 250 PSIG) ..... WRK119A250

For Fluorocarbon Repair Kits, add X64 to Kit Number suffix.



### Ordering Information

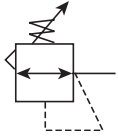
<b>R120</b>	-	<b>0</b>	<b>2</b>	-	<b>0</b>	<b>0</b>	<b>0</b>
<b>Series</b>		<b>Thread type</b>	<b>Port size</b>		<b>Options †</b>		
Regular R120		NPT 0 BSPP C	2 1/4	3 3/8	G Pressure Gauge	H High Pressure Spring (250 PSI)	L Low Pressure Spring (60 PSI)
			4 1/2		N* Non-Relieving	V All Fluorocarbon	X Reverse Flow

Standard pressure spring is 0 to 125 PSIG

\* **Note:** Non-relieving option not available with 250 PSI spring

† For additional options, add to end of model number.  
Must be in alphabetical order and up to a total of 5 options.

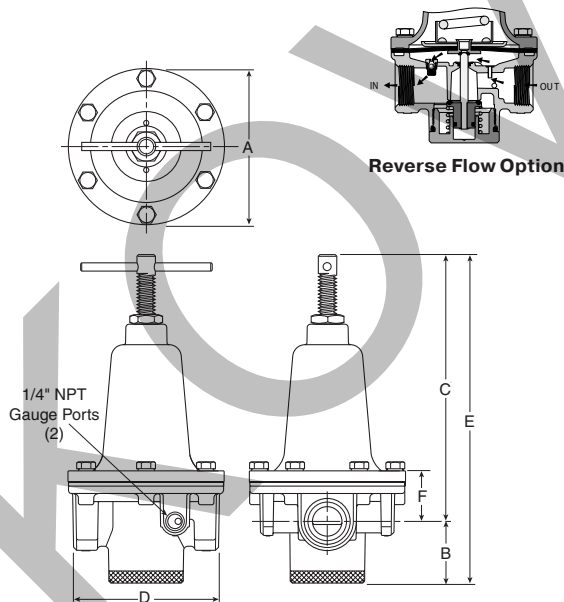
# Regulator R120



**R120-06-000**

## Features

- High flow performance featuring rugged design for the most demanding applications
- Ideal for those installations calling for constant pressure with wide variation in flow
- Diaphragm operated design with balanced poppet design for quick and accurate regulation
- Secondary aspiration plus balanced poppet provides quick response and accurate pressure regulation
- Heavy duty tee handle adjustment
- Reverse flow version available



## Specifications

Flow Capacity <sup>§</sup>	3/4 1	300 SCFM (141.6 dm <sup>3</sup> /s) 400 SCFM (188.8 dm <sup>3</sup> /s)
Gauge Port (2 ea.)	NPT / BSPP-G	1/4
Reduced Pressure Range	2 to 125 PSIG (0.15 to 8.5 bar)	
Maximum Supply Pressure	300 PSIG (20.7 bar)	
Operating Temperature	40° to 125°F (4.4° to 52°C)	
Port Size	NPT / BSPP-G	3/4, 1
Weight	R120-06, R120-08 6.2 lb. (2.81 kg) / Unit 25 lb. (11.34) / 4-Unit Master Pack	

§ SCFM = Standard cubic feet per minute at 100 PSIG inlet, 75 PSIG no flow secondary setting, and 20 PSIG pressure drop.

## Materials of Construction

Adjustment Screw, Spring	Steel
Body, Spring Cage	Zinc
Bottom Plug	Brass
Innervalve	Brass
Seals	Buna N

**⚠ WARNING**

**Product rupture can cause serious injury.  
Do not connect regulator to bottled gas.  
Do not exceed maximum primary pressure rating.**

## CAUTION:

**REGULATOR PRESSURE ADJUSTMENT** – The working range of knob adjustment is designed to permit outlet pressures within their full range. Pressure adjustment beyond this range is also possible because the knob is not a limiting device. This is a common characteristic of most industrial regulators, and limiting devices may be obtained only by special design.

For best performance, regulated pressure should always be set by increasing the pressure up to the desired setting.

## Dimensions

Model	Inches (mm)	A	B	C	D	E	F
Standard Unit, 3/4" & 1" Port R120-XX-000		4.69 (119)	1.87 (47)	8.15 (207)	4.38 (111)	10.02 (255)	1.61 (41)

### R120 Kits and Accessories

**Gauges –**

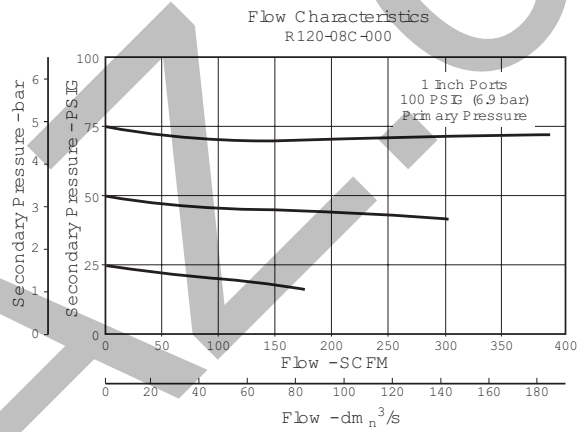
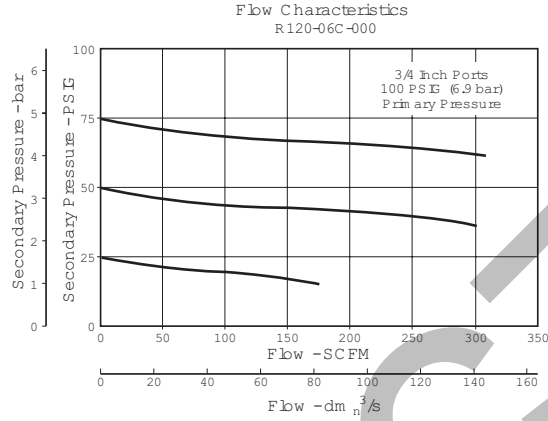
- 2" Dial Size, 1/4" Back Connection  
0 to 60 PSIG (0 to 400 kPa) ..... K4520N14060
- 2" Dial Size, 1/4" Back Connection  
0 to 160 PSIG (0 to 1100 kPa) ..... K4520N14160
- 2" Dial Size, 1/4" Back Connection  
0 to 300 PSIG (0 to 2068 kPa) ..... K4520N14300

Mounting Bracket Kit ..... W18B57

**Repair Kits –**

- Non-Relieving Diaphragm,  
Valve Assembly (3/4", 1") ..... WRK118B
- Relieving Diaphragm,  
Valve Assembly (1/4", 3/8"; All PSIG) ..... WRK119B

For Fluorocarbon Repair Kits, add X64 to Kit Number suffix.



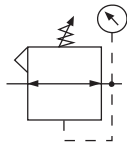
### Ordering Information

<b>R120</b>	-	<b>0</b>	<b>6</b>	-	<b>0</b>	<b>0</b>	<b>0</b>
<b>Series</b>		<b>Thread type</b>	<b>Port size</b>		<b>Options †</b>		
Regular R120		NPT 0 BSPP C	6 3/4 8 1		<b>G</b>	<b>Pressure Gauge</b>	
					<b>H</b>	<b>High Pressure Spring (250 PSI)</b>	
					<b>N</b>	<b>Non-Relieving</b>	
					<b>V</b>	<b>All Fluorocarbon</b>	
					<b>X</b>	<b>Reverse Flow</b>	

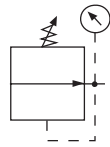
Standard pressure spring is 0 to 125 PSIG.

† For additional options, add to end of model number. Must be in alphabetical order and up to a total of 5 options.

# Regulator R18



Relieving



Non-Relieving



## Features

- Balanced Valve Design
- Spring-loaded Diaphragm
- 4 Adjusting Pressure Ranges Available
- 1/2" NPT / BSPP-G Over-port
- 2 Gauge Ports
- Regulator will Reverse-flow as Standard

## Specifications

Flow Capacity*	1/4	148 SCFM (70 dm <sup>3</sup> /s, ANR)
	3/8	165 SCFM (78 dm <sup>3</sup> /s, ANR)
	1/2	165 SCFM (78 dm <sup>3</sup> /s, ANR)
Adjusting Range Pressure		0 to 30 PSIG (0 to 2 bar)
		0 to 60 PSIG (0 to 4 bar)
		0 to 125 PSIG (0 to 8 bar)
		0 to 250 PSIG (0 to 17 bar)
Gauge Port (2 ea.)	NPT / BSPP-G	1/4
Maximum Supply Pressure		300 PSIG (20.7 bar)
Operating Temperature		-13° to 150° F (-25° to 65.5°C)
Port Size	NPT / BSPP-G	1/4, 3/8, 1/2
Weight		0.90 lb (0.41 kg)

\* Inlet pressure 145 psig (10 bar). Secondary pressure 91.3 psig (6.3 bar) and 14.5 psig (1 bar) pressure drop.

## Materials of Construction

Adjustment Knob	Acetal
Body	Aluminum
Body Cap	ABS
Bonnet	33% glass-filled nylon
Diaphragm Assembly	Nitrile / Steel
Valve Assembly	Brass / Nitrile
Panel Nut	Acetal
Seals	Nitrile
Springs	Main Regulating Valve: Steel Valve: Stainless Steel

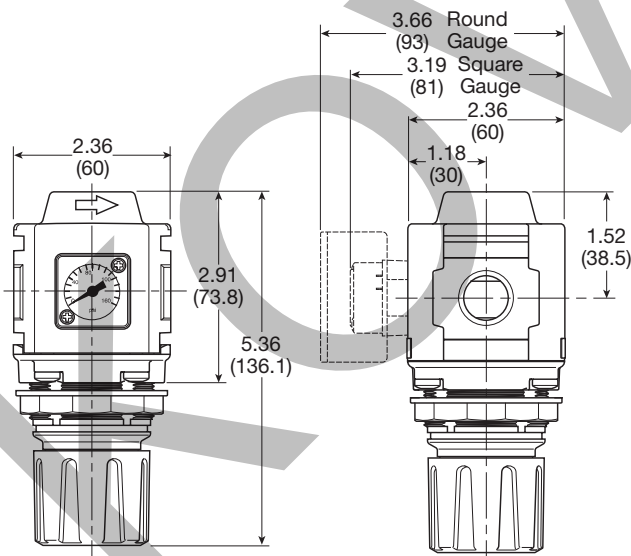
**⚠ WARNING**

**Product rupture can cause serious injury.  
Do not connect regulator to bottled gas.  
Do not exceed maximum primary pressure rating.**

## CAUTION:

**REGULATOR PRESSURE ADJUSTMENT** – The working range of knob adjustment is designed to permit outlet pressures within their full range. Pressure adjustment beyond this range is also possible because the knob is not a limiting device. This is a common characteristic of most industrial regulators, and limiting devices may be obtained only by special design.

For best performance, regulated pressure should always be set by increasing the pressure up to the desired setting.



Inches (mm)

**NOTE:** 1.90 in. (48mm) hole required for panel nut mounting.

= "Most Popular"

### Replacement Kits

- Adjusting Knob ..... RRP-96-655
- Diaphragm Assembly –
  - Non-relieving ..... RRP-96-657B
  - Relieving ..... RRP-96-656B
- Spring, Regulating –
  - 0 to 30 PSIG (0 to 2.1 bar) ..... RRP-96-659B
  - 0 to 60 PSIG (0 to 4.1 bar) ..... RRP-96-660B
  - 0 to 125 PSIG (0 to 8.6 bar) ..... RRP-96-661B
  - 0 to 250 PSIG (0 to 17.2 bar) ..... RRP-96-662B

### Accessories

- Panel Mount Nut –
  - Aluminum ..... RRP-96-673
  - Plastic ..... RRP-96-675B

- Gauge, Pressure –
  - Square flush mount gauge
    - 0-4 bar ..... K4511SCR04B
    - 0-11 bar ..... K4511SCR11B
    - 0-60 PSIG ..... K4511SCR060
    - 0-160 PSIG ..... K4511SCR160

- Square with adapter kit
  - 0-4 bar ..... P6G-PR10040
  - 0-11 bar ..... P6G-PR10110
  - 0-60 PSIG ..... P6G-PR90060
  - 0-160 PSIG ..... P6G-PR90160

- 50mm (2") round 1/4" center back mount
  - 0-30 PSIG / 0-2 bar ..... K4520N14030
  - 0-60 PSIG / 0-4 bar ..... K4520N14060
  - 0-160 PSIG / 0-11 bar ..... K4520N14160
  - 0-300 PSIG / 0-20 bar ..... K4520N14300

- 1-3/4" Digital Round 1/4" NPT
  - 0 to 160 PSIG ..... K4517N14160D

For best performance, regulated pressure should always be set by increasing the pressure up to the desired setting.

- Tamper Resistant Kit ..... RRP-96-671
- Tamperproof Lock and Cover Kit ..... RPA-96-737
- Tamperproof Knob Kit ..... RPA-96-738

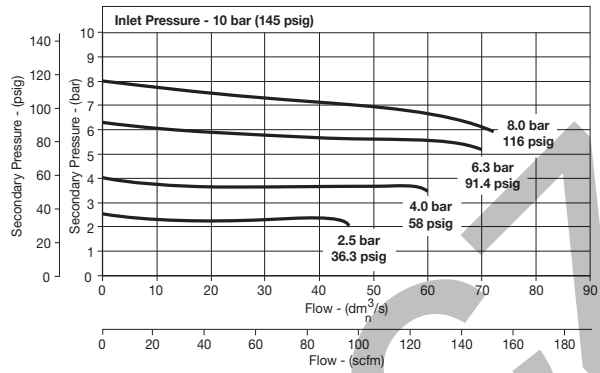
- Wall Mounting Bracket –
  - L-Type ..... GPA-96-606
  - T-Type ..... GPA-96-602

### Ordering Information

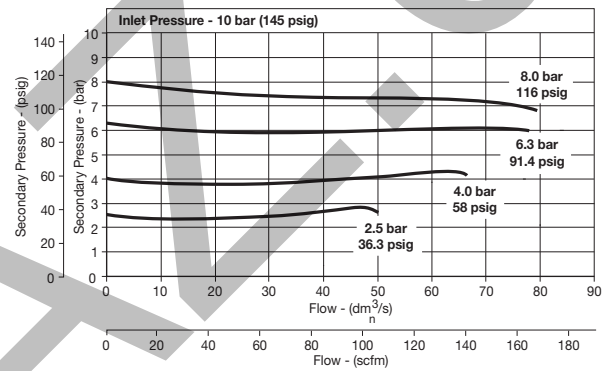
Model Type	Port Size	With Gauge 5 to 125 PSIG (0.4 to 8.6 bar)	With Gauge 10 to 250 PSIG (0.7 to 17.2 bar)	With Gauge 3 to 60 PSIG (0.2 to 4.1 bar)	Without Gauge 5 to 125 PSIG (0.4 to 8.6 bar)
Relieving	1/4	R18-02-F0G0B	R18-02-G0G0B	R18-02-D0G0B	R18-02-F000B
	3/8	R18-03-F0G0B	R18-03-G0G0B	R18-03-D0G0B	R18-03-F000B
	1/2	R18-04-F0G0B	R18-04-G0G0B	R18-04-D0G0B	R18-04-F000B

**Options** - To order an option supplied with the unit model, add the appropriate coded suffix letter in the designated position of the model number.

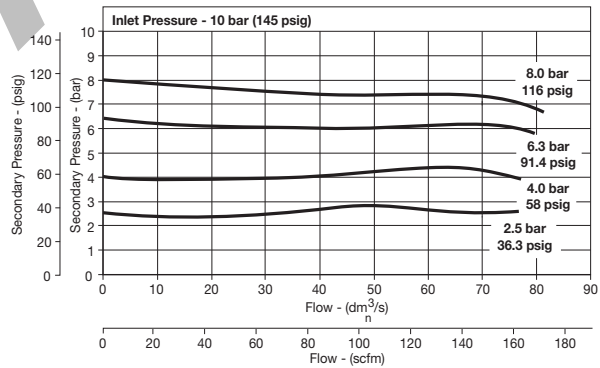
R18 1/4" Regulator



R18 3/8" Regulator

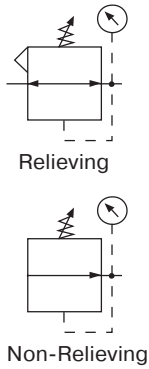


R18 1/2" Regulator



# Regulator R16

= "Most Popular"



**R16-02-000**

## Features

- Non-Rising Adjustment Knob with Friction Lock Knob
- Standard with Two Full Flow 1/4" NPT / BSPT-Rc Gauge Ports
- Panel Mount Nut
- High Flow Capacity
- Balanced Valve Design for Excellent Regulation Characteristics

## Specifications

Flow Capacity*	1/4	71.5 SCFM (33.7 dm <sup>3</sup> /s)
	3/8	80.5 SCFM (38.0 dm <sup>3</sup> /s)
	1/2	88.0 SCFM (41.5 dm <sup>3</sup> /s)
Adjusting Range Pressure		0 to 60 PSIG (0 to 4.1 bar)
		0 to 125 PSIG (0 to 8.6 bar)
		0 to 250 PSIG (0 to 17.2 bar)
Maximum Supply Pressure		300 PSIG (20.7 bar)
Operating Temperature		32° to 150°F (0° to 65.5°C)
Port Size	NPT / BSPP-G	1/4, 3/8, 1/2
Gauge Port (2 ea.)	NPT / BSPT-Rc	1/4
Weight	lb. (kg)	1.7 (0.77)

\* Inlet pressure 100 PSIG (6.9 bar). Secondary pressure 90 PSIG (6.2 bar).

## Materials of Construction

Body	Zinc
Bonnet	PBT
Diaphragm	Nitrile / Zinc
Panel Nut	Acetal
Seals	Nitrile
Springs	Steel
Valve Assembly	Brass / Nitrile / Acetal

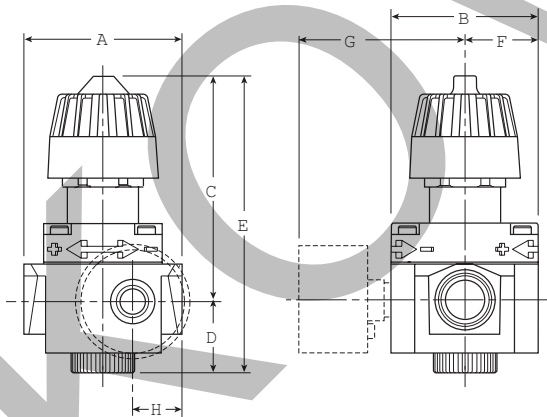
### WARNING

**Product rupture can cause serious injury.  
Do not connect regulator to bottled gas.  
Do not exceed maximum primary pressure rating.**

## CAUTION:

**REGULATOR PRESSURE ADJUSTMENT** – The working range of knob adjustment is designed to permit outlet pressures within their full range. Pressure adjustment beyond this range is also possible because the knob is not a limiting device. This is a common characteristic of most industrial regulators, and limiting devices may be obtained only by special design.

For best performance, regulated pressure should always be set by increasing the pressure up to the desired setting.



**NOTE:** 1.31" Dia. (33.3 mm) hole required for panel nut mounting.

## Dimensions

Models	Inches (mm)	A	B	C	D	E	F	G	H
Standard Unit R16-XX-000		2.99 (76)	2.59 (66)	3.99 (101.3)	1.20 (30.5)	5.19 (132)	1.29 (33)	—	1.02 (25.9)
With Gauge R16-XX-G00		2.99 (76)	2.59 (66)	3.99 (101.3)	1.20 (30.5)	5.19 (132)	1.29 (33)	2.80 (71)	1.02 (25.9)

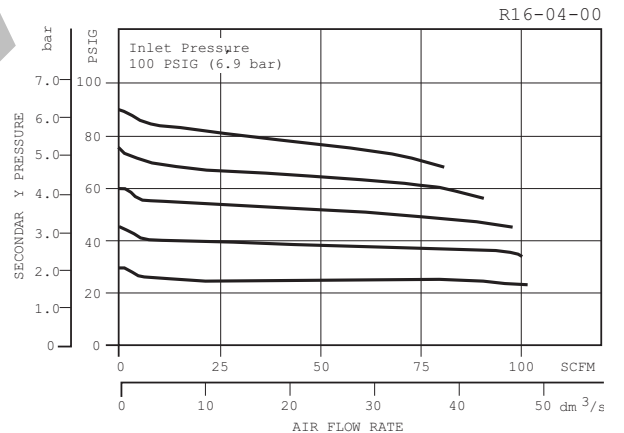
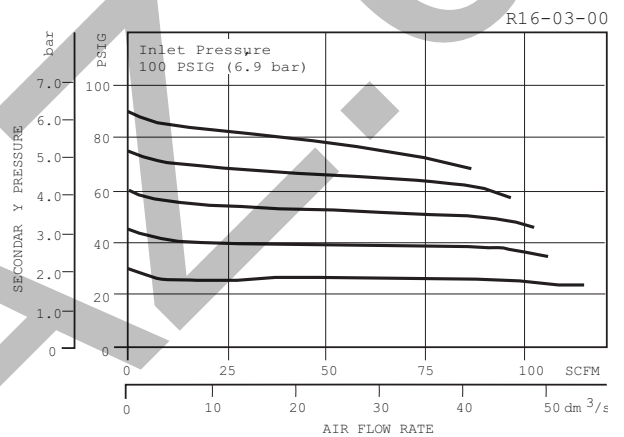
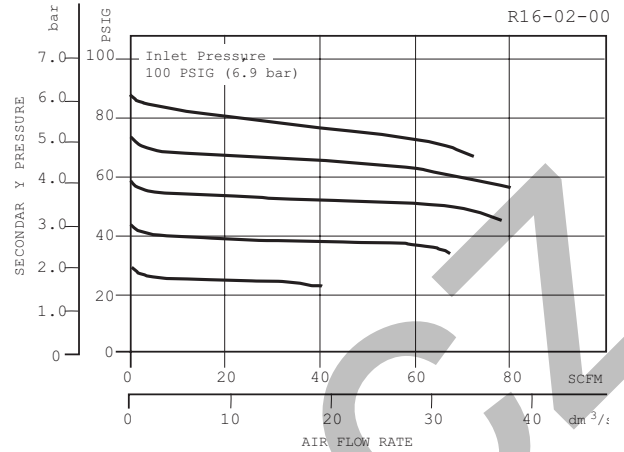
= "Most Popular"

### Replacement Kits

- Adjusting Knob ..... RRP-95-023
- Diaphragm Assembly –
  - Non-relieving ..... RRP-96-216
  - Self-relieving.....RRP-96-213
- Spring, Regulating –
  - 0 to 50 PSIG (0 to 3.4 bar) ..... RRP-95-222
  - 0 to 125 PSIG (0 to 8.6 bar) ..... RRP-95-224
  - 0 to 250 PSIG (0 to 17.2 bar).....RRP-95-218
- Valve Assembly –
  - Valve, Valve Spring, Bottom Plug O-ring .....RRP-96-215

### Accessories

- Gauge, Pressure –
  - 0 to 60 PSIG (0 to 4 bar), 2" Dial Face, 1/4 NPT, CBM .....K4520N14060W
  - 0 to 160 PSIG (0 to 11 bar), 2" Dial Face, 1/4 NPT, CBM ..... K4520N14160W
  - 0 to 300 PSIG (0 to 20 bar), 2" Dial Face, 1/4 NPT, CBM .....K4520N14300W
  - 0 to 160 PSIG, 1-3/4" Digital Round .....K4517N14160D
- Panel Mount Nut, Plastic ..... GPA-95-032
- Tamper Resistant Kit, Ring Style..... RPA-95-006
- Wall Mounting Bracket, Gauge Port Adapter, 1/4 NPT ..... RRP-95-590
- Wall Mounting Bracket –
  - L-Type, Heavy Duty..... RPA-95-090
  - L-Type, Standard .....GPA-95-012
  - L-Type with Plastic Panel Mount Nut .....GPA-95-011

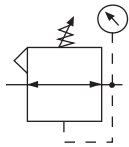


### Ordering Information

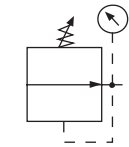
Model Type	Port Size	Without Gauge 5 to 125 PSIG (0.4 to 8.6 bar)	Without Gauge 10 to 250 PSIG (0.7 to 17.2 bar)	Without Gauge 3 to 60 PSIG (0.2 to 4.1 bar)	With Gauge 5 to 125 PSIG (0.4 to 8.6 bar)	With Gauge 10 to 250 PSIG (0.7 to 17.2 bar)	With Gauge 3 to 60 PSIG (0.2 to 4.1 bar)
<b>Relieving</b>	1/4	R16-02-000	R16-02-H00	R16-02-L00	R16-02-G00	R16-02-GH0	R16-02-GL0
	3/8	R16-03-000	R16-03-H00	R16-03-L00	R16-03-G00	R16-03-GH0	R16-03-GL0
	1/2	R16-04-000	R16-04-H00	R16-04-L00	R16-04-G00	R16-04-GH0	R16-04-GL0
<b>Non-relieving</b>	1/4	R16-02-N00	R16-02-HN0	R16-02-LN0	R16-02-GN0	R16-02-GHN	R16-02-GLN
	3/8	R16-03-N00	R16-03-HN0	R16-03-LN0	R16-03-GN0	R16-03-GHN	R16-03-GLN
	1/2	R16-04-N00	R16-04-HN0	R16-04-LN0	R16-04-GN0	R16-04-GHN	R16-04-GLN

Options - To order an option supplied with the unit model, add the appropriate coded suffix letter in the designated position of the model number.

# Regulator R28



Relieving



Non-Relieving



## Features

- Balanced Valve Design
- Spring-loaded Diaphragm
- 4 Adjusting Pressure Ranges Available
- 3/4" NPT / BSPP-G Over-port
- Reverse-flow Available
- 2 Gauge Ports

## Specifications

Flow Capacity*	3/8	228 SCFM (108 dm <sup>3</sup> /s, ANR)
	1/2	233 SCFM (110 dm <sup>3</sup> /s, ANR)
	3/4	233 SCFM (110 dm <sup>3</sup> /s, ANR)
Adjusting Range Pressure		0 to 30 PSIG (0 to 2 bar)
		0 to 60 PSIG (0 to 4 bar)
		0 to 125 PSIG (0 to 8 bar)
		0 to 250 PSIG (0 to 17 bar)

Gauge Port (2 ea.)	NPT / BSPP-G	1/4
Maximum Supply Pressure		300 PSIG (20.7 bar)
Operating Temperature		-13° to 150° F (-25° to 65.5° C)
Port Size	NPT / BSPP-G	3/8, 1/2, 3/4
Weight		1.37 lb. (0.62 kg)

\* Inlet pressure 145 psig (10 bar). Secondary pressure 91.3 psig (6.3 bar) and 14.5 psig (1 bar) pressure drop.

## Materials of Construction

Adjustment Knob	Acetal
Body	Aluminum
Body Cap	ABS
Bonnet	33% Glass-filled Nylon
Diaphragm Assembly	Nitrile / Zinc
Panel Nut	Acetal
Seals	Nitrile
Springs	Main Regulating Valve: Steel Valve: Stainless Steel
Valve Assembly	Brass / Nitrile / Acetal

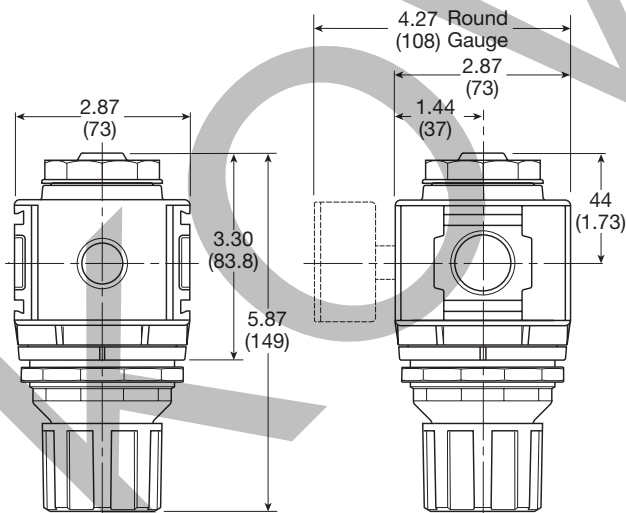
**⚠ WARNING**

**Product rupture can cause serious injury.  
Do not connect regulator to bottled gas.  
Do not exceed maximum primary pressure rating.**

## CAUTION:

**REGULATOR PRESSURE ADJUSTMENT** – The working range of knob adjustment is designed to permit outlet pressures within their full range. Pressure adjustment beyond this range is also possible because the knob is not a limiting device. This is a common characteristic of most industrial regulators, and limiting devices may be obtained only by special design.

For best performance, regulated pressure should always be set by increasing the pressure up to the desired setting.



Inches (mm)

**NOTE:** 2.40 in. (61mm) hole required for panel nut mounting.



= "Most Popular"

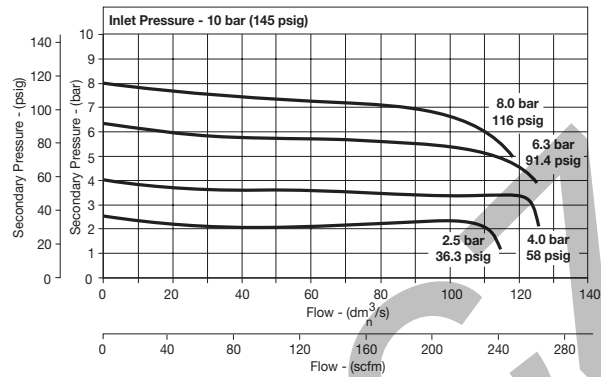
### Replacement Kits

- Diaphragm Assembly –
  - Non-relieving ..... RRP-96-987
  - Relieving..... RRP-96-986
- Valve Assembly ..... RRP-96-049
- Adjusting Knob ..... RRP-16-341-000
- Spring, Regulating
  - 0 to 30 PSIG (0 to 2.1 bar) ..... RRP-96-163
  - 0 to 60 PSIG (0 to 4.1 bar) ..... RRP-96-164
  - 0 to 125 PSIG (0 to 8.6 bar) ..... RRP-96-165
  - 0 to 250 PSIG (0 to 17.2 bar)..... RRP-96-166

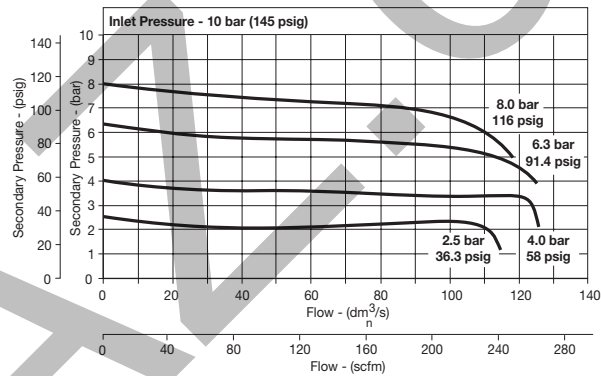
### Accessories

- Panel Mount Nut –
  - Aluminum ..... RRP-96-674
  - Plastic ..... RRP-96-676
- Gauge, Pressure –
  - 50mm (2") round 1/4" center back mount
    - 0-30 PSIG / 0-2 bar ..... K4520N14030
    - 0-60 PSIG / 0-4 bar ..... K4520N14060
    - 0-160 PSIG / 0-11 bar ..... K4520N14160
    - 0-300 PSIG / 0-20 bar ..... K4520N14300
  - 0 to 160 PSIG, 1-3/4" Digital Round, 1/4" NPT ..... K4517N14160D
- Tamper Resistant Kit..... RRP-96-672
- Wall Mounting Bracket
  - L-Type ..... GPA-96-607
  - T-Type ..... GPA-96-602

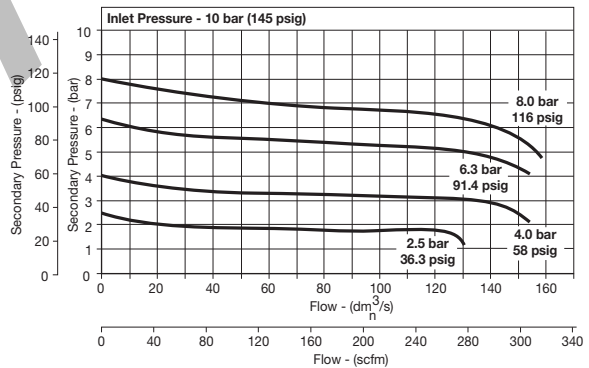
R28 3/8" Regulator



R28 1/2" Regulator



R28 3/4" Regulator



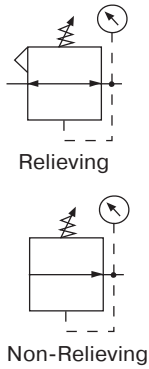
### Ordering Information

Model Type	Port Size	With Gauge 5 to 125 PSIG (0.4 to 8.6 bar)	With Gauge 10 to 250 PSIG (0.7 to 17.2 bar)	With Gauge 3 to 60 PSIG (0.2 to 4.1 bar)	Without Gauge 5 to 125 PSIG (0.4 to 8.6 bar)
Relieving	3/8	R28-03-F0G0B	R28-03-G0G0B	R28-03-D0G0B	R28-03-F000B
	1/2	R28-04-F0G0B	R28-04-G0G0B	R28-04-D0G0B	R28-04-F000B
	3/4	R28-06-F0G0B	R28-06-G0G0B	R28-06-D0G0B	R28-06-F000B

**Options** - To order an option supplied with the unit model, add the appropriate coded suffix letter in the designated position of the model number.

# Regulator R26

= "Most Popular"



**R26-02-000**

## Features

- Non-Rising Adjustment Knob with Friction Lock Knob
- Standard with Two Full Flow 1/4" NPT / BSPT-Rc Gauge Ports
- Panel Mount Nut
- High Flow Capacity
- Balanced Valve Design for Excellent Regulation Characteristics

## Specifications

Flow Capacity*	1/4	112 SCFM (53 dm <sup>3</sup> /s)
	3/8	148 SCFM (70 dm <sup>3</sup> /s)
	1/2	185 SCFM (87 dm <sup>3</sup> /s)
Adjusting Range Pressure		0 to 60 PSIG (0 to 4.1 bar)
		0 to 125 PSIG (0 to 8.6 bar)
		0 to 250 PSIG (0 to 17.2 bar)
Gauge Port (2 ea.)	NPT / BSPT-Rc	1/4
Operating Temperature		32° to 150°F (0° to 65.5°C)
Maximum Supply Pressure		300 PSIG (21 bar)
Port Size	NPT / BSPP-G	1/4, 3/8, 1/2
Weight	lb. (kg)	2.5 (1.34)

\* Inlet pressure 100 PSIG (6.9 bar). Secondary pressure 90 PSIG (6.2 bar).

## Materials of Construction

Body	Zinc
Bonnet	PBT
Diaphragm	Nitrile / Zinc
Panel Nut	Acetal
Seals	Nitrile
Springs	Steel
Valve Assembly	Brass / Nitrile / Acetal

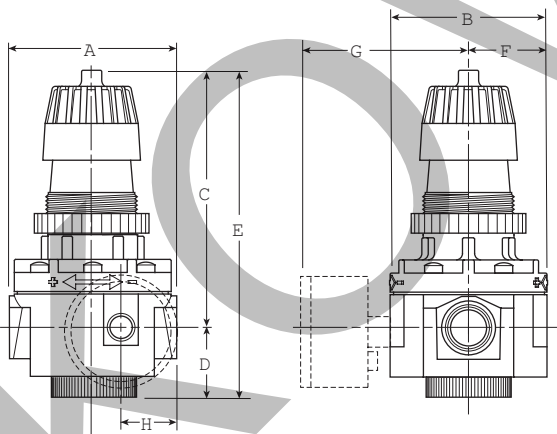
**⚠ WARNING**

**Product rupture can cause serious injury.  
Do not connect regulator to bottled gas.  
Do not exceed maximum primary pressure rating.**

## CAUTION:

**REGULATOR PRESSURE ADJUSTMENT** – The working range of knob adjustment is designed to permit outlet pressures within their full range. Pressure adjustment beyond this range is also possible because the knob is not a limiting device. This is a common characteristic of most industrial regulators, and limiting devices may be obtained only by special design.

For best performance, regulated pressure should always be set by increasing the pressure up to the desired setting.



**NOTE:** 1.88" Dia. (47.8 mm) hole required for panel nut mounting.

## Dimensions

Models	Inches (mm)	A	B	C	D	E	F	G	H
Standard Unit R26-XX-000		3.35 (85)	3.10 (79)	5.13 (130.3)	1.35 (34)	6.48 (165)	1.55 (39.4)	— —	1.13 (28.7)
With Gauge R26-XX-G00		3.35 (85)	3.10 (79)	5.13 (130.3)	1.35 (34)	6.48 (165)	1.55 (39.4)	3.13 (79.5)	1.13 (28.7)

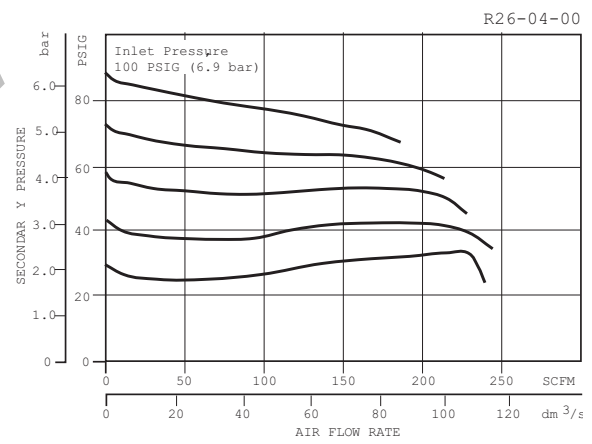
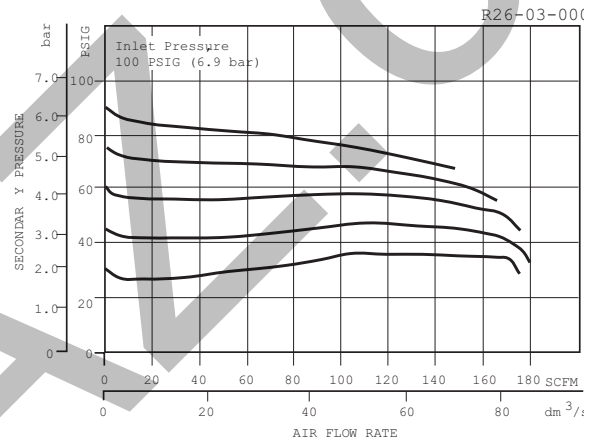
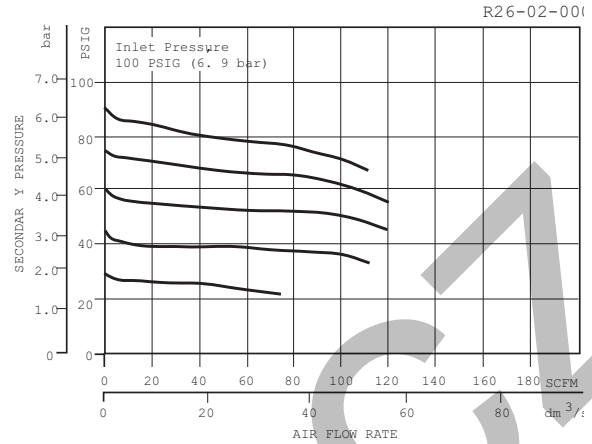
= "Most Popular"

### Replacement Kits

- Diaphragm Assembly –
  - Non-relieving ..... RRP-96-332
  - Self-relieving..... RRP-96-238
- Knob, Adjusting –
  - Used on Units with Plastic Bonnets..... RRP-95-023
- Spring, Regulating –
  - 0 to 60 PSIG (0 to 4,1 bar) ..... RRP-95-962
  - 0 to 125 PSIG (0 to 8,6 bar) ..... GRP-95-225
  - 0 to 250 PSIG (0 to 17,2 bar)..... RRP-95-219
- Valve Assembly –
  - Valve, Valve Spring, Bottom Plug O-ring ..... RRP-96-294

### Accessories

- Gauge, Pressure –
  - 0 to 60 PSIG (0 to 4 bar), 2" Dial Face,  
1/4" NPT, CBM ..... K4520N14060W
  - 0 to 160 PSIG (0 to 11 bar), 2" Dial Face,  
1/4" NPT, CBM ..... K4520N14160W
  - 0 to 300 PSIG (0 to 20 bar), 2" Dial Face,  
1/4" NPT, CBM ..... K4520N14300W
  - 0 to 160 PSIG, 1-3/4" Digital Round  
1/4" NPT ..... K4517N14160D
- Nut, Panel Mount, Plastic..... RRP-95-954
- Tamper Resistant Kit –
  - Ring Style used on Plastic Bonnets ..... RPA-95-006
- Wall Mounting Bracket –
  - C-type ..... GPA-95-051
  - C-type ..... RPA-95-947
  - L-Type – Heavy Duty ..... GPA-95-956
- Wall Mounting Bracket, Gauge Port Adapter,  
1/4" NPT ..... RRP-95-590



### Ordering Information

Model Type	Port Size	Without Gauge 5 to 125 PSIG (0.4 to 8.6 bar)	Without Gauge 10 to 250 PSIG (0.7 to 17.2 bar)	Without Gauge 3 to 60 PSIG (0.2 to 4.1 bar)	With Gauge 5 to 125 PSIG (0.4 to 8.6 bar)	With Gauge 10 to 250 PSIG (0.7 to 17.2 bar)	With Gauge 3 to 60 PSIG (0.2 to 4.1 bar)
<b>Relieving</b>	1/4	R26-02-000	R26-02-H00	R26-02-L00	R26-02-G00	R26-02-GH0	R26-02-GL0
	3/8	R26-03-000	R26-03-H00	R26-03-L00	R26-03-G00	R26-03-GH0	R26-03-GL0
	1/2	R26-04-000	R26-04-H00	R26-04-L00	R26-04-G00	R26-04-GH0	R26-04-GL0
<b>Non-relieving</b>	1/4	R26-02-N00	R26-02-HN0	R26-02-LN0	R26-02-GN0	R26-02-GHN	R26-02-GLN
	3/8	R26-03-N00	R26-03-HN0	R26-03-LN0	R26-03-GN0	R26-03-GHN	R26-03-GLN
	1/2	R26-04-N00	R26-04-HN0	R26-04-LN0	R26-04-GN0	R26-04-GHN	R26-04-GLN

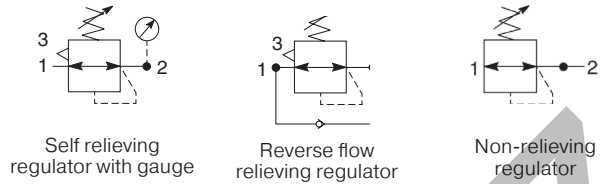
Options - To order an option supplied with the unit model, add the appropriate coded suffix letter in the designated position of the model number.

# Regulator R90

   = "Most Popular"

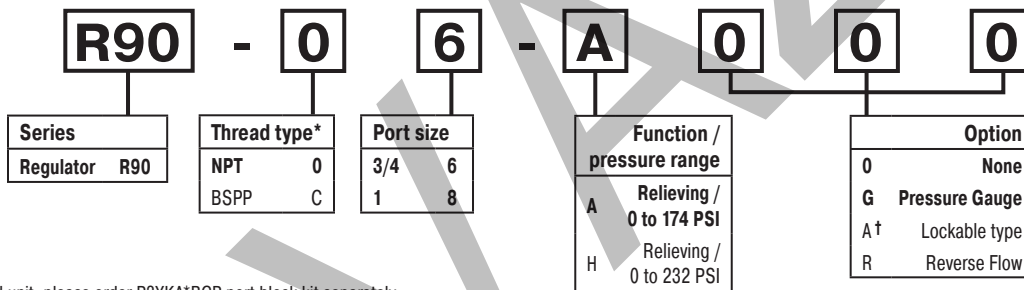


## Symbols



## Features

- Integral 3/4" or 1" ports (BSPP & NPT)
- Robust but lightweight aluminum construction
- Secondary pressure ranges 12 and 16 bar
- Rolling diaphragm for extended life
- Secondary aspiration plus rolling diaphragm provides quick response and accurate pressure regulation
- Optional tamperproof regulator padlock
- Reverse flow / relieving option
- Low temperature -40°



**Notes:**

\* For 1-1/2" ported unit, please order P3YKA\*BCP port block kit separately.

† Not field convertible.

**Bold items are most common.**

## Ordering information

Port size	Description	Flow† scfm	Max. bar (psig)	Min temp °C (°F)	Max temp °C (°F)	Height mm (inches)	Width mm (inches)	Depth mm (inches)	Weight kg (lb)	Part number †
3/4"	12 bar relieving	380	17.5 (254)	-40 (-40)	60 (140)	182 (7.2)	90 (3.5)	94 (3.7)	1.08 (2.4)	<b>R90-06-A000</b>
3/4"	12 bar relieving + pressure gauge	380	17.5 (254)	-10 (14)	60 (140)	182 (7.2)	90 (3.5)	94 (3.7)	1.13 (2.5)	<b>R90-06-AG00</b>
1"	12 bar relieving	550	17.5 (254)	-40 (-40)	60 (140)	182 (7.2)	90 (3.5)	94 (3.7)	1.08 (2.4)	<b>R90-08-A000</b>
1"	12 bar relieving + pressure gauge	550	17.5 (254)	-10 (14)	60 (140)	182 (7.2)	90 (3.5)	94 (3.7)	1.19 (2.6)	<b>R90-08-AG00</b>

† Standard part numbers shown in bold. For other models refer to Options chart above.

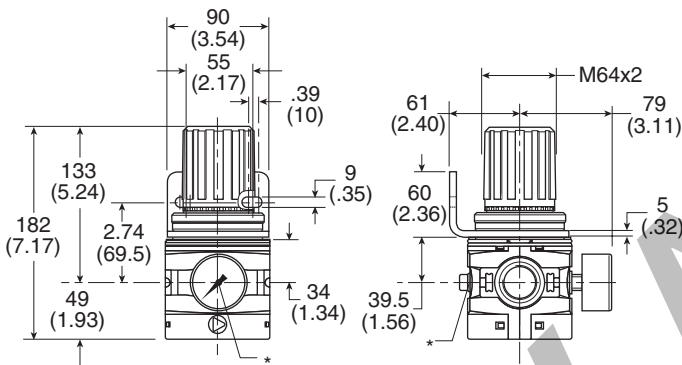
‡ Flow with 6.3 bar (91.4 psig) inlet pressure and 0.5 (7.3 psig) pressure drop.

**Specifications**

Fluid	Compressed air
Maximum inlet pressure*	17.5 bar (254 psig)
Temperature range*	-40°C to 60°C (-40°F to 140°F)
Typical flow with 10 bar (145 psig) inlet pressure and 6.3 bar (91 psig) set pressure and 0.5 bar (7.3 psig) pressure drop	1" size 550 scfm
Gauge port ( x 2 )	1/4"

\* Air supply must be dry enough to avoid ice formation at temperatures below 2°C (35.6°F).

**Dimensions mm (inches)**



\* 1/4" gauge port

**Service kits**

Angle bracket + metal lock ring .....	P3YKA00MS
Panel mounting nut.....	P3YKA00MM
Diaphragm kit (relieving type).....	P3YKA00RR
Diaphragm kit (non-relieving type).....	P3YKA00RN
Gauge - 1/4" port	
0 to 10 bar (0 to 160 psig) .....	K4520N14160
0 to 20 bar (0 to 300 psig) .....	K4520N14300

**⚠ WARNING**

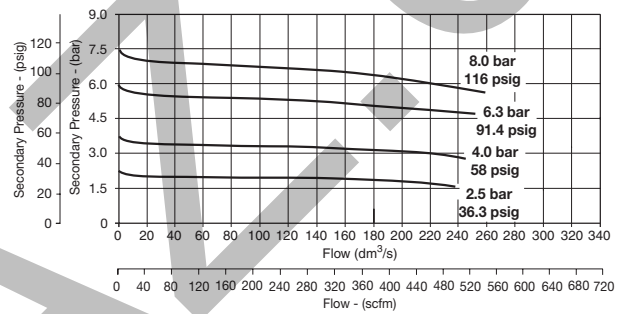
**Product rupture can cause serious injury.  
Do not connect regulator to bottled gas.  
Do not exceed maximum primary pressure rating.**

**Material specifications**

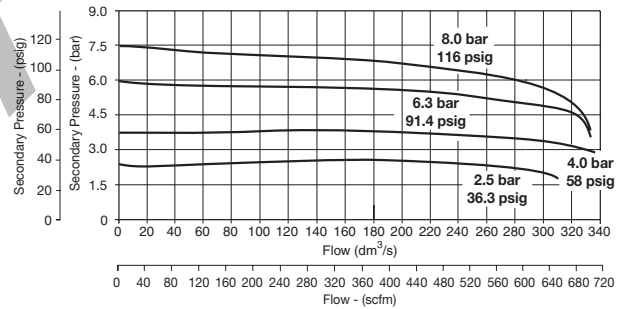
Body	Aluminum
Bonnet	Glass filled polyamide
Regulator cover	ABS
Control knob	Glass filled polyamide
Valve	Brass / NBR
Seals	Nitrile NBR
Screws	Steel / zinc plated

**Flow characteristics**

**(3/4") Regulator**



**(1") Regulator**



**CAUTION:**

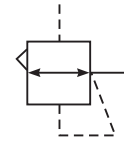
**REGULATOR PRESSURE ADJUSTMENT** – The working range of knob adjustment is designed to permit outlet pressures within their full range. Pressure adjustment beyond this range is also possible because the knob is not a limiting device. This is a common characteristic of most industrial regulators, and limiting devices may be obtained only by special design.

For best performance, regulated pressure should always be set by increasing the pressure up to the desired setting.

# Pilot Operated Regulator R90

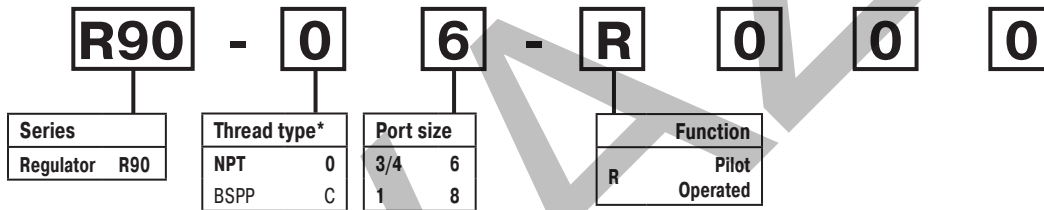
   = "Most Popular"

## Symbol



## Features

- Integral 3/4" or 1" ports (BSPP & NPT)
- Pilot controlled regulators can be mounted "out of reach" with pilot regulator installed in a convenient location
- Constant pilot bleed control for accurate pressure control
- Balanced poppet provides quick response
- High flow



\*Note: For 1-1/2" ported unit, please order P3YKA\*BCP port block kit separately.  
**Bold items are most common.**

## Ordering information

Port size	Description	Flow <sup>‡</sup> scfm	Max. bar (psig)	Min temp °C (°F)	Max temp °C (°F)	Height mm (inches)	Width mm (inches)	Depth mm (inches)	Weight kg (lb)	Part number <sup>†</sup>
3/4"	Pilot operated regulator	550	17.5 (254)	-10 (14)	60 (140)	105.5 (4.15)	90 (3.54)	90 (3.54)	1.2 (2.6)	<b>R90-06-R000</b>
1"	Pilot operated regulator	550	17.5 (254)	-10 (14)	60 (140)	105.5 (4.15)	90 (3.54)	90 (3.54)	1.2 (2.6)	<b>R90-08-R000</b>

<sup>†</sup> Standard part numbers shown in bold. For other models refer to Options chart above.

<sup>‡</sup> Flow with 10 bar (145 psig) inlet pressure, 6.3 bar (91.4 psig) set pressure and 1 bar (14.5 psig) pressure drop.

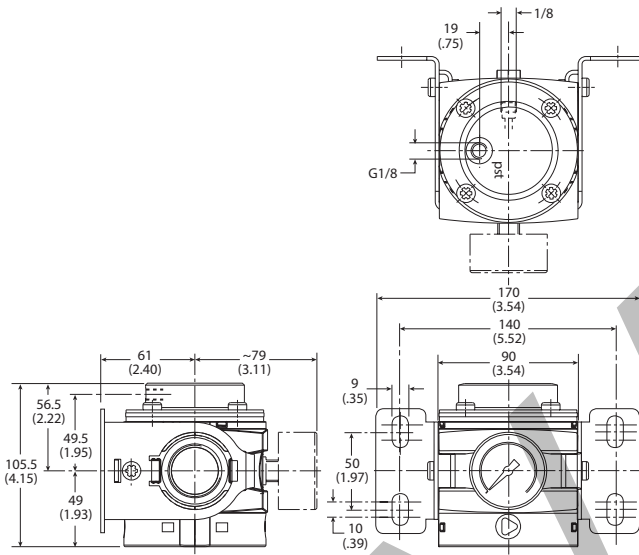
**Specifications**

Fluid	Compressed air
Max. pressure air pilot operated	17.5 bar (254 psig)
Operating temperature	-10°C to 60°C (14°F to 140°F)
Weight	3/4" 1.2 kg (2.6 lb)
	1" 1.2 kg (2.6 lb)

**Material specifications**

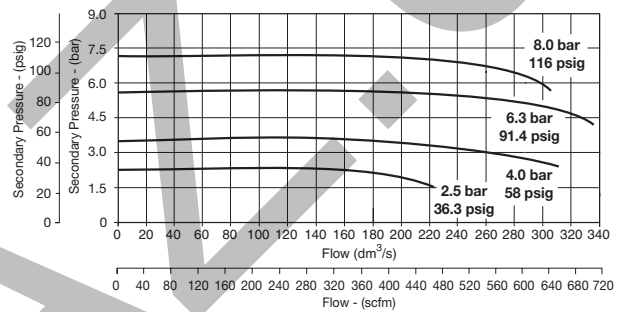
Body	Aluminum
Body cover	ABS
Valve	Brass / NBR composite
Pilot valve booster	Aluminum
Seals	Nitrile NBR
Screws	Zinc plated steel

**Dimensions mm (inches)**



**Flow characteristics**

**3/4" and 1" Pilot Regulator**



**WARNING**

**Product rupture can cause serious injury.  
Do not connect regulator to bottled gas.  
Do not exceed maximum primary pressure rating.**

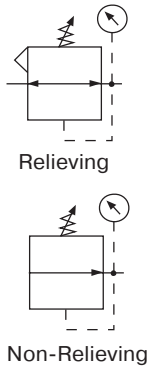
**CAUTION:**

**REGULATOR PRESSURE ADJUSTMENT** – The working range of knob adjustment is designed to permit outlet pressures within their full range. Pressure adjustment beyond this range is also possible because the knob is not a limiting device. This is a common characteristic of most industrial regulators, and limiting devices may be obtained only by special design.

For best performance, regulated pressure should always be set by increasing the pressure up to the desired setting.

# Regulator R30

= "Most Popular"



**R30-06-000**

## Features

- Balanced Valve Design
- Standard Self-Relieving
- Two 1/4 NPT / BSPT-Rc Gauge Ports Standard – Can Be Used for Additional Outlet Ports
- Piston Operated
- High Flow Capacity

## Specifications

Flow Capacity*	3/4 1	481 SCFM (227 dm <sup>3</sup> /s) 500 SCFM (236 dm <sup>3</sup> /s)
Adjusting Range Pressure	0 to 125 PSIG (0 to 8.6 bar) 0 to 180 PSIG (0 to 12.4 bar)	
Gauge Port (2 ea.)	NPT / BSPT-Rc	1/4
Maximum Supply Pressure	300 PSIG (20.7 bar)	
Operating Temperature	32° to 150°F (0° to 65.5°C)	
Port Size	NPT / BSPP-G	3/4, 1
Weight	lb. (kg)	6 (2.7)

\* Inlet pressure 100 PSIG (6.9 bar). Secondary pressure 80 PSIG (5.5 bar).

## Materials of Construction

Body	Zinc
Bonnet	Zinc
Piston	Zinc
Seals	Nitrile
Springs	Steel
Valve Assembly	Brass / Nitrile / Steel

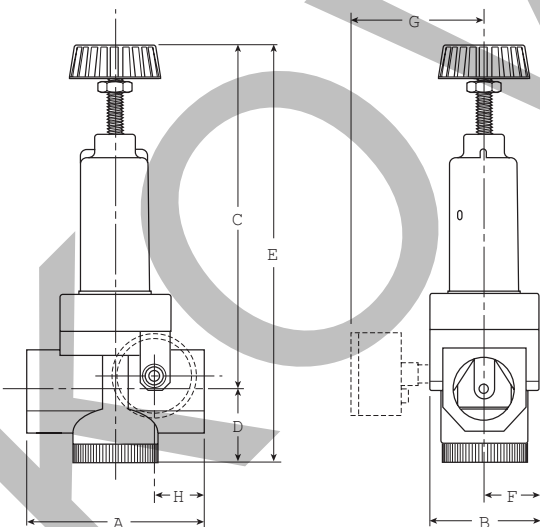
### WARNING

**Product rupture can cause serious injury.  
Do not connect regulator to bottled gas.  
Do not exceed maximum primary pressure rating.**

### CAUTION:

**REGULATOR PRESSURE ADJUSTMENT** – The working range of knob adjustment is designed to permit outlet pressures within their full range. Pressure adjustment beyond this range is also possible because the knob is not a limiting device. This is a common characteristic of most industrial regulators, and limiting devices may be obtained only by special design.

For best performance, regulated pressure should always be set by increasing the pressure up to the desired setting.



## Dimensions

Models	Inches (mm)	A	B	C	D	E	F	G	H
Standard Unit R30-XX-000		4.33 (110)	2.65 (67)	8.62 (218.9)	1.75 (44)	10.37 (263)	1.33 (34)	—	1.23 (31.2)
With Gauge R30-XX-G00		4.33 (110)	2.65 (67)	8.62 (218.9)	1.75 (44)	10.37 (263)	1.33 (34)	2.99 (76)	1.23 (31.2)



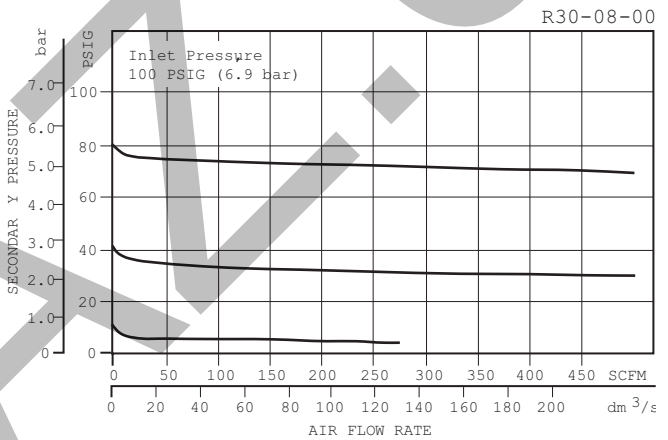
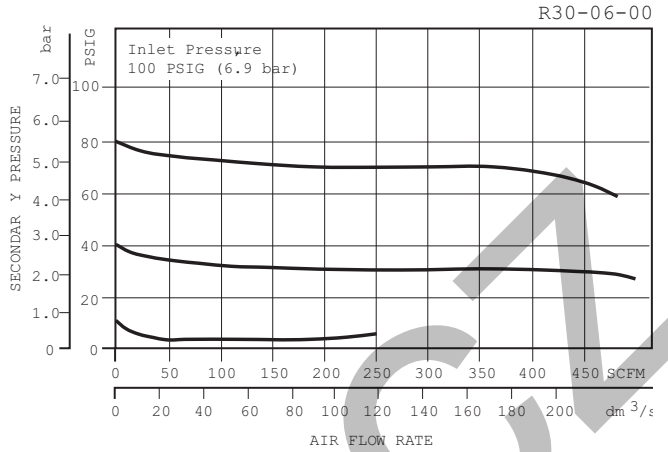
 = "Most Popular"

### Replacement Kits

- Piston Assembly –
  - Non-relieving ..... RRP-95-451
  - Relieving..... RRP-95-964
- Spring, Regulating –
  - 0 to 125 PSIG (0 to 8.6 bar) ..... RRP-95-226
  - 0 to 180 PSIG (0 to 12.4 bar)..... RRP-95-220
- Valve Assembly –
  - Valve, Valve Spring, Bottom Plug O-ring ..... RRP-95-159

### Accessories

- Gauge, Pressure –
  - 0 to 160 PSIG (0 to 11 bar), 2" Dial Face, 1/4" NPT, CBM ..... K4520N14160
  - 0 to 300 PSIG (0 to 20 bar), 2" Dial Face, 1/4" NPT, CBM ..... K4520N14300
  - 0 to 160 PSIG, 1-3/4" Digital Round, 1/4" NPT ..... K4517N14160D
- Wall Mounting Bracket –
  - Gauge Port Adapter, 1/4" NPT ..... RRP-95-590
  - U-bolt Pipe Clamp ..... GRP-95-734



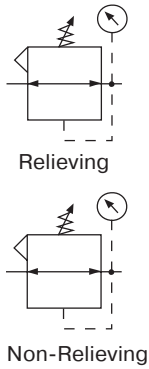
### Ordering Information

Model Type	Port Size	Standard Pressure 10 to 125 PSIG (0.7 to 8.6 bar)	High Pressure 10 to 180 PSIG (0.7 to 12.4 bar)
Relieving	3/4	R30-06-000	R30-06-H00
	1	R30-08-000	R30-08-H00
Non-relieving	3/4	R30-06-N00	R30-06-HN0
	1	R30-08-N00	R30-08-HN0

Options - To order an option supplied with the unit model, add the appropriate coded suffix letter in the designated position of the model number.

# Regulator R40

 = "Most Popular"



**R40-0B-000**

## Features

- Balanced Valve Design
- Standard Self-Relieving
- Two 1/4 NPT / BSPT-Rc Gauge Ports Standard – Can Be Used for Additional Outlet Ports
- Piston Operated
- High Flow Capacity

## Specifications

Flow Capacity*	1-1/2, 2	1200 SCFM (566 dm <sup>3</sup> /s)
Adjusting Range Pressure	0 to 125 PSIG (0 to 8.6 bar)	0 to 180 PSIG (0 to 12.4 bar)
Maximum Supply Pressure	300 PSIG (20.7 bar)	
Operating Temperature	32° to 150°F (0° to 65.5°C)	
Port Size	NPT / BSPP-G	1-1/2, 2
Gauge Port (2 ea.)	NPT / BSPT-Rc	1/4
Weight	lb. (kg)	10.8 (4.9)

\* Inlet pressure 100 PSIG (6.9 bar). Secondary pressure 85 PSIG (5.9 bar).

## Materials of Construction

Body	Zinc
Bonnet	Zinc
Piston	Zinc
Seals	Nitrile
Springs	Steel
Valve Assembly	Brass / Nitrile / Acetal

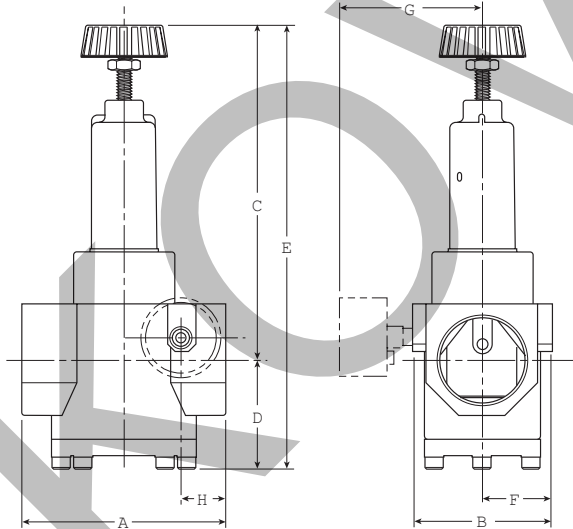
**⚠ WARNING**

**Product rupture can cause serious injury.  
Do not connect regulator to bottled gas.  
Do not exceed maximum primary pressure rating.**

## CAUTION:

**REGULATOR PRESSURE ADJUSTMENT** – The working range of knob adjustment is designed to permit outlet pressures within their full range. Pressure adjustment beyond this range is also possible because the knob is not a limiting device. This is a common characteristic of most industrial regulators, and limiting devices may be obtained only by special design.

For best performance, regulated pressure should always be set by increasing the pressure up to the desired setting.



## Dimensions

Models	Inches (mm)	A	B	C	D	E	F	G	H
Standard Unit R40-XX-000		5.30 (135)	3.63 (92)	9.05 (230)	2.83 (72)	11.88 (302)	1.82 (43)	— —	1.15 (29.2)
With Gauge (order separately) R40-XX-XXX		5.30 (135)	3.63 (92)	9.05 (230)	2.83 (72)	11.88 (302)	1.82 (43)	4.02 (102)	1.15 (29.2)

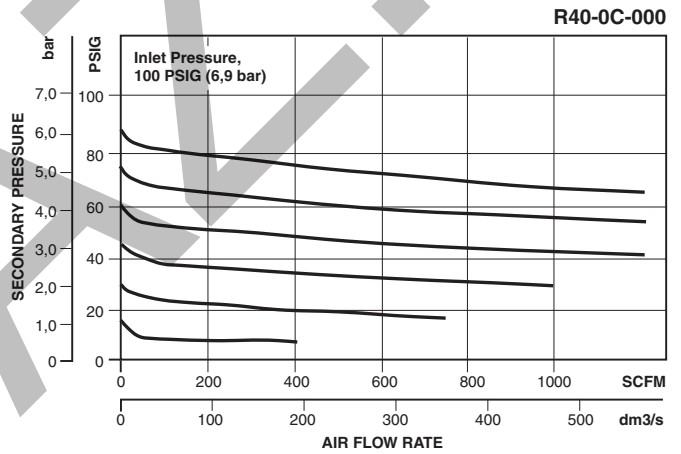
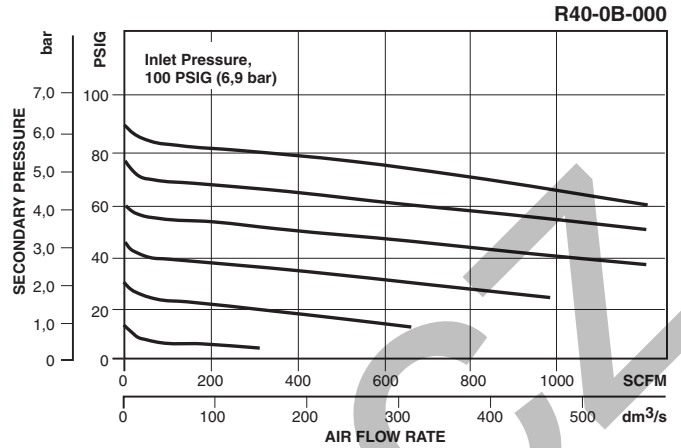
= "Most Popular"

### Replacement Kits

- Piston Assembly –
  - Non-relieving ..... RRP-95-451
  - Relieving..... RRP-95-964
- Spring, Regulating –
  - 0 to 125 PSIG (0 to 8.6 bar) ..... RRP-95-226
  - 0 to 180 PSIG (0 to 12.4 bar)..... RRP-95-220
- Spring, Valve ..... RRP-95-024
- Valve Assembly (Non-relieving) –
  - Valve, Valve Spring ..... RRP-95-162
- Valve Assembly (Self-relieving) –
  - Valve, Valve Spring, Ret. Ring, O-rings ..... RRP-95-161

### Accessories

- Gauge, Pressure –
  - 0 to 160 PSIG (0 to 11 bar), 2" Dial Face, 1/4" NPT, CBM ..... K4520N14160
  - 0 to 300 PSIG (0 to 20 bar), 2" Dial Face, 1/4" NPT, CBM ..... K4520N14300
  - 0 to 160 PSIG, 1-3/4" Digital Round, 1/4" NPT ..... K4517N14160D
- Wall Mounting Bracket, Gauge Port Adapter, 1/4" NPT ..... RRP-95-590



### Ordering Information

Model Type	Port Size	Without Gauge 10 to 125 PSIG (0.7 to 8.6 bar)	High Pressure 10 to 180 PSIG (0.7 to 12.4 bar)
Relieving	1-1/2	R40-0B-000	R40-0B-H00
	2	R40-0C-000	R40-0C-H00
Non-relieving	1-1/2	R40-0B-N00	R40-0B-HN0
	2	R40-0C-N00	R40-0C-HN0

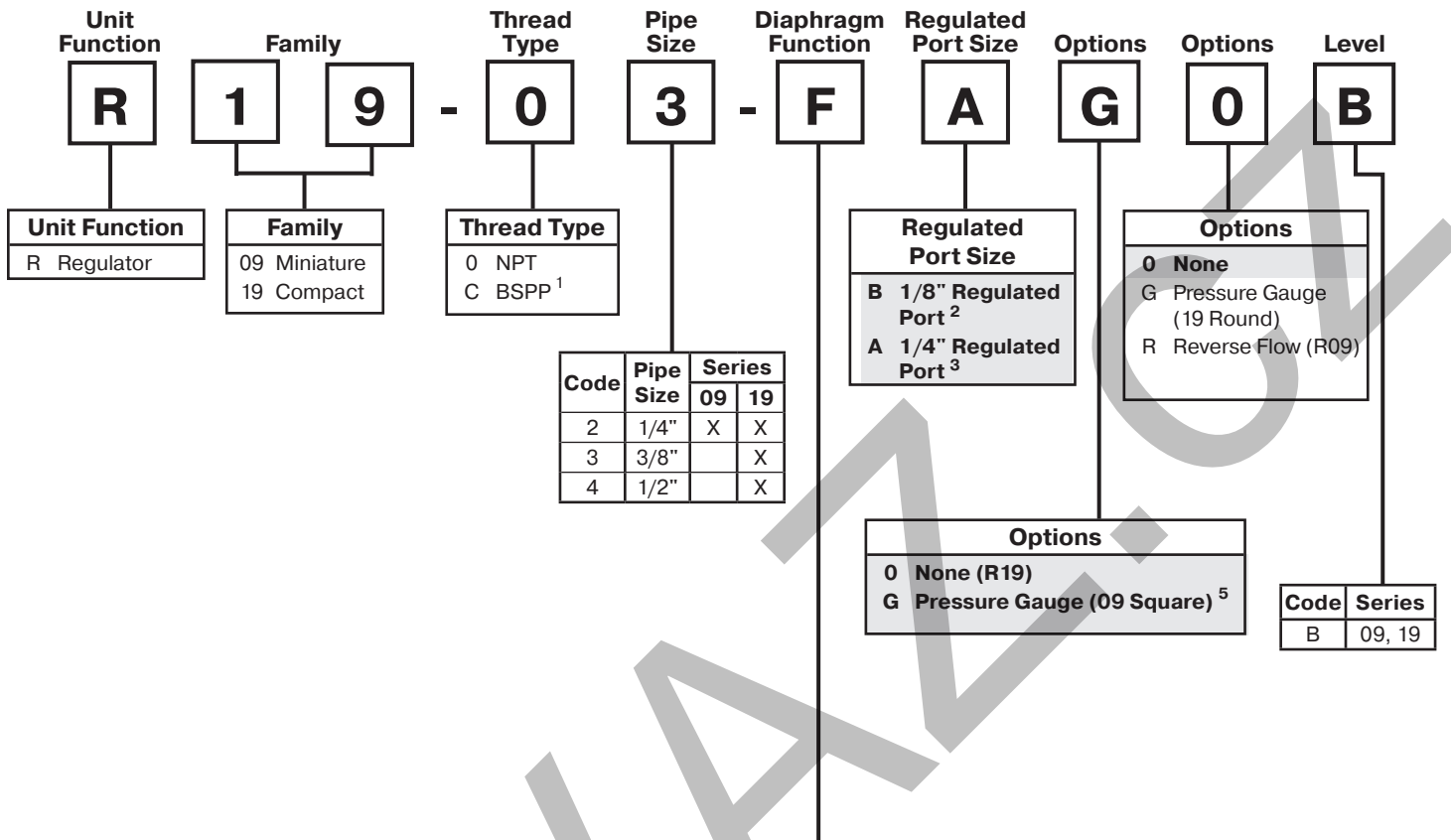
Options - To order an option supplied with the unit model, add the appropriate coded suffix letter in the designated position of the model number.

## Notes

KOLVANZ.COM

# Common-P1 Regulator Numbering System

   = "Most Popular"



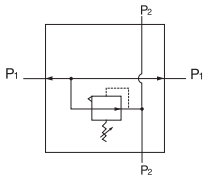
Diaphragm Function	Fluorocarbon (19 Series Only)	Spring Range			
		0 to 30 PSIG (0 to 2.1 bar)	0 to 60 PSIG (0 to 4.1 bar)	0 to 125 PSIG (0 to 8.6 bar)	0 to 250 PSIG <sup>4</sup> (0 to 17.2 bar)
Relieving	No	C	D	<b>F</b>	G
	Yes	J	K	L	M
Non-relieving	No	P	W	R	S
	Yes	V	X	Y	Z

**Note:** When selecting from the options columns, please enter letters in alphabetical order, for example:

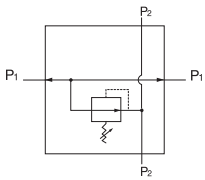
**R09-02-FAG0B**

<sup>1</sup> ISO, R228 (G Series)  
<sup>2</sup> Not available on R19  
<sup>3</sup> Not available on R09  
<sup>4</sup> R09 series operating range 0 to 232 PSIG (1 to 16 bar)  
<sup>5</sup> Square gauge is included with all R08

# Common-P1 Regulator R09



Relieving



Non-Relieving



## Specifications

Flow Capacity*	1/4	42 SCFM (20 dm <sup>3</sup> /s)
Adjusting Range Pressure	0 to 30 PSIG (0 to 2.1 bar) 0 to 60 PSIG (0 to 4.1 bar) 0 to 125 PSIG (0 to 8.6 bar)	
Maximum Supply Pressure	300 PSIG (20.7 bar)	
Operating Temperature	-4° to 150°F (-20° to 65.5°C)	
P1 Port Size (Inlet / Outlet)	NPT / BSPP-G	1/4
P2 Regulated Ports (2 ea.)	NPT / BSPP-G	1/8
Weight	0.37 lb (0.17 kg)	

\* Inlet pressure 145 PSIG (10 bar). Secondary pressure 100 PSIG (6.9 bar).

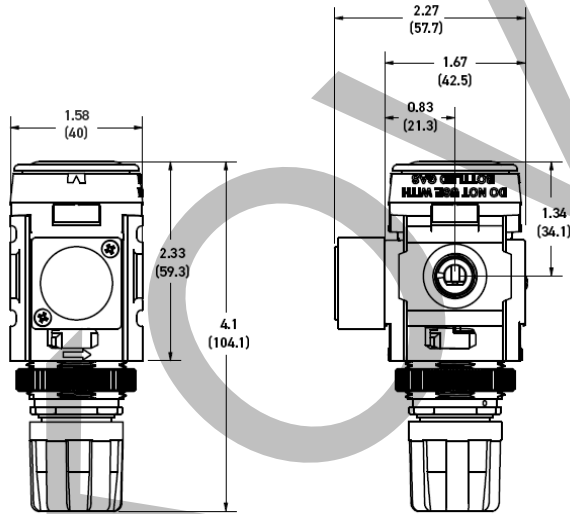
Gauge supplied with every part. Gauge can be installed on the front or back of the regulator. If no gauge is installed, both seal screws must be installed.

## Features

- Balanced Valve Design
- 2 Regulated Ports
- Light Weight
- Modern Modular Design and Appearance

## Materials of Construction

Adjustment Knob	Acetal
Body	Aluminum
Bottom Cap	Glass-filled Nylon
Bonnet	Glass-filled Nylon
Diaphragm Assembly	Stainless Steel / Nitrile
Valve Assembly	Acetal / Nitrile



Inches (mm)

**NOTE:** 1.90 in. (48mm) hole required for panel nut mounting.

**⚠ WARNING**

**Product rupture can cause serious injury.  
Do not connect regulator to bottled gas.  
Do not exceed maximum primary pressure rating.**

## CAUTION:

**REGULATOR PRESSURE ADJUSTMENT** – The working range of knob adjustment is designed to permit outlet pressures within their full range. Pressure adjustment beyond this range is also possible because the knob is not a limiting device. This is a common characteristic of most industrial regulators, and limiting devices may be obtained only by special design.

For best performance, regulated pressure should always be set by increasing the pressure up to the desired setting.

### Replacement Kits

Adjusting Knob ..... GRP-96-792

### Accessories

Panel Mount Nut –  
 Aluminum ..... RPA-96-773  
 Plastic ..... RPA-96-734

Pressure Gauge– (\*see note below)

Square flush mount gauge

0-4 bar .....	GRP-96-791-04B
0-11 bar .....	GRP-96-792-11B
0-20 bar .....	GRP-96-792-20B
0-60 PSIG .....	GRP-96-791-060
0-160 PSIG.....	GRP-96-791-160
0-290 PSIG .....	GRP-96-791-290

\*For R08/R09 Regulators with date code after November 2023 (4423 Date Code), please use these part numbers when ordering a replacement gauge.

Square flush mount gauge

0-4 bar .....	K4511SCR04B
0-11 bar .....	K4511SCR11B
0-60 PSIG .....	K4511SCR060
0-160 PSIG.....	K4511SCR160

Square with adapter kit

0-4 bar .....	P6G-PR10040
0-11 bar .....	P6G-PR10110
0-60 PSIG .....	P6G-PR90060
0-160 PSIG.....	P6G-PR90160

50mm (2") round 1/4" center back mount

0-30 PSIG / 0-2 bar.....	K4520N14030
0-60 PSIG / 0-4 bar.....	K4520N14060
0-160 PSIG / 0-11 bar.....	K4520N14160
0-300 PSIG / 0-20 bar.....	K4520N14300

1-3/4" Digital Round 1/4" NPT

0 to 160 PSIG .....	K4517N14160D
---------------------	--------------

Tamperproof Lock and Cover Kit  
 (lock not included)..... RPA-96-736B

Wall Mounting Bracket –

C-Type.....	GPA-97-010
L-Type.....	GPA-96-739
T-Type.....	GPA-96-737

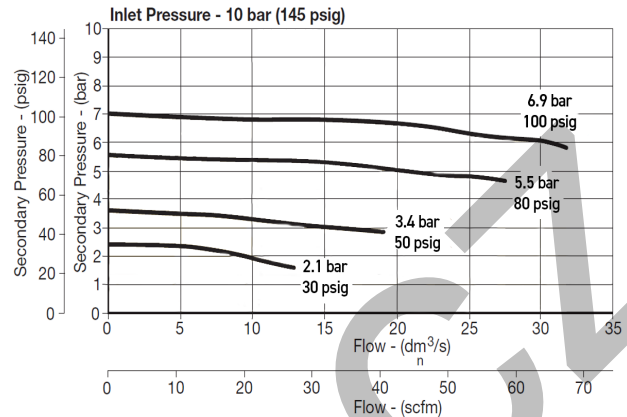
### Ordering Information

All P2 Regulated Ports are 1/8" Ports

Model Type	P1 Port Size	Without Gauge 0 to 125 PSIG (0 to 8.6 bar)	Without Gauge 0 to 30 PSIG (0 to 2.1 bar)	Without Gauge 0 to 60 PSIG (0 to 4.1 bar)
Relieving	1/4	R09-02-FB00B	R09-02-CB00B	R09-02-DB00B
Non-relieving	1/4	R09-02-RB00B	R09-02-PB00B	R09-02-WB00B

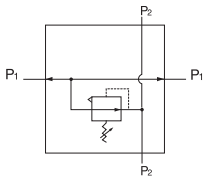
**Options** - To order an option supplied with the unit model, add the appropriate coded suffix letter in the designated position of the model number.

= "Most Popular"

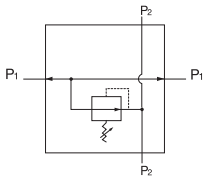


**Typical Application**

# Common-P1 Regulator R19



Relieving



Non-Relieving



## Features

- Balanced Valve Design
- Spring-loaded Diaphragm
- 4 Adjusting Pressure Ranges Available
- 1/2" NPT / BSPP-G Over-port
- 2 Regulated Ports

## Specifications

Flow Capacity*	1/4, 3/8, 1/2	64.0 SCFM (31 dm <sup>3</sup> /s)
Adjusting Range Pressure		0 to 30 PSIG (0 to 2.1 bar)
		0 to 60 PSIG (0 to 4.1 bar)
		0 to 125 PSIG (0 to 8.6 bar)
		0 to 250 PSIG (0 to 17.2 bar)
Maximum Supply Pressure		300 PSIG (20.7 bar)
Operating Temperature		-13° to 150°F (-25° to 65.5°C)
P1 Port Size (Inlet / Outlet)	NPT / BSPP-G	1/4, 3/8, 1/2
P2 Regulated Ports (2 ea.)	NPT / BSPP-G	1/4
Weight		0.50 lb (0.22 kg)

\* Inlet pressure 100 PSIG (6.9 bar). Secondary pressure 90 PSIG (6.2 bar).

## Materials of Construction

Adjustment Knob	Acetal
Body	Aluminum
Body Cap	ABS
Bonnet	33% Glass-filled Nylon
Bottom Plug	33% Glass-filled Nylon
Diaphragm Assembly	Nitrile / Steel
Panel Nut	Acetal
Seals	Nitrile
Springs	Main Regulating Valve: Steel Stainless Steel
Valve Assembly	Brass / Nitrile

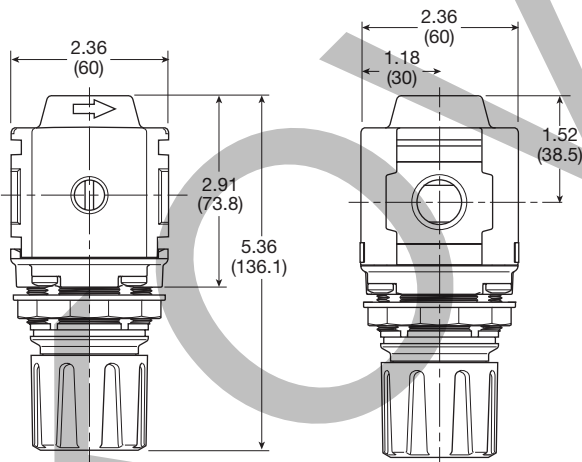
**⚠ WARNING**

**Product rupture can cause serious injury.  
Do not connect regulator to bottled gas.  
Do not exceed maximum primary pressure rating.**

## CAUTION:

**REGULATOR PRESSURE ADJUSTMENT** – The working range of knob adjustment is designed to permit outlet pressures within their full range. Pressure adjustment beyond this range is also possible because the knob is not a limiting device. This is a common characteristic of most industrial regulators, and limiting devices may be obtained only by special design.

For best performance, regulated pressure should always be set by increasing the pressure up to the desired setting.



Inches (mm)

**NOTE:** 1.90 in. (48mm) hole required for panel nut mounting.

Inches (mm)



 = "Most Popular"

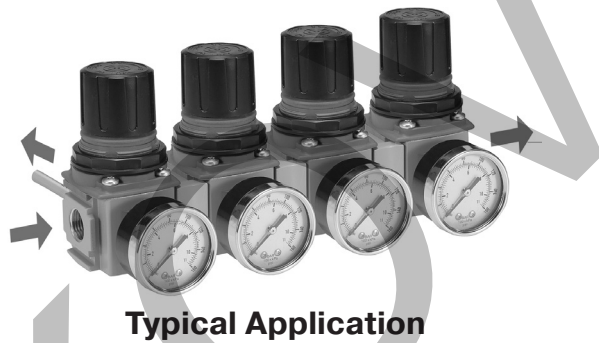
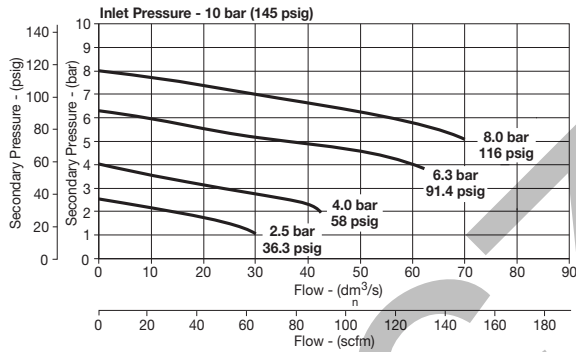
### Replacement Kits

- Diaphragm Assembly –
  - Non-relieving ..... RRP-96-761B
  - Relieving..... RRP-96-760B
- Spring, Regulating–
  - 0 to 30 PSIG (0 to 2.1 bar) ..... RRP-96-659B
  - 0 to 60 PSIG (0 to 4.1 bar) ..... RRP-96-660B
  - 0 to 125 PSIG (0 to 8.6 bar) ..... RRP-96-661B
  - 0 to 250 PSIG (0 to 17.2 bar)..... RRP-96-662B

### Accessories

- Gauge, Pressure –
  - 50mm (2") round 1/4" center back mount
    - 0-30 PSIG / 0-2 bar ..... K4520N14030
    - 0-60 PSIG / 0-4 bar ..... K4520N14060
    - 0-160 PSIG / 0-11 bar ..... K4520N14160
    - 0-300 PSIG / 0-20 bar ..... K4520N14300
  - 0 to 160 PSIG, 1-3/4" Digital Round, 1/4" NPT ..... K4517N14160D
- Panel Mount Nut –
  - Aluminum ..... RRP-96-673
  - Plastic ..... RRP-96-675
- Tamper Resistant Kit..... RRP-96-671
- Wall Mounting Bracket –
  - L-Type..... GPA-96-606
  - T-Type ..... GPA-96-603

NOTE: Gauge not included, order separately by accessory number.



### Ordering Information

All units shown with 1/4" regulated ports.

Model Type	P1 Port Size	5-125 PSIG (0.4 to 8.6 bar)	10-250 PSIG (0.7 to 7.2 bar)	3-60 PSIG (0.2 to 4.1 bar)
<b>Relieving</b>	1/4	R19-02-FA00B	R19-02-GA00B	R19-02-DA00B
	3/8	R19-03-FA00B	R19-03-GA00B	R19-03-DA00B
	1/2	R19-04-FA00B	R19-04-GA00B	R19-04-DA00B
<b>Non-relieving</b>	1/4	R19-02-RA00B	R19-02-SA00B	R19-02-WA00B
	3/8	R19-03-RA00B	R19-03-SA00B	R19-03-WA00B
	1/2	R19-04-RA00B	R19-04-SA00B	R19-04-WA00B

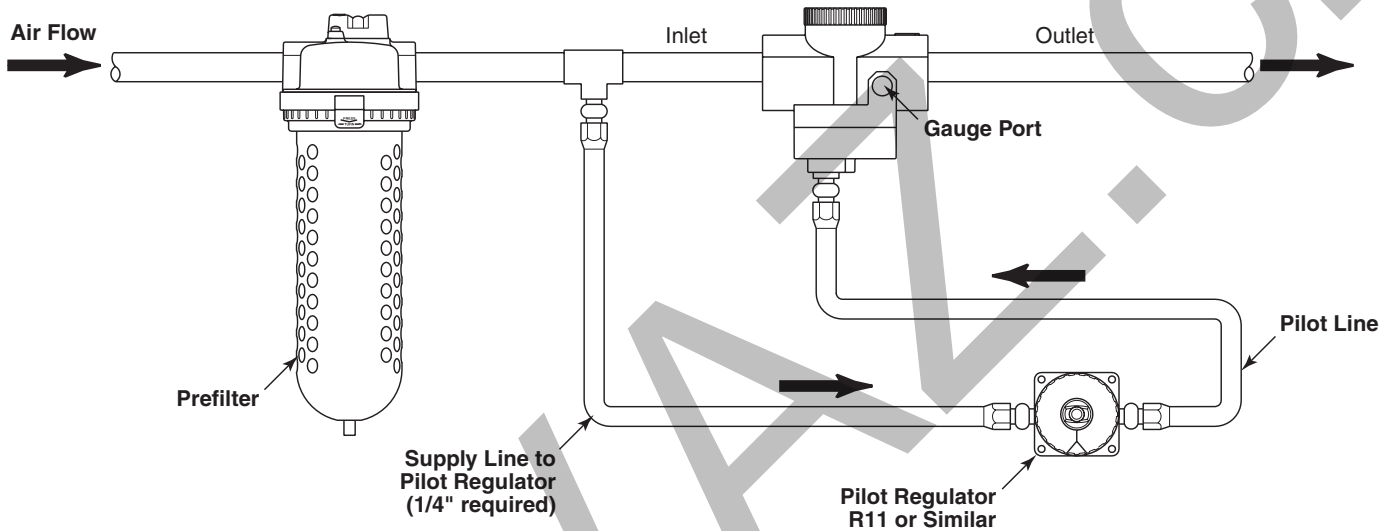
**Options** - To order an option supplied with the unit model, add the appropriate coded suffix letter in the designated position of the model number.

# Principal Regulator (Remote Operated) – R21 / 31 / 41-XX-RXX

## Remote-control Dial-Air™ Regulator

Incorporates all the features of the standard Dial-Air™ Regulator plus the additional advantage of remote installation using the R11 model Pilot Regulator. Maximum inlet operating pressure and temperature ratings are 300 PSIG (20.7 bar) and 150°F (65.5°C).

The Remote-control Dial-Air™ Regulators are available in five pipe sizes, with 1/4" NPT connections on the pilot regulator and pilot port of remote-controlled regulators. Typical installation is shown below. For other remote models, see R21, R31 & R41.

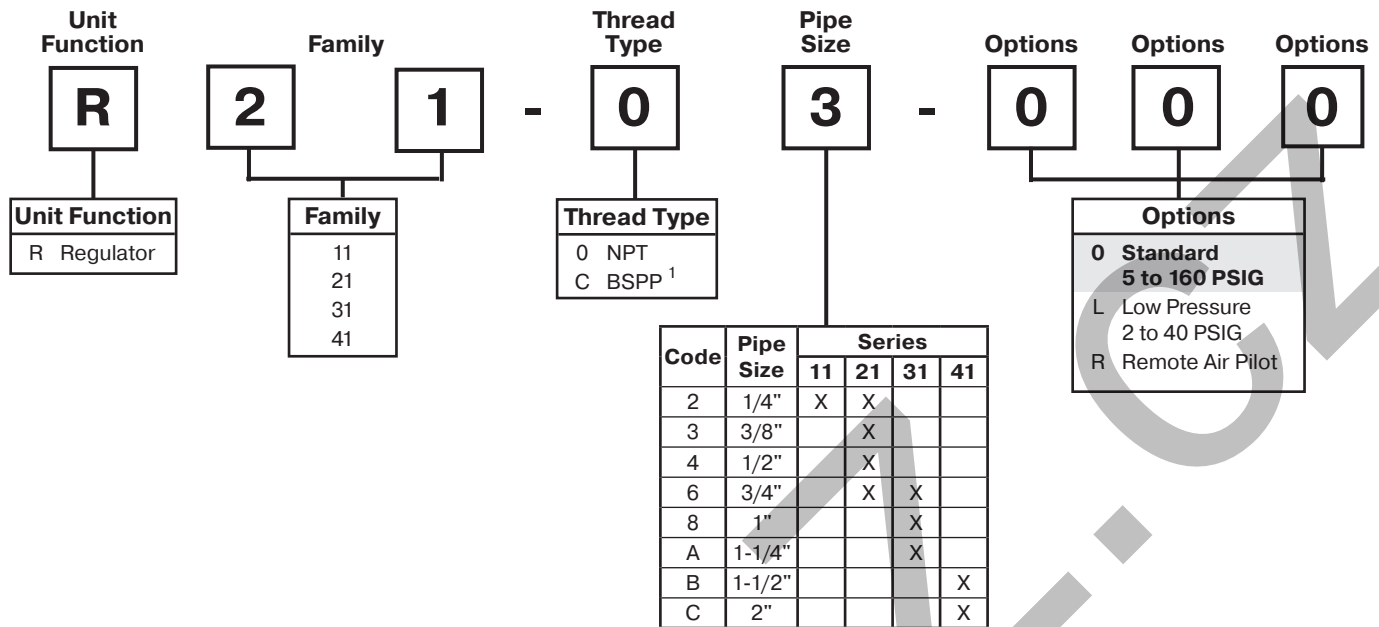


## Dial-Air™

Dial-Air™ regulators feature a transparent, pressure-calibrated, non-rising adjustment dial for quick adjustment of secondary pressure. If a gauge (R21, R31, R41) is required for monitoring reasons, two 1/4" gauge ports are provided; however, these are usually used for additional outlet ports. The full reduced pressure range can be dialed in less than 270° of dial rotation. This feature is particularly advantageous if secondary pressure must be changed frequently. The transparent dial can be color or graphics coded for easy reference to required pressure changes. Dial-Air™ regulators can be mounted in any position so dial face is always visible. All Dial-Air™ units have a slight constant air bleed: 0.05 SCFM (0.024 dm<sup>3</sup>/s), @100 PSIG (6.9 bar) inlet and 90 PSIG (6.2 bar) outlet.

# Dial-Air™ Regulator Numbering System

   = "Most Popular"



<sup>1</sup> ISO, R228 (G Series)

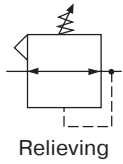
**NOTE:** Standard pressure adjustment is plastic "snap lock" knob and plastic bonnet with plastic panel mount nut.

**NOTE:** When selecting from the options columns, please enter letters in alphabetical order for positions 6, 7, and 8. For example:

**R21 - 03 - 000**

# Dial-Air™ Regulator R11

= "Most Popular"



**R11-02-000**

## Features

- Pressure Reference Indicating Dial Face
- Non-rising Pressure Adjustment Knob
- Self-Relieving
- Full Pressure Adjustment in Less Than One Full Turn
- Recommended for Pilot-Air Applications (Low Flow)

## Specifications

Flow Capacity*	1/4	0.8 SCFM (0.377 dm <sup>3</sup> /s)
Adjusting Range Pressure	0 to 40 PSIG (0 to 2.8 bar)	0 to 160 PSIG (0 to 11 bar)
Bleed Rate	0.05 SCFM (0.024 dm <sup>3</sup> /s)	
Maximum Supply Pressure	300 PSIG (20.7 bar)	
Operating Temperature	32° to 150°F (0° to 65.5°C)	
Port Size	NPT / BSPP-G	1/4
Weight	lb. (kg)	1.3 (0.5)

\* Inlet pressure 100 PSIG (6.9 bar). Secondary pressure 90 PSIG (6.2 bar).

## Materials of Construction

Body	Zinc
Bonnet	Zinc / Brass
Piston	Acetal
Seals	Nitrile
Springs	Steel
Valve Assembly	Brass / Nitrile / Acetal

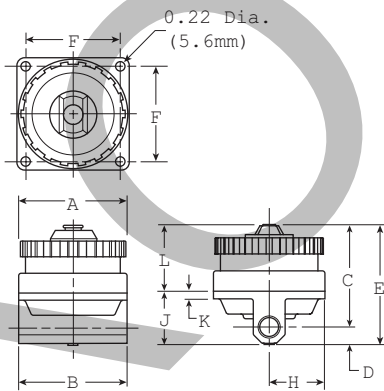
**⚠ WARNING**

**Product rupture can cause serious injury.  
Do not connect regulator to bottled gas.  
Do not exceed maximum primary pressure rating.**

## CAUTION:

**REGULATOR PRESSURE ADJUSTMENT** – The working range of knob adjustment is designed to permit outlet pressures within their full range. Pressure adjustment beyond this range is also possible because the knob is not a limiting device. This is a common characteristic of most industrial regulators, and limiting devices may be obtained only by special design.

For best performance, regulated pressure should always be set by increasing the pressure up to the desired setting.



**NOTE:** Panel mounting requires (2) 11/16" (69mm) diameter holes and (4) 7/32" (5.5mm) screw holes. Unit can be mounted on material up to 1-1/4" (32mm) thick.

## Dimensions

Model	Inches (mm)	A	B	C	D	E	F	H	J	K	L
Standard Unit R11-02-000		2.60 (66)	2.60 (66)	2.40 (60.9)	.40 (10)	2.80 (71)	2.20 (55.9)	1.30 (33)	1.25 (31.8)	.18 (4.6)	1.56 (39.6)

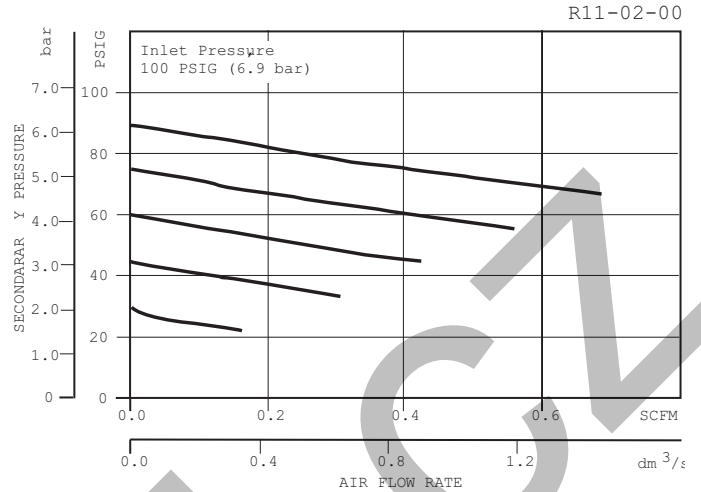
= "Most Popular"

**Replacement Kits**

- Conversion Kit (Series A to Series B) ..... RRP-95-765
- O-ring, Repair Kit ..... GRP-95-260
- Spring, Regulating, Belleville Washer –  
 2 to 40 PSIG (0.1 to 3 bar) ..... RRP-95-906
- 5 to 160 PSIG (0.4 to 11 bar)..... RRP-95-905
- Valve, Pilot with O-ring and Valve Spring ..... RRP-96-934

**Accessories**

- Tamper Resistant Kit..... RRP-95-585



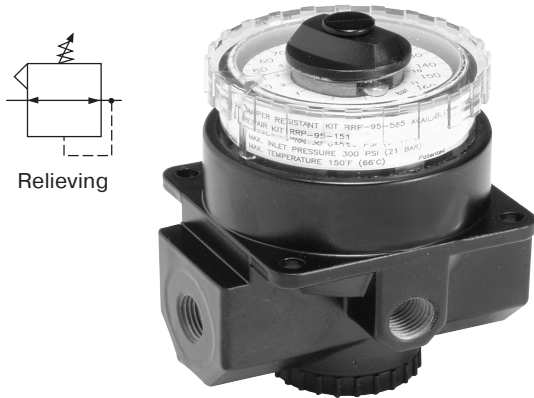
**Ordering Information**

Model Type	Port Size	Standard Pressure 5 to 160 PSIG (0.4 to 11 bar)	Low Pressure 2 to 40 PSIG (0.1 to 3 bar)
<b>Pilot</b>	1/4	R11-02-000	R11-02-L00

Options - To order an option supplied with the unit model, add the appropriate coded suffix letter in the designated position of the model number.

# Dial-Air™ Regulator R21

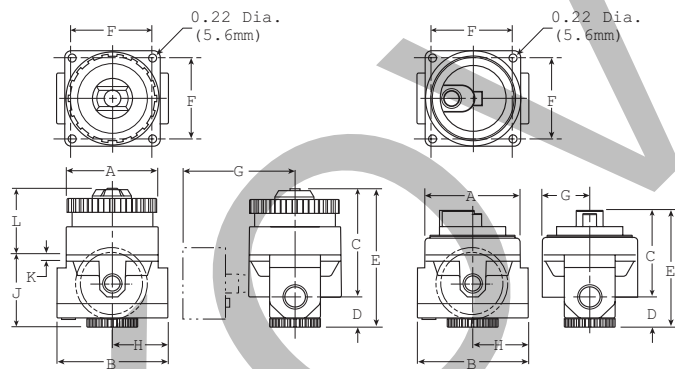
   = "Most Popular"



**R21-02-000**

## Features

- Balanced Valve Design
- Non-Rising Pressure Adjusting Dial
- High-Relief Flow (3/16" Relief Orifice)
- Two 1/4" NPT Gauge Ports, Usually Used for Additional Outlets
- Piston Operated



Remote Operated

**NOTE:** Panel mounting requires (2) 11/16" (69mm) diameter holes and (4) 7/32" (5.5mm) screw holes. Unit can be mounted on material up to 1-1/4" (32mm) thick.

## Dimensions

Models	Inches (mm)	A	B	C	D	E	F	G	H	J	K	L
Standard Unit R21-XX-000		2.60 (66)	3.19 (81)	3.14 (79.8)	.95 (24)	4.09 (104)	2.20 (55.9)	—	1.61 (41)	2.08 (52.8)	.18 (4.6)	2.07 (52.6)
With Gauge (order separately) R21-XX-XXX		2.60 (66)	3.19 (81)	3.14 (79.8)	.95 (24)	4.09 (104)	2.20 (55.9)	2.70 (68.5)	1.61 (41)	2.08 (52.8)	.18 (4.6)	2.07 (52.6)
Remote Operated R21-XX-R00		2.60 (66)	3.19 (81)	2.24 (56.9)	.95 (24)	3.19 (81)	2.20 (55.9)	1.33 (33.8)	1.61 (41)	2.08 (52.8)	.18 (4.6)	1.11 (28.2)

## Specifications

Flow Capacity*	1/4	117 SCFM (55 dm <sup>3</sup> /s)
	3/8	180 SCFM (85 dm <sup>3</sup> /s)
	1/2	195 SCFM (92 dm <sup>3</sup> /s)
	3/4	220 SCFM (103 dm <sup>3</sup> /s)
Adjusting Range Pressure	0 to 40 PSIG (0 to 2.8 bar) 0 to 160 PSIG (0 to 11 bar)	
Bleed Rate	0.05 SCFM (0.024 dm <sup>3</sup> /s)	
Gauge Port (2 ea.)	NPT / BSPT-Rc	1/4
Maximum Supply Pressure	300 PSIG (20.7 bar)	
Operating Temperature	32° to 150°F (0° to 65.5°C)	
Port Size	NPT / BSPP-G	1/4, 3/8, 1/2, 3/4
Remote Pilot Port Size	1/4	
Weight	lb. (kg)	2.3 (1.04)

\* Inlet pressure 100 PSIG (6.9 bar). Secondary pressure (1/4, 1/2 & 3/4) 90 PSIG (6.2 bar); (3/8) 80 PSIG (5.5 bar).

## Materials of Construction

Body	Zinc
Bonnet	Zinc / Brass
Piston	Acetal
Seals	Nitrile
Springs	Steel
Valve Assembly	Brass / Nitrile / Acetal

### WARNING

**Product rupture can cause serious injury.  
Do not connect regulator to bottled gas.  
Do not exceed maximum primary pressure rating.**

### CAUTION:

**REGULATOR PRESSURE ADJUSTMENT** – The working range of knob adjustment is designed to permit outlet pressures within their full range. Pressure adjustment beyond this range is also possible because the knob is not a limiting device. This is a common characteristic of most industrial regulators, and limiting devices may be obtained only by special design.

For best performance, regulated pressure should always be set by increasing the pressure up to the desired setting.

= "Most Popular"

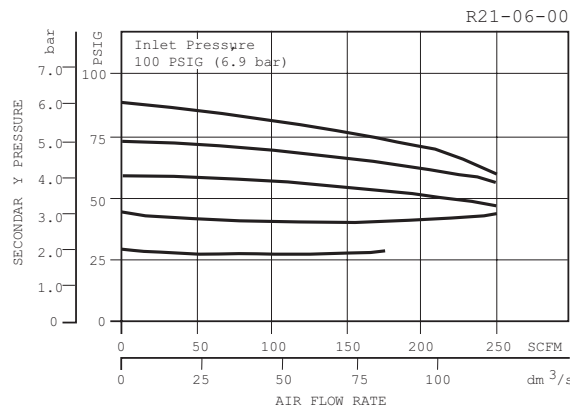
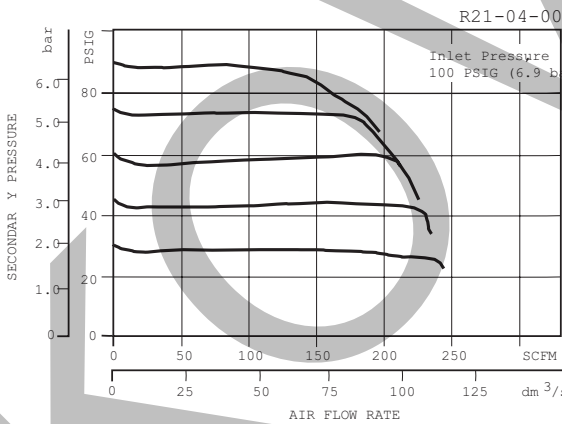
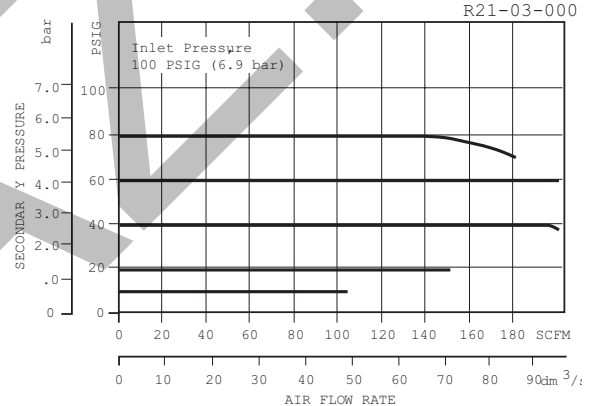
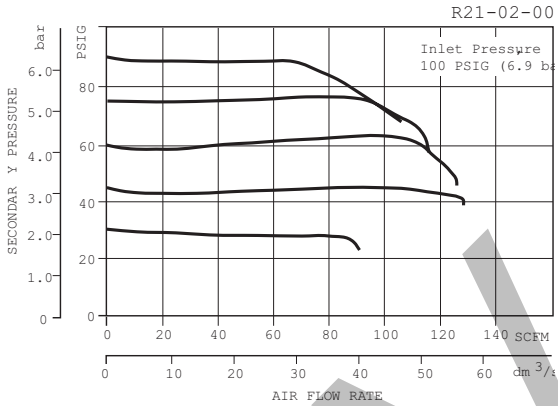
### Replacement Kits

- Adjustment Dial Knob ..... RRP-16-024-000
- Conversion Kit (Series A to Series B) ..... RRP-95-766
- Cover Kit (Remote) –
  - Bonnet and Nitrile, O-ring (Series B)..... RRP-95-910
  - Bonnet and Fluorocarbon, O-ring (Series B) ..... RRP-95-911
- O-ring, Repair Kit ..... GRP-95-260
- Piston, Bottom and O-ring Seal ..... RRP-95-192
- Spring, Regulating, Belleville Washer –
  - 2 to 40 PSIG (0.1 to 3 bar) ..... RRP-95-906
  - 5 to 160 PSIG (0.4 to 11 bar)..... RRP-95-905
- Valve, Main with U-cup Seal ..... RRP-95-151
- Valve, Main with U-cup Seal and Bottom Plug –
  - Nitrile Elastomers..... RRP-95-914
  - Fluorocarbon Elastomers..... RRP-95-915
- Valve, Main (Remote) with U-cup Seal..... RRP-96-952

- Valve, Main (Remote) with U-cup Seal and Bottom Plug –
  - Nitrile Elastomers)..... RRP-95-912
  - Fluorocarbon Elastomers..... RRP-95-913
- Valve, Pilot with O-ring and Valve Spring ..... RRP-96-934

### Accessories

- Wall Mounting Bracket, Gauge Port Adapter,
  - 1/4" NPT ..... RRP-95-590
- Gauge, Pressure –
  - 0 to 60 PSIG (0 to 4 bar), 2" Dial Face,
    - 1/4" NPT, CBM ..... K4520N14060
    - 0 to 160 PSIG (0 to 11 bar), 2" Dial Face,
      - 1/4" NPT, CBM ..... K4520N14160
    - 0 to 160 PSIG, 1-3/4" Digital Round,
      - 1/4" NPT ..... K4517N14160D
- Tamper Resistant Kit..... RRP-95-585



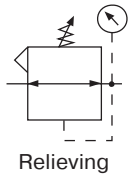
### Ordering Information

Model Type	Port Size	High Flow 5 to 160 PSIG (0.4 to 11 bar)	Low Pressure 2 to 40 PSIG (0.1 to 3 bar)	Remote 5 to 160 PSIG (0.4 to 11 bar)
Relieving	1/4	R21-02-000	R21-02-L00	R21-02-R00
	3/8	R21-03-000	R21-03-L00	R21-03-R00
	1/2	R21-04-000	R21-04-L00	R21-04-R00
	3/4	R21-06-000	R21-06-L00	R21-06-R00

Options - To order an option supplied with the unit model, add the appropriate coded suffix letter in the designated position of the model number.

# Dial-Air™ Regulator R31

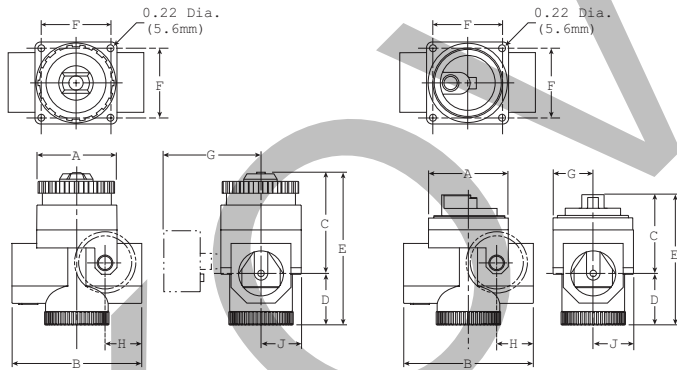
= "Most Popular"



**R31-06-000**

## Features

- Balanced Valve Design
- Non-Rising Pressure Adjusting Dial
- High-Relief Flow (3/16" Relief Orifice)
- Two 1/4" NPT / BSPT-Rc Gauge Ports, Usually Used for Additional Outlets
- Piston Operated



**Remote Operated**

**NOTE:** Panel mounting requires (2) 11/16" (69mm) diameter holes and (4) 7/32" (5.5mm) screw holes. Unit can be mounted on material up to 1-1/4" (32mm) thick.

## Dimensions

Models	Inches (mm)	A	B	C	D	E	F	G	H	J
Standard Unit R31-XX-000		2.59 (66)	4.29 (109)	3.50 (88.9)	1.69 (43)	5.19 (132)	2.20 (55.9)	—	1.23 (31.2)	1.31 (33.3)
With Gauge (order separately) R31-XX-XXX		2.59 (66)	4.29 (109)	3.50 (88.9)	1.69 (43)	5.19 (132)	2.20 (55.9)	3.00 (76)	1.23 (31.2)	1.31 (33.3)
Remote Operated R31-XX-R00		2.59 (66)	4.29 (109)	2.63 (66.8)	1.69 (43)	4.32 (109.7)	2.20 (55.9)	1.33 (33.7)	1.23 (31.2)	1.31 (33.3)

## Specifications

Flow Capacity*	3/4	400 SCFM (189 dm <sup>3</sup> /s)
	1	650 SCFM (307 dm <sup>3</sup> /s)
	1-1/4	700 SCFM (330 dm <sup>3</sup> /s)
Adjusting Range Pressure	0 to 40 PSIG (0 to 2.7 bar) 0 to 160 PSIG (0 to 11 bar)	
Bleed Rate	0.05 SCFM (0.024 dm <sup>3</sup> /s)	
Gauge Port (2 ea.)	NPT / BSPT-Rc	1/4
Maximum Supply Pressure	300 PSIG (20.7 bar)	
Operating Temperature	32° to 150°F (0° to 65.5°C)	
Port Size	NPT / BSPP-G	3/4, 1, 1-1/4
Remote Pilot Port Size	1/4	
Weight	lb. (kg)	4.0 (1.8)

\* Inlet pressure 100 PSIG (6.9 bar). Secondary pressure 80 PSIG (5.5 bar).

## Materials of Construction

Body	Zinc
Bonnet	Zinc / Brass
Piston	Acetal
Seals	Nitrile
Springs	Steel
Valve Assembly	Brass / Nitrile / Acetal

### WARNING

**Product rupture can cause serious injury.  
Do not connect regulator to bottled gas.  
Do not exceed maximum primary pressure rating.**

### CAUTION:

**REGULATOR PRESSURE ADJUSTMENT** – The working range of knob adjustment is designed to permit outlet pressures within their full range. Pressure adjustment beyond this range is also possible because the knob is not a limiting device. This is a common characteristic of most industrial regulators, and limiting devices may be obtained only by special design.

For best performance, regulated pressure should always be set by increasing the pressure up to the desired setting.



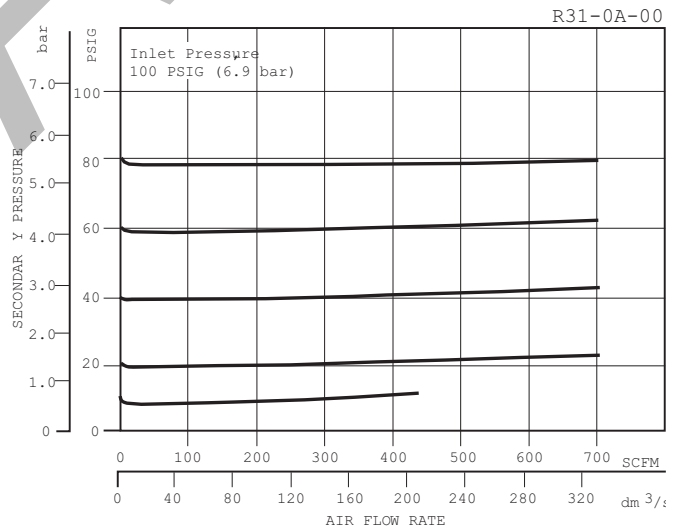
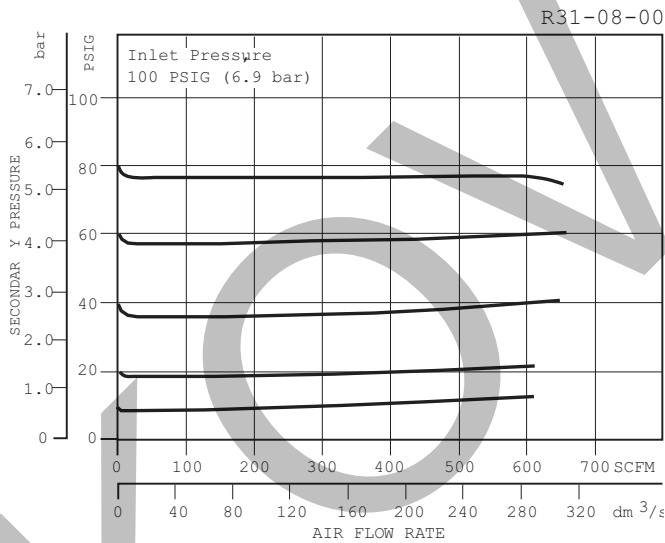
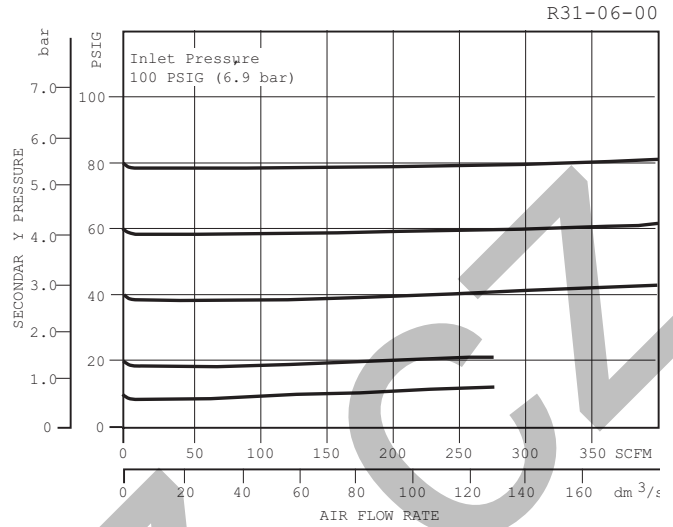
 = "Most Popular"

### Replacement Kits

- Adjustment Dial Knob ..... RRP-16-024-000
- Conversion Kit (Series A to Series B) ..... RRP-95-766
- O-ring, Repair Kit ..... GRP-95-261
- Piston, Bottom and O-ring seal.....RRP-95-192
- Spring, Regulating, Belleville Washer –  
 2 to 40 PSIG (0.1 to 3 bar) ..... RRP-95-906  
 5 to 160 PSIG (0.4 to 11 bar)..... RRP-95-905
- Valve, Main with O-ring Seal.....RRP-95-152
- Valve, Main (Remote) with O-ring Seal ..... RRP-96-950
- Valve, Pilot with O-ring and Valve Spring ..... RRP-96-935

### Accessories

- Gauge, Pressure –  
 0 to 60 PSIG (0 to 4 bar), 2" Dial Face,  
 1/4" NPT, CBM .....K4520N14060
- 0 to 160 PSIG (0 to 11 bar), 2" Dial Face,  
 1/4" NPT, CBM ..... K4520N14160
- 0 to 160 PSIG, 1-3/4" Digital Round,  
 1/4" NPT ..... K4517N14160D
- Tamper Resistant Kit..... RRP-95-585
- Wall Mounting Bracket, Gauge Port Adapter,  
 1/4" NPT ..... RRP-95-590



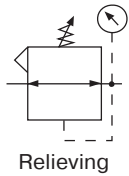
### Ordering Information

Model Type	Port Size	High Flow 5 to 160 PSIG (0.4 to 11 bar)	Low Pressure 2 to 40 PSIG (0.1 to 3 bar)	Remote 5 to 160 PSIG (0.4 to 11 bar)
Relieving	3/4	R31-06-000	R31-06-L00	R31-06-R00
	1	R31-08-000	R31-08-L00	R31-08-R00
	1-1/4	R31-0A-000	R31-0A-L00	R31-0A-R00

Options - To order an option supplied with the unit model, add the appropriate coded suffix letter in the designated position of the model number.

# Dial-Air™ Regulator R41

= "Most Popular"



**R41-0B-000**

## Features

- Balanced Valve Design
- Non-Rising Pressure Adjusting Dial
- High-Relief Flow (3/16" Relief Orifice)
- Two 1/4" NPT / BSPT-Rc Gauge Ports, Usually Used for Additional Outlets
- Piston Operated

## Specifications

Flow Capacity*	1-1/2, 2	1600 SCFM (755 dm <sup>3</sup> /s)
Adjusting Range Pressure	0 to 160 PSIG (0 to 11 bar)	
Bleed Rate	0.05 SCFM (0,024 dm <sup>3</sup> /s)	
Maximum Supply Pressure	300 PSIG (20.7 bar)	
Operating Temperature	32° to 150°F (0° to 65.5°C)	
Port Size	NPT / BSPP-G	1-1/2, 2
Remote Pilot Port Size	1/4	
Gauge Port (2 ea.)	NPT / BSPT-Rc	1/4
Weight	lb. (kg)	9 (4.1)

\* Inlet pressure 100 PSIG (6.9 bar). Secondary pressure 80 PSIG (5.5 bar).

## Materials of Construction

Body	Zinc
Bonnet	Zinc / Brass
Piston	Zinc
Seals	Nitrile
Springs	Steel
Valve Assembly	Brass / Nitrile / Acetal

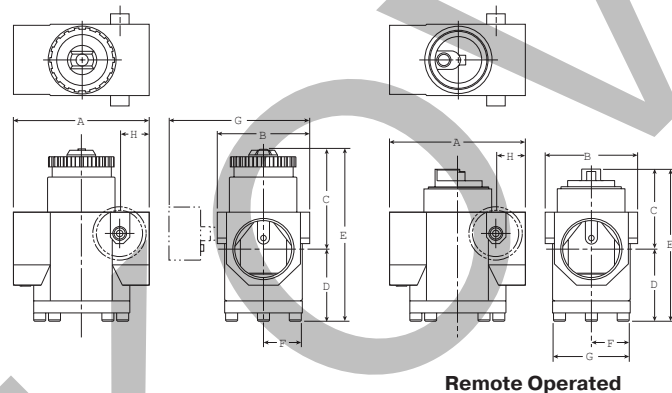
**⚠ WARNING**

**Product rupture can cause serious injury.  
Do not connect regulator to bottled gas.  
Do not exceed maximum primary pressure rating.**

## CAUTION:

**REGULATOR PRESSURE ADJUSTMENT** – The working range of knob adjustment is designed to permit outlet pressures within their full range. Pressure adjustment beyond this range is also possible because the knob is not a limiting device. This is a common characteristic of most industrial regulators, and limiting devices may be obtained only by special design.

For best performance, regulated pressure should always be set by increasing the pressure up to the desired setting.



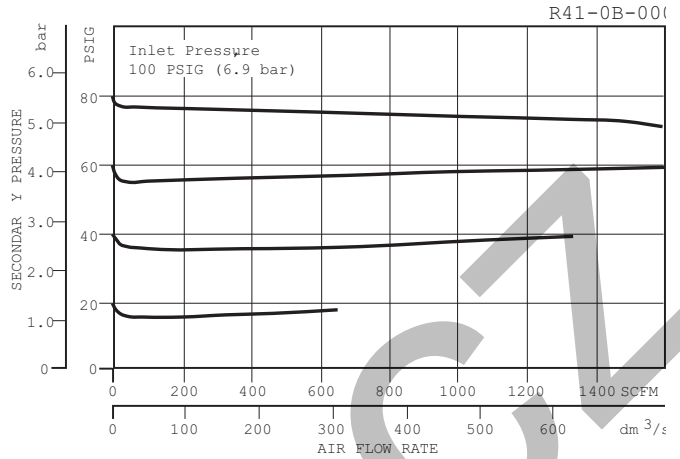
## Dimensions

Models	Inches (mm)	A	B	C	D	E	F	G	H
Standard Unit R41-XX-000		5.31 (135)	3.58 (91)	4.02 (102)	2.79 (71)	6.81 (173)	1.79 (45.7)	— —	1.15 (29.2)
With Gauge (order separately) R41-XX-XXX		5.31 (135)	3.58 (91)	4.02 (102)	2.79 (71)	6.81 (173)	1.79 (45.7)	5.29 (134.6)	1.15 (29.2)
Remote Operated R41-XX-R00		5.31 (135)	3.58 (91)	3.11 (78.9)	2.79 (71)	5.90 (149.8)	1.50 (38)	3.00 (76)	1.15 (29.2)

= "Most Popular"

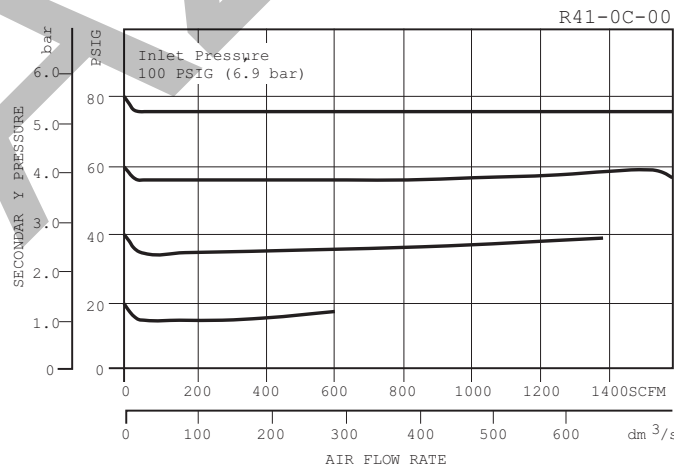
### Replacement Kits

- Adjustment Dial Knob ..... RRP-16-024-000
- Conversion Kit (Series A to Series B) ..... RRP-95-766
- O-ring, Repair Kit ..... GRP-95-262
- Piston, Bottom and O-ring Seal ..... RRP-95-192
- Spring, Regulating, Belleville Washer –  
 2 to 40 PSIG (0.1 to 3 bar) ..... RRP-95-906  
 5 to 160 PSIG (0.4 to 11 bar) ..... RRP-95-905
- Spring, Valve ..... RRP-95-024
- Valve –  
 Main with O-ring Seal ..... RRP-95-153  
 Main (Remote) with O-ring Seal ..... RRP-96-951  
 Pilot with O-ring and Valve Spring ..... RRP-96-935



### Accessories

- Gauge, Pressure –  
 0 to 60 PSIG (0 to 4 bar), 2" Dial Face,  
 1/4" NPT, CBM ..... K4520N14060
- 0 to 160 PSIG (0 to 11 bar), 2" Dial Face,  
 1/4" NPT, CBM ..... K4520N14160
- 0 to 160 PSIG, 1-3/4" Digital Round,  
 1/4" NPT ..... K4517N14160D
- Tamper Resistant Kit ..... RRP-95-585
- Wall Mounting Bracket, Gauge Port Adapter,  
 1/4" NPT ..... RRP-95-590



### Ordering Information

Model Type	Port Size	High Flow 5 to 160 PSIG (0.4 to 11 bar)	Low Pressure 2 to 40 PSIG (0.1 to 3 bar)	Remote 5 to 160 PSIG (0.4 to 11 bar)
Relieving	1-1/2	R41-0B-000	R41-0B-L00	R41-0B-R00
	2	R41-0C-000	R41-0C-L00	R41-0C-R00

Options - To order an option supplied with the unit model, add the appropriate coded suffix letter in the designated position of the model number.