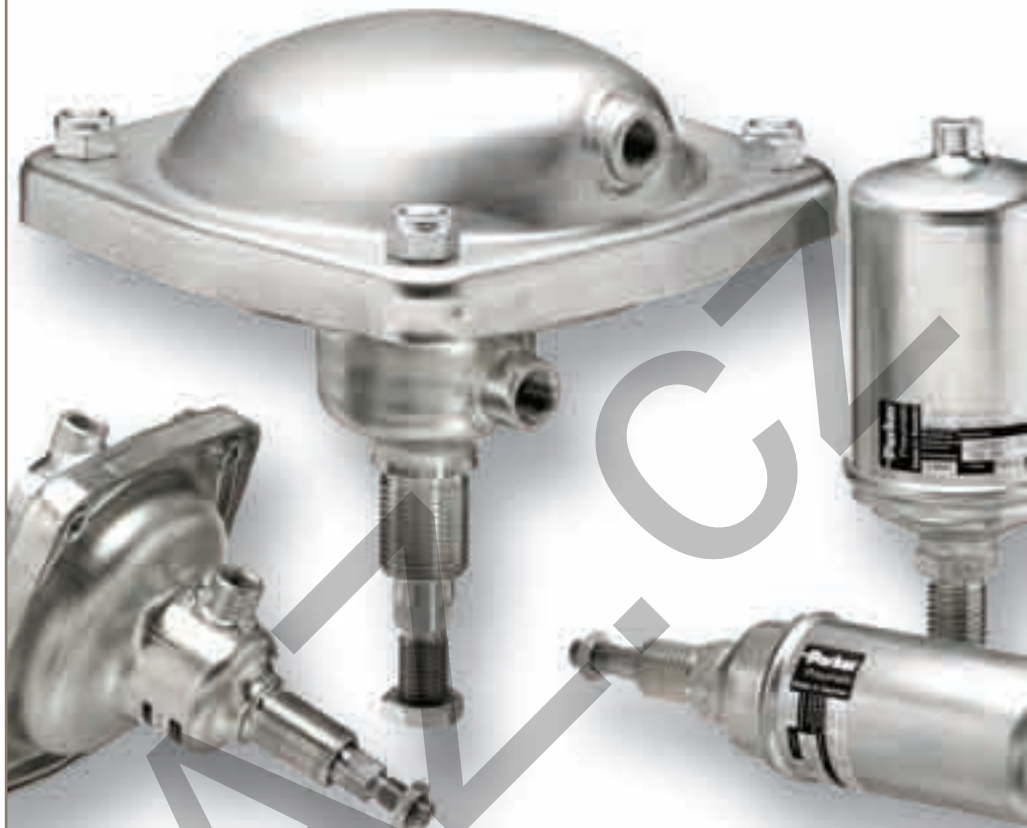




aerospace  
climate control  
electromechanical  
filtration  
fluid & gas handling  
hydraulics  
**pneumatics**  
process control  
sealing & shielding



# Thrust Cylinders


Series C0D and C0P




ENGINEERING YOUR SUCCESS.

Features	Air cylinder	Hydraulic cylinder	Electro mechanical actuators
Overload safe	***	***	*
Easy to limit force	***	***	*
Easy to vary speed	***	***	*
Speed	***	**	**
Reliability	***	***	***
Robustness	***	***	*
Installation cost	***	*	**
Ease of service	***	**	*
Safety in damp environments	***	***	*
Safety in explosive atmospheres	***	***	*
Safety risk with electrical installations	***	***	*
Risk of oil leak	***	*	***
Clean, hygienic	***	**	*
Standardised measurements	***	***	*
Service life	***	***	*
Hydraulic system required	***	*	***
Weight	***	**	**
Purchase price	***	**	*
Power density	**	***	*
Noise level during operation	**	***	**
High force for size	**	***	*
Positioning possibilities	*	***	***
Total energy consumption	*	**	***
Service interval	*	**	***
Compressor capacity required	*	***	***


\* = good, \*\*=average, \*\*\*=excellent



**Important**  
 Before attempting any external or internal work on the cylinder or any connected components, make sure the cylinder is vented and disconnect the air supply in order to ensure isolation of the air supply.



**Note**  
 All technical data in this catalogue are typical data only.  
 Air quality is essential for maximum cylinder service life (see ISO 8573).



**WARNING**

**FAILURE OR IMPROPER SELECTION OR IMPROPER USE OF THE PRODUCTS AND/OR SYSTEMS DESCRIBED HEREIN OR RELATED ITEMS CAN CAUSE DEATH, PERSONAL INJURY AND PROPERTY DAMAGE.**

This document and other information from Parker Hannifin Corporation, its subsidiaries and authorized distributors provide product and/or system options for further investigation by users having technical expertise. It is important that you analyze all aspects of your application and review the information concerning the product or system in the current product catalog. Due to the variety of operating conditions and applications for these products or systems, the user, through its own analysis and testing, is solely responsible for making the final selection of the products and systems and assuring that all performance, safety and warning requirements of the application are met. The products described herein, including without limitation, product features, specifications, designs, availability and pricing, are subject to change by Parker Hannifin Corporation and its subsidiaries at any time without notice.

**SALE CONDITIONS**

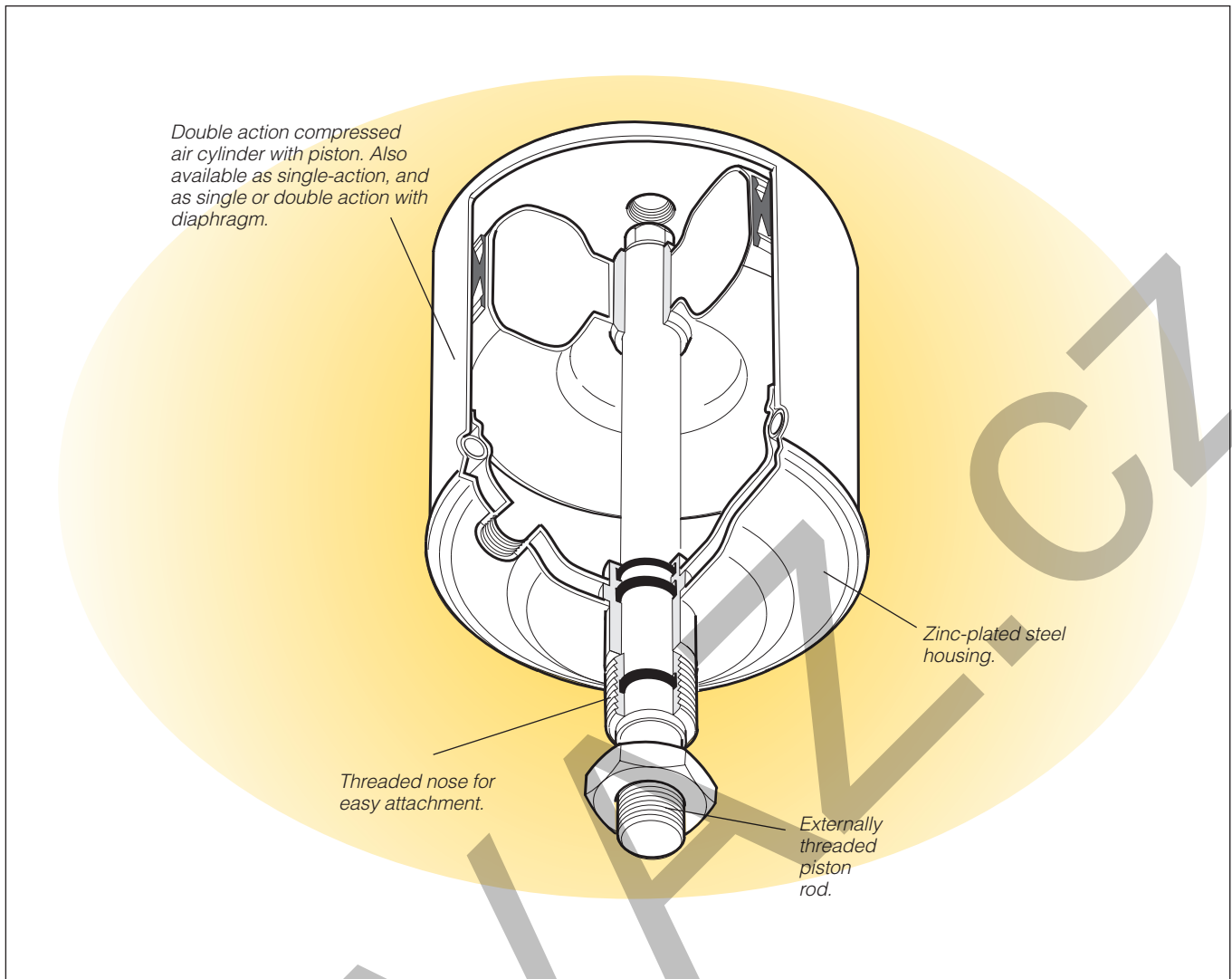
The items described in this document are available for sale by Parker Hannifin Corporation, its subsidiaries or its authorized distributors. Any sale contract entered into by Parker will be governed by the provisions stated in Parker's standard terms and conditions of sale (copy available upon request).

**Contents**

	<b>Page</b>
COD and COP Thrust cylinders .....	4
Main data.....	5
Material specification .....	5
Working medium, air quality .....	5
Order key, Diaphragm type .....	6
Order key, Piston type .....	6
Ordering data for COD and COP thrust cylinders .....	7
Dimensions: piston and diaphragm type .....	8
Neck mounting nut and piston rod nut.....	9
Seal kits and grease for COD and COP.....	9
Press stand for thrust cylinders.....	10
Dimensions, press stand.....	11

KONVIA

COM



**COD and COP  
Thrust cylinders**

The thrust cylinders are linear actuators, designed for a high force to size ratio. This makes the cylinder ideal to use for clamping, riveting, punching and similar applications where a high force is required.

The range includes 14 different versions, providing forces from 1600 to 25 000 N (at 6 bar), single- as well as double-acting and in piston or diaphragm design.

The single-acting version has a built in powerful spring for the return stroke, but for applications where a high force is required in both directions there is the double-acting version.

The cylinder body is an all zinc plated sheet of steel and the piston rod, which is guided in two maintenance free bearings, is provided with flats and a male thread.

To facilitate the installation, the guiding sleeve is provided with a thread which can be used either for direct mounting in a threaded hole or for installation in a free running hole using a lock nut.

## Main data

Thrust cylinder	Force <sup>1)</sup> at	Stroke <sup>2)</sup>	Spring force		Weight	Displacement <sup>3)</sup>		Port thread
	600 kPa (6 bar)		Max	Min		plus	minus	
	N	mm	N	N	Kgs	dm <sup>3</sup>	dm <sup>3</sup>	
<b>Double acting</b>								
<b>COD300-40</b>	3000	40	-	-	2,6	0,50	0,42	G1/4
<b>COD600-50</b>	6000	50	-	-	5,4	1,05	0,92	G1/4
<b>COD1200-50</b>	12000	50	-	-	11,4	1,96	1,90	G1/2
<b>COP2500-60</b>	25000	60	-	-	21,4	3,50	3,40	G1/2
<b>COP2500-80</b>	25000	80	-	-	21,6	4,40	4,30	G1/2
<b>Single acting</b>								
<b>COP160-50S</b>	1600	50	314	128	1,0	0,12	-	G1/4
<b>COP160-80S</b>	1600	80	314	128	1,0	0,20	-	G1/4
<b>COP300-50S</b>	3000	50	314	128	1,5	0,30	-	G1/4
<b>COP300-80S</b>	3000	80	314	128	1,5	0,50	-	G1/4
<b>COD300-40S</b>	3000	40	294	98	2,8	0,50	-	G1/4
<b>COD600-50S</b>	6000	50	638	98	5,6	1,05	-	G1/4
<b>COD1200-50S</b>	12000	50	981	235	12,2	1,96	-	G1/2
<b>COP2500-60S</b>	25000	60	2700	883	22,0	3,50	-	G1/2
<b>COP2500-100S</b>	25000	100	2700	883	22,2	5,40	-	G1/2

1) In the case of single-acting thrust cylinders, spring force must be considered in calculation of performance.

2) Tolerance ±3 mm (COP2500 +6/-1)

3) The displacement relates to plus and minus chambers and includes dead volume.

## Additional data

Working pressure Max 8 bar  
Working temperature -20 °C to +70 °C

Prelubricated, further lubrication is not normally necessary. If additional lubrication is introduced it has to be continued.

## Material specification

Cylinder housing Zinc plated steel  
Piston Steel  
Piston rod Steel  
Piston rod nut Steel  
Diaphragm, COD Textile reinforced nitrile rubber, NBR  
Seals Nitrile rubber, NBR  
Piston rod bearings Lubricant filled thermoplastic  
Return spring Spring steel

## Working medium, air quality

Working medium Dry, filtered compressed air to ISO 8573-1 class 3.4.3.

## Recommended air quality for cylinders

For best possible service life and trouble-free operation, ISO 8573-1 quality class 3.4.3 should be used. This means 5 µm filter (standard filter) dew point +3 °C for indoor operation (a lower dew point should be selected for outdoor operation) and oil concentration 1.0 mg oil/m<sup>3</sup>, which is what a standard compressor with a standard filter gives.

## ISO 8573-1 quality classes

Quality class	Pollution		Water max. press. dew point (°C)	Oil max concentration (mg/m <sup>3</sup> )
	particle size (µm)	max concentration (mg/m <sup>3</sup> )		
<b>1</b>	0,1	0,1	-70	0,01
<b>2</b>	1	1	-40	0,1
<b>3</b>	5	5	-20	1,0
<b>4</b>	15	8	+3	5,0
<b>5</b>	40	10	+7	25
<b>6</b>	-	-	+10	-

### NOTE!

Compressed air cylinders, types COP and COD should not be used in vertical applications without an external stop.

Order key, Diaphragm type

**COD300 - 50 S**

Cylinder version	Cylinder force in N	Stroke Length, mm	Single acting
<b>D</b> Diaphragm	<b>300</b> 3000		
	<b>600</b> 6000		
	<b>1200</b> 12000		

Order key, Piston type

**COP300 - 50 S**

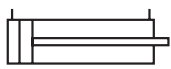
Cylinder version	Cylinder force in N	Stroke Length, mm	Single acting
<b>P</b> Piston	<b>160</b> 1600		
	<b>300</b> 3000		
	<b>2500</b> 25000		




C0D

C0P

**Main data for C0D and C0P thrust cylinders**

Symbol	Force at 6 bar N	Conn.	Stroke mm	Weight Kg	Order code
	3000	G1/4	40	2,7	<b>C0D300-40</b>
	6000	G1/4	50	5,7	<b>C0D600-50</b>
	12000	G1/2	50	11,5	<b>C0D1200-50</b>
	25000	G1/2	60	21,4	<b>C0P2500-60</b>
	25000	G1/2	80	21,6	<b>C0P2500-80</b>

Symbol	Force at 6 bar N	Spring force Max N Min N		Conn.	Stroke mm	Weight Kg	Order code
	1600	314	128	G1/4	50	0,9	<b>C0P160-50S</b>
	1600	314	128	G1/4	80	1,1	<b>C0P160-80S</b>
	3000	314	128	G1/4	50	1,2	<b>C0P300-50S</b>
	3000	314	128	G1/4	80	1,4	<b>C0P300-80S</b>
	3000	294	98	G1/4	40	2,8	<b>C0D300-40S</b>
	6000	638	98	G1/4	50	5,9	<b>C0D600-50S</b>
	12000	981	235	G1/2	50	12,4	<b>C0D1200-50S</b>
	25000	2700	883	G1/2	60	22,0	<b>C0P2500-60S</b>
	25000	2700	883	G1/2	100	22,4	<b>C0P2500-100S</b>

Thrust cylinders are supplied complete with piston rod nut.

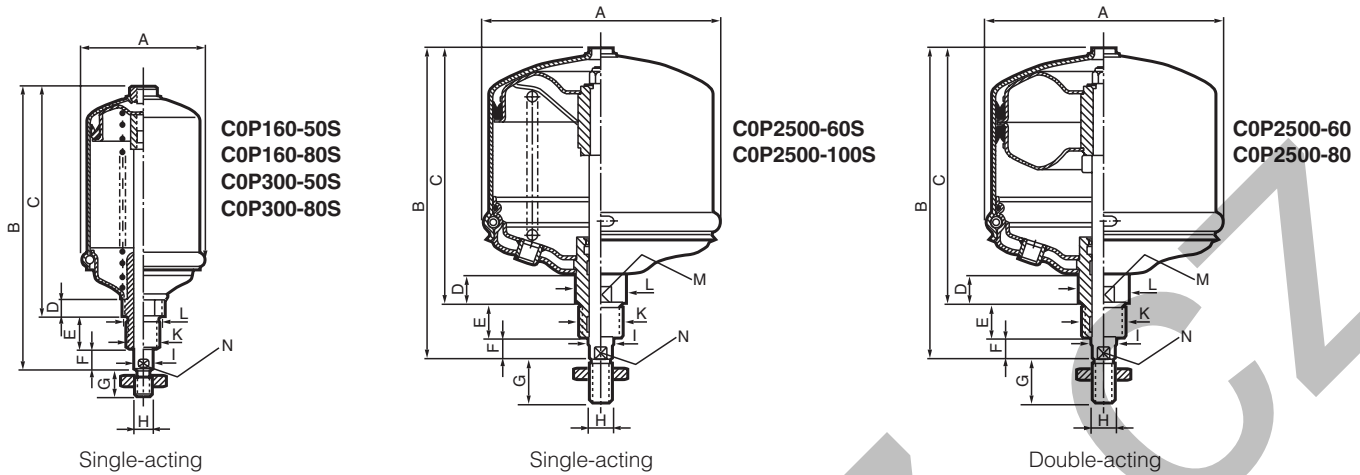
The spring forces in single acting cylinders are sufficient to return the piston rod without load.



## Dimensions: piston type

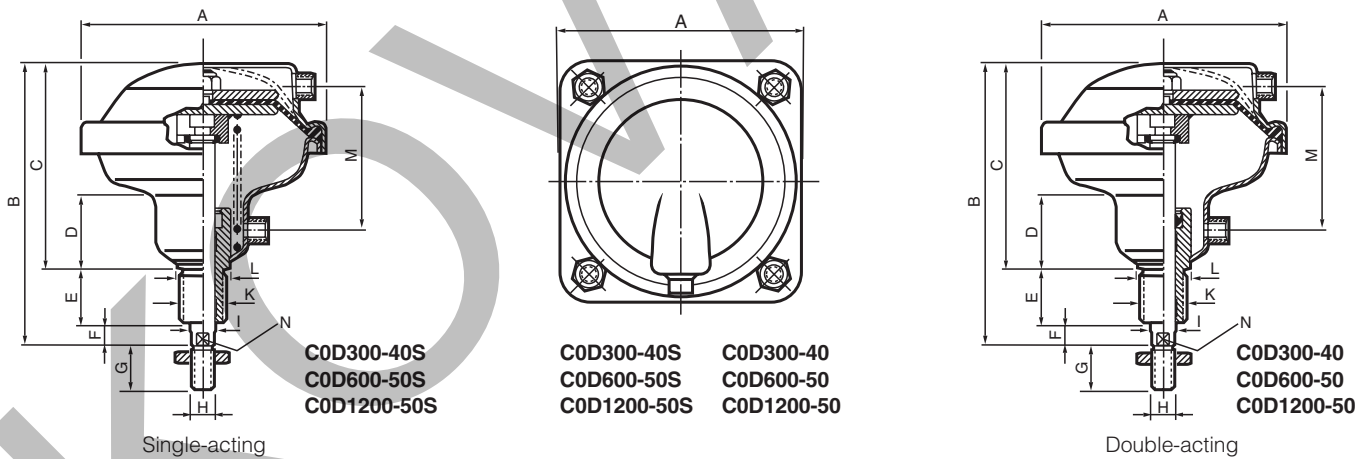
### CAD drawings on the Internet

Our home page [www.parker.com/euro\\_pneumatic](http://www.parker.com/euro_pneumatic) includes the AirCad Drawing Library with 2D drawings for the main versions.



Type	Connection thread	A	B	C	D	E	F	G	H	I Ø	K	L Ø	M	N
COP160-50S	G1/4	66	192	151	18	30	11	24	M12x1,75	14	M24x3	30	30	12
COP160-80S	G1/4	66	222	181	18	30	11	24	M12x1,75	14	M24x3	30	30	12
COP300-50S	G1/4	93	192	151	18	30	11	24	M12x1,75	14	M24x3	30	30	12
COP300-80S	G1/4	93	222	181	18	30	11	24	M12x1,75	14	M24x3	30	30	12
COP2500-60S	G1/2	268	345	285	33	40	20	48	M24x3	28	M48x3	56	50	25
COP2500-100S	G1/2	268	385	325	33	40	20	48	M24x3	28	M48x3	56	50	25
COP2500-60	G1/2	268	345	285	33	40	20	48	M24x3	28	M48x3	56	50	25
COP2500-80	G1/2	268	385	325	33	40	20	48	M24x3	28	M48x3	56	50	25

## Dimensions: diaphragm type



Type	Connection thread	A	B	C	D	E	F	G	H	I Ø	K	L Ø	M	N
COD300-40S	G1/4	150	183	131	48	38	14	24	M12x1,75	16	M24x2	30	90	13
COD300-40	G1/4	150	183	131	48	38	14	24	M12x1,75	16	M24x2	30	90	13
COD600-50S	G1/4	195	212	154	55	38	20	32	M16x2	20	M36x3	43	107	17
COD600-50	G1/4	195	212	154	55	38	20	32	M16x2	20	M36x3	43	107	17
COD1200-50S	G1/2	261	243	178	58	45	20	40	M20x2,5	25	M36x3	43	117	22
COD1200-50	G1/2	261	243	178	58	45	20	40	M20x2,5	25	M36x3	43	117	22





## Neck mounting nut

Neck mount. nut thread	Weight Kg	For cylinder	Order code
M24x2	0,04	COD300-40	<b>9141100000</b>
M36x3	0,14	COD600-50	<b>9141100100</b>
M36x3	0,14	COD1200-50	<b>9141100100</b>
M48x3	0,10	COP2500-60	<b>9141100200</b>
M48x3	0,10	COP2500-80	<b>9141100200</b>
M24x3	0,04	COP160-50S	<b>9141100300</b>
M24x3	0,04	COP160-80S	<b>9141100300</b>
M24x3	0,04	COP300-50S	<b>9141100300</b>
M24x3	0,04	COP300-80S	<b>9141100300</b>
M24x2	0,04	COD300-40S	<b>9141100000</b>
M36x3	0,14	COD600-50S	<b>9141100100</b>
M36x3	0,14	COD1200-50S	<b>9141100100</b>
M48x3	0,10	COP2500-60S	<b>9141100200</b>
M48x3	0,10	COP2500-100S	<b>9141100200</b>



## Piston rod nut

Piston rod nut thread	Weight Kg	For cylinder	Order code
M12	0,01	COD300-40	<b>0266211200</b>
M16	0,02	COD600-50	<b>0266211400</b>
M20	0,03	COD1200-50	<b>0266211600</b>
M24	0,04	COP2500-60	<b>0266211800</b>
M24	0,04	COP2500-80	<b>0266211800</b>
M12	0,01	COP160-50S	<b>0266211200</b>
M12	0,01	COP160-80S	<b>0266211200</b>
M12	0,01	COP300-50S	<b>0266211200</b>
M12	0,01	COP300-80S	<b>0266211200</b>
M12	0,01	COD300-40S	<b>0266211200</b>
M16	0,02	COD600-50S	<b>0266211400</b>
M20	0,03	COD1200-50S	<b>0266211600</b>
M24	0,04	COP2500-60S	<b>0266211800</b>
M24	0,04	COP2500-100S	<b>0266211800</b>

Thrust cylinders are supplied complete with piston rod nut.

## Seal kits for COD and COP

Description	Order code
COD300-40/-40S	<b>9121655401</b>
COD600-50/-50S	<b>9121655501</b>
COD1200-50/-50S	<b>9121655601</b>
COP160-50S/-80S	<b>9121655101</b>
COP300-50S/-80S	<b>9121655201</b>
COP2500-60/-80	<b>9121655301</b>
COP2500-60S/-100S	<b>9121655302</b>

## Grease for COD and COP



Weight	Order code
30 g	<b>9127394541</b>

## Press stand for thrust cylinders

A simple press for efficient mounting and pressing can easily be built by screwing the thrust cylinders into the threaded holes in the very stable and strong steel press stand. The stand is available in two versions with different fastening threads for the cylinders.

The top plate has two different threads, and can be rotated through 180 degrees to present the correct thread for nose fitting of the cylinders.

The sub-base is fitted with a T-track for easy mounting of accessories. It also has two through holes for simple and secure fitting to a work bench.



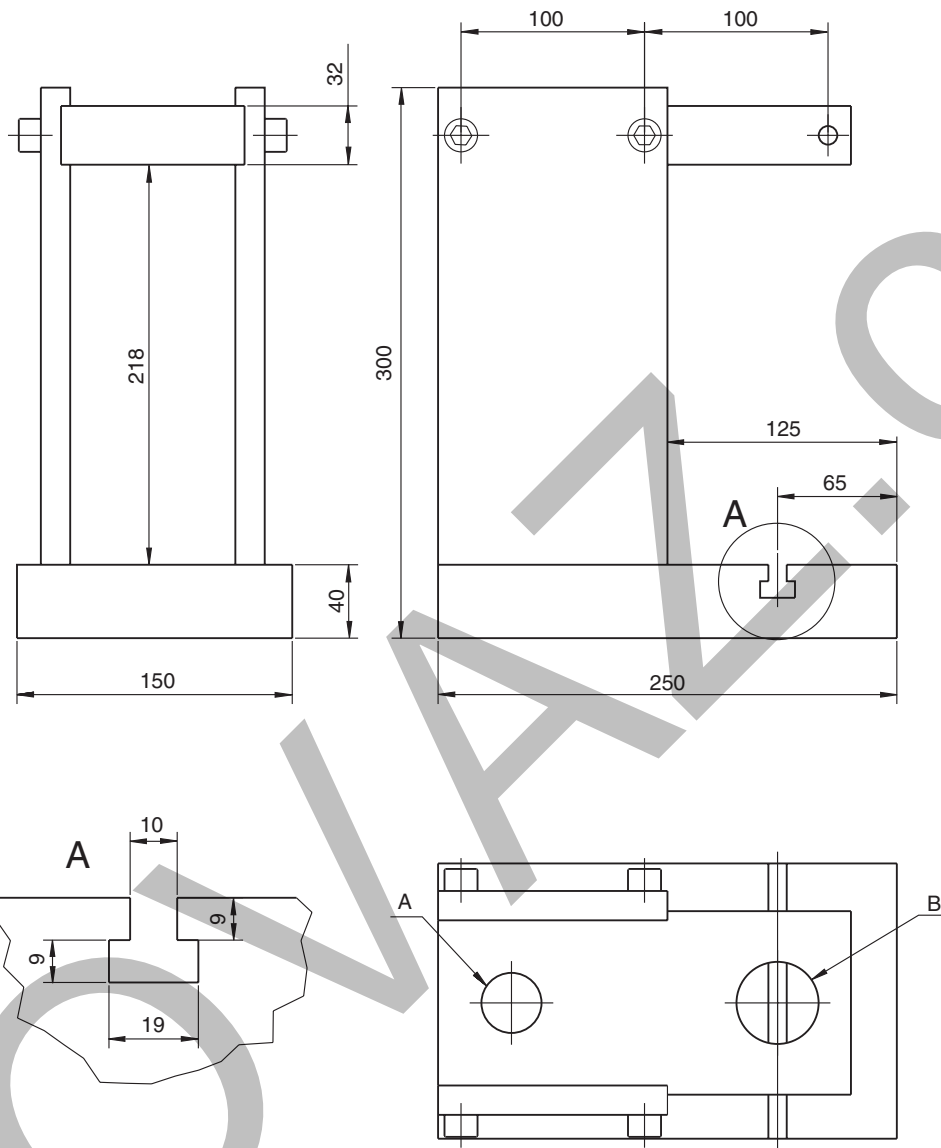
**NOTE!** Remember that an approved two-handed press control must be used with the cylinders and the press stand to prevent crush injuries.

We recommend the use of our type PXP two-handed press control. It is available in a number of versions, and is simple, ergonomic and safe to incorporate in the press stand. It meets the requirements of safety standards EN574 and EN954-1.

For more information, see our website:  
[www.parker.com/euro\\_pneumatic](http://www.parker.com/euro_pneumatic)

Description	Threads A/B	Weight kg	Order No.
Press stand for COP160-50S, COP160-80S, COP300-50S, COP300-80S, COD300-40, COD300-40S and COD300-50S	M24x2/M24x3	24	<b>COP-COD-P01</b>
Press stand for COD600-40, COD600-50S, COD1200-50S, COD1200-80S, COP2500-60, COP2500-80, COP2500-60S and COP2500-100S	M36x3/M48x3	24	<b>COP-COD-P02</b>

Dimensions



# Parker Worldwide

**AE – UAE, Dubai**  
Tel: +971 4 8875600  
parker.me@parker.com

**AR – Argentina, Buenos Aires**  
Tel: +54 3327 44 4129

**AT – Austria, Wiener Neustadt**  
Tel: +43 (0)2622 23501-0  
parker.austria@parker.com

**AT – Eastern Europe, Wiener Neustadt**  
Tel: +43 (0)2622 23501 970  
parker.easteurope@parker.com

**AU – Australia, Castle Hill**  
Tel: +61 (0)2-9634 7777

**AZ – Azerbaijan, Baku**  
Tel: +994 50 2233 458  
parker.azerbaijan@parker.com

**BE/LX – Belgium, Nivelles**  
Tel: +32 (0)67 280 900  
parker.belgium@parker.com

**BR – Brazil, Cachoeirinha RS**  
Tel: +55 51 3470 9144

**BY – Belarus, Minsk**  
Tel: +375 17 209 9399  
parker.belarus@parker.com

**CA – Canada, Milton, Ontario**  
Tel: +1 905 693 3000

**CH – Switzerland, Etoy**  
Tel: +41 (0) 21 821 02 30  
parker.switzerland@parker.com

**CN – China, Shanghai**  
Tel: +86 21 5031 2525

**CZ – Czech Republic, Klecany**  
Tel: +420 284 083 111  
parker.czechrepublic@parker.com

**DE – Germany, Kaarst**  
Tel: +49 (0)2131 4016 0  
parker.germany@parker.com

**DK – Denmark, Ballerup**  
Tel: +45 43 56 04 00  
parker.denmark@parker.com

**ES – Spain, Madrid**  
Tel: +34 902 33 00 01  
parker.spain@parker.com

**FI – Finland, Vantaa**  
Tel: +358 (0)20 753 2500  
parker.finland@parker.com

**FR – France, Contamine s/Arve**  
Tel: +33 (0)4 50 25 80 25  
parker.france@parker.com

**GR – Greece, Athens**  
Tel: +30 210 933 6450  
parker.greece@parker.com

**HK – Hong Kong**  
Tel: +852 2428 8008

**HU – Hungary, Budapest**  
Tel: +36 1 220 4155  
parker.hungary@parker.com

**IE – Ireland, Dublin**  
Tel: +353 (0)1 466 6370  
parker.ireland@parker.com

**IN – India, Mumbai**  
Tel: +91 22 6513 7081-85

**IT – Italy, Corsico (MI)**  
Tel: +39 02 45 19 21  
parker.italy@parker.com

**JP – Japan, Fujisawa**  
Tel: +(81) 4 6635 3050

**KR – South Korea, Seoul**  
Tel: +82 2 559 0400

**KZ – Kazakhstan, Almaty**  
Tel: +7 7272 505 800  
parker.easteurope@parker.com

**LV – Latvia, Riga**  
Tel: +371 6 745 2601  
parker.latvia@parker.com

**MX – Mexico, Apodaca**  
Tel: +52 81 8156 6000

**MY – Malaysia, Subang Jaya**  
Tel: +60 3 5638 1476

**NL – The Netherlands, Oldenzaal**  
Tel: +31 (0)541 585 000  
parker.nl@parker.com

**NO – Norway, Ski**  
Tel: +47 64 91 10 00  
parker.norway@parker.com

**NZ – New Zealand, Mt Wellington**  
Tel: +64 9 574 1744

**PL – Poland, Warsaw**  
Tel: +48 (0)22 573 24 00  
parker.poland@parker.com

**PT – Portugal, Leca da Palmeira**  
Tel: +351 22 999 7360  
parker.portugal@parker.com

**RO – Romania, Bucharest**  
Tel: +40 21 252 1382  
parker.romania@parker.com

**RU – Russia, Moscow**  
Tel: +7 495 645-2156  
parker.russia@parker.com

**SE – Sweden, Spånga**  
Tel: +46 (0)8 59 79 50 00  
parker.sweden@parker.com

**SG – Singapore**  
Tel: +65 6887 6300

**SK – Slovakia, Banská Bystrica**  
Tel: +421 484 162 252  
parker.slovakia@parker.com

**SL – Slovenia, Novo Mesto**  
Tel: +386 7 337 6650  
parker.slovenia@parker.com

**TH – Thailand, Bangkok**  
Tel: +662 717 8140

**TR – Turkey, Istanbul**  
Tel: +90 216 4997081  
parker.turkey@parker.com

**TW – Taiwan, Taipei**  
Tel: +886 2 2298 8987

**UA – Ukraine, Kiev**  
Tel: +380 44 494 2731  
parker.ukraine@parker.com

**UK – United Kingdom, Warwick**  
Tel: +44 (0)1926 317 878  
parker.uk@parker.com

**US – USA, Cleveland**  
Tel: +1 216 896 3000

**VE – Venezuela, Caracas**  
Tel: +58 212 238 5422

**ZA – South Africa, Kempton Park**  
Tel: +27 (0)11 961 0700  
parker.southafrica@parker.com

European Product Information Centre

Free phone: 00 800 27 27 5374

(from AT, BE, CH, CZ, DE, DK, EE, EI, ES, FI, FR, IT, NL, NO, PL, RU, SE, SK, UK, ZA)

