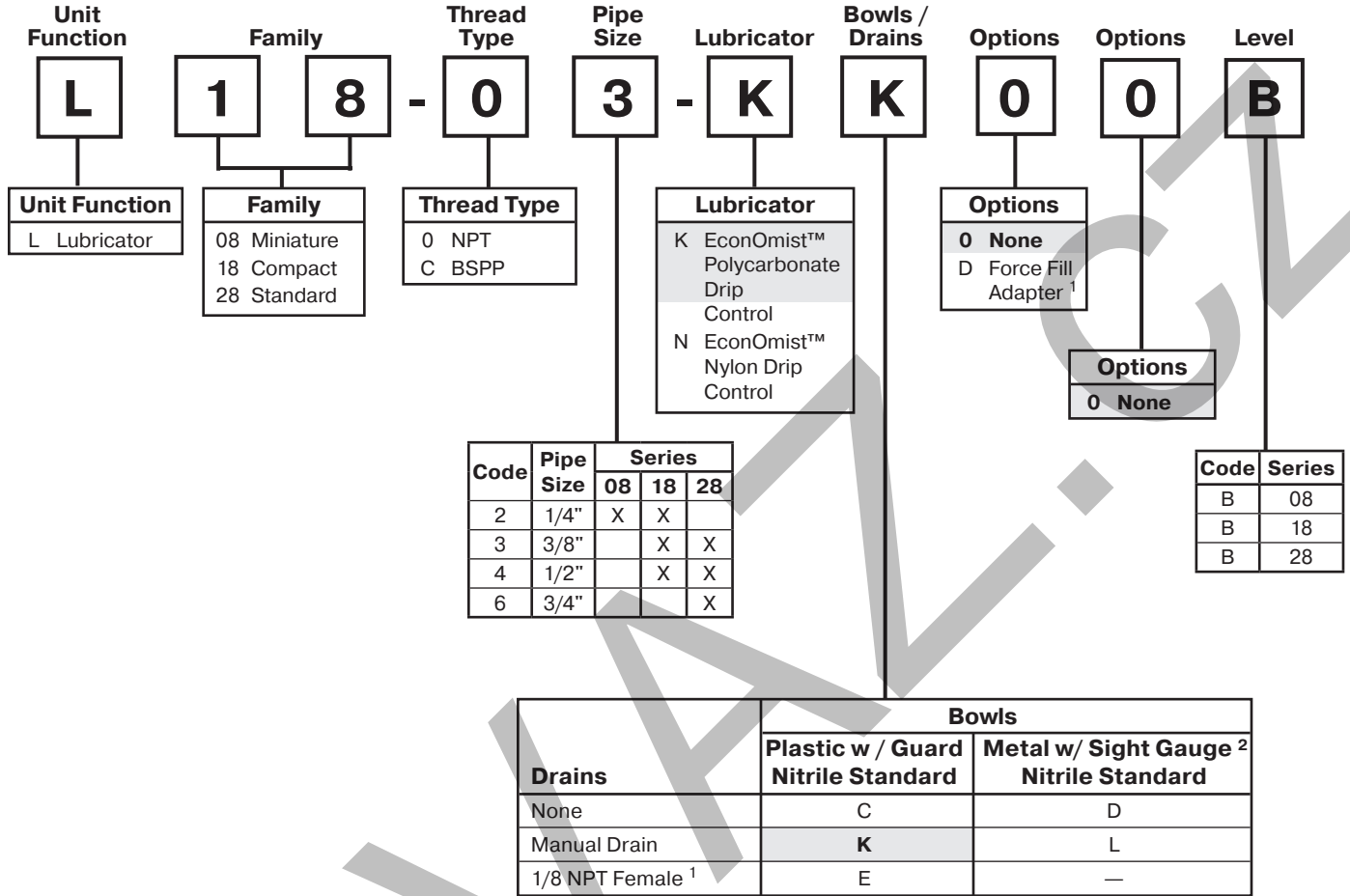


Lubricator Numbering System

 = "Most Popular"



¹ Not available on L08

² No sight gauge on L08

Note: When selecting from the options columns, please enter letters in alphabetical order for positions 7, 8, and 9. For example:

L 18 - 03 - KK00 B

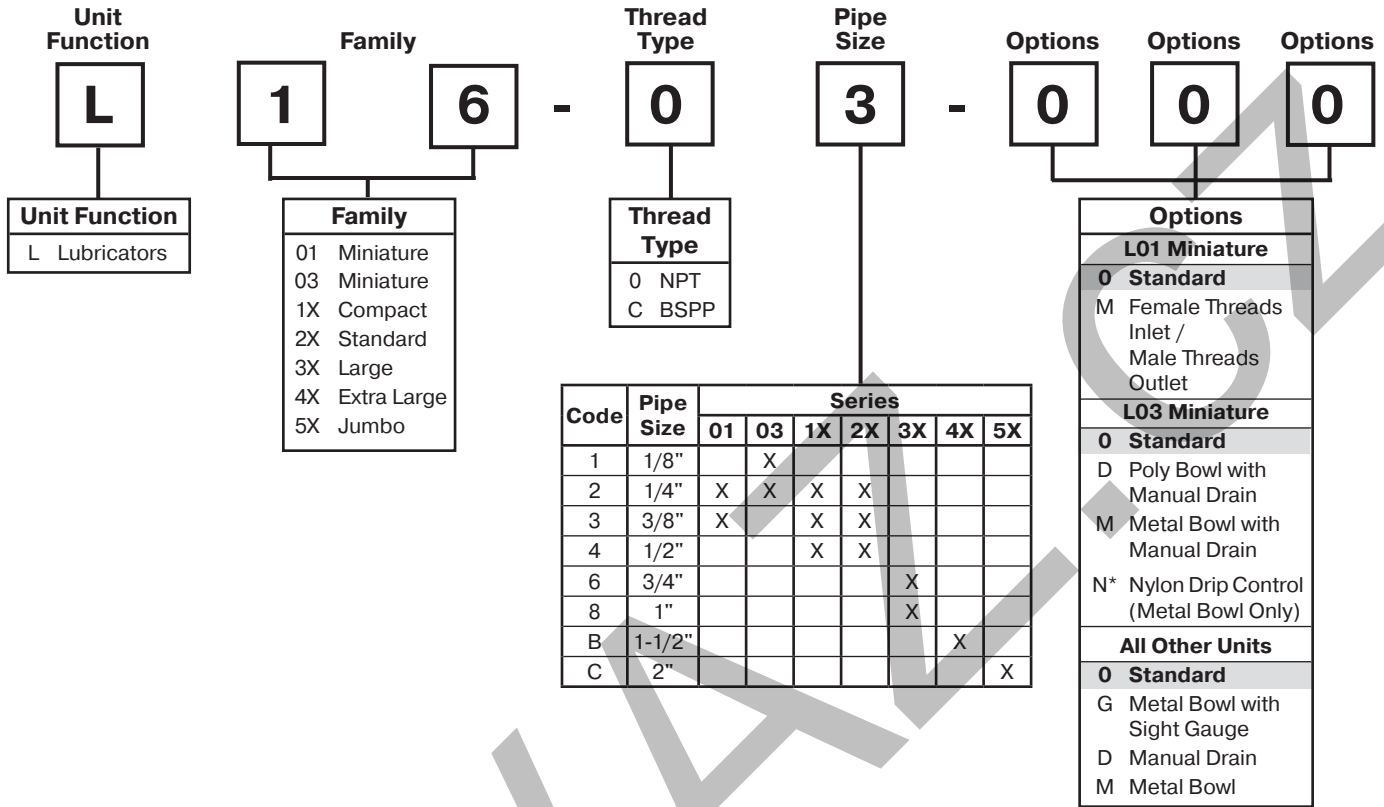
Suggested Lubricant

Airline Oil F442001

Petroleum based oil of 100 to 200 SUS viscosity at 100°F and an aniline point greater than 200°F (DO NOT USE OILS WITH ADDITIVES, COMPOUNDED OILS CONTAINING SOLVENTS, GRAPHITE, DETERGENTS, OR SYNTHETIC OILS.)

Lubricator Numbering System

 = "Most Popular"



* Available only with Metal Bowl "M".

Note: When selecting from the options columns, please enter letters in alphabetical order for positions 6, 7, and 8. For example:

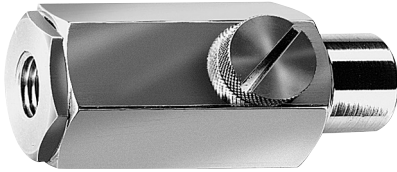
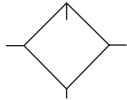
L16-03-000

Suggested Lubricant

Airline Oil F442001
 Petroleum based oil of 100 to 200 SUS viscosity at 100°F and an aniline point greater than 200°F (DO NOT USE OILS WITH ADDITIVES, COMPOUNDED OILS CONTAINING SOLVENTS, GRAPHITE, DETERGENTS, OR SYNTHETIC OILS.)

Lubricator L01 EconOmist™

 = "Most Popular"

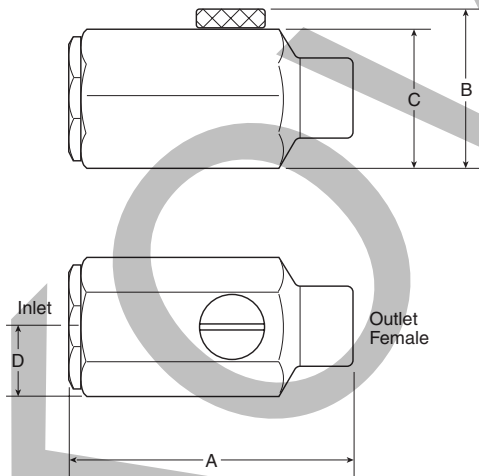


L01-02-000

In-Line Lubricator

In-Line Lubricators assure proper lubrication for small pneumatic hand tools. These in-line lubricators put the oil source right at the tool. Oil capacity is 1/4 oz. (1 ml) enough to last through an average 8-hour shift. This lubricator requires cyclical or intermittent airflow for proper operation, and consequently works best when installed at the tool inlet or on a short hose near the tool.

The L01 cannot be filled under pressure.



Dimensions

Models	Pipe Size Inlet	Pipe Size Outlet	Inches (mm)	A	B	C	D
Standard Unit	1/4" NPT Female	1/4" NPT Female		2.65 (67)	1.30 (33)	1.12 (28.5)	.65 (16.5)
L01-02-M00	1/4" NPT Female	1/4" NPT Male		2.93 (74)	1.30 (33)	1.12 (28.5)	.65 (16.5)
L01-03-M00	3/8" NPT Female	3/8" NPT Male		3.19 (81)	1.30 (33)	1.12 (28.5)	.65 (16.5)

Specifications

Flow Capacity*	1/4 3/8	36.0 SCFM (17.0 dm ³ /s) 38.1 SCFM (18.0 dm ³ /s)
Maximum Supply Pressure		200 PSIG (13.8 bar)
Oil Capacity**	oz. (cm ³)	0.25 (7.4)
Operating Temperature		32° to 150°F (0° to 65.5°C)
Port Size	NPT / BSPT-Rc	1/4, 3/8
Weight	lb. (kg)	0.2 (0.1)

* Inlet pressure 150 PSIG (10.3 bar). Pressure drop 5 PSID (0.3 bar).

** Oil Capacity refers to usable volume.

Materials of Construction

Body	Aluminum
Seals	Nitrile

Suggested Lubricant

Airline Oil F442001

Petroleum based oil of 100 to 200 SUS viscosity at 100°F and an aniline point greater than 200°F

(DO NOT USE OILS WITH ADDITIVES, COMPOUNDED OILS CONTAINING SOLVENTS, GRAPHITE, DETERGENTS, OR SYNTHETIC OILS.)

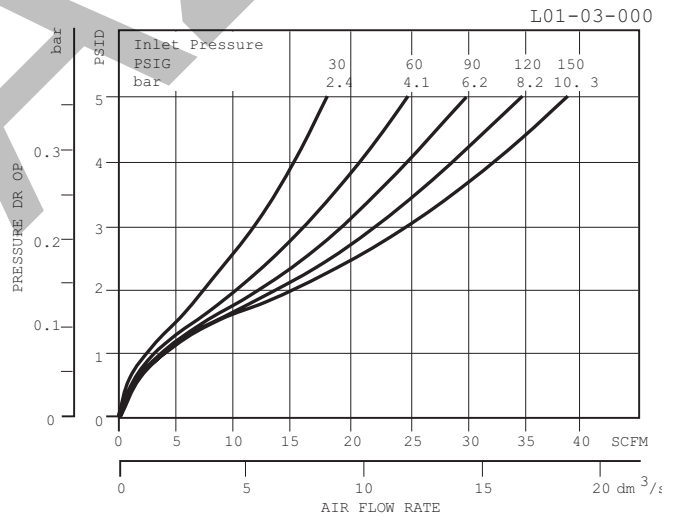
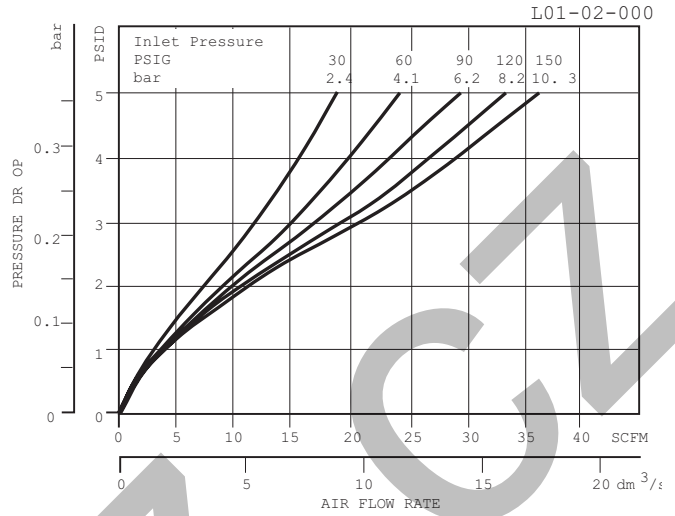
 = "Most Popular"

Replacement Kits

- Fill Plug Kit – Brass Fill Plug and O-ring.....LRP-95-254
- O-ring Repair KitLRP-95-074

Accessories

- Air Line Oil (1 Qt. Bottle).....F442001



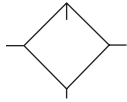
Ordering Information

Model Type	Port Size	Female Threads Inlet / Female Threads Outlet	Female Threads Inlet / Male Threads Outlet
In-Line Lubricator	1/4	L01-02-000	L01-02-M00
	3/8	L01-03-000	L01-03-M00

Options - To order an option supplied with the unit model, add the appropriate coded suffix letter in the designated position of the model number.

Lubricator L03 EconOmist™

= "Most Popular"



L03-01-000

Features

- Proportional Oil Delivery over a Wide Range of Air Flows
- Precision Needle Valve Assures Repeatable Oil Delivery and Provides Simple Adjustment of Delivery Rate
- Ideal for Low and Light Flow Applications with Changing Air Flow
- Transparent Sight Dome for 360° Visibility

Specifications

Flow Capacity*	1/8	20 SCFM (9.4 dm ³ /s)
	1/4	20 SCFM (9.4 dm ³ /s)
Minimum Flow for Lubrication	0.7 SCFM at 100 PSIG	
Port Threads	1/8, 1/4 Inch	
Pressure & Temperature Ratings –		
Polycarbonate Bowl –	0 to 150 PSIG (0 to 10.3 bar) 32°F to 125°F (0°C to 52°C)	
Metal Bowl –	0 to 250 PSIG (0 to 17.2 bar) 32°F to 175°F (0°C to 80°C)	
Weight	.4 lb. (.18 kg)	

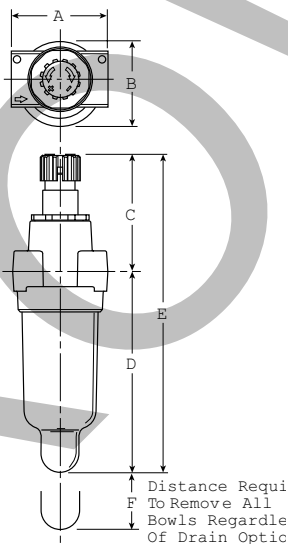
* Inlet pressure 90 PSIG (6.2 bar). Pressure drop 5 PSID (0.3 bar).

Materials of Construction

Body	Zinc	
Bowls	Plastic Bowl	Polycarbonate
	Metal Bowl (Without Sight Gauge)	Zinc
Drains – Manual – Body & Nut	Plastic	
Seals	Nitrile	
Sight Dome	Polycarbonate	

Suggested Lubricant

Airline Oil F442001
 Petroleum based oil of 100 to 200 SUS viscosity at 100°F and an aniline point greater than 200°F
 (DO NOT USE OILS WITH ADDITIVES, COMPOUNDED OILS CONTAINING SOLVENTS, GRAPHITE, DETERGENTS, OR SYNTHETIC OILS.)



Dimensions

Models	Inches (mm)	A	B	C	D	D†	E	E†	F
Standard Unit L03-XX-000		1.73 (44)	1.56 (40)	2.16 (55)	3.64 (92)	3.78 (96)	5.80 (147)	5.94 (151)	1.60 (41)

† With Twist Drain

Replacement Kits

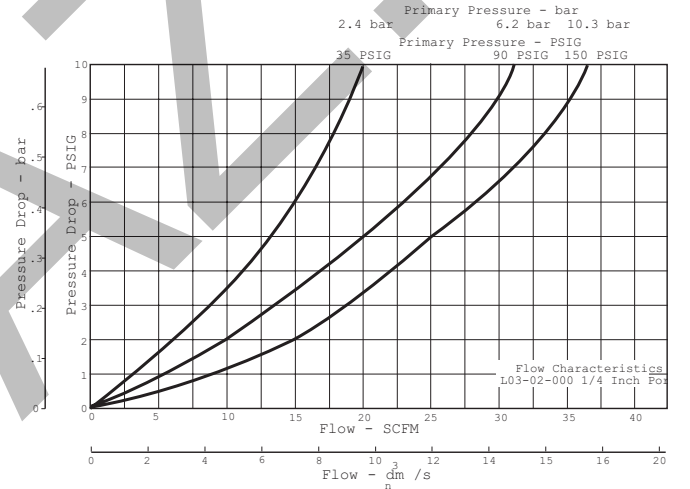
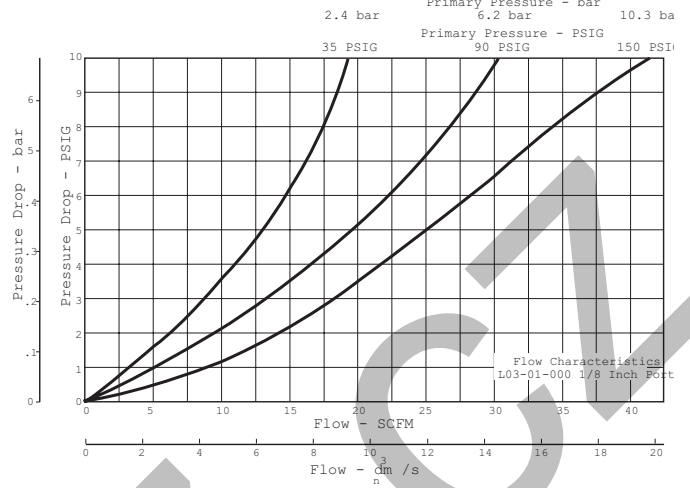
Bowl Kits –

- Poly Bowl, Manual DrainPS420
- Metal Bowl – Manual Drain (No Sight Gauge).....PS447B
- Poly Bowl – No DrainPS421

Accessories

- Air Line Oil (1 Qt. Bottle).....F442001
- Mounting Bracket Kit** PS419

 = “Most Popular”

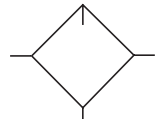


Ordering Information

Model Type	Port Size	Polycarbonate Bowl	Metal Bowl
EconOmist™	1/8	L03-01-000	L03-01-M00
	1/4	L03-02-000	L03-02-M00

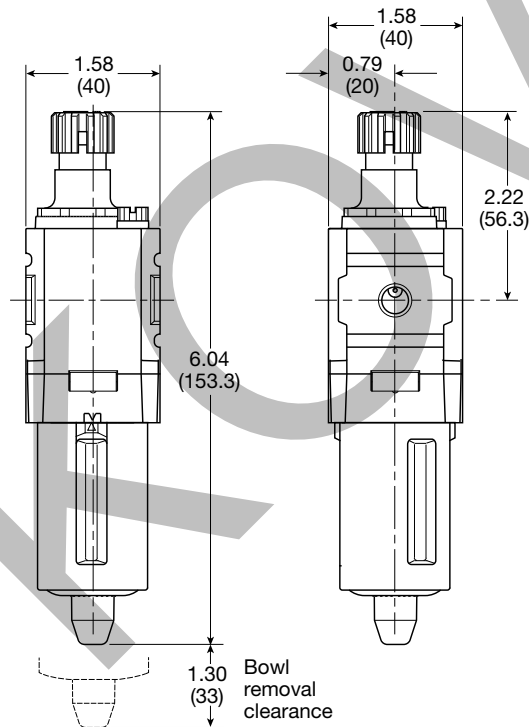
Options - To order an option supplied with the unit model, add the appropriate coded suffix letter in the designated position of the model number.

Lubricator L08 EconOmist™



Features

- Integral Sight Dome and Adjustment Knob
- Fill-under Pressure Design
- Modern Design and Appearance
- Light Weight
- High Flow Capacity
- Quick-disconnect Bowl



Inches (mm)

Specifications

Flow Capacity*	1/4	52 SCFM (25 dm ³ /s, ANR)
Initial Drip Flow		1.3 SCFM
Maximum Supply Pressure	Plastic Bowl Metal Bowl	150 PSIG (10.3 bar) 250 PSIG (17.2 bar)
Minimum Flow for Lubrication		1.3 SCFM @ 100 PSIG
Operating Temperature	Plastic Bowl Metal Bowl	14° to 125°F (-10° to 52°C) 14° to 150°F (-10° to 65.5°C)
Port Size	NPT / BSPP-G	1/4
Bowl Capacity		0.6 oz
Weight		0.29 lb. (0.13 kg)

* Inlet pressure 91.3 PSIG (6.3 bar). Pressure drop 4.9 PSID (0.34 bar).

Materials of Construction

Body	Aluminum	
Body Cap	ABS	
Bowls	Plastic Bowl Metal Bowl	Polycarbonate Aluminum
Pick-up Filter	Sintered Bronze	
Seals	Plastic Bowl Metal Bowl	Nitrile Nitrile
Sight Dome	Polycarbonate	

Suggested Lubricant

Airline Oil F442001

Petroleum based oil of 100 to 200 SUS viscosity at 100°F and an aniline point greater than 200°F

(DO NOT USE OILS WITH ADDITIVES, COMPOUNDED OILS CONTAINING SOLVENTS, GRAPHITE, DETERGENTS, OR SYNTHETIC OILS.)

= "Most Popular"

Replacement Bowl Kits

Metal Bowl –
 Manual Drain GRP-96-714
 No Drain Port GRP-96-715

Plastic Bowl –
 Bowl Guard, Manual Drain LRP-96-736
 Bowl Guard, No Drain Port LRP-96-713

Replacement Kits

Bowl O-ring –
 Fluorocarbon GRP-96-711
 Nitrile GRP-96-710

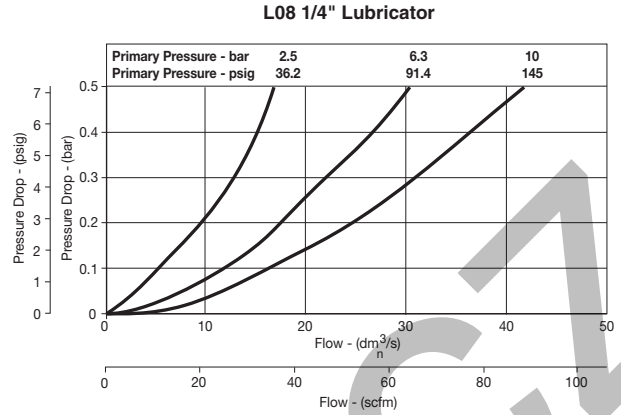
Fill Plug Kit LRP-96-730

Sight Dome Assembly –
 Nylon LRP-96-720
 Polycarbonate, L08-XX-KXXX LRP-96-725

Siphon Tube Assembly LRP-96-731

Accessories

Wall Mounting Bracket –
 C-Type GPA-97-010
 T-Type GPA-96-737



Ordering Information

Model Type	Port Size	Plastic Bowl / Bowl Guard	Metal Bowl / No Sight Gauge
No Drain	1/4	L08-02-KC00B	L08-02-KD00B
Manual Drain	1/4	L08-02-KK00B	L08-02-KL00B

Options - To order an option supplied with the unit model, add the appropriate coded suffix letter in the designated position of the model number.

Lubricator L18 EconOmist™



Features

- Integral Sight Dome and Adjustment Knob
- 1/2" NPT / BSPP-G Over-port
- Can be Filled while Under Pressure
- Quick-disconnect Bowl / Bowl Guard
- Manual Drain
- High Flow Capacities

Specifications

Flow Capacity*	1/4	88 SCFM (42 dm ³ /s, ANR)
	3/8	90 SCFM (43 dm ³ /s, ANR)
	1/2	96 SCFM (45 dm ³ /s, ANR)
Initial Drip Flow	0.68 SCFM	
Maximum Supply Pressure	Plastic Bowl	150 PSIG (10.3 bar)
	Metal Bowl	250 PSIG (17.2 bar)
Minimum Flow for Lubrication	.7 SCFM @ 100 PSIG	
Operating Temperature	Plastic Bowl	14° to 125°F (-10° to 52°C)
	Metal Bowl	14° to 150°F (-10° to 65.5°C)
Port Size	NPT / BSPP-G 1/4, 3/8, 1/2	
Bowl Capacity	4 oz	
Weight	0.68 lb. (0.31 kg)	

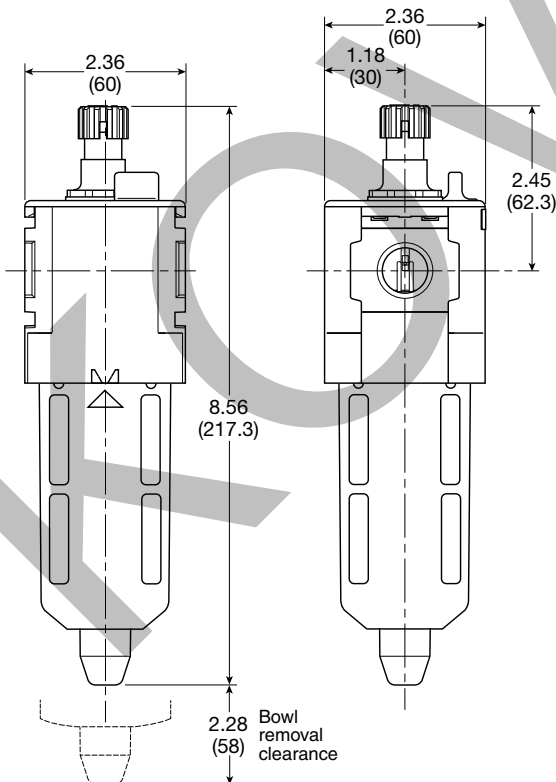
* Inlet pressure 91.3 PSIG (6.3 bar). Pressure drop 4.9 PSID (0.34 bar).

Materials of Construction

Body	Aluminum	
Body Cap	ABS	
Bowls	Plastic Bowl	Polycarbonate
	Metal Bowl	Aluminum
Pick-up Filter	Sintered Bronze	
Seals	Plastic Bowl	Nitrile
	Metal Bowl	Nitrile
Sight Dome	Polycarbonate	
Sight Gauge	Metal Bowl	Polyamide (Nylon)

Suggested Lubricant

Airline Oil F442001
 Petroleum based oil of 100 to 200 SUS viscosity at 100°F and an aniline point greater than 200°F
 (DO NOT USE OILS WITH ADDITIVES, COMPOUNDED OILS CONTAINING SOLVENTS, GRAPHITE, DETERGENTS, OR SYNTHETIC OILS.)



Inches (mm)

= "Most Popular"

Replacement Bowl Kits

- Metal Bowl with Sight Gauge, Manual Drain GRP-96-636
- Plastic Bowl / Bowl Guard, Manual Drain..... LRP-96-701

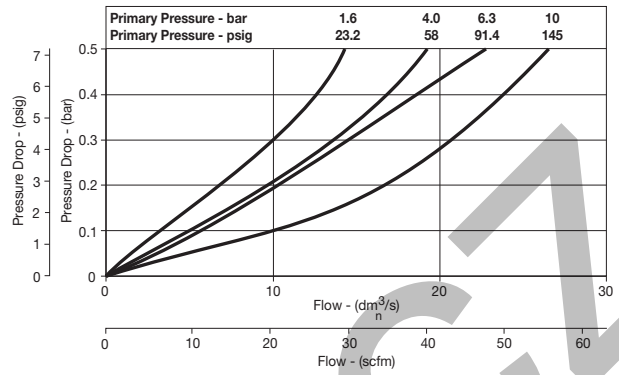
Replacement Kits

- Bowl O-ring –
 - Fluorocarbon GRP-96-754
 - Nitrile GRP-96-640
- Bypass Assembly LRP-96-678
- Fill Plug Kit LRP-96-679
- Sight Dome Assembly –
 - Nylon..... LRP-96-720
 - Polycarbonate, L18-XX-**KK00** LRP-96-725
- Siphon Tube Assembly..... LRP-96-677

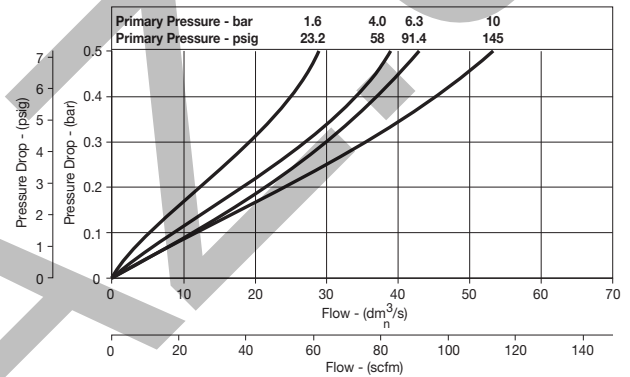
Accessories

- Force Fill Adapter LRP-96-704
- Manual Drain..... GRP-96-685
- Sight Gauge Kit GRP-96-825
- Wall Mounting Bracket –
 - L-Type GPA-96-604
 - T-Type GPA-96-602

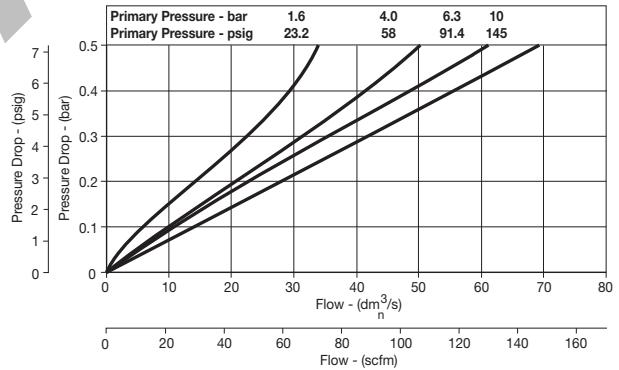
L18 1/4" Lubricator



L18 3/8" Lubricator



L18 1/2" Lubricator



Ordering Information

Model Type	Port Size	Plastic Bowl / Bowl Guard	Metal Bowl / Sight Gauge
No Drain	1/4	L18-02-KC00B	L18-02-KD00B
	3/8	L18-03-KC00B	L18-03-KD00B
	1/2	L18-04-KC00B	L18-04-KD00B
Manual Drain	1/4	L18-02-KK00B	L18-02-KL00B
	3/8	L18-03-KK00B	L18-03-KL00B
	1/2	L18-04-KK00B	L18-04-KL00B

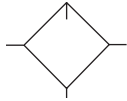
Options - To order an option supplied with the unit model, add the appropriate coded suffix letter in the designated position of the model number.

Lubricator

L16 EconOmist™

L17 AtoMist™

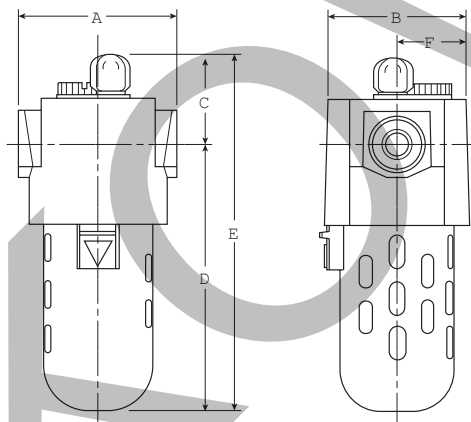
= "Most Popular"



L16 / L17-02-000

Features

- L16 Model Can be Filled with Lubricant while Under Pressure (**L17 AtoMist™ Cannot be Filled Under Pressure**)
- Siphon Tube Filter Provides Clean Lubricant Downstream
- Quick-Disconnect Bowl Guard with Integral Plastic Bowl and Safety Latch
- Adjustable Oil Feed
- Optional Petcock Drain in Polycarbonate Bowl



Dimensions

Models	Inches (mm)	A	B	C	D	E	F
Standard Unit L16-XX-000 & L17-XX-000		3.00 (76)	2.62 (66.5)	1.62 (41)	5.03 (128)	6.66 (169)	1.31 (33.3)
Manual Drain L16-XX-D00 & L17-XX-D00		3.00 (76)	2.62 (66.5)	1.62 (41)	5.83 (148)	6.58 (167)	1.31 (33.3)
Metal Bowl with Sight Gauge L16-XX-G00 & L17-XX-G00		3.00 (76)	2.62 (66.5)	1.62 (41)	6.21 (158)	7.80 (198)	1.31 (33.3)

Specifications

Flow Capacity*	1/4	36.1 SCFM (17.0 dm ³ /s)
	3/8	58.5 SCFM (27.6 dm ³ /s)
	1/2	64.0 SCFM (30.2 dm ³ /s)
Initial Drip Flow	.38 - 1.37 SCFM	
Maximum Supply Pressure	Plastic Bowl	150 PSIG (10.3 bar)
	Metal Bowl	200 PSIG (13.8 bar)
Minimum Flow for Lubrication	1.4 SCFM @ 100 PSIG	
Operating Temperature	Plastic Bowl	32° to 125°F (0° to 52°C)
	Metal Bowl	32° to 150°F (0° to 65.5°C)
Port Size	NPT / BSPP-G	1/4, 3/8, 1/2
Bowl Capacity	L16	5.0 oz
	L17	3.4 oz
Weight	1.8 lb. (0.82 kg)	

* Inlet pressure 150 PSIG (10.3 bar). Pressure drop 5 PSID (0.3 bar).

Materials of Construction

Body	Zinc	
Bowls	Plastic Bowl	Polycarbonate
	Metal Bowl	Zinc
Seals	Plastic Bowl	Nitrile
	Metal Bowl	Fluorocarbon
Sight Dome	Polycarbonate	
Sight Gauge	Metal Bowl	Polycarbonate

Suggested Lubricant

Airline Oil F442001
 Petroleum based oil of 100 to 200 SUS viscosity at 100°F and an aniline point greater than 200°F
 (DO NOT USE OILS WITH ADDITIVES, COMPOUNDED OILS CONTAINING SOLVENTS, GRAPHITE, DETERGENTS, OR SYNTHETIC OILS.)

 = "Most Popular"

Replacement Bowl Kits

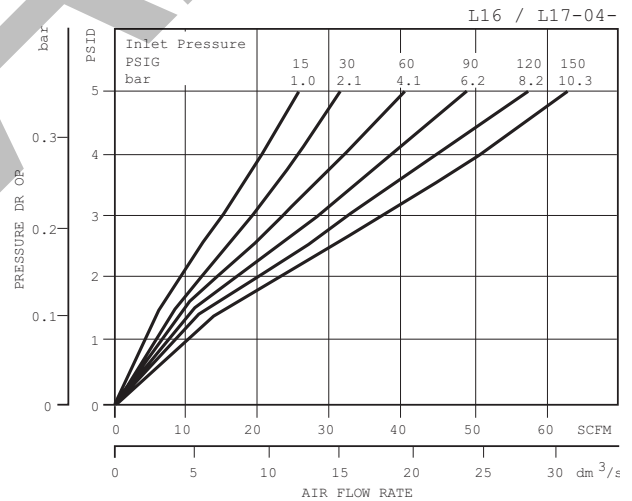
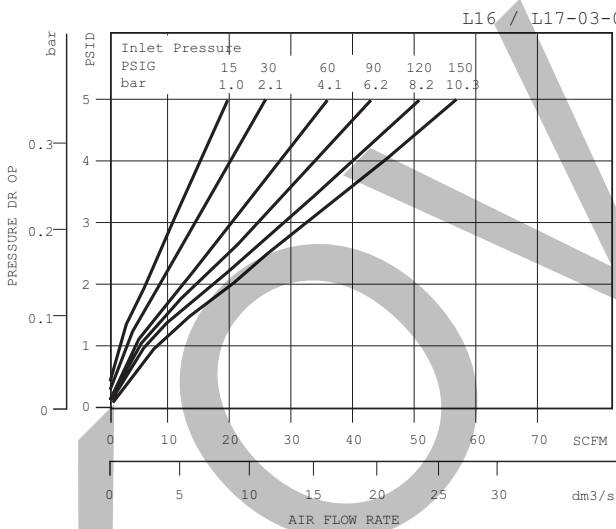
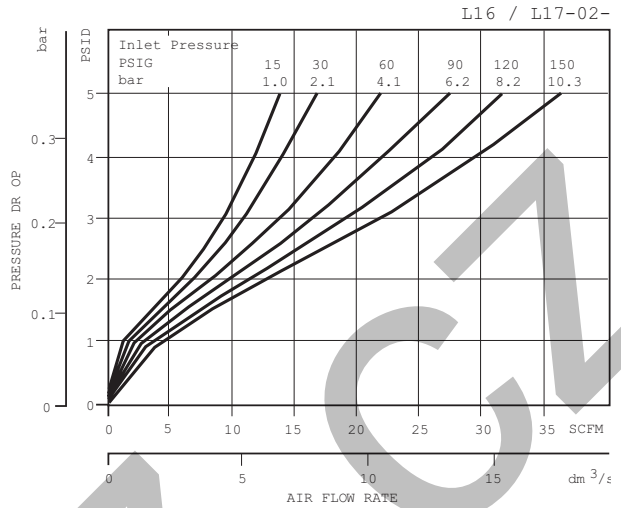
- Metal Bowl with Sight Gauge, Brass Petcock Drain GRP-95-133
- Plastic Bowl – No Drain Port LRP-96-937
- Plastic Petcock Drain LRP-96-543

Replacement Kits

- Fill Plug Kit – Fill Plug and O-ring LRP-95-253
- Flow Guide – 1/4 NPT / BSPP-G, L16 LRP-95-241
- 3/8 and 1/2 NPT / BSPP-G, L16 LRP-95-242
- 1/4 NPT / BSPP-G, L17 LRP-95-246
- 3/8 and 1/2 NPT / BSPP-G, L17 LRP-95-247
- Sight Dome Kit – Sight Dome and O-ring LRP-95-239
- Tube, Siphon – Tube and Bronze Filter LRP-96-005

Accessories

- Air Line Oil (1 Qt. Bottle) F442001
- Low Level Switch LRP-95-093
- Manual Drain – Brass Petcock GRP-95-182
- Plastic Petcock LRP-95-181
- Tamper Resistant Kit LRP-95-587
- Wall Mounting Bracket, L-Type GPA-95-016

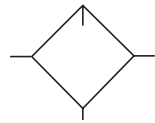


Ordering Information

Model Type	Port Size	Polycarbonate Bowl / Bowl Guard	Polycarbonate Bowl / Bowl Guard with Manual Drain	Metal Bowl / Sight Gauge
EconOmist™	1/4	L16-02-000	L16-02-D00	L16-02-G00
	3/8	L16-03-000	L16-03-D00	L16-03-G00
	1/2	L16-04-000	L16-04-D00	L16-04-G00
AtoMist™	1/4	L17-02-000	L17-02-D00	L17-02-G00
	3/8	L17-03-000	L17-03-D00	L17-03-G00
	1/2	L17-04-000	L17-04-D00	L17-04-G00

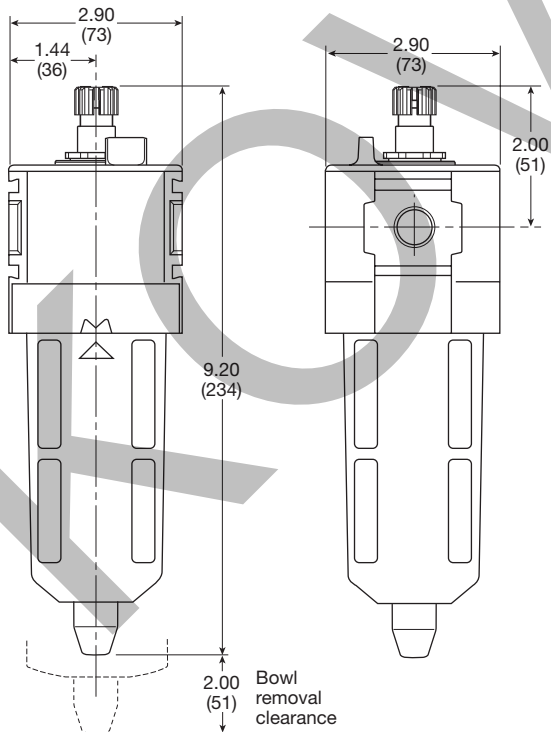
Options - To order an option supplied with the unit model, add the appropriate coded suffix letter in the designated position of the model number.

Lubricator L28 EconOmist™



Features

- Integral Sight Dome and Adjustment Knob
- 3/4" NPT / BSPP-G Over-port
- Can be Filled while Under Pressure
- Quick-disconnect Bowl / Bowl Guard
- High Flow Capacities



Inches (mm)

Specifications

Flow Capacity*	3/8	110 SCFM (52 dm ³ /s, ANR)
	1/2	110 SCFM (52 dm ³ /s, ANR)
	3/4	150 SCFM (71 dm ³ /s, ANR)
Initial Drip Flow	1.26 SCFM	
Maximum Supply Pressure	Plastic Bowl	150 PSIG (10.3 bar)
	Metal Bowl	250 PSIG (17.2 bar)
Minimum Flow for Lubrication	1.3 SCFM@ 100 PSIG	
Operating Temperature	Plastic Bowl	14° to 125°F (-10° to 52°C)
	Metal Bowl	14° to 150°F (-10° to 65.5°C)
Port Size	NPT / BSPP-G 3/8, 1/2, 3/4	
Bowl Capacity	6 oz	
Weight	1.04 lb. (0.47 kg)	

* Inlet pressure 91.3 PSIG (6.3 bar). Pressure drop 4.9 PSID (0.34 bar).

Materials of Construction

Body	Aluminum	
Body Cap	ABS	
Bowls	Plastic Bowl	Polycarbonate
	Metal Bowl	Aluminum
Pick-up Filter	Sintered Bronze	
Seals	Plastic Bowl	Nitrile
	Metal Bowl	Nitrile
Sight Dome	Polycarbonate	
Sight Gauge	Metal Bowl	Polyamide (Nylon)

Suggested Lubricant

Airline Oil F442001

Petroleum based oil of 100 to 200 SUS viscosity at 100°F and an aniline point greater than 200°F

(DO NOT USE OILS WITH ADDITIVES, COMPOUNDED OILS CONTAINING SOLVENTS, GRAPHITE, DETERGENTS, OR SYNTHETIC OILS.)

= "Most Popular"

Replacement Bowl Kits

- Metal Bowl with Sight Gauge, Manual Drain GRP-96-644
- Plastic Bowl / Bowl Guard, Manual Drain..... LRP-96-702

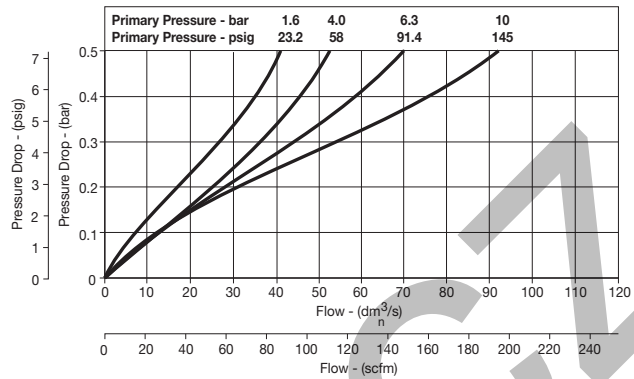
Replacement Kits

- Bowl O-ring, Nitrile GRP-96-654
- Bowl O-ring, Fluorocarbon GRP-96-755
- Bypass Assembly LRP-96-678
- Fill Plug Kit LRP-96-679
- Sight Dome Assembly –
 - Nylon..... LRP-96-720
 - Polycarbonate, L28-XX-KK00..... LRP-96-725
- Siphon Tube Assembly..... LRP-96-681

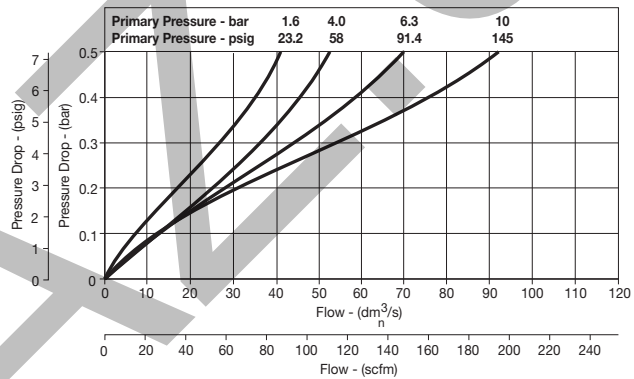
Accessories

- Force Fill Adapter LRP-96-704
- Sight Gauge Kit GRP-96-825
- Wall Mounting Bracket –
 - L-Type..... GPA-96-605
 - T-Type GPA-96-602

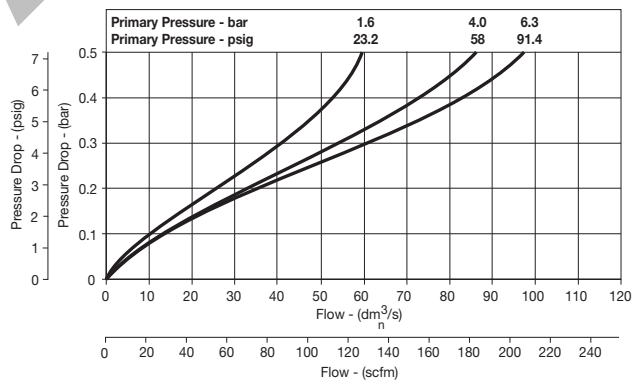
L28 3/8" Lubricator



L28 1/2" Lubricator



L28 3/4" Lubricator



Ordering Information

Model Type	Port Size	Plastic Bowl / Bowl Guard	Metal Bowl / Sight Gauge
No Drain	3/8	L28-03-KC00B	L28-03-KD00B
	1/2	L28-04-KC00B	L28-04-KD00B
	3/4	L28-06-KC00B	L28-06-KD00B
Manual Drain	3/8	L28-03-KK00B	L28-03-KL00B
	1/2	L28-04-KK00B	L28-04-KL00B
	3/4	L28-06-KK00B	L28-06-KL00B

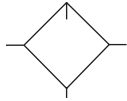
Options - To order an option supplied with the unit model, add the appropriate coded suffix letter in the designated position of the model number.

Lubricator

L26 EconOmist™

L27 AtoMist™

= "Most Popular"



L26 / L27-02-000

Features

- L26 Model Can be Filled with Lubricant while Under Pressure (**L27 AtoMist™ Cannot be Filled Under Pressure**)
- Siphon Tube Filter Provides Clean Lubricant Downstream
- Quick-Disconnect Bowl Guard with Integral Plastic Bowl and Safety Latch
- Adjustable Oil Feed
- Optional Petcock Drain in Polycarbonate Bowl

Specifications

Flow Capacity*	1/4	35 SCFM (16.5 dm ³ /s)
	3/8	60 SCFM (28.3 dm ³ /s)
	1/2	128 SCFM (60.4 dm ³ /s)
Maximum Supply Pressure	Plastic Bowl	150 PSIG (10.3 bar)
	Metal Bowl	200 PSIG (13.8 bar)
Operating Temperature	Plastic Bowl	32° to 125°F (0° to 52°C)
	Metal Bowl	32° to 150°F (0° to 65.5°C)
Port Size	NPT / BSPP-G	1/4, 3/8, 1/2
Bowl Capacity	L26	10.0 oz
	L27	6.6 oz
Weight	2.4 lb. (1.07 kg)	

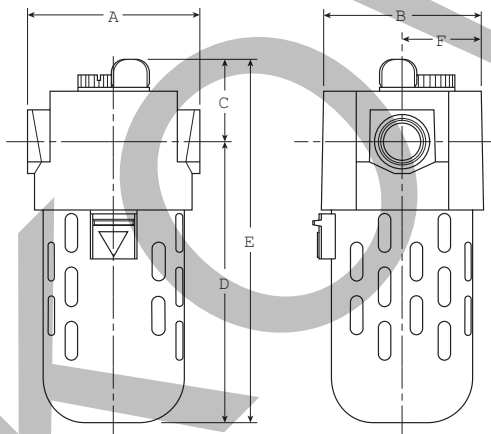
* Inlet pressure 150 PSIG (10.3 bar). Pressure drop 5 PSID (0.3 bar).

Materials of Construction

Body	Zinc	
Bowls	Plastic Bowl	Polycarbonate
	Metal Bowl	Zinc
Seals	Plastic Bowl	Nitrile
	Metal Bowl	Fluorocarbon
Sight Gauge	Metal Bowl	Nylon
Sight Dome	Nylon	

Suggested Lubricant

Airline Oil F442001
 Petroleum based oil of 100 to 200 SUS viscosity at 100°F and an aniline point greater than 200°F
 (DO NOT USE OILS WITH ADDITIVES, COMPOUNDED OILS CONTAINING SOLVENTS, GRAPHITE, DETERGENTS, OR SYNTHETIC OILS.)



Dimensions

Models	Inches (mm)	A	B	C	D	E	F
Standard Unit L26-XX-000 & L27-XX-000		3.35 (85)	3.06 (78)	1.60 (41)	5.46 (139)	7.06 (179)	1.53 (38.9)
Manual Drain L26-XX-D00 & L27-XX-D00		3.35 (85)	3.06 (78)	1.60 (41)	6.42 (163)	7.76 (197)	1.53 (38.9)
Metal Bowl with Sight Gauge L26-XX-G00 & L27-XX-G00		3.35 (85)	3.06 (78)	1.60 (41)	6.42 (163)	7.80 (198)	1.53 (38.9)

= "Most Popular"

Replacement Bowl Kits

Metal Bowl / Sight Gauge, Brass Petcock Drain .. GRP-95-931

Plastic Bowl –

No Drain PortLRP-96-938

Plastic Petcock DrainLRP-95-958

Plastic Bowl / Guard, Brass Petcock DrainLRP-95-967

Replacement Kits

Fill Plug Kit – Fill Plug and O-ringLRP-95-253

Flow Guide –

1/4 NPT / BSPP-G, L26 LRP-95-241

3/8 NPT / BSPP-G, L26 LRP-95-242

1/2 NPT / BSPP-G, L26..... LRP-95-243

1/4 NPT / BSPP-G, L27..... LRP-95-246

3/8 NPT / BSPP-G, L27 LRP-95-247

1/2 NPT / BSPP-G, L27..... LRP-95-248

Sight Dome Kit – Sight Dome and O-ringLRP-95-239

Tube, Siphon – Tube and Bronze Filter LRP-96-137

Accessories

Air Line Oil (1 Qt. Bottle).....F442001

Auto-Fill™ Adapter Kit.....LRP-95-965

Low Level SwitchLRP-95-093

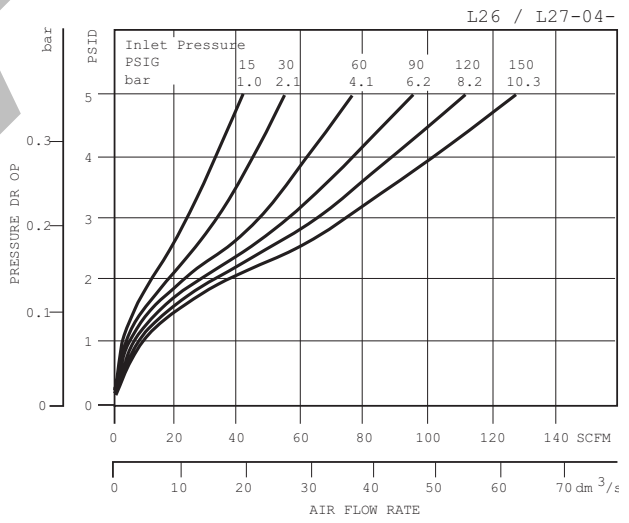
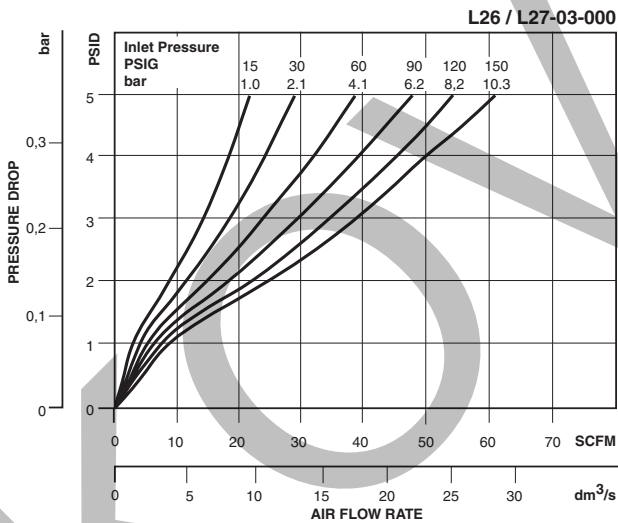
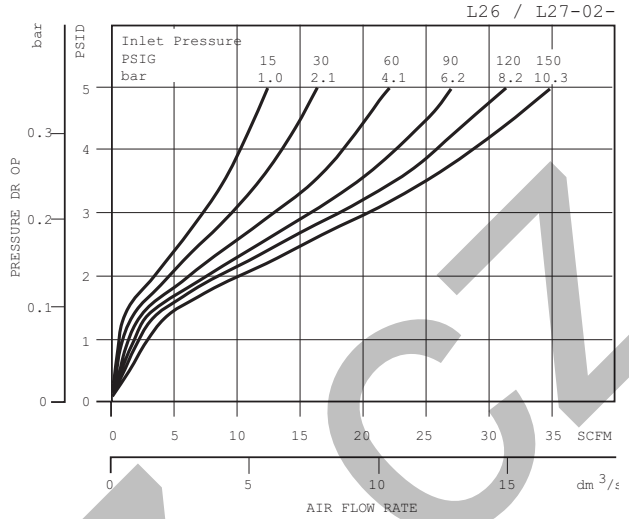
Manual Drain –

Brass Petcock..... GRP-95-182

Plastic Petcock LRP-95-181

Tamper Resistant Kit.....LRP-95-587

Wall Mounting Bracket, L-Type..... GPA-95-946



Ordering Information

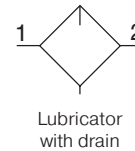
Model Type	Port Size	Polycarbonate Bowl / Bowl Guard	Polycarbonate Bowl / Bowl Guard with Manual Drain	Metal Bowl / Sight Gauge
EconOmist™	1/4	L26-02-000	L26-02-D00	L26-02-G00
	3/8	L26-03-000	L26-03-D00	L26-03-G00
	1/2	L26-04-000	L26-04-D00	L26-04-G00
AtoMist™	1/4	L27-02-000	L27-02-D00	L27-02-G00
	3/8	L27-03-000	L27-03-D00	L27-03-G00
	1/2	L27-04-000	L27-04-D00	L27-04-G00

Options - To order an option supplied with the unit model, add the appropriate coded suffix letter in the designated position of the model number.

Lubricator L90

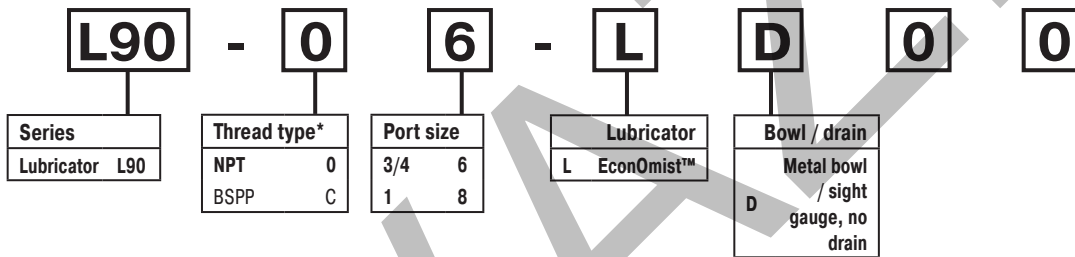
 = "Most Popular"

Symbol



Features

- Integral 3/4" or 1" ports (BSPP & NPT)
- Robust but lightweight aluminum construction
- Proportional oil delivery over a wide range of air flows
- Possible to fill under system pressure eliminating down time
- Large oil reservoir



*Note: For 1-1/2" ported unit, please order P3YKA*BCP port block kit separately.
Bold items are most common.

Ordering information

Port size	Description	Flow † scfm	Max. bar (psig)	Min temp °C (°F)	Max temp °C (°F)	Bowl capacity cm ³ (oz)	Height mm (inches)	Width mm (inches)	Depth mm (inches)	Weight kg (lb)	Part number †
3/4"	Oil mist, fill under pressure	315	17.5 (254)	-10 (14)	60 (140)	500 (16.9)	247 (9.7)	90 (3.5)	94 (3.7)	0.8 (1.8)	L90-06-LD00
1"	Oil mist, fill under pressure	390	17.5 (254)	-10 (14)	60 (140)	500 (16.9)	247 (9.7)	90 (3.5)	94 (3.7)	0.8 (1.8)	L90-08-LD00

† Standard part numbers shown in bold. For other models refer to Options chart above.

‡ Flow with 6.3 bar (91.4 psig) inlet pressure and 0.5 (7.3 psig) pressure drop.

Specifications

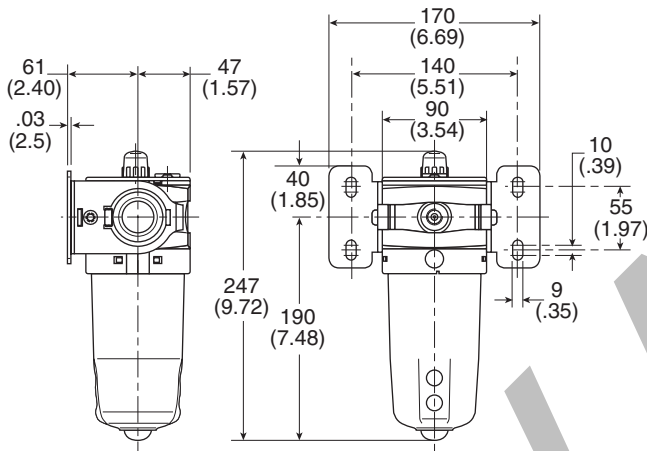
Fluid	Compressed air
Maximum inlet pressure*	17.5 bar (254 psig)
Temperature range*	-10°C to 60°C (14°F to 140°F)

* Air supply must be dry enough to avoid ice formation at temperatures below 2°C (35.6°F).

Low flow start point (lubrication pick-up): at 6.3 bar (91.4 psig) inlet pressure 0.5 dm³/s (1.1 scfm).

Flow with 6.3 bar (91.4 psig) inlet pressure and 0.5 bar (7.3 psig) pressure drop.

Dimensions mm (inches)



Service kits

Bowl kit.....	P3YKA00BSN
Refill plug.....	P3YKA00PL
Lubricator oil.....	F442002

Material specifications

Body	Aluminum
Sight glass	Polypropylene
Sight dome	Polyamide
Lubricator cover	ABS
Top & bottom end cap	Glass filled nylon
Bayonet support	Nylon
Seals	Nitrile NBR

Suggested Lubricant

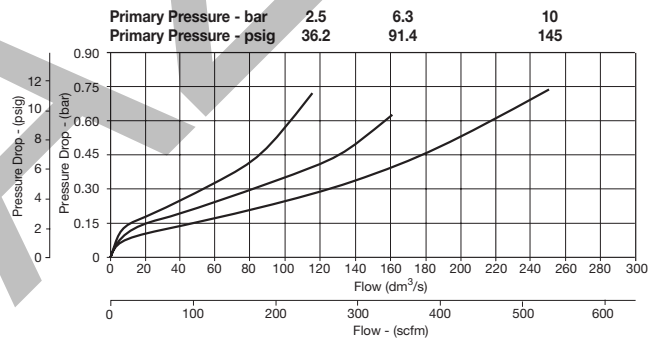
Airline Oil F442001

Petroleum based oil of 100 to 200 SUS viscosity at 100°F and an aniline point greater than 200°F

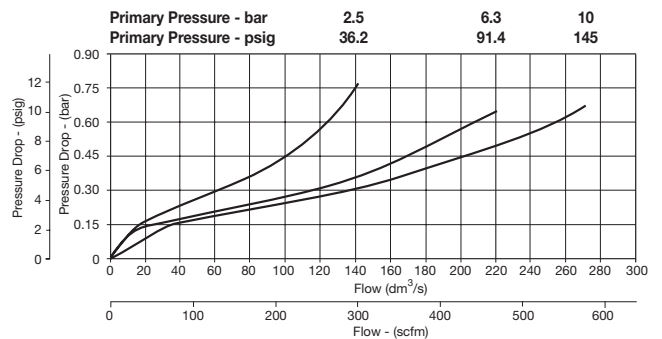
(DO NOT USE OILS WITH ADDITIVES, COMPOUNDED OILS CONTAINING SOLVENTS, GRAPHITE, DETERGENTS, OR SYNTHETIC OILS.)

Flow characteristics

(3/4") Lubricator

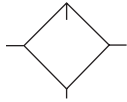


(1") Lubricator



Lubricator L30 EconOmist™

= "Most Popular"



L30-06-000

Features

- Full View Sight Dome
- Siphon Tube Filter Provides Clean Lubricant Downstream
- Quick-Disconnect Clamp Ring for Easy Bowl Removal
- Adjustable Oil Feed
- Standard Transparent Bowl with Metal Bowl Guard
- Optional Petcock in Polycarbonate Bowl
- Can be Filled while Under Pressure

Specifications

Flow Capacity*	3/4 1	196 SCFM (92.4 dm ³ /s) 374 SCFM (176.4 dm ³ /s)
Maximum Supply Pressure	Plastic Bowl Metal Bowl	150 PSIG (10.3 bar) 200 PSIG (13.8 bar)
Operating Temperature	Plastic Bowl Metal Bowl	32° to 125°F (0° to 52°C) 32° to 150°F (0° to 65.5°C)
Port Size	NPT / BSPP-G	3/4, 1
Bowl Capacity		26.0 oz
Weight		5.6 lb. (2.54 kg)

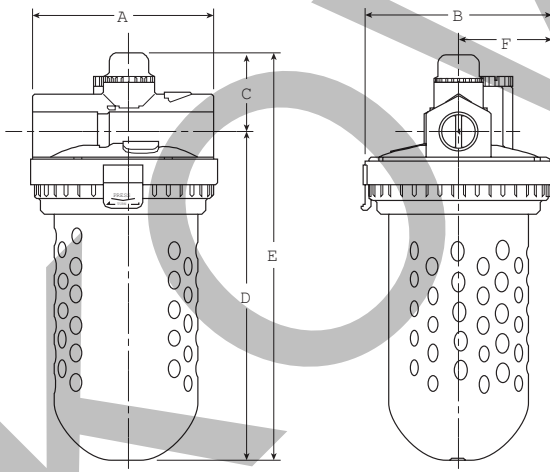
* Inlet pressure 120 PSIG (8.3 bar). Pressure drop 5 PSID (0.3 bar).

Materials of Construction

Body		Zinc
Bowls	Plastic Bowl Metal Bowl	Polycarbonate Aluminum
Seals	Plastic Bowl Metal Bowl	Nitrile Fluorocarbon
Sight Dome		Nylon
Sight Gauge	Metal Bowl	Tempered Safety Glass

Suggested Lubricant

Airline Oil F442001
 Petroleum based oil of 100 to 200 SUS viscosity at 100°F and an aniline point greater than 200°F
 (DO NOT USE OILS WITH ADDITIVES, COMPOUNDED OILS CONTAINING SOLVENTS, GRAPHITE, DETERGENTS, OR SYNTHETIC OILS.)



Dimensions

Models	Inches (mm)	A	B	C	D	E	F
Standard Unit L30-XX-000		4.63 (117)	4.79 (122)	1.98 (50)	8.36 (212)	10.38 (264)	2.40 (61)
Manual Drain L30-XX-D00		4.63 (117)	4.79 (122)	1.98 (50)	8.90 (226)	10.90 (277)	2.40 (61)
Metal Bowl with Sight Gauge L30-XX-G00		4.63 (117)	4.79 (122)	1.98 (50)	8.90 (226)	10.95 (278)	2.40 (61)

= "Most Popular"

Replacement Bowl Kits

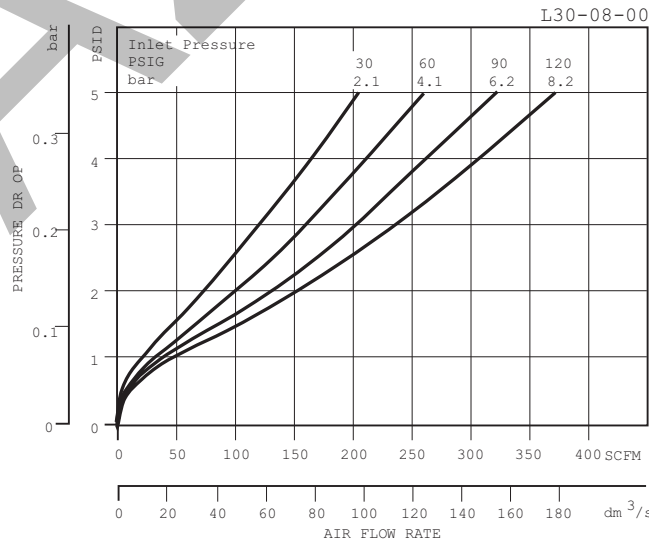
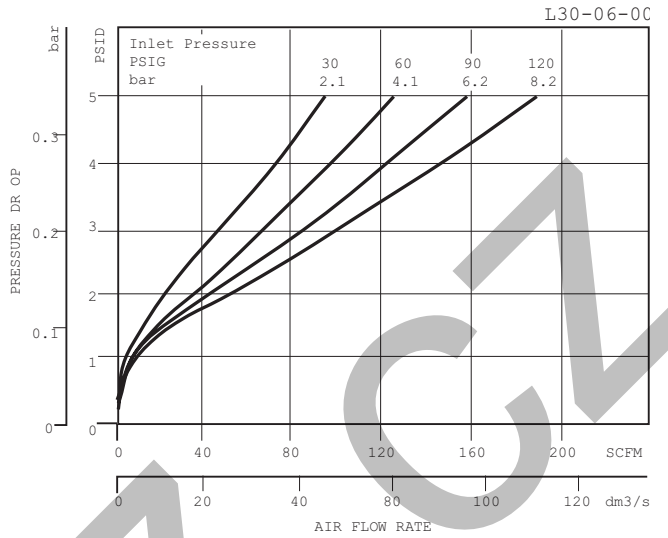
- Metal Bowl / Sight Gauge, Brass Petcock Drain .. GRP-95-676
- Plastic Bowl –
 - Guard, Plastic Petcock DrainLRP-95-830
 - No Drain Port LRP-96-940
 - Plastic Petcock Drain LRP-96-160

Replacement Kits

- Fill Plug Kit – Fill Plug and O-ringLRP-95-253
- Flow Guide –
 - 3/4 NPT / BSPP-G LRP-95-189
 - 1 NPT / BSPP-G LRP-95-190
- Sight Dome Kit – Sight Dome and O-ringLRP-95-249
- Tube, Siphon – Tube and Bronze Filter LRP-96-182

Accessories

- Air Line Oil (1 Qt.).....F442001
- Air Line Oil (1 Gal.)F442002
- Auto-Fill™ Adapter Kit.....LRP-95-698
- Force Fill Adapter GRP-96-394
- Manual Drain –
 - Brass Petcock..... GRP-95-182
 - Plastic Petcock LRP-95-181
- Sight Gauge KitLRP-95-771
- Tamper Resistant Kit.....LRP-95-587
- Wall Mounting Bracket, U-Bolt Pipe Clamp..... GRP-95-734



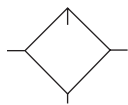
Ordering Information

Model Type	Port Size	Polycarbonate Bowl / Bowl Guard	Polycarbonate Bowl / Bowl Guard with Manual Drain	Metal Bowl / Sight Gauge
EconOmist™	3/4	L30-06-000	L30-06-D00	L30-06-G00
	1	L30-08-000	L30-08-D00	L30-08-G00

Options - To order an option supplied with the unit model, add the appropriate coded suffix letter in the designated position of the model number.

Lubricator L31 EconOmist™

= "Most Popular"



L31-08-000

Features

- Full View Sight Dome
- Siphon Tube Filter Provides Clean Lubricant Downstream
- Adjustable Oil Feed
- Metal Bowl with Sight Gauge Standard
- Manual Drain Standard
- Can be Filled while Under Pressure

Specifications

Flow Capacity*	1	374 SCFM (176.4 dm ³ /s)
Maximum Supply Pressure		200 PSIG (13.8 bar)
Operating Temperature		32° to 150°F (0° to 65.5°C)
Port Size	NPT / BSPP-G	1
Bowl Capacity		96.0 oz
Weight		16.1 lb.(7.3 kg)

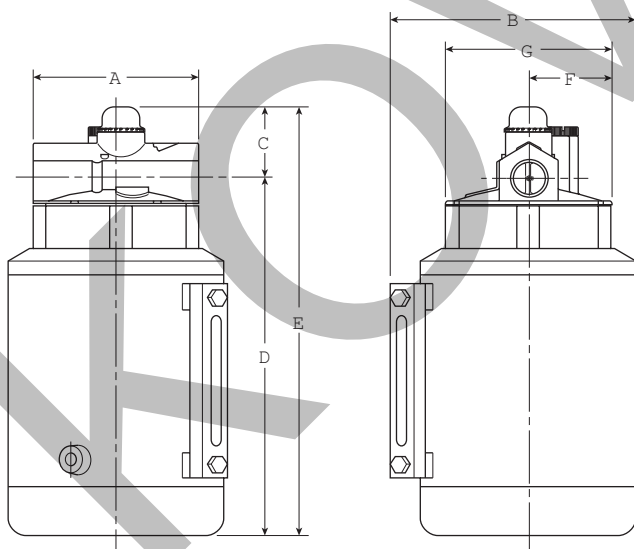
* Inlet pressure 120 PSIG (8.3 bar). Pressure drop 5 PSID (0.3 bar).

Materials of Construction

Body	Zinc
Bowl	Steel (Welded)
Seals	Fluorocarbon
Sight Dome	Nylon
Sight Gauge	Tempered Safety Glass

Suggested Lubricant

Airline Oil F442001
 Petroleum based oil of 100 to 200 SUS viscosity at 100°F and an aniline point greater than 200°F
 (DO NOT USE OILS WITH ADDITIVES, COMPOUNDED OILS CONTAINING SOLVENTS, GRAPHITE, DETERGENTS, OR SYNTHETIC OILS.)



Dimensions

Models	Inches (mm)	A	B	C	D	E	F	G
Standard Unit L31-08-000		4.63 (117)	7.27 (185)	1.98 (50)	9.97 (253)	11.96 (304)	3.00 (76.2)	4.63 (117)

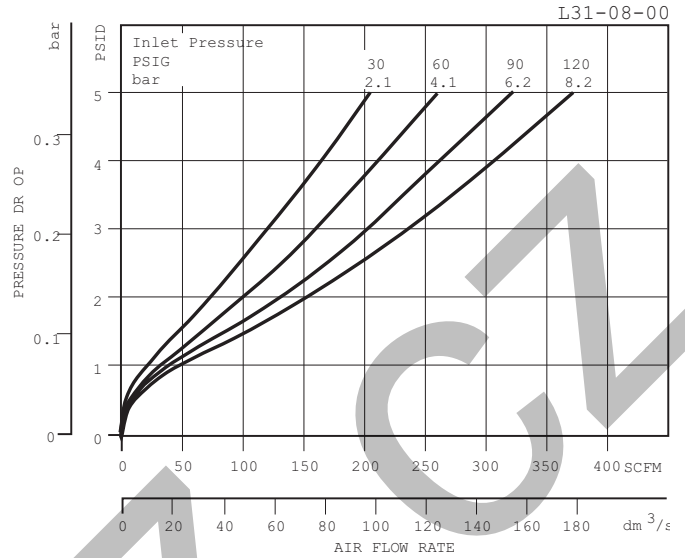
= "Most Popular"

Replacement Kits

- Fill Plug Kit – Fill Plug and O-ringLRP-95-253
- Flow Guide, 1 NPT / BSPP-G LRP-95-190
- Sight Dome Kit – Sight Dome and O-ringLRP-95-249

Accessories

- Air Line Oil (1 Gal.)F442002
- Air Line Oil (4 Gal. Case).....F442005
- Force Fill AdapterGRP-96-394
- Manual Drain, Brass Petcock GRP-95-182
- Tamper Resistant Kit.....LRP-95-587
- Wall Mounting Bracket, U-Bolt Pipe Clamp..... GRP-95-734



Ordering Information

Model Type	Port Size	Metal Bowl with Sight Gauge and Manual Drain
EconOmist™	1	L31-08-000

Options - To order an option supplied with the unit model, add the appropriate coded suffix letter in the designated position of the model number.

Lubricator L40 EconOmist™

 = "Most Popular"



L40-0B-000

Features

- Full View Sight Dome
- Siphon Tube Filter Provides Clean Lubricant Downstream
- Quick-Disconnect Clamp Ring for Easy Bowl Removal
- Adjustable Oil Feed
- Standard Transparent Bowl with Metal Bowl Guard
- Can be Filled while Under Pressure

Specifications

Flow Capacity*	1-1/2	927 SCFM (437 dm ³ /s)
Initial Drip Flow		.95 SCFM
Maximum Supply Pressure		150 PSIG (10.3 bar)
Minimum Flow for Lubrication		1 SCFM @ 100 PSIG
Operating Temperature		32° to 125°F (0° to 52°C)
Port Size	NPT / BSPP-G	1-1/4, 1-1/2
Bowl Capacity		26.0 oz
Weight		9.4 lb. (4.3 kg)

* Inlet pressure 120 PSIG (8.3 bar). Pressure drop 5 PSID (0.3 bar).

Materials of Construction

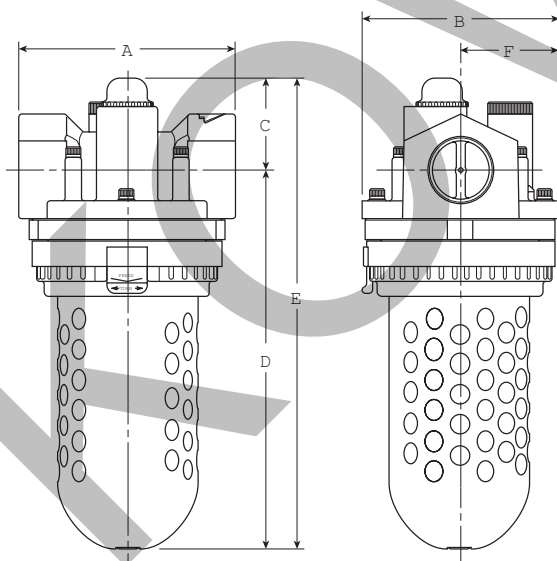
Body	Zinc
Bowl	Polycarbonate
Seals	Nitrile
Sight Dome	Nylon

Suggested Lubricant

Airline Oil F442001

Petroleum based oil of 100 to 200 SUS viscosity at 100°F and an aniline point greater than 200°F

(DO NOT USE OILS WITH ADDITIVES, COMPOUNDED OILS CONTAINING SOLVENTS, GRAPHITE, DETERGENTS, OR SYNTHETIC OILS.)



Dimensions

Models	Inches (mm)	A	B	C	D	E	F
Standard Unit L40-XX-000		5.50 (140)	4.79 (122)	2.27 (58)	9.40 (239)	11.67 (296)	2.40 (61)

= "Most Popular"

Replacement Bowl Kits

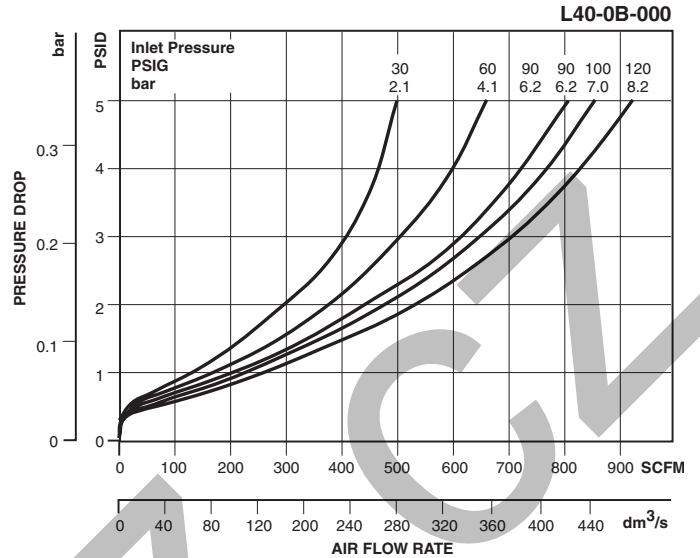
- Metal Bowl –**
 Brass Petcock Drain FRP-95-593
 Sight Gauge, Brass Petcock Drain..... GRP-95-676
- Plastic Bowl –**
 Plastic Petcock Drain LRP-96-160
 Guard, Plastic Petcock Drain LRP-95-830
 No Drain Port LRP-96-940

Replacement Kits

- Fill Plug Kit – Fill Plug and O-ring LRP-95-250
 Sight Dome Kit – Sight Dome and O-ring LRP-95-249
 Tube, Siphon – Tube and Bronze Filter LRP-96-182

Accessories

- Air Line Oil (1 Qt.)..... F442001
 Air Line Oil (1 Gal.) F442002
 Brass Petcock..... GRP-95-182
 Plastic Petcock LRP-95-181
 Tamper Resistant Kit..... LRP-95-587



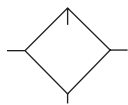
Ordering Information

Model Type	Port Size	Metal Bowl / Sight Gauge / Manual Drain	Polycarbonate Bowl / Bowl Guard	Polycarbonate Bowl / Bowl Guard / Manual Drain
EconOmist™	1-1/2	L40-0B-G00	L40-0B-000	L40-0B-D00

Options - To order an option supplied with the unit model, add the appropriate coded suffix letter in the designated position of the model number.

Lubricator L41 EconOmist™

 = "Most Popular"



L41-0B-000

Features

- Full View Sight Dome
- Siphon Tube Filter Provides Clean Lubricant Downstream
- Adjustable Oil Feed
- Can be Filled while Under Pressure

Specifications

Flow Capacity*	1-1/2	927 SCFM (437 dm ³ /s)
Maximum Supply Pressure		200 PSIG (13.8 bar)
Operating Temperature		32° to 150°F (0° to 65.5°C)
Port Size	NPT / BSPP-G	1-1/4, 1-1/2
Bowl Capacity		96.0 oz
Weight		16.3 lb. (7.4 kg)

* Inlet pressure 120 PSIG (8.3 bar). Pressure drop 5 PSID (0.3 bar).

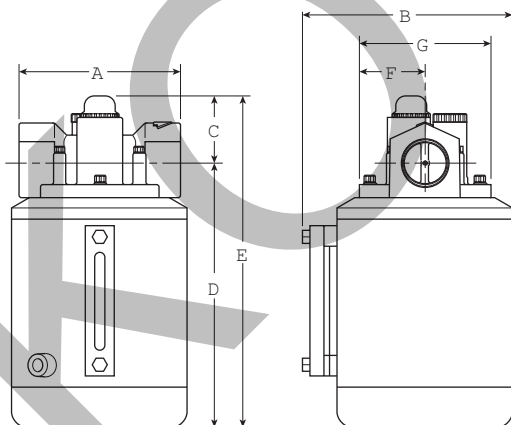
Materials of Construction

Body	Zinc
Bowl	Steel (Welded)
Seals	Fluorocarbon
Sight Dome	Nylon
Sight Gauge	Tempered Safety Glass

Suggested Lubricant

Airline Oil F442001

Petroleum based oil of 100 to 200 SUS viscosity at 100°F and an aniline point greater than 200°F (DO NOT USE OILS WITH ADDITIVES, COMPOUNDED OILS CONTAINING SOLVENTS, GRAPHITE, DETERGENTS, OR SYNTHETIC OILS.)



Dimensions

Models	Inches (mm)	A	B	C	D	E	F	G
Standard Unit L41-XX-000		5.50 (140)	7.19 (183)	2.28 (58)	9.03 (229)	11.31 (287)	3.00 (76.2)	4.50 (1147)

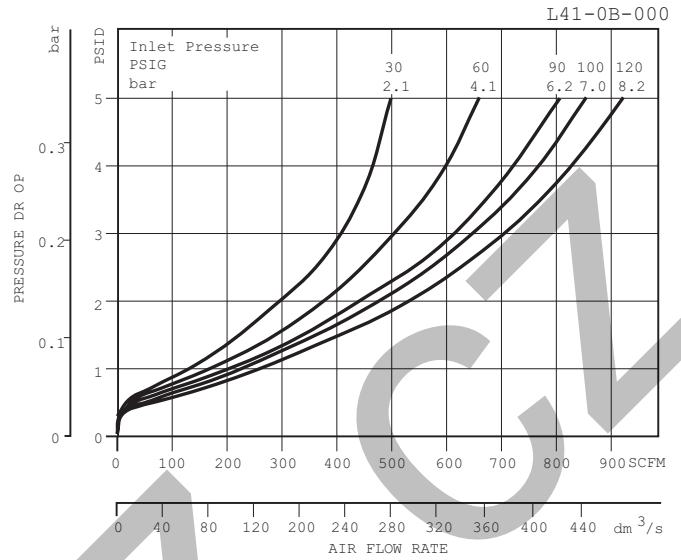
= "Most Popular"

Replacement Kits

- Fill Plug Kit – Fill Plug and O-ringLRP-95-250
- Flow Guide LRP-95-251
- Sight Dome Kit – Sight Dome and O-ringLRP-95-249

Accessories

- Air Line Oil (1 Gal.)F442002
- Air Line Oil (4 Gal. Case).....F442005
- Manual Drain, Brass Petcock GRP-95-182
- Tamper Resistant Kit.....LRP-95-587



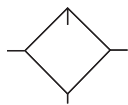
Ordering Information

Model Type	Port Size	Metal Bowl / Sight Gauge
EconOmist™	1-1/2	L41-0B-000

Options - To order an option supplied with the unit model, add the appropriate coded suffix letter in the designated position of the model number.

Lubricator L42 EconOmist™

= "Most Popular"



L42-0B-000

Features

- Full View Sight Dome
- Siphon Tube Filter Provides Clean Lubricant Downstream
- Adjustable Oil Feed
- Can be Filled while Under Pressure

Specifications

Flow Capacity*	1-1/2	927 SCFM (437 dm ³ /s)
Maximum Supply Pressure		200 PSIG (13.8 bar)
Operating Temperature		32° to 150°F (0° to 65.5°C)
Port Size	NPT / BSPP-G	1-1/4, 1-1/2
Bowl Capacity		208.0 oz
Weight		22.5 lb. (10.2 kg)

* Inlet pressure 120 PSIG (8.3 bar). Pressure drop 5 PSID (0.3 bar).

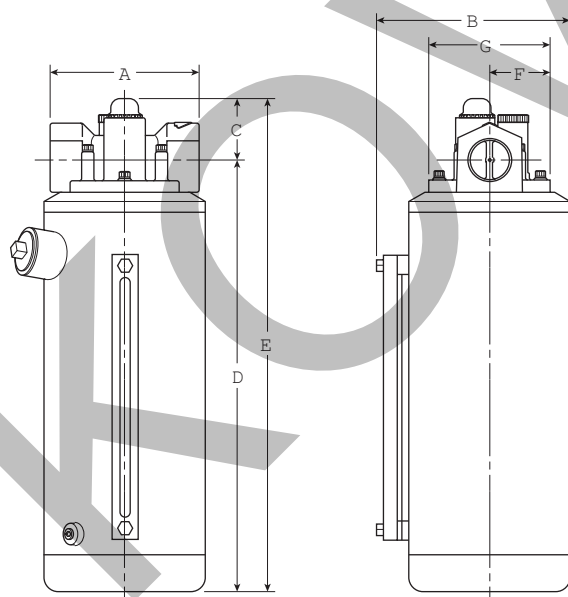
Materials of Construction

Body	Zinc
Bowls	Steel (Welded)
Seals	Fluorocarbon
Sight Dome	Nylon
Sight Gauge	Tempered Safety Glass

Suggested Lubricant

Airline Oil F442001

Petroleum based oil of 100 to 200 SUS viscosity at 100°F and an aniline point greater than 200°F
(DO NOT USE OILS WITH ADDITIVES, COMPOUNDED OILS CONTAINING SOLVENTS, GRAPHITE, DETERGENTS, OR SYNTHETIC OILS.)



Dimensions

Models	Inches (mm)	A	B	C	D	E	F	G
Standard Unit L42-XX-000		5.50 (140)	7.19 (183)	2.28 (58)	16.01 (407)	18.29 (465)	3.00 (76.2)	4.50 (114)

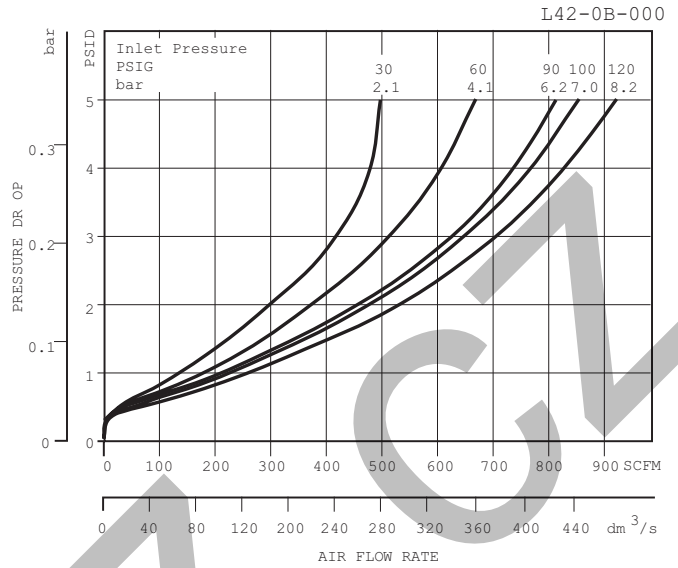
L42-0B-000 = "Most Popular"

Replacement Kits

- Fill Plug Kit – Fill Plug and O-ringLRP-95-250
- Flow GuideLRP-95-251
- Sight Dome Kit – Sight Dome and O-ringLRP-95-249

Accessories

- Air Line Oil (4 Gal. Case).....F442005
- Force Fill AdapterLRP-96-420
- Manual Drain, Brass Petcock GRP-95-182
- Tamper Resistant Kit.....LRP-95-587



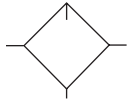
Ordering Information

Model Type	Port Size	Metal Bowl / Sight Gauge
EconOmist™	1-1/2	L42-0B-000

Options - To order an option supplied with the unit model, add the appropriate coded suffix letter in the designated position of the model number.

Lubricator L50 EconOmist™

 = "Most Popular"



L50-0C-000

Features

- Full View Sight Dome
- Siphon Tube Filter Provides Clean Lubricant Downstream
- Quick-Disconnect Clamp Ring for Easy Bowl Removal
- Adjustable Oil Feed
- Standard Transparent Bowl with Metal Bowl Guard
- Can be Filled while Under Pressure

Specifications

Flow Capacity*	2	1186 SCFM (560 dm ³ /s)
Maximum Supply Pressure	Plastic Bowl	150 PSIG (10.3 bar)
	Metal Bowl	200 PSIG (13.8 bar)
Operating Temperature	Plastic Bowl	32° to 125°F (0° to 52°C)
	Metal Bowl	32° to 150°F (0° to 65.5°C)
Port Size	NPT / BSPP-G 2	
Bowl Capacity	26.0 oz	
Weight	10.2 lb. (4.6 kg)	

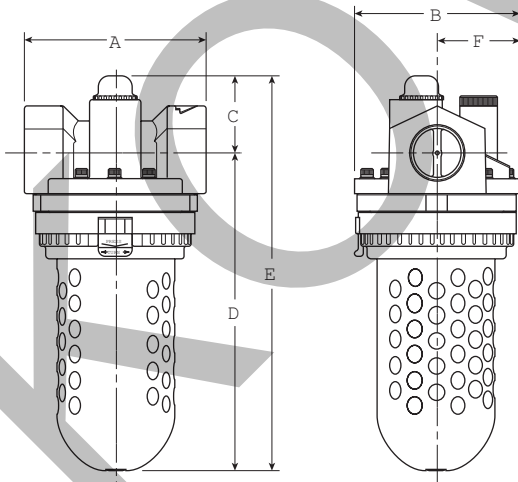
* Inlet pressure 120 PSIG (8.3 bar). Pressure drop 5 PSID (0.3 bar).

Materials of Construction

Body	Zinc	
Bowls	Plastic Bowl	Polycarbonate
	Metal Bowl	Aluminum
Seals	Plastic Bowl	Nitrile
	Metal Bowl	Fluorocarbon
Sight Dome	Nylon	
Sight Gauge	Metal Bowl	Tempered Safety Glass

Suggested Lubricant

Airline Oil F442001
 Petroleum based oil of 100 to 200 SUS viscosity at 100°F and an aniline point greater than 200°F
 (DO NOT USE OILS WITH ADDITIVES, COMPOUNDED OILS CONTAINING SOLVENTS, GRAPHITE, DETERGENTS, OR SYNTHETIC OILS.)



Dimensions

Models	Inches (mm)	A	B	C	D	E	F
Standard Unit L50-0C-000		5.50 (140)	5.00 (127)	2.64 (67)	9.68 (246)	12.32 (313)	2.50 (64)

= "Most Popular"

Replacement Bowl Kits

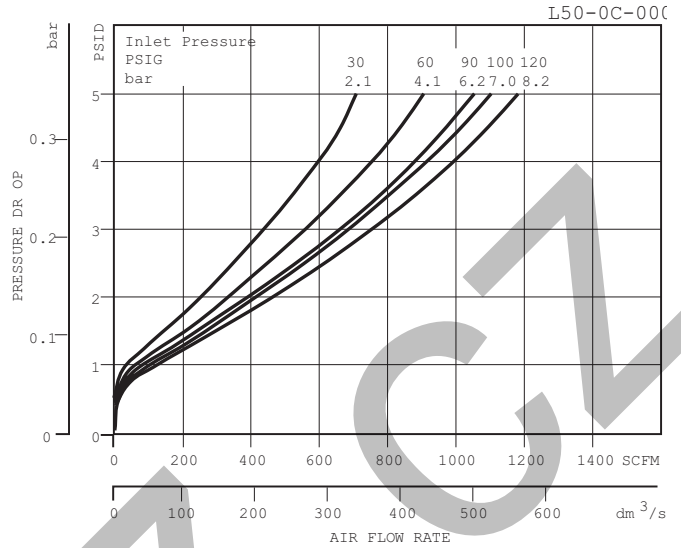
- Metal Bowl / Sight Gauge, Brass Petcock Drain .. GRP-95-676
- Plastic Bowl –
 - Plastic Petcock Drain LRP-96-160
 - Guard, Plastic Petcock Drain LRP-95-830
 - No Drain Port LRP-96-940

Replacement Kits

- Fill Plug Kit – Fill Plug and O-ring LRP-95-250
- Flow Guide LRP-95-252
- Sight Dome Kit – Sight Dome and O-ring LRP-95-249
- Tube, Siphon – Tube and Bronze Filter LRP-96-182

Accessories

- Air Line Oil (1 Qt.)..... F442001
- Air Line Oil (1 Gal.) F442002
- Manual Drain –
 - Brass Petcock..... GRP-95-182
 - Plastic Petcock LRP-95-181
- Tamper Resistant Kit..... LRP-95-587



Ordering Information

Model Type	Port Size	Polycarbonate Bowl / Bowl Guard	Metal Bowl / Sight Gauge
EconOmist™	2	L50-0C-000	L50-0C-G00

Options - To order an option supplied with the unit model, add the appropriate coded suffix letter in the designated position of the model number.