



aerospace
climate control
electromechanical
filtration
fluid & gas handling
hydraulics
pneumatics
process control
sealing & shielding



Pneumatic Rotary Actuators

Series PRO - PRN

Catalogue PDE2502TCUK April 2011



ENGINEERING YOUR SUCCESS.



Rotary actuators are an efficient and easy way to generate torque from compressed air, in a very compact size. They are ideal for the compact applications in a wide range of industries such as, packaging, process, electronics etc.

Wide range

A full range of 9 sizes is available, the 8 largest sizes are single or double vane type (with double effective torque). For the PRN High Torque, a series of customized cushion units (CRN) are available for high energy applications.

Easy-to-use oscillating angles

Two oscillation reference points of 45° and 90° and three oscillating angles of 90° 180° and 270° are featured on the PRN ranges to match the most frequently uses. On the PRO range, the oscillation angle can be adjusted to the exact requirement.

Stable operation

The unique sealing design minimises leakages. It assures low speed oscillation and stable, smooth operation even at low operating pressures and speeds.

Durability to high operating temperatures

Dry dehumidified air may supply the rotary actuators within operating temperature range of -5°C to 80°C (PRN range -5°C to +60°C).

Outstanding durability

A solid vane shaft and built-in damper are combined with a unique sealing design to ensure outstanding durability. PRN50 and higher models are able to operate much greater loads with the incorporation of a Hydro-cushion.

Contents

General information.....2
 PRO Adjustable Oscillating Angle.....4
 PRN Miniature range12
 PRN High Torque range20
 CRN Hydro-cushion for PRN High Torque.....25
 Selecting a Rotary Actuator28
 Common instructions.....30

Important !
 Before attempting any external or internal work on the actuator or any connected component, make sure the actuator is vented and disconnect the air supply in order to ensure insulation of the air supply.

Note !
Air quality is essential for maximum cylinder life (please refer to ISO 8573).

Note !
All technical data in this catalogue are typical data only.

! WARNING

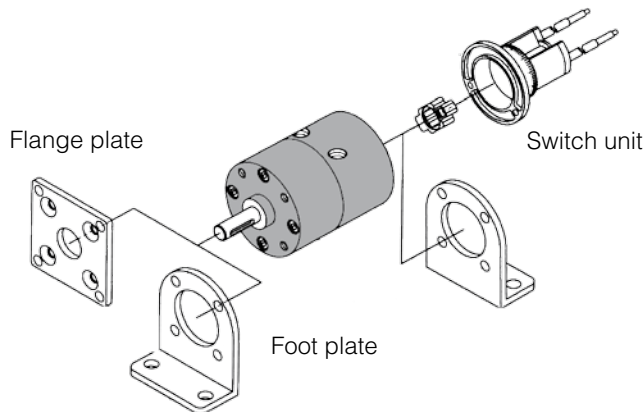
FAILURE OR IMPROPER SELECTION OR IMPROPER USE OF THE PRODUCTS AND/OR SYSTEMS DESCRIBED HEREIN OR RELATED ITEMS CAN CAUSE DEATH, PERSONAL INJURY AND PROPERTY DAMAGE.

This document and other information from Parker Hannifin Corporation, its subsidiaries and authorized distributors provide product and/or system options for further investigation by users having technical expertise. It is important that you analyze all aspects of your application and review the information concerning the product or system in the current product catalog. Due to the variety of operating conditions and applications for these products or systems, the user, through its own analysis and testing, is solely responsible for making the final selection of the products and systems and assuring that all performance, safety and warning requirements of the application are met. The products described herein, including without limitation, product features, specifications, designs, availability and pricing, are subject to change by Parker Hannifin Corporation and its subsidiaries at any time without notice.

SALE CONDITIONS

The items described in this document are available for sale by Parker Hannifin Corporation, its subsidiaries or its authorized distributors. Any sale contract entered into by Parker will be governed by the provisions stated in Parker's standard terms and conditions of sale (copy available upon request).

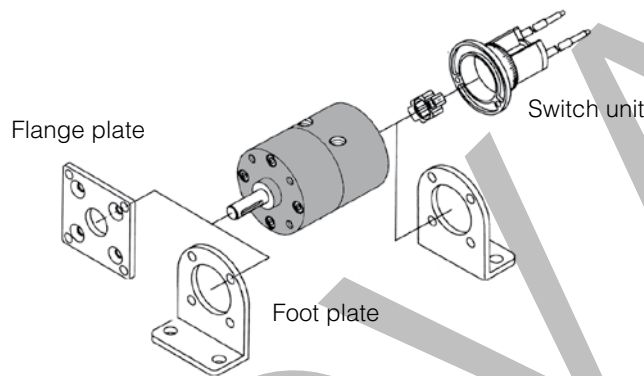
PRO Miniature Rotary Actuators (adjustable oscillating angle)



Vane	Model	Effective torque (N.cm at 6 bar)
Single vane	PROA3S	38
	PROA10S	120
	PROA20S	210
	PRO30SE	410
Double Vane	PROA3D	86
	PROA10D	254
	PROA20D	470
	PRO30DE	950

Refer page 4

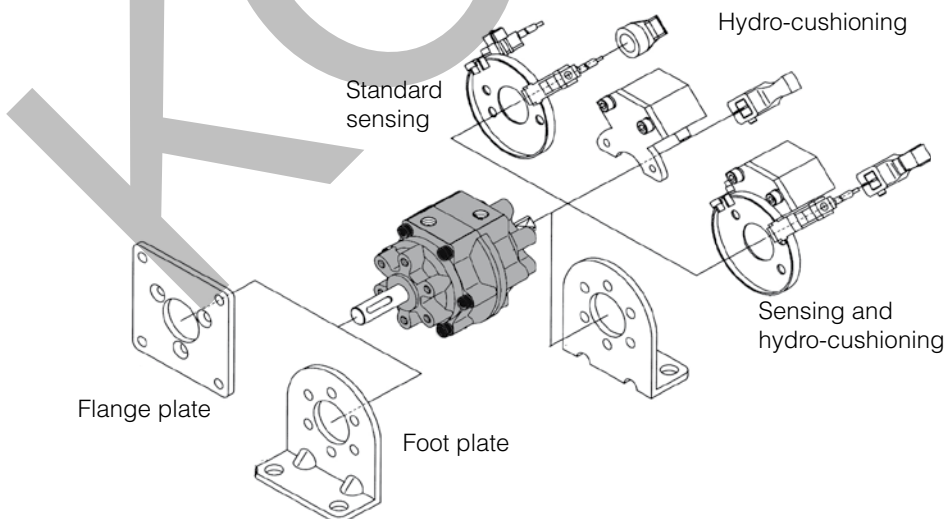
PRN Miniature Rotary Actuators (fixed oscillating angle)



Vane	Model	Effective torque (N.cm at 6 bar)
Single vane	PRNA1S	15,6
	PRNA3S	38
	PRNA10S	120
	PRNA20S	210
	PRN30SE	410
Double Vane	PRNA1D	34,7
	PRNA3D	86
	PRNA10D	254
	PRNA20D	470
	PRN30DE	950

Refer page 12

PRN High Torque (fixed oscillating angle)



Vane	Model	Effective torque (N.cm at 6 bar)
Single vane	PRN50SE	590
	PRN150SE	1800
	PRN300SE	3450
	PRN800SE	12300
Double Vane	PRN50DE	1280
	PRN150DE	4150
	PRN300DE	8300
	PRN800DE	24700

Refer page 20

PRO Miniature series - Adjustable oscillating angle - Order Codes

Standard models



Order code	Torque at 6 bar (N.cm)	Oscillating angle
Single vane		
PROA3S-0-90	38	30 to 180°
PROA10S-0-90	120	30 to 180°
PROA20S-0-90	210	30 to 180°
PRO30SE-0-45	410	30 to 270°
Double vane		
PROA3D-0-45	86	30 to 90°
PROA10D-0-45	254	30 to 90°
PROA20D-0-45	470	30 to 90°
PRO30DE-0-45	950	30 to 90°

How to select a PRO rotary actuator ? Refer page 28

Note : Rotary actuators with variable oscillating angle are shipped with fixed reference point stopper. The angle setting stopper is attached but not fixed. This must be fixed securely before use.

Oscillation starting point and oscillation angle

PROA3S, PROA10S, PROA20S
Oscillating reference point at 90°

PRO30SE
Oscillating reference point at 45°

PROA3D, PROA10D, PROA20D, PRO30DE
Oscillating reference point at 45°

Rotary Actuator mountings

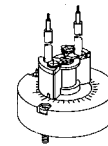


For Rotary Actuator	Flange mounting	Foot mounting
PROA3S/D	PRN3-P	PRN3-L
PROA10S/D	PRN10-P	PRN10-L
PROA20S/D	PRN20-P	PRN20-L
PRO30SE/DE	PRN30-P	PRN30-L

The mountings are provided with set screws

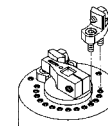
Switch units

Variable switch position, solid state NPN or PNP. Refer to page 5 for technical data.



For Rotary Actuator	NPN	PNP
PROA3S/D	FR-3PRO	FP-3PRO
PROA10S/D	FR-10PRO	FP-10PRO
PROA20S/D	FR-20PRO	FP-20PRO
PRO30SE/DE	FR-30PRO	FP-30PRO

Protective cover and stopper unit



For Rotary Actuator	Protective cover	Stopper unit
PROA3S/D	PRO3-K	RO3-U
PROA10S/D	PRO10-K	RO10-U
PROA20S/D	PRO20-K	RO20-U
PRO30SE/DE	PRO30-K	RO30-U

Maintenance kits

The maintenance kit consists in the vane shaft, shoe seal and shaft O'rings

For Rotary Actuator		Double vane	
Single vane			
PROA3S	PRNA3S-PS	PROA3D	PRNA3D-PS
PROA10S	PRNA10S-PS	PROA10D	PRNA10D-PS
PROA20S	PRNA20S-PS	PROA20D	PRNA20D-PS
PRO30SE	PRN30S-PS	PRO30DE	PRN30D-PS

PRO Miniature series - Adjustable oscillating angle - Technical data

Technical specification

PRO Rotary Actuators	Unit	PROA3S	PROA10S	PROA20S	PRO30SE
Vane		Single vane			
Air condition		Filtered (5µ) lubricated or non-lubricated			
Oscillating angle	°	30 to 180	30 to 180	30 to 180	30 to 270
Oscillating reference point	°	90	90	90	45
Port size		M5	M5	M5	G1/8
Minimum operating pressure	bar	1,0	1,0	0,8	1,0
Operating pressure	bar	2 to 7	2 to 7	2 to 10	2 to 10
Operating temperature	°C	-5 to 80	-5 to 80	-5 to 80	-5 to 60
Maximum operating frequency	cycles/mn	150 (at 180°)	150 (at 180°)	120 (at 180°)	90 (at 270°)
Internal volume	cm ³	4	12	21	43
Allowable radial load	N	40	50	300	400
Allowable thrust load	N	4	4	25	30
Allowable energy	mJ	1	2	3	7
Weight	kg	0,085	0,170	0,280	0,510

PRO Rotary Actuators	Unit	PROA3D	PROA10D	PROA20D	PRO30DE
Vane		Double vane			
Air condition		Filtered (5µ) lubricated or non-lubricated			
Oscillating angle	°	30 to 90	30 to 90	30 to 90	30 to 90
Oscillating reference point	°	45	45	45	45
Port size		M5	M5	M5	G1/8
Minimum operating pressure	bar	0,7	0,7	0,6	0,8
Operating pressure	bar	2 to 7	2 to 7	2 to 10	2 to 10
Operating temperature	°C	-5 to 80	-5 to 80	-5 to 80	-5 to 60
Maximum operating frequency	cycles/mn	240 (at 90°)	240 (at 90°)	180 (at 90°)	180 (at 90°)
Internal volume	cm ³	2,8	8,1	15	34
Allowable radial load	N	40	50	300	400
Allowable thrust load	N	4	4	25	30
Allowable energy	mJ	1	2	3	7
Weight	kg	0,087	0,180	0,290	0,530

Notes :

- The allowable energy differs from that of PRN series.
- Maximum operating frequency is given at 5 bar operating pressure (unloaded).
- Make sure to use the PRO rotary actuators within the allowable energy. Check if the required energy is lower than the allowable energy. If not, use end stoppers directly on the load.
- The PRO with keyways are provided with keys.

Materials specification

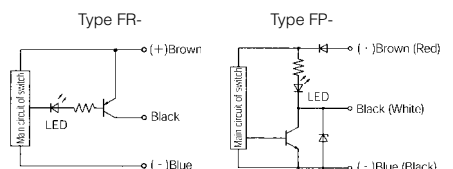
PRO	PROA3, PROA10, PROA20	PRO30
Body	Aluminium alloy	Aluminium alloy
Solid vane shaft	Steel + resin + Hydr. Nitrile	Steel + resin + Nitrile
Shoe	Resin	Resin
Shoe seal	Hydrogenated Nitrile	Nitrile
O-ring	Hydrogenated Nitrile	Nitrile
Screws, claw, stoppers, locknut	Steel	Steel

Switch units specification

Switch unit type	FR-	FP-
Application	Relay, PLC, IC circuit	
Output method	NPN	PNP
Mounting	Switch position adjustable	
Operating voltage	DC5-30V	DC10-30V
Operating current	5 to 200mA	5 to 200mA
Indicating lamp	Lights up at ON	
Consumption	20mA at 24V	14mA at 24V 10mA at 12V
		7mA at 12V 4mA at 5V
Max.leakage current	10 µA	
Internal voltage drop	1,5 V	
Average operating time	1 ms	
Shock resistance	490m/s ²	
Operating temperature	5 to 60°C	
Protection	IP67	
Lead wire	1 m, 3 core, oil resistant	
Response range	23°±7°	
Hysteresis	Approx. 2°	

Effective torque (N.cm)

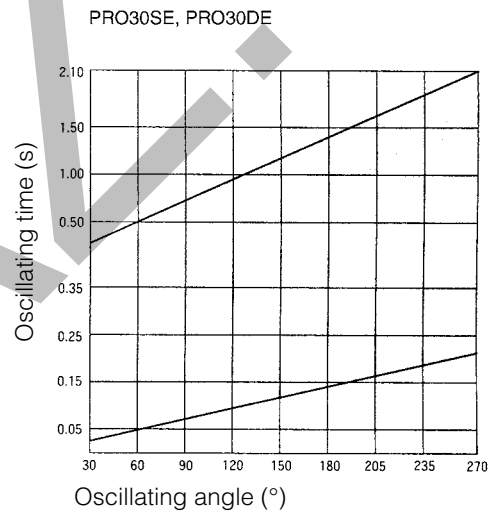
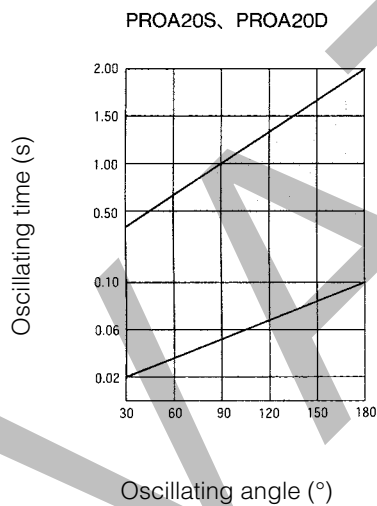
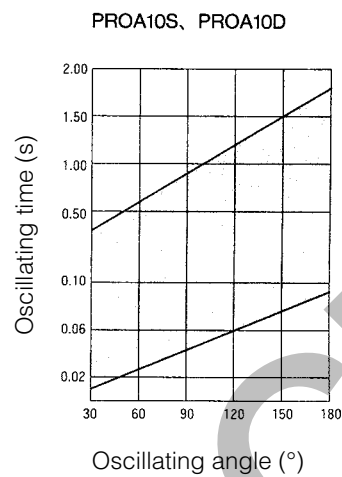
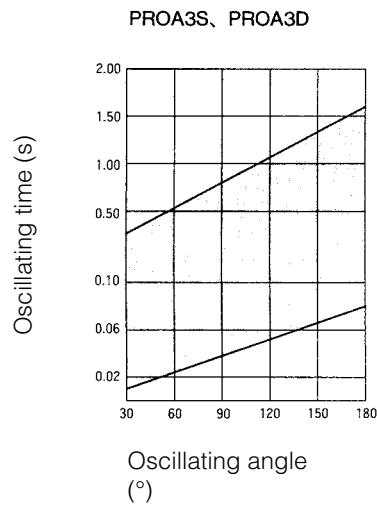
Model n°	Operating pressure (bar)									
	2	3	4	5	6	7	8	9	10	
Single vane PROA3S	10	17	24	31	38	45	-	-	-	
PROA10S	35	56	75	98	120	139	-	-	-	
PROA20S	59	95	133	170	210	249	287	326	368	
PRO30SE	110	180	250	319	410	480	580	650	720	
Double vane PROA3D	25	39	54	71	86	101	-	-	-	
PROA10D	76	117	162	211	254	303	-	-	-	
PROA20D	140	222	306	388	470	553	633	717	807	
PRO30DE	270	440	600	770	950	1120	1299	1480	1660	



PRO Miniature series - Adjustable oscillating angle - Technical data (cont)

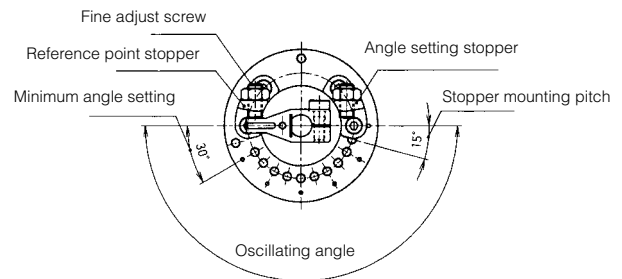
Oscillating time range

Note : The PRO rotary actuators must be operated within the range of the charts shown; otherwise, they exhibit a stick-slip motion.



Setting the oscillation angle

The rotary actuators are delivered with the reference point stopper fixed and the angle setting stopper non fixed. The angle setting stopper has to be set in position according to the angle required, it can be attached at intervals of 15°.



Oscillating angle setting and external stopper specifications

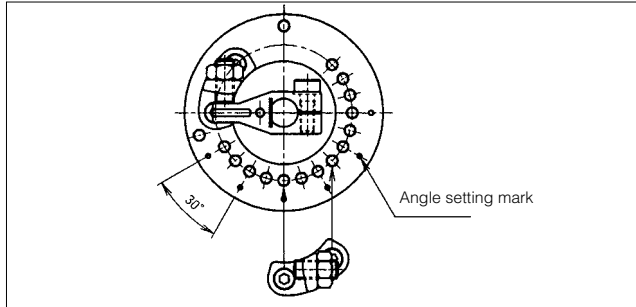
Model n°	PROA3S	PROA10S	PROA20S	PRO30SE	PROA3D	PROA10D	PROA20D	PRO30DE
Oscillation angle setting range	30 to 180°	30 to 180°	30 to 180°	30 to 270°	30 to 90°	30 to 90°	30 to 90°	30 to 90°
Oscillating reference point	90°	90°	90°	45°	45°	45°	45°	45°
Minimum angle setting	30°	30°	30°	30°	30°	30°	30°	30°
Maximum angle setting	180°	180°	180°	270°	90°	90°	90°	90°
Pitch for angle setting	15°	15°	15°	15°	15°	15°	15°	15°
Fine adjustment range								
Angle	-9° to +6°	-9° to +6°	-9° to +6°	-9° to +6°	-9° to +6°	-9° to +6°	-9° to +6°	-9° to +6°
Oscillating ref point	±3°	±3°	±3°	±3°	-1° to +3°	±3°	±3°	±3°
At max angle setting	-9° to +6°	-9° to +6°	-9° to +6°	-9° to +3°	-9° to +1°	-9° to +3°	-9° to +3°	-9° to +3°

PRO Miniature series - Adjustable oscillating angle

Setting the oscillation angle (cont.)

When the angle setting equals the stopper mounting pitch (15°)

1. Place the stopper into the tapped hole corresponding to the intended angle and fix it. When mounting the stopper, use the angle setting marks provided every 30°, near the tapped hole.



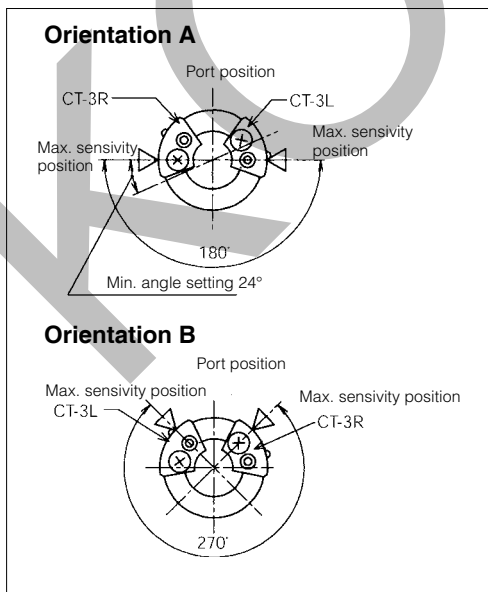
2. Then, rotate the fine adjust screws on the reference point stopper and the angle setting stopper until the correct angle is obtained. After completing the angle setting, the locknut must be tightened.

Angle fine adjustment range :
 Refer to the table page 6.

Switch mounting orientation

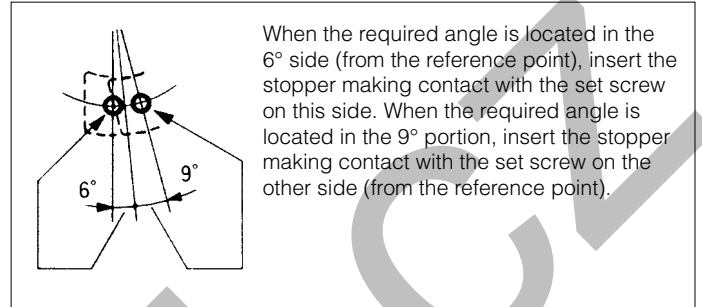
The 2 types of switches (-3L and -3R) included in the switch unit have to be oriented in accordance to the table and diagrams herebelow :

Oscillating angle	Orientation of switches
30° to 186°	A
187° to 270°	B



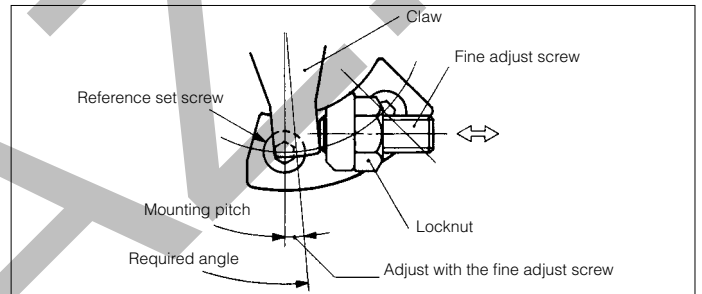
When the angle setting lies between two 15° stops

1. When the required angle lies between two 15° stops, fix the stopper into the tapped holes as shown in the diagram herebelow.



When the required angle is located in the 6° side (from the reference point), insert the stopper making contact with the set screw on this side. When the required angle is located in the 9° portion, insert the stopper making contact with the set screw on the other side (from the reference point).

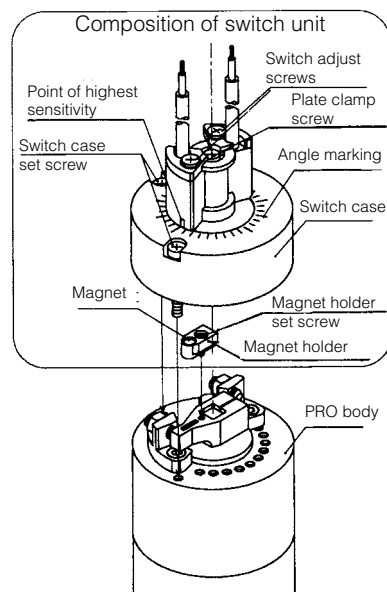
2. Then, rotate the fine adjust screw fitted to the stopper to obtain the required angle. After completing the angle setting, the locknut must be tightened.



Setting the switch position

Mount the switch unit on the body using the set of screws. For clamping torque, refer to the table below

Model	Clamping torque (N.cm)
PROA3S/D	6 to 10
PROA10S/D	10 to 20
PROA20S/D and PRO30SE/DE	20 to 30

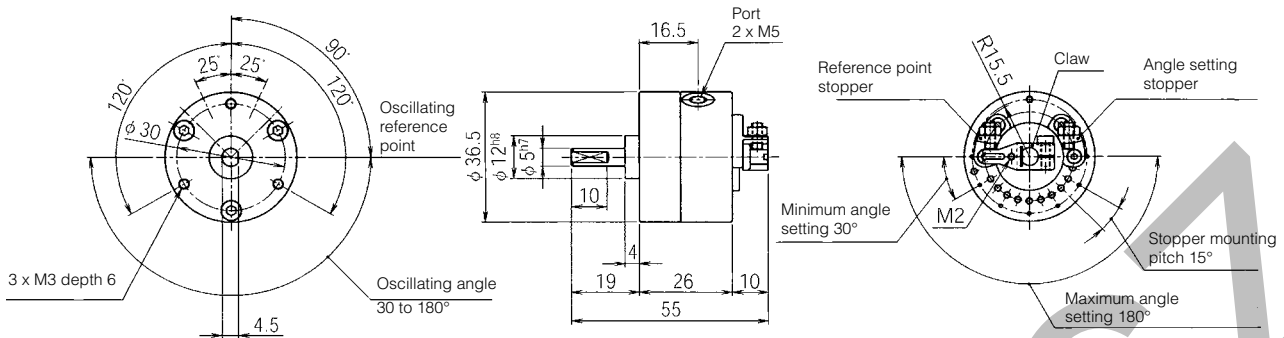


Adjusting the switch position
 Loosen the switch adjust screws, make the point, at which the highest sensitivity is obtained, match with the angle marking equivalent to the actuator setting, and retighten the switch adjust screws torque of 40 to 50 N.cm. Since the angle markings are provided just for reference, make a final adjustment by checking if the LED is on.

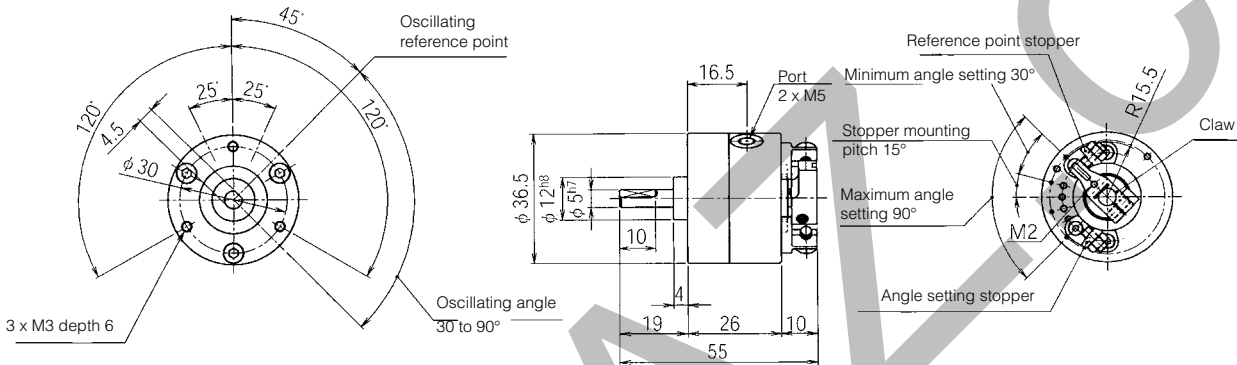
Replacing the switch
 To remove the switch, remove the switch adjust screws and plate clamp screw. To mount a switch, reverse the procedure for removal. Adjust the switch position after completion of mounting.

PRO Miniature series - Adjustable oscillating angle - Dimensions (mm)

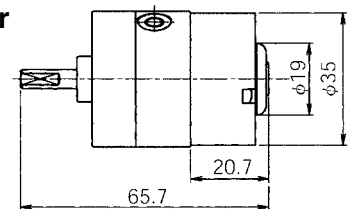
PROA3S



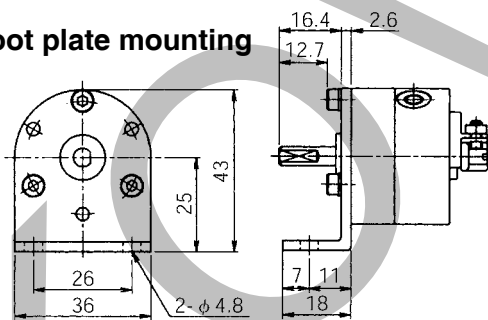
PROA3D



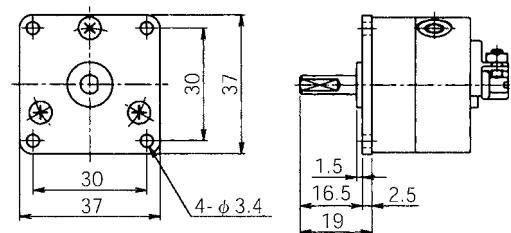
With protection cover



With foot plate mounting



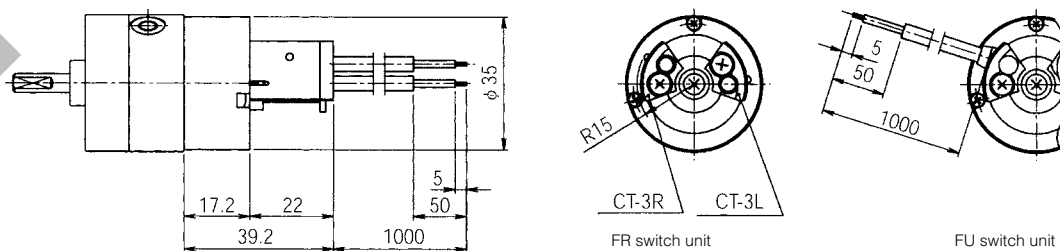
With flange plate mounting



Note : A foot plate can be fitted turned by steps of 60° from the original position

Note : A flange plate can be fitted turned by steps of 120° from the original position

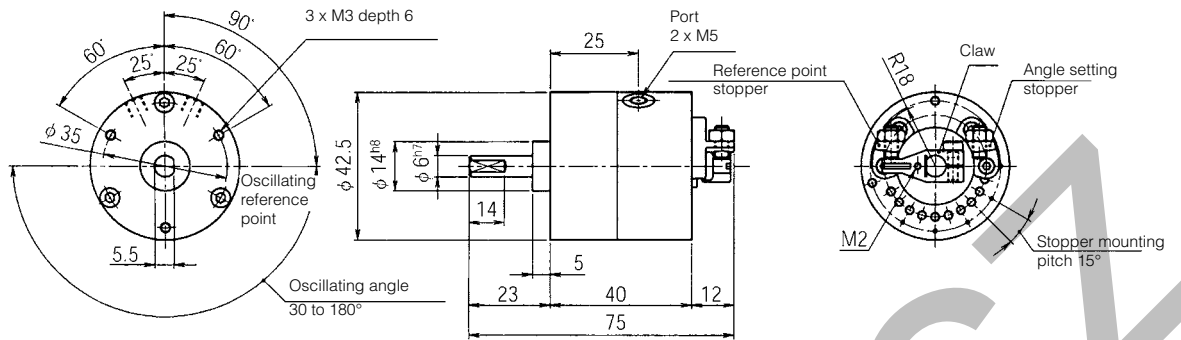
With switch unit (variable switch position)



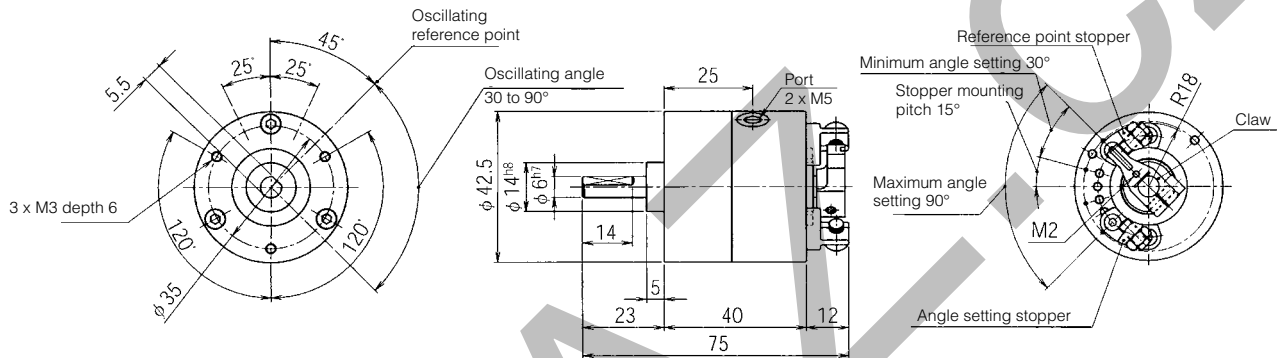
Note : For switch unit-mounting hardware combinations, refer to the required dimensions in each fig.

PRO Miniature series - Adjustable oscillating angle - Dimensions (mm)

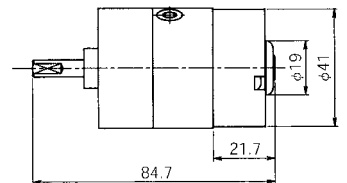
PROA10S



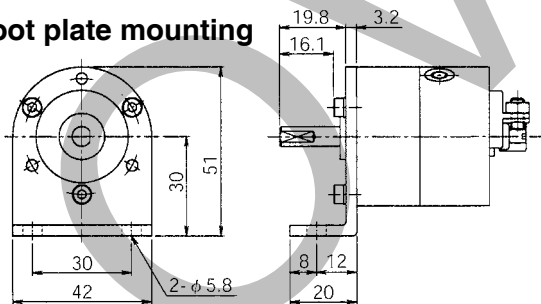
PROA10D



With protection cover

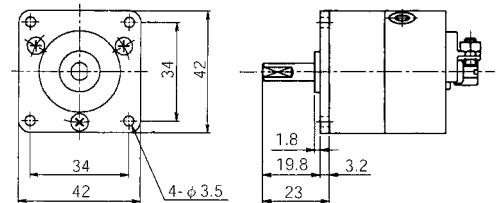


With foot plate mounting



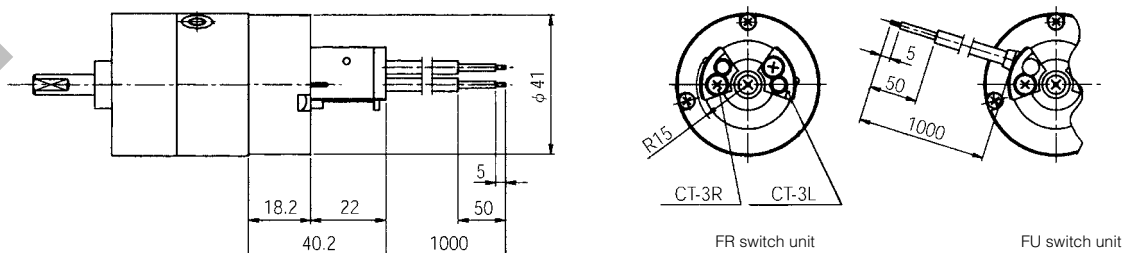
Note : A foot plate can be fitted turned by steps of 60° from the original position

With flange plate mounting



Note : A flange plate can be fitted turned by steps of 120° from the original position

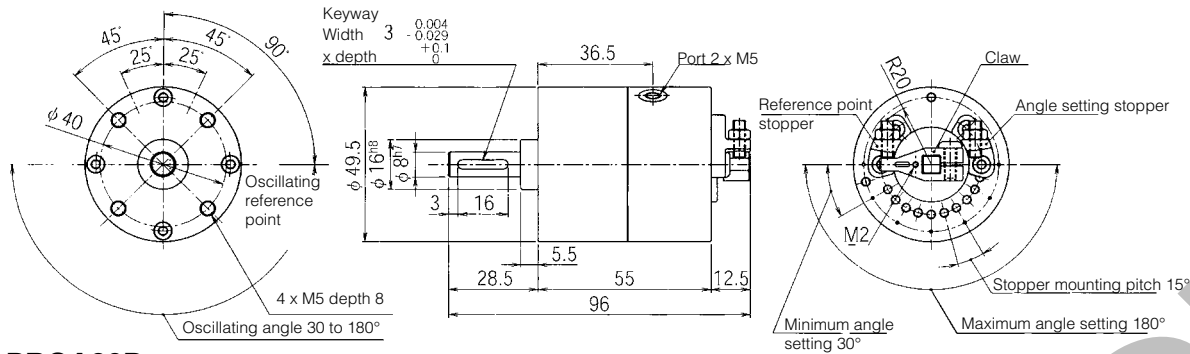
With switch unit (variable switch position)



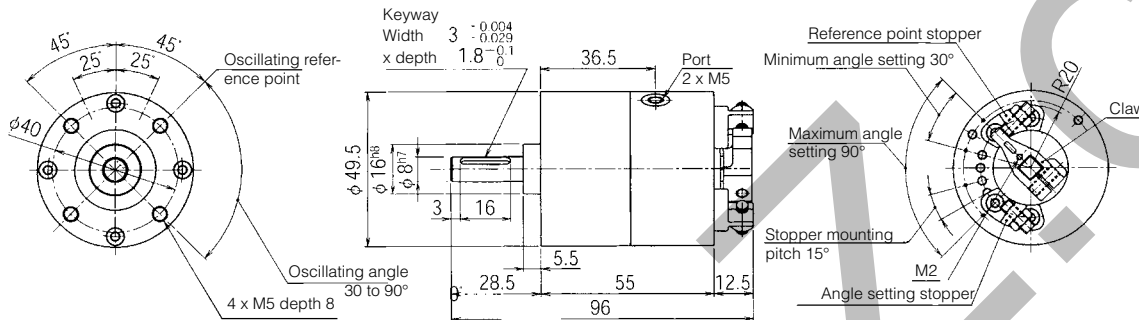
Note : For switch unit-mounting hardware combinations, refer to the required dimensions in each fig.

PRO Miniature series - Adjustable oscillating angle - Dimensions (mm)

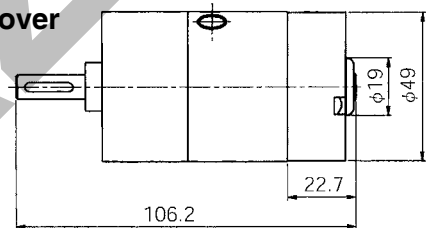
PROA20S



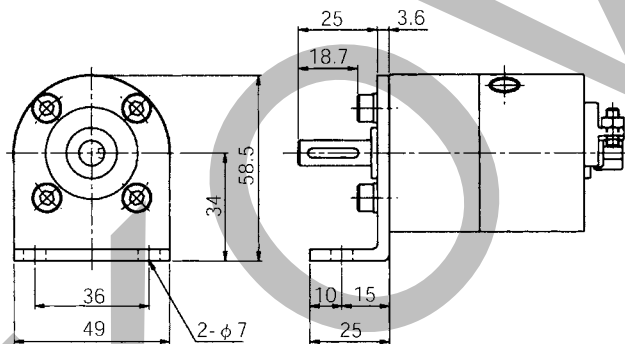
PROA20D



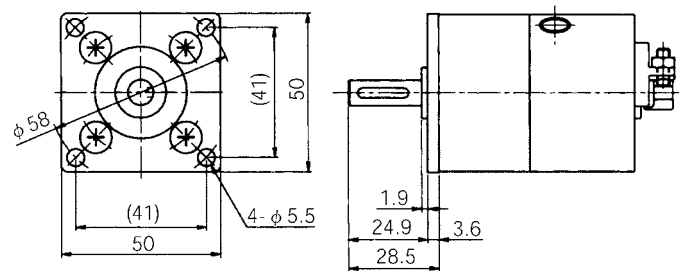
With protection cover



With foot plate mounting

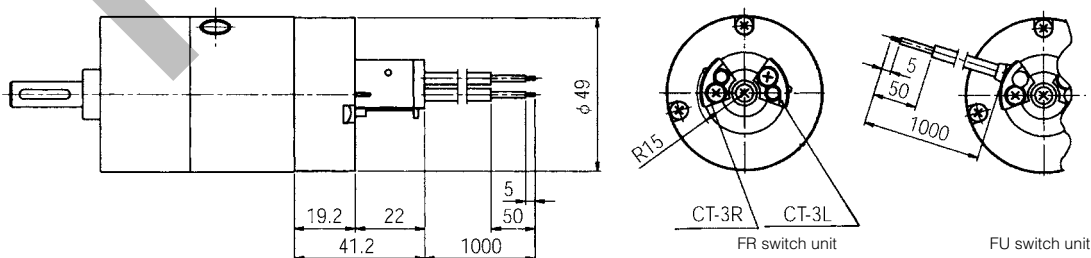


With flange plate mounting



Note : A foot plate can be fitted turned by steps of 90° from the original position

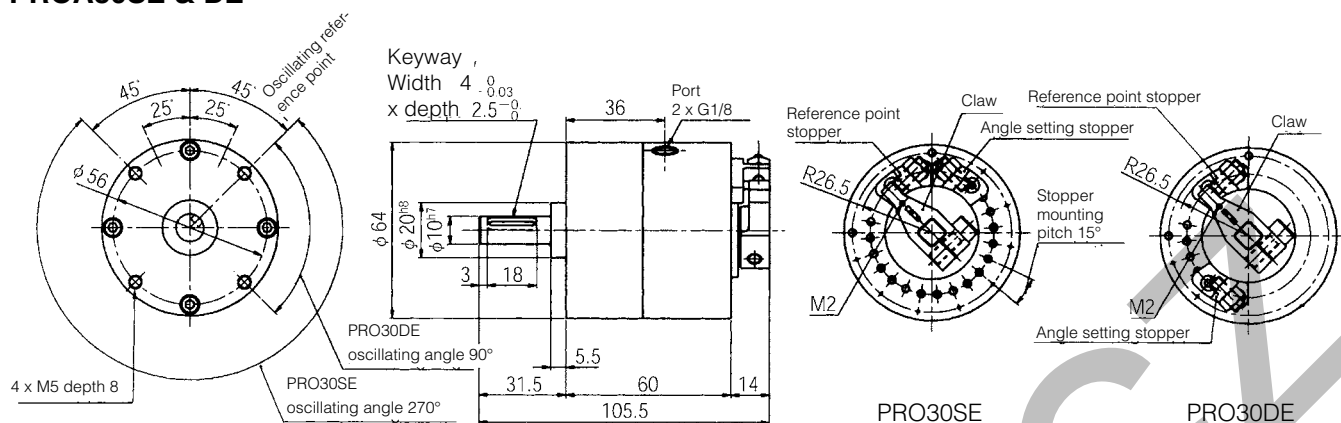
With switch unit (variable switch position)



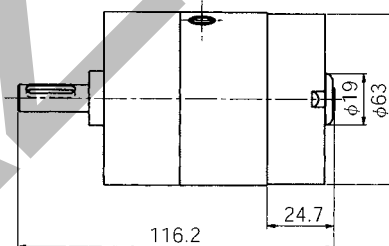
Note : For switch unit-mounting hardware combinations, refer to the required dimensions in each fig.

PRO Miniature series - Adjustable oscillating angle - Dimensions (mm)

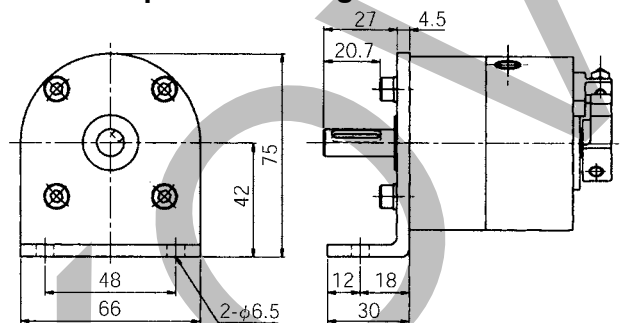
PROA30SE & DE



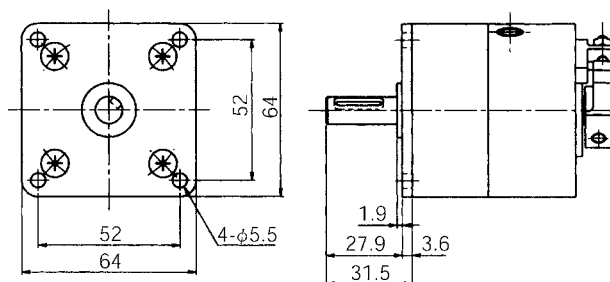
With protection cover



With foot plate mounting

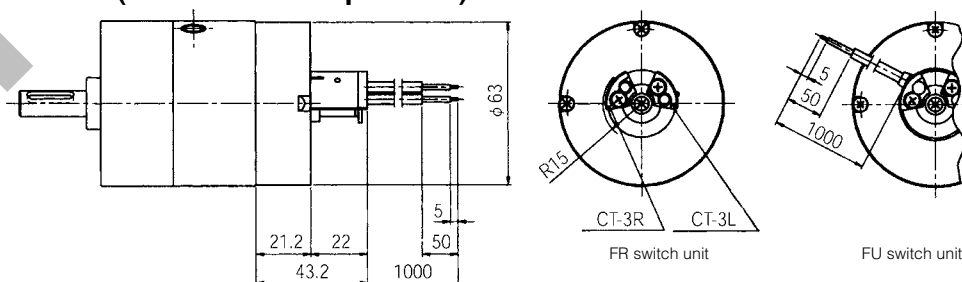


With flange plate mounting



Note : A foot plate can be fitted turned by steps of 60° from the original position

With switch unit (variable switch position)



Note : For switch unit-mounting hardware combinations, refer to the required dimensions in each fig.

Pneumatic Rotary Actuators - Series PRO - PRN

PRN Miniature series - Fixed oscillating angle - Order Codes

Standard models



Single vane (N.cm)	Torque 6 bar	Oscillating angle			Oscillating reference point	
		90°	180°	270°	45°	90°
PRNA1S	15,6	PRNA1S-90-90	PRNA1S-180-90			X
PRNA3S	38	PRNA3S-90-90	PRNA3S-180-90			X
PRNA10S	120	PRNA10S-90-90	PRNA10S-180-90			X
PRNA20S	210	PRNA20S-90-90	PRNA20S-180-90			X
PRN30SE	410	PRN30SE-90-45	PRN30SE-180-45	PRN30SE-270-45		X
Double vane						
PRNA1D	34,7	PRNA1D-90-45				X
PRNA3D	86	PRNA3D-90-45				X
PRNA10D	254	PRNA10D-90-45				X
PRNA20D	470	PRNA20D-90-45				X
PRN30DE	950	PRN30DE-90-45				X

How to select a PRN rotary actuator ?
Refer page 28

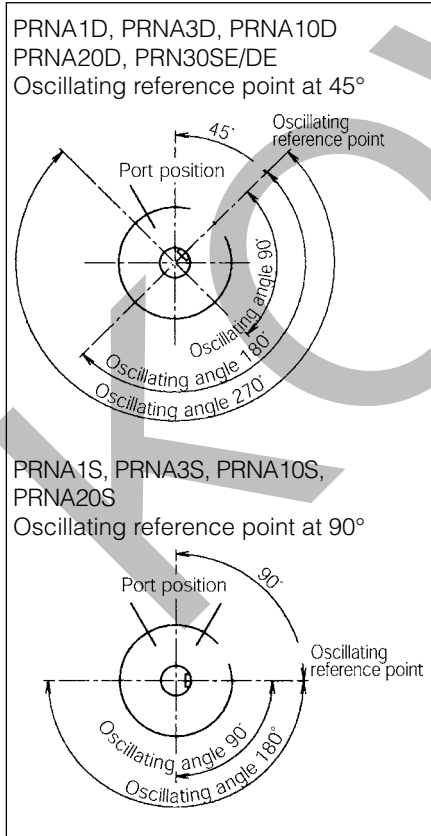
Rotary Actuator mountings



Rotary Actuator	Flange mounting	Foot mounting
PRNA1S/D	PRN1-P	PRN1-L
PRNA3S /D	PRN3-P	PRN3-L
PRNA10S/ D	PRN10-P	PRN10-L
PRNA20S/D	PRN20-P	PRN20-L
PRN30SE/DE	PRN30-P	PRN30-L

The mountings are provided with set screws

Oscillation starting point and oscillation angle



Switch units

Variable switch position, solid state NPN or PNP.
Refer to page 13 for Technical information.



For Rotary Actuator	NPN	PNP
PRNA1S/D	FR-1PRNA	FP-1PRNA
PRNA3S/D	FR-3PRNA	FP-3PRNA
PRNA10S/D	FR-10PRN	FP-10PRN
PRNA20S/D	FR-20PRN	FP-20PRN
PRN30SE/DE	FR-30PRN	FP-30PRN

Maintenance kits

The maintenance kit consists in the vane shaft, shoe seal and shaft O'rings

For Rotary Actuator	Single vane		Double vane	
PRNA1S	PRNA1S-PS		PRNA1D	PRNA1D-PS
PRNA3S	PRNA3S-PS		PRNA3D	PRNA3D-PS
PRNA10S	PRNA10S-PS		PRNA10D	PRNA10D-PS
PRNA20S	PRNA20S-PS		PRNA20D	PRNA20D-PS
PRN30SE	PRN30S-PS		PRN30DE	PRN30D-PS

PRN Miniature series - Technical data

Technical specification

PRN Rotary Actuators	Unit	PRNA1S	PRNA3S	PRNA10S	PRNA20S	PRN30SE
Vane		Single vane				
Air condition		Filtered (5µ) lubricated or non-lubricated				
Oscillating angle	°	90 / 180 / 270	90 / 180 / 270	90 / 180 / 270	90 / 180 / 270	90 / 180 / 270
Oscillating reference point	°	45, 90/45, 90/45	45, 90/45, 90/45	45, 90/45, 90/45	45, 90/45, 90/45	45
Port size		M5	M5	M5	M5	G1/8
Minimum operating pressure	bar	1,0	1,0	1,0	0,8	1,0
Operating pressure	bar	2 to 7	2 to 7	2 to 7	2 to 10	2 to 10
Operating temperature	°C	-5 to 80	-5 to 80	-5 to 80	-5 to 80	-5 to 60
Maximum operating frequency	cycles/mn	300 / 180 / 96	240 / 150 / 60	240 / 150 / 90	210 / 120 / 60	180 / 90 / 60
Internal volume	cm³	1,4 // 1,4 / 1,5	3,4 / 3,4 / 4	9,8 / 9,8 / 12	17 / 17 / 21	37 / 37 / 43
Allowable radial load	N	30	40	50	300	400
Allowable thrust load	N	3	4	4	25	30
Allowable energy	mJ	0,6	1,5	3	15	25
Weight	kg	0,036	0,070	0,140	0,250	0,47 / 0,47 / 0,46

PRN Rotary Actuators	Unit	PRNA1D	PRNA3D	PRNA10D	PRNA20D	PRN30DE
Vane		Double vane				
Air condition		Filtered (5µ) lubricated or non-lubricated				
Oscillating angle	°	90	90	90	90	90
Oscillating reference point	°	45	45	45	45	45
Port size		M5	M5	M5	M5	G1/8
Minimum operating pressure	bar	0,8	0,7	0,7	0,6	0,8
Operating pressure	bar	2 to 7	2 to 7	2 to 7	2 to 10	2 to 10
Operating temperature	°C	-5 to 80	-5 to 80	-5 to 80	-5 to 80	-5 to 60
Maximum operating frequency	cycles/mn	300	240	240	180	180
Internal volume	cm³	1,1	2,8	8,1	15,0	34,0
Allowable radial load	N	30	40	50	300	400
Allowable thrust load	N	3	4	4	25	30
Allowable energy	mJ	0,6	1,5	3	15	25
Weight	kg	0,037	0,072	0,140	0,260	0,480

Notes :

- Maximum operating frequency is given at 5 bar operating pressure (unloaded).
- Make sure to use the PRN rotary actuators within the allowable energy. Check if the required energy is lower than the allowable energy. If not, use end stoppers directly on the load.
- The PRN with keyways are provided with keys.

Materials specification

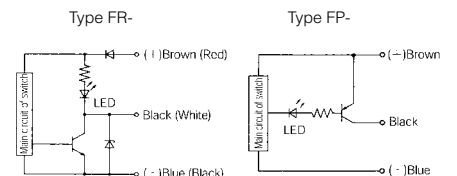
PRN	PRNA3, PRNA10, PRNA20	PRNA1, PRN30
Body	Aluminium alloy	Aluminium alloy
Solid vane shaft	Steel + resin + Hydr. Nitrile	Steel + resin + Nitrile
Shoe	Resin	Resin
Shoe seal	Hydrogenated Nitrile	Nitrile
O-ring	Hydrogenated Nitrile	Nitrile
Screws, claw, stoppers, locknut	Steel	Steel

Switch units specification

Switch unit type	FR-	FP-
Application	Relay, PLC, IC circuit	
Output method	NPN	PNP
Mounting	Switch position adjustable	
Operating voltage	DC5~30V	DC10~30V
Operating current	5 to 200 mA	5 to 200 mA
Indicating lamp	Lights up at ON	
Consumption	20mA at 24V	14mA at 24V 10mA at 12V 7mA at 12V 4mA at 5V
Max.leakage current	10 µA	
Internal voltage drop	1,5 V	
Average operating time	1 ms	
Shock resistance	490 m/s²	
Operating temperature	5 to 60 °C	
Protection	IP67	
Lead wire	1 m, 3 core, oil resistant	
Response range	23°±7°	
Hysteresis	Approx. 2°	

Effective torque (N.cm)

Model n°	Operating pressure (bar)									
	2	3	4	5	6	7	8	9	10	
Single vane										
PRNA1S	4,9	7,6	10,1	12,9	15,6	18,5	-	-	-	-
PRNA3S	10	17	24	31	38	45	-	-	-	-
PRNA10S	35	56	75	98	120	139	-	-	-	-
PRNA20S	59	95	133	170	210	249	287	326	368	
PRN30SE	110	180	250	319	410	480	580	650	720	
Double vane										
PRNA1D	10,4	16,5	22,5	28,6	34,7	41,1	-	-	-	-
PRNA3D	25	39	54	71	86	101	-	-	-	-
PRNA10D	76	117	162	211	254	303	-	-	-	-
PRNA20D	140	222	306	388	470	553	633	717	807	
PRN30DE	270	440	600	770	950	1120	1299	1480	1660	



PRN Miniature series - Technical data

Oscillating Time range

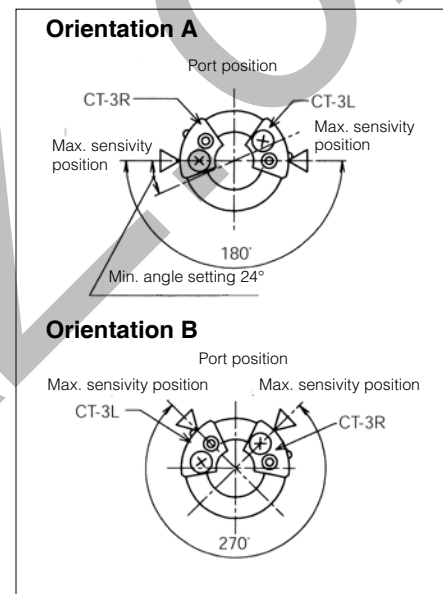
Model n°	Oscillation time range (s)		
	90°	180°	270°
PRNA1S	0,03 - 0,60	0,06 - 1,20	0,09 - 1,80
PRNA3S	0,04 - 0,80	0,08 - 1,60	0,12 - 2,40
PRNA10S	0,045 - 0,90	0,09 - 1,80	0,135 - 2,70
PRNA20S	0,05 - 1,00	0,10 - 2,00	0,15 - 3,00
PRN30SE	0,07 - 0,70	0,14 - 1,40	0,21 - 2,10
PRNA1D	0,03 - 0,60	0,06 - 1,20	0,09 - 1,80
PRNA3D	0,04 - 0,80	0,08 - 1,60	0,12 - 2,40
PRNA10D	0,045 - 0,90	0,09 - 1,80	0,135 - 2,70
PRNA20D	0,05 - 1,00	0,10 - 2,00	0,15 - 3,00
PRN30DE	0,07 - 0,70	0,14 - 1,40	0,21 - 2,10

Note : Operate the PRN rotary actuators within the range of duration mentioned in the above charts. Otherwise, the rotary actuator may move in stick-slip motion.

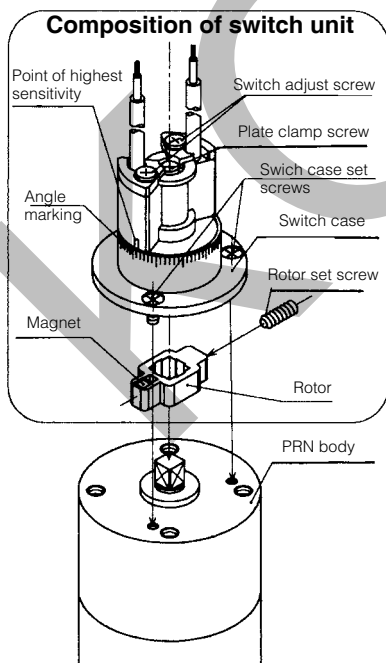
Switch mounting orientation

The 2 types of switches (-3L and -3R) included in the switch unit have to be oriented in accordance to the table herebelow :

Oscillating angle	Orientation of switches
30° and 180°	A
270°	B



Setting the switch unit



Mount the switch unit on the body using the set of screws. For clamping torque, refer to the table below :

Model	Clamping torque (N.cm)
PRNA1S /D	20 to 30
PRNA3S/D	20 to 30
PRNA10S/D	20 to 30
PRNA20S/D	20 to 30
PRN30SE/DE	20 to 30

Adjusting the switch position

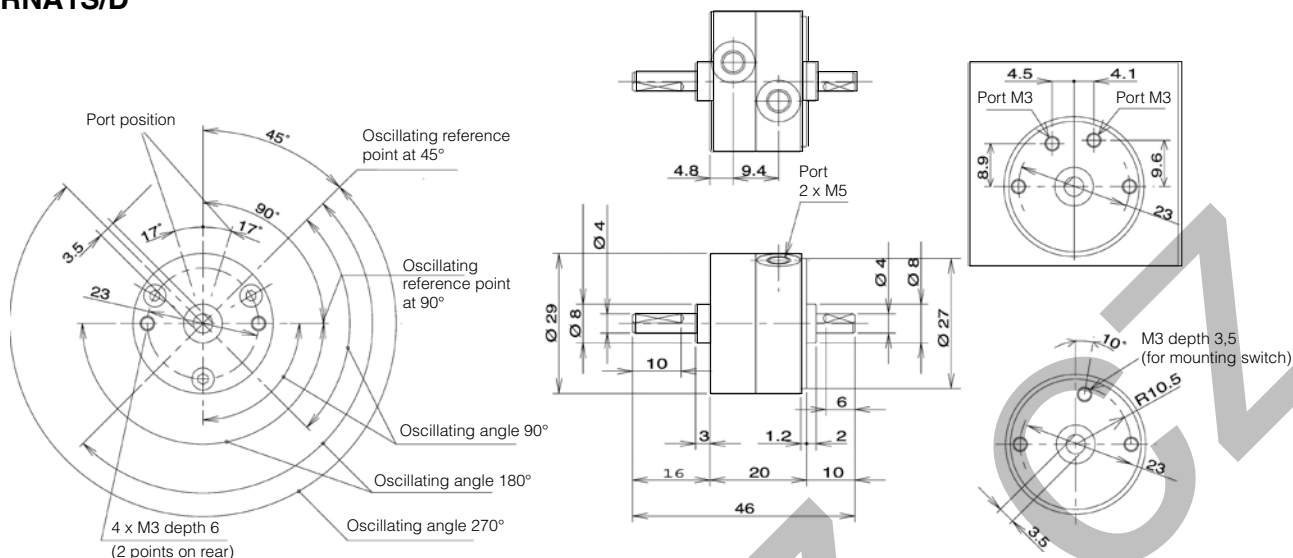
Loosen the switch adjust screws, make the point, at which the highest sensitivity is obtained, match with the angle marking equivalent to the actuator setting, and retighten the switch adjust screws at a clamping torque of 40 to 50 N.cm. Since the angle markings are provided just for reference, make a final adjustment by checking if the LED is on.

Replacing the switch

To remove the switch, remove the switch adjust screws and plate clamp screw. To mount a switch, reverse the procedure for removal. Adjust the switch position after completion of mounting.

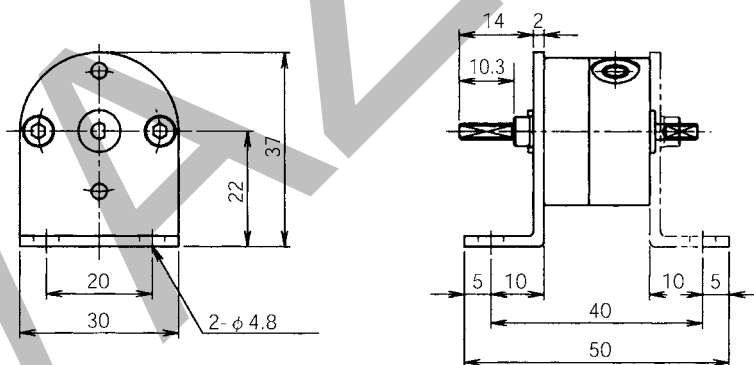
PRN Miniature series - Dimensions (mm)

PRNA1S/D

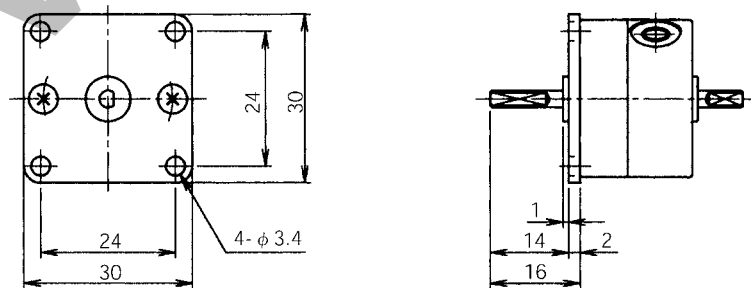


With foot plate mounting

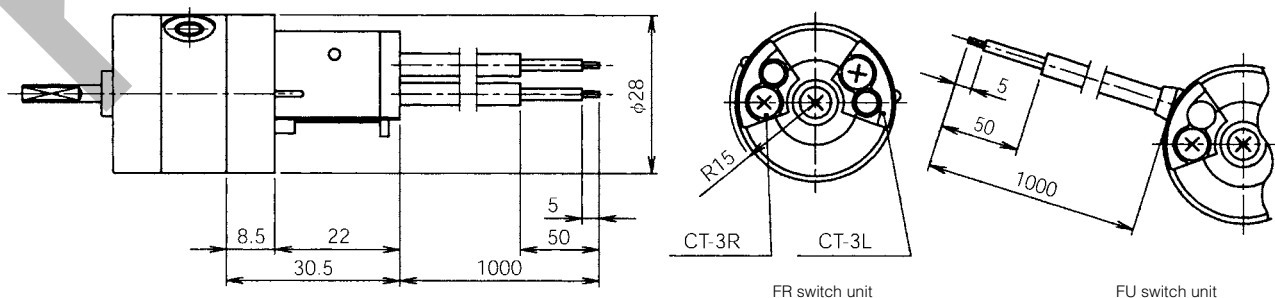
Note :
 A foot plate can be fitted turned by steps of 90° from the original position.
 Short shaft side : Example with 2 pcs.



With flange plate mounting



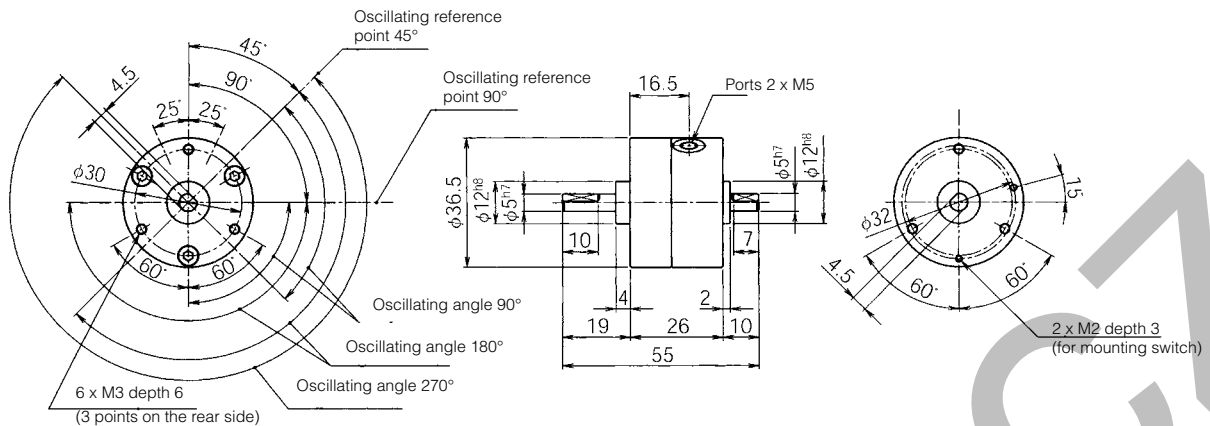
With switch unit (variable switch position)



Note : For switch unit-mounting hardware combinations, refer to the required dimensions in each fig.

PRN Miniature series - Dimensions (mm)

PRNA3S/D

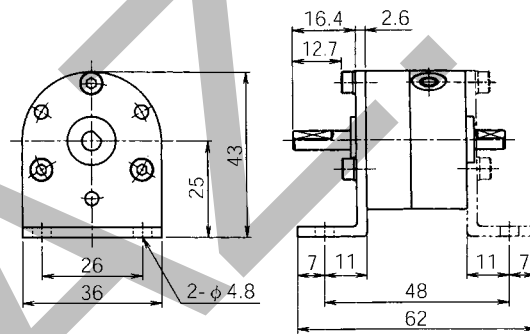


With foot plate mounting

Note :

A foot plate can be fitted turned by steps of 90° from the original position.

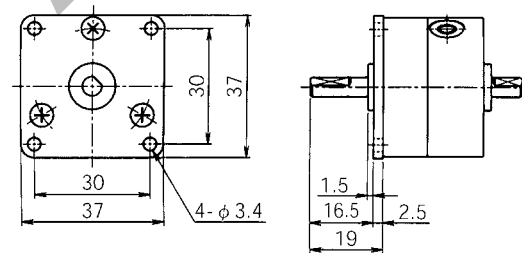
Short shaft side : Example with 2 pcs.



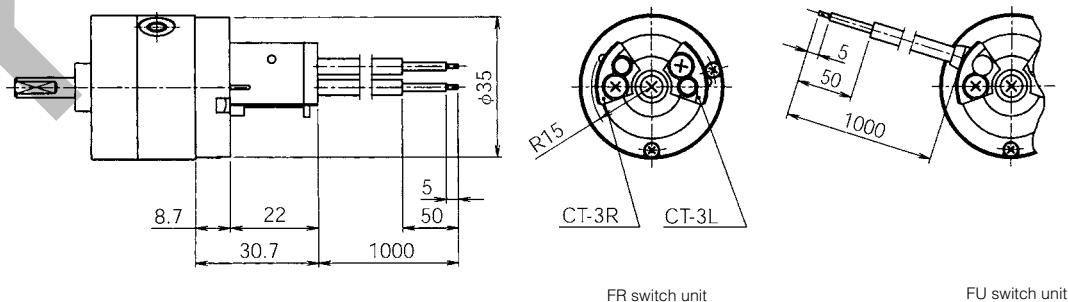
With flange plate mounting

Note :

A flange plate can be fitted turned by steps of 120° from the original position



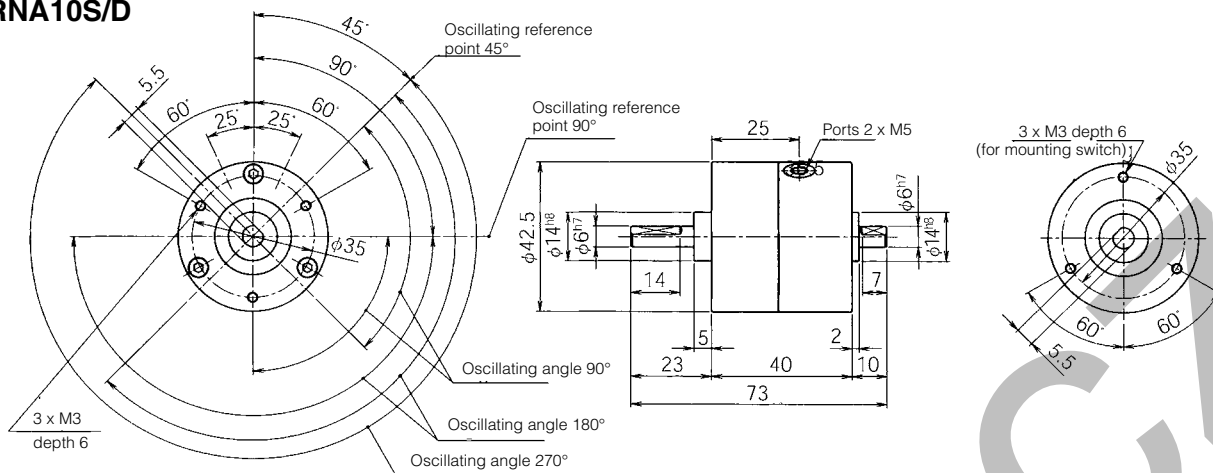
With switch unit (variable switch position)



Note : For switch unit-mounting hardware combinations, refer to the required dimensions in each fig.

PRN Miniature series - Dimensions (mm)

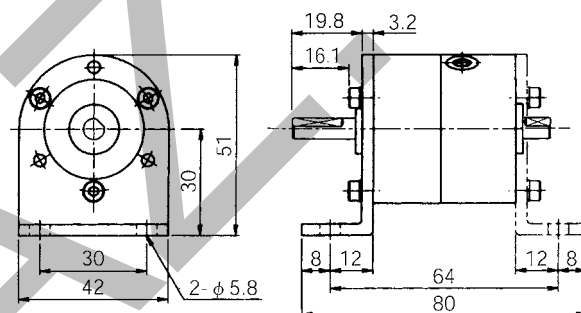
PRNA10S/D



With foot plate mounting

Note :

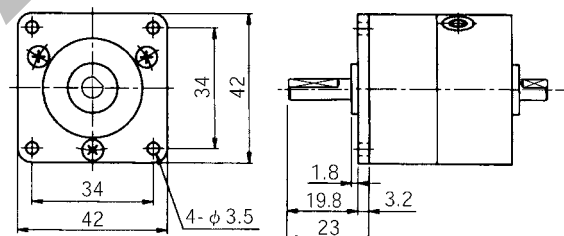
A foot plate can be fitted turned by steps of 60° from the original position.
 Short shaft side : Example with 2 pcs.



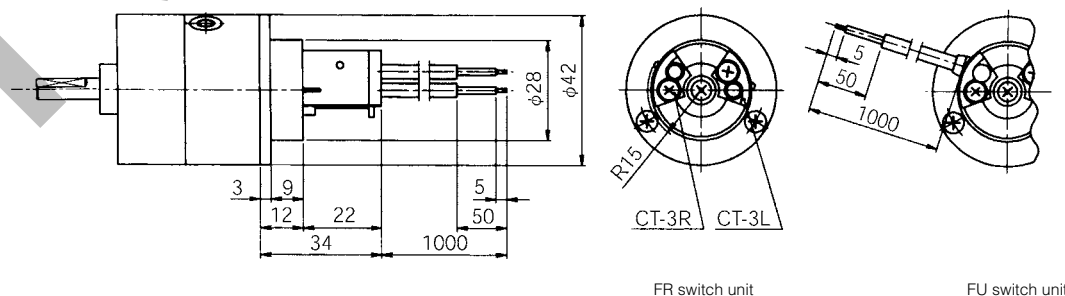
With flange plate mounting

Note :

A flange plate can be fitted turned by steps of 120° from the original position.



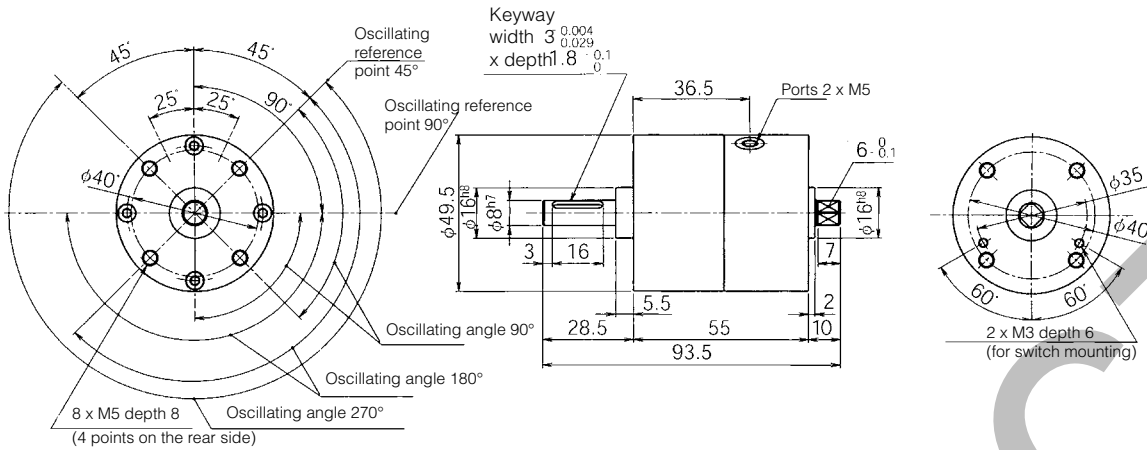
With switch unit (variable switch position)



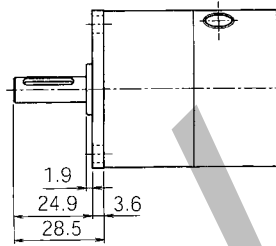
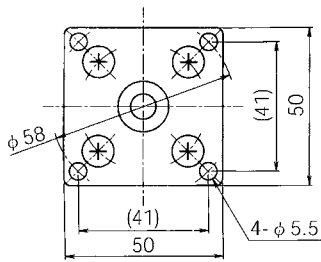
Note : For switch unit-mounting hardware combinations, refer to the required dimensions in each fig.

PRN Miniature series - Dimensions (mm)

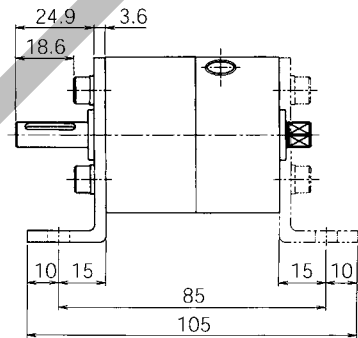
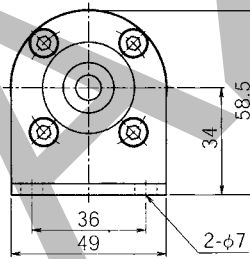
PRNA20S/D



With flange plate mounting



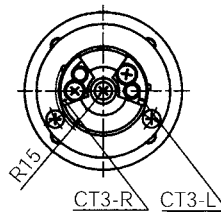
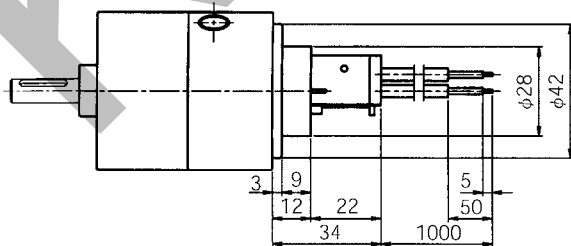
With foot plate mounting



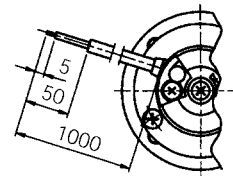
Note :

A foot plate can be fitted turned by steps of 90° from the original position.
Short shaft side : Example with 2 pcs.

With switch unit (variable switch position)



FR switch unit

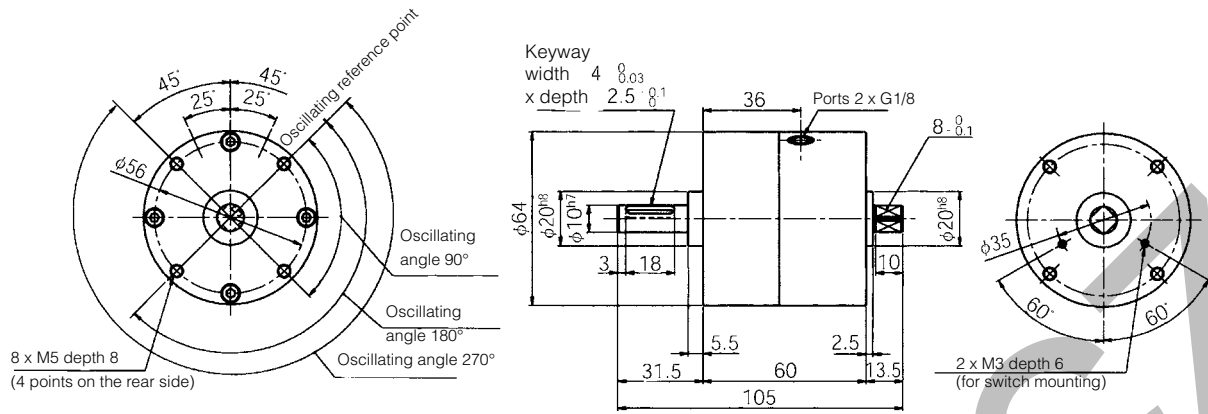


FU switch unit

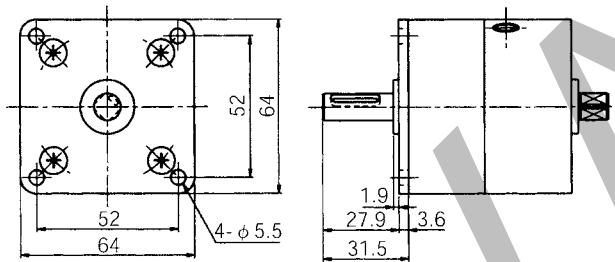
Note : For switch unit-mounting hardware combinations, refer to the required dimensions in each fig.

PRN Miniature series - Dimensions (mm)

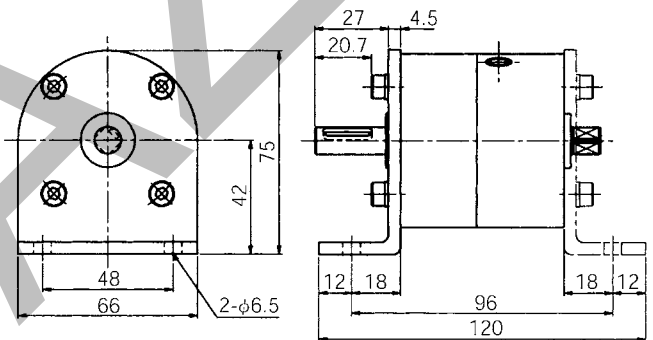
PRN30SE/DE



With flange plate mounting

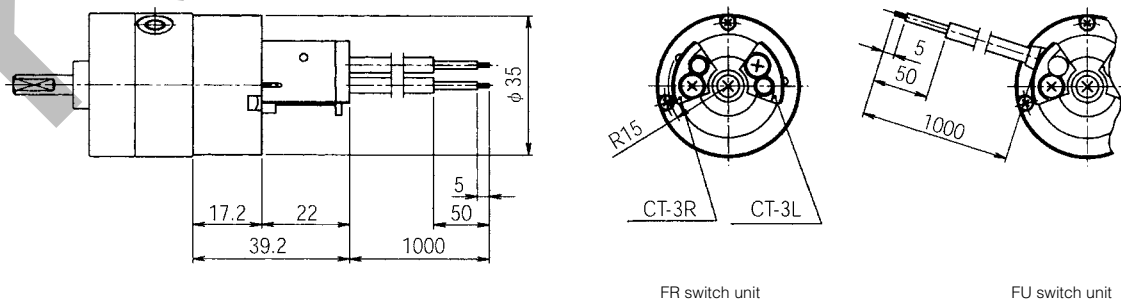


With foot plate mounting



Note :
 A foot plate can be fitted turned by steps of 90° from the original position.
 Short shaft side : Example with 2 pcs.

With switch unit (variable switch position)



Note : For switch unit-mounting hardware combinations, refer to the required dimensions in each fig.

PRN High Torque range - Fixed oscillating angle - Order Codes

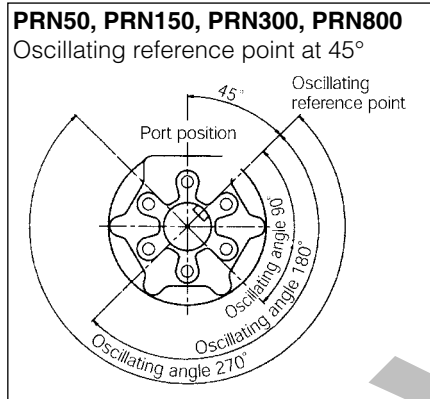
Standard models



Model	Torque at 6 bar (N.cm)	Oscillating angle		
		90°	180°	270°
Single vane (reference point 45°)				
PRN50SE	590	PRN50SE-90-45	PRN50SE-180-45	PRN50SE-270-45
PRN150SE	1800	PRN150SE-90-45	PRN150SE-180-45	PRN150SE-270-45
PRN300SE	3450	PRN300SE-90-45	PRN300SE-180-45	PRN300SE-270-45
PRN800SE	12300	PRN800SE-90-45	PRN800SE-180-45	PRN800SE-270-45
Double vane (reference point 45°)				
PRN50DE	1280	PRN50DE-90-45		
PRN150DE	4150	PRN150DE-90-45		
PRN300DE	8300	PRN300DE-90-45		
PRN800DE	24700	PRN800DE-90-45		

How to select a PRN rotary actuator ?
Refer page 28

Oscillation starting point and oscillation angle



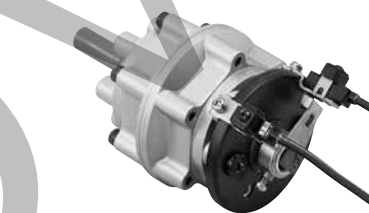
Rotary Actuator mountings

The mountings are provided with set screws



Rotary actuator	Flange mounting	Foot mounting
PRN50SE/DE	PRN50-P	PRN50-L
PRN150SE/DE	PRN150-P	PRN150-L
PRN300SE/DE	-	PRN300-L
PRN800SE/DE	-	PRN800-L

Switch unit



Variable switch position, reed type or solid state type (NPN or PNP).
Refer to page 22.

Hydro-cushion



Hydraulic cushion to use when the inertial energy exceeds that allowable by the actuator.
Refer to page 25.

Maintenance kits

The maintenance kit consists in the vane shaft, shoe seal and shaft O'rings

For Rotary Actuator		Double vane	
Single vane			
PRN50SE	PRN50S-PS	PRN50DE	PRN50D-PS
PRN150SE	PRN150S-PS	PRN150DE	PRN150D-PS
PRN300SE	PRN300S-PS	PRN300DE	PRN300D-PS
PRN800SE	PRN800S-PS	PRN800DE	PRN800D-PS

PRN High Torque range - Technical data

Technical specification

PRN High Torque	Unit	PRN50SE	PRN150SE	PRN300SE
Vane		Single vane	Single vane	Single vane
Air condition		Filtered (5µ) lubricated or non-lubricated		
Oscillating angle	°	90 / 180 / 270	90 / 180 / 270	90 / 180 / 270
Oscillating reference point	°	45 / 45,40 / 45	45 / 45,40 / 45	45 / 45,40 / 45
Port size		G1/8	G1/4	G3/8
Minimum operating pressure	bar	1,0	0,8	0,8
Operating pressure	bar	2 to 10	2 to 10	2 to 10
Operating temperature	°C	5 to 60	5 to 60	5 to 60
Maximum operating frequency	cycles/mn	180 / 90 / 60	120 / 80 / 50	90 / 60 / 40
Internal volume	cm ³	51 / 51 / 61	146 / 146 / 179	244 / 283 / 352
Allowable radial load	N	588	1 176	1 960
Allowable thrust load	N	44,1	88,2	147,0
Allowable energy	mJ	49,0	225,4	1 078,0
Weight	kg	0,82 / 0,79 / 0,73	2,00 / 1,90 / 1,70	3,70 / 3,70 / 3,70

PRN High Torque	Unit	PRN800SE	PRN50DE	PRN150DE	PRN300DE	PRN800DE
Vane		Single vane	Double vane	Double vane	Double vane	Double vane
Air condition		Filtered (5µ) lubricated or non-lubricated				
Oscillating angle	°	90 / 180 / 270	90	90	90	90
Oscillating reference point	°	45 / 45,40 / 45	45	45	45	45
Port size		G1/2	G1/8	G1/4	G3/8	G1/2
Minimum operating pressure	bar	0,5	0,8	0,6	0,6	0,5
Operating pressure	bar	2 to 10	2 to 10	2 to 10	2 to 10	2 to 10
Operating temperature	°C	5 to 60	5 to 60	5 to 60	5 to 60	5 to 60
Maximum operating frequency	cycles/mn	65 / 45 / 30	180	120	90	65
Internal volume	cm ³	754 / 869 / 1 036	42	127	244	754
Allowable radial load	N	4 900	588	1 176	1 960	4 900
Allowable thrust load	N	490,0	44,1	88,2	147,0	490,0
Allowable energy	mJ	3 920,0	49,0	225,4	1 078,0	3 920,0
Weight	kg	12,70 / 12,20 / 11,20	0,82	2,00	4,30	12,70

Notes :

- Maximum operating frequency is given at 5 bar operating pressure (unloaded).
- Make sure to use the PRN rotary actuators within the allowable energy. Check if the required energy is lower than the allowable energy. If not, use a CRN hydro-check (refer to page 25) or end stoppers directly on the load.
- The PRN with keyways are provided with keys.

Materials specification

PRN	PRN50, PRN150	PRN300	PRN800
Body	Aluminium die casting alloy	Aluminium alloy	Aluminium alloy
Solid vane shaft	Structural steel alloy + Nitrile	Structural steel alloy + Nitrile	Structural steel alloy + Nitrile
Shoe	Zinc die casting alloy	Zinc die casting alloy	Zinc die casting alloy
Shoe seal	Nitrile	Nitrile	Nitrile
Damper	Uréthane	Uréthane	Uréthane
Bearing	-	-	Steel bearing
O-ring	Nitrile	Nitrile	Nitrile
Cover plate	-	-	Structural carbon steel
Screws, claw, stoppers, locknut	Steel	Steel	Steel

Effective torque (N.cm)

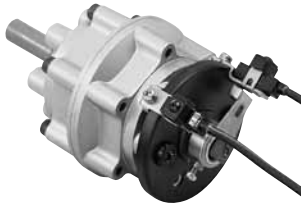
Model n°	Operating pressure (bar)									
	2	3	4	5	6	7	8	9	10	
Single vane PRN50SE	125	259	369	479	590	700	829	950	1060	
PRN150SE	550	850	1150	1500	1800	2100	2400	2730	3050	
PRN300SE	1050	1650	2250	2850	3450	4050	4600	5180	5750	
PRN800SE	3780	5910	8100	10200	12300	14400	16600	18600	20500	
Double vane PRN50DE	330	579	829	1040	1280	1510	1760	2010	2250	
PRN150DE	1250	1900	2700	3500	4150	4800	5500	6200	6900	
PRN300DE	2550	3900	5400	6800	8300	9700	11000	12400	13700	
PRN800DE	7740	12000	16100	20600	24700	28800	33200	37100	41100	

Oscillating time range (s)

	Oscillating angle		
	90°	180°	270°
PRN50	0.08~0.8	0.16~1.6	0.24~2.4
PRN150	0.12~1.2	0.24~2.4	0.36~3.6
PRN300	0.16~1.6	0.32~3.2	0.48~4.8
PRN800	0.22~2.2	0.44~4.4	0.66~6.6

PRN High Torque range - Sensing

Order Codes



The switch unit consists in a 3-part mounting hardware combined with either a reed type or a solid state type sensors.

The 3 parts hardware are to be ordered separately :

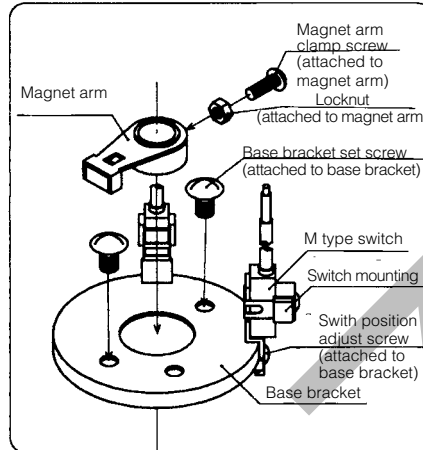
- Base bracket
- Magnet arm
- Switch mounting (except for PRN800)

Switch units used with hydro-cushion, refer to page 25.

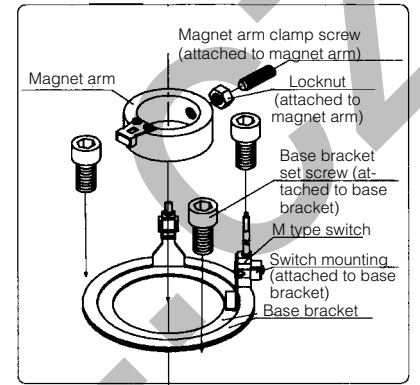
Standard mounting hardware for PRN

Rotary actuator	Base bracket	Magnet arm	Switch mounting
PRN50SE/DE	FM50-B	FM50-A	FM50-K
PRN150SE/DE	FM150-B	FM150-A	FM50-K
PRN300SE/DE	FM300-B	FM300-A	FM300-K
PRN800SE/DE	FM800-B	FM800-A	-

PRN50, PRN150, PRN300

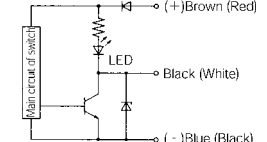
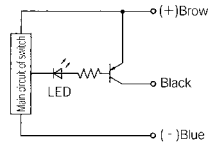
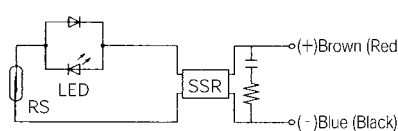
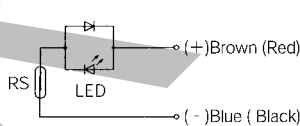


PRN800



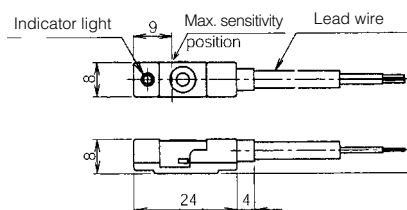
Technical data

	MA-1	MA-2L	MA-2H	MT-3	MTP-3
Application	Relay, PLC	Relay	Relay	Relay, PLC, IC circuit	Relay, PLC, IC circuit
Output method	Reed switch	Reed switch	Reed switch	NPN	PNP
Operating voltage (V)	AC100 - DC24	AC100/110	AC200/220	DC 5 to 30	DC 10 to 30
Operating current (mA)	5 to 45	5 to 150	5 to 150	5 to 200	5 to 200
Indicating lamp	Red LED up at ON 4,5VA-1W	Red LED up at ON 4,5VA	Red LED up at ON 4,5VA	Red LED up at ON 20 mA at 24V 10 mA at 12V 4 mA at 5V	Yellow LED up at ON 20 mA at 24V 10 mA at 12V
Consumption		Surge suppressor	Surge suppressor		
Internal voltage drop	2 V or less	-	-	1,5 V or less	1,5 V or less
Max. leak current	-	-	-	10 µA	10 µA
Average operating time	1 ms	1 ms	1 ms	1 ms	1 ms
Shock resistance	294 m/s ²	294 m/s ²	294 m/s ²	490 m/s ²	490 m/s ²
Operating temperature	5 to 60 °C	5 to 60 °C	5 to 60 °C	5 to 60 °C	5 to 60 °C
Protection	IP67	IP67	IP67	IP67	IP67
Lead wire	1 m, 2-core	1 m, 2-core	1 m, 2-core	1 m, 3-core, oil resistant	1 m, 3-core, oil resistant

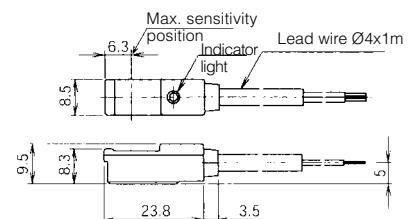


Dimensions (mm)

MA-1, MA-2

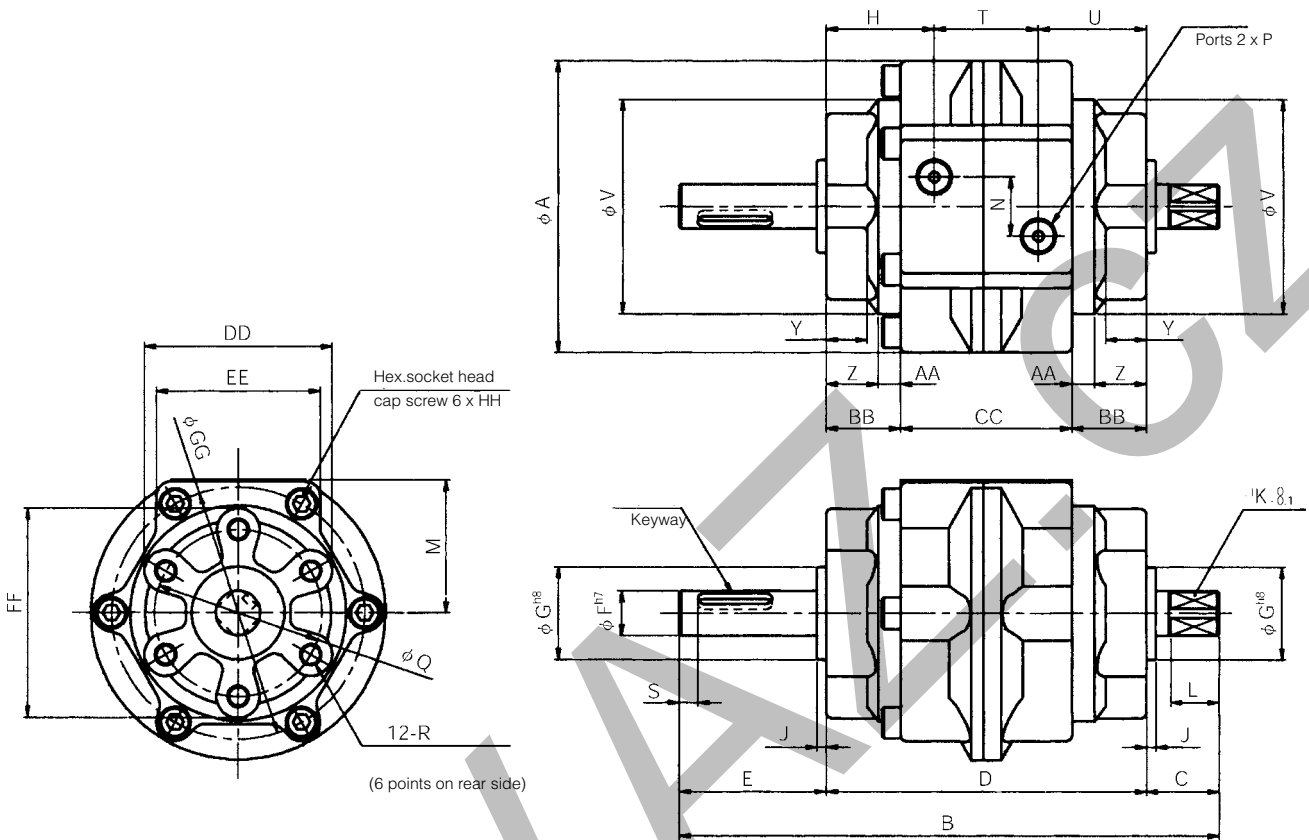


MT-3, MTP-3



PRN High Torque range - Dimensions (mm)

Standard model

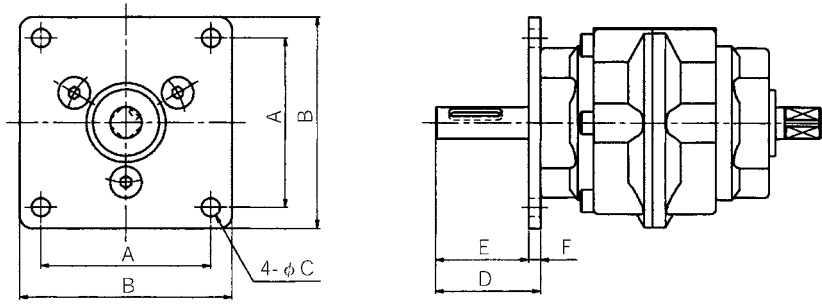


Type	A	B	C	D	E	F	G	H	J	K	L	M	N	P	Q	R	S	T
PRN50	79,0	145	19,5	86	39,5	12	25	29,0	2,5	10	13	36	16	G1/8	45	M6x1 depth 9	5	28
PRN150	110,0	180	23,5	103	53,5	17	30	34,5	3,0	13	16	51	24	G1/4	70	M8x1,25 depth 12	5	34
PRN300	141,5	220	30,0	125	65,0	25	45	41,5	3,5	19	22	66	32	G3/8	80	M10x1,5 depth 15	5	42
PRN800	196,0	285	44,5	171	69,5	40	70	53,5	4,5	32	35	90	44	G1/2	120	M12x1,75 depth 18	10	64

Type	U	V	Y	Z	AA	BB	CC	DD	EE	FF	GG	HH	Keyway WxDxL
PRN50	29,0	58,0	11,0	14,0	6,0	20,0	46	51,0	44,0	57,0	68,0	M5x30 L	4 ⁰ _{-0,030} x 2,5 ⁰ ₀ x 20
PRN150	34,5	85,2	10,5	15,5	8,0	23,5	56	75,0	61,0	85,0	97,0	M6x35 L	5 ⁰ _{-0,030} x 3 ⁰ ₀ x 36
PRN300	41,5	110,0	13,0	17,5	10,0	27,5	70	88,5	78,0	98,5	125,0	M8x45 L	7 ⁰ _{-0,036} x 4 ⁰ ₀ x 40
PRN800	53,5	152,0	14,5	21,1	11,4	32,5	106	130,0	110,0	145,0	173,0	M12x70 L	12 ⁰ _{-0,043} x 5 ⁰ ₀ x 40

PRN High Torque range - Dimensions (mm)

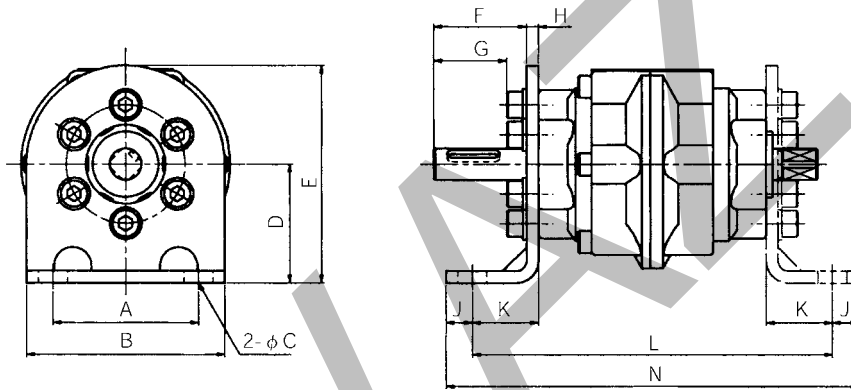
With flange plate



Type	A	B	C	D	E	F
PRN50	64	80	7	39,5	35,0	4,5
PRN150	88	110	9	53,5	47,5	6,0

Note : A flange plate can be fitted turned by steps of 60° from the original position

With foot plate

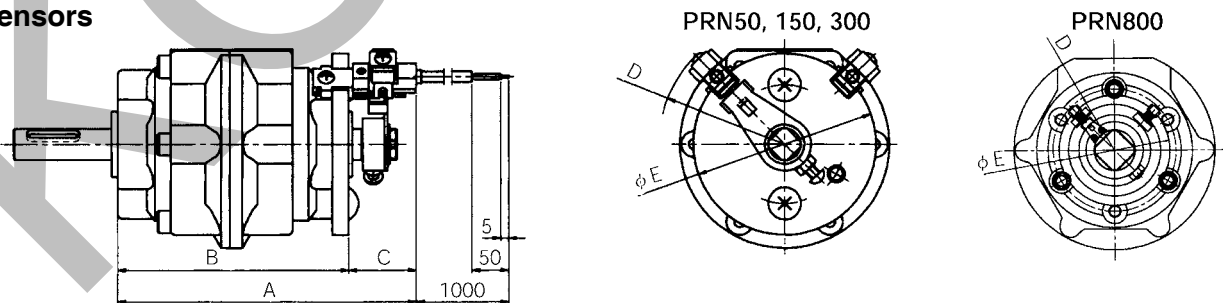


Type	A	B	C	D	E	F	G	H	J	K	L	N
PRN50	55	75	11	45	82,5	35,0	27,5	4,5	10	25	136	156
PRN150	80	110	13	65	115,0	43,5	33,5	10,0	12	28	159	183
PRN300	100	140	15	80	135,0	53,0	40,5	12,0	13	32	189	215
PRN800	140	200	15	110	200,0	54,5	39,5	15,0	15	35	241	271

Note:

A foot plate can be fitted turned by steps of 60° from the original position
Short shaft side : Example with 2 pcs

With sensors



Type	A	B	C	D	E
PRN50	115,0	87,2	25,5	R47	69
PRN150	131,7	104,2	27,5	R61	97
PRN300	161,2	126,2	35,0	R69	113
PRN800	215,5	174,2	41,3	R60	108

PRN High Torque range with Hydro-cushion

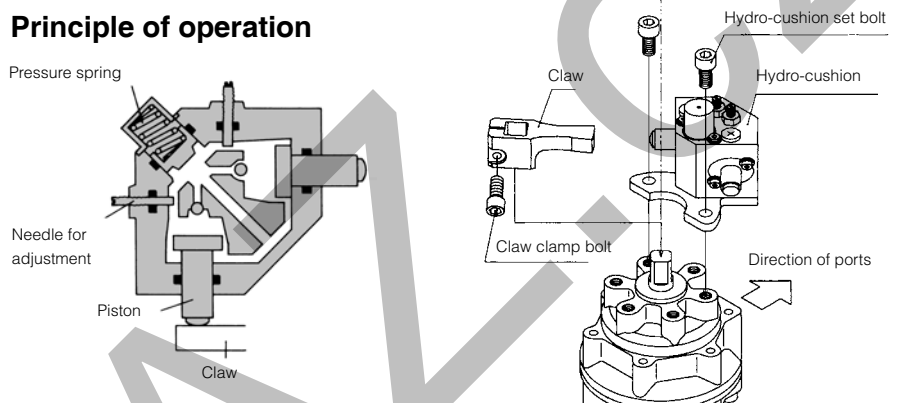
Order Codes

Hydraulic cushion for PRN high torque. Use these cushions when the inertial energy exceed the allowable energy of the PRN rotary actuator.



Rotary Actuator	Hydro-cushion	Claw for hydro-cushion - Oscillating angle		
		90°	180°	270°
Single vane				
PRN50SE	CRN50	CRN50-90-45-T	CRN50-180-45-T	CRN50-270-45-T
PRN150SE	CRN150	CRN150-90-45-T	CRN150-180-45-T	CRN150-270-45-T
PRN300SE	CRN300	CRN300-90-45-T	CRN300-180-45-T	CRN300-270-45-T
PRN800SE	CRN800	CRN800-90-45-T	CRN800-180-45-T	CRN800-270-45-T
Double vane				
PRN50DE	CRN50	CRN50-90-45-T		
PRN150DE	CRN150	CRN150-90-45-T		
PRN300DE	CRN300	CRN300-90-45-T		
PRN800DE	CRN800	CRN800-90-45-T		

Principle of operation



Specification

How to select a CRN hydro-cushion ? Refer page 29.

	Unit	CRN50	CRN150	CRN300	CRN800
Applicable Rotary Actuator		PRN50	PRN150	PRN300	PRN800
Load range	kg x cm ²	981	2942	5884	19613
Maximum absorbion energy	mJ	2942	9807	19613	58840
Max. collision angular velocity	°/s	850	750	650	550
Max.energy capacity per mn	mJ/mn	19613	70613	137293	353039
Operating temperature	°C	5 to 50	5 to 50	5 to 50	5 to 50
Absorbing angle (one end)	°	11	12	14	15
Weight	kg	0,240	0,420	0,780	1,620

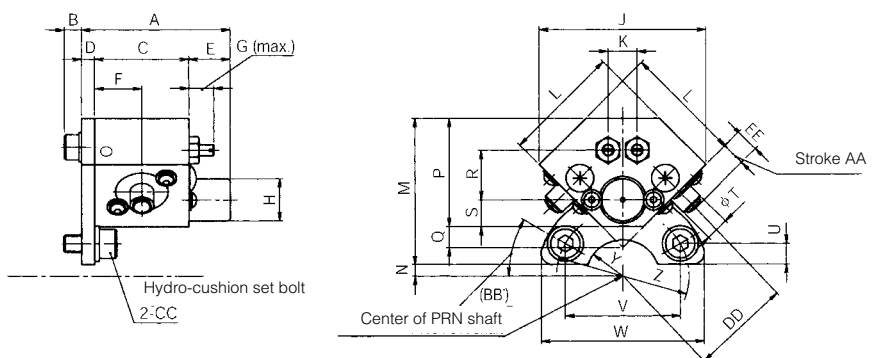
Note :

Energy capability per mn = Absorbing energy x 2N

N: Operation frequency (cycle/mn)

When a rotary actuator is used with a hydro-cushion, keep an operating pressure of 3 bar or more.

Dimensions (mm)



Model N°	A	B	C	D	E	F	G	H	J	K	L	M	N	P	Q	R	S	T	U	V	W	Y	Z	AA	BB	CC	DD	EE
CRN50	50,5	6,0	32	4,5	14	16	8,5	14,4	56,6	9,9	40	50	4	37	7,1	17,0	9,2	8	7,2	39,0	56	R12,5	R45	6,5	30	M6x12	34	8,0
CRN150	56,5	7,2	36	4,5	16	18	8,5	18,4	70,7	11,3	50	62	9,5	49	8,4	25,5	11,4	10	8,0	60,6	80	R15	R70	10,0	30	M8x16	46	12,0
CRN300	62,5	7,2	42	4,5	16	21	12,0	22,5	91,9	12,7	65	87	8	61	14,2	33,2	14,1	12	12,0	69,2	95	R22,5	R80	15,0	30	M10x20	62	18,0
CRN800	73,0	7,2	50	6,0	17	25	12,0	32,5	127,0	14,2	90	118	17	82	24,7	46,7	20,6	16	13,0	103,9	130	R35	R120	24,0	30	M12x20	90	27,5

PRN High Torque range with Hydro-cushion - Sensors

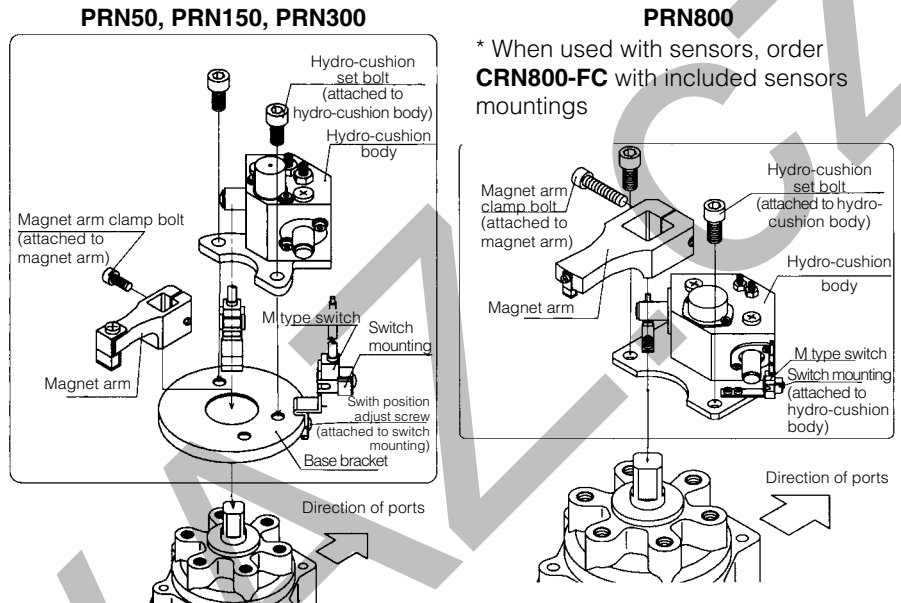
Order Codes

Standard mounting hardware for PRN

Rotary actuator	Base Bracket	Magnet arm - Oscillating angle			Switch mounting
		90°	180°	270°	
PRN50SE	FM50-B	FC50-90-45-T	FC50-180-45-T	FC50-270-45-T	FC50-K
PRN150SE	FM150-B	FC150-90-45-T	FC150-180-45-T	FC150-270-45-T	FC50-K
PRN300SE	FM300-B	FC300-90-45-T	FC300-180-45-T	FC300-270-45-T	FC300-K
PRN800SE*	CRN800-FC	FC800-90-45-T	FC800-180-45-T	FC800-270-45-T	-
PRN50DE	FM50-B	FC50-90-45-T			FC50-K
PRN150DE	FM150-B	FC150-90-45-T			FC50-K
PRN300DE	FM300-B	FC300-90-45-T			FC300-K
PRN800DE*	CRN800-FC	FC800-90-45-T			-

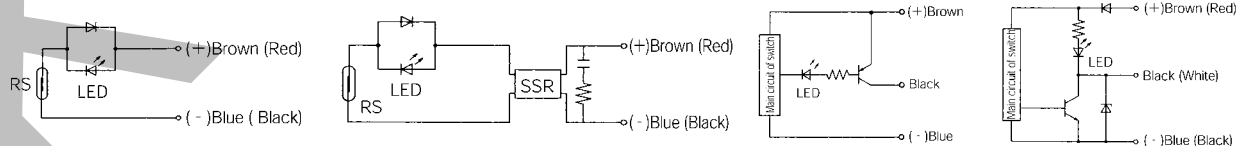
The switch unit used with a CRN hydro-cushion consists in a 3-part mounting hardware combined with either a reed type or a solid state type sensors. The 3 parts hardware are to be ordered separately :

- Base bracket
- Magnet arm
- Switch mounting (except for PRN800)

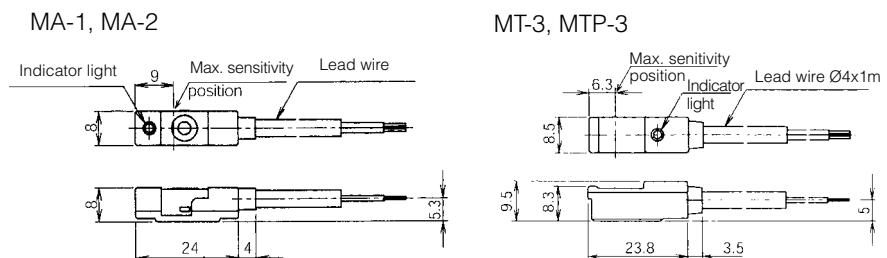


Technical data

	MA-1	MA-2L	MA-2H	MT-3	MTP-3
Application	Relay, PLC	Relay	Relay	Relay, PLC, IC circuit	Relay, PLC, IC circuit
Output method	Reed switch	Reed switch	Reed switch	NPN	PNP
Operating voltage (V)	AC100 - DC24	AC100/110	AC200/220	DC 5 to 30	DC 10 to 30
Operating current (mA)	5 to 45	5 to 150	5 to 150	5 to 200	5 to 200
Indicating lamp	Red LED up at ON 4,5VA - 1W	Red LED up at ON 4,5VA	Red LED up at ON 4,5VA	Red LED up at ON 20mA at 24V 10mA at 12V	Yellow LED up at ON 20mA at 24V 10mA at 12V
Consumption		Surge suppressor	Surge suppressor	4mA at 5V	
Internal voltage drop	2 V or less	-	-	1,5 V or less	1,5 V or less
Max. leak current	-	-	-	10 µA	10 µA
Average operating time	1 ms	1 ms	1 ms	1 ms	1 ms
Shock resistance	294 m/s ²	294 m/s ²	294 m/s ²	490 m/s ²	490 m/s ²
Operating temperature	5 to 60 °C	5 to 60 °C	5 to 60 °C	5 to 60 °C	5 to 60 °C
Protection	IP67	IP67	IP67	IP67	IP67
Lead wire	1 m, 2-core	1 m, 2-core	1 m, 2-core	1 m, 3-core, oil resistant	1 m, 3-core, oil resistant

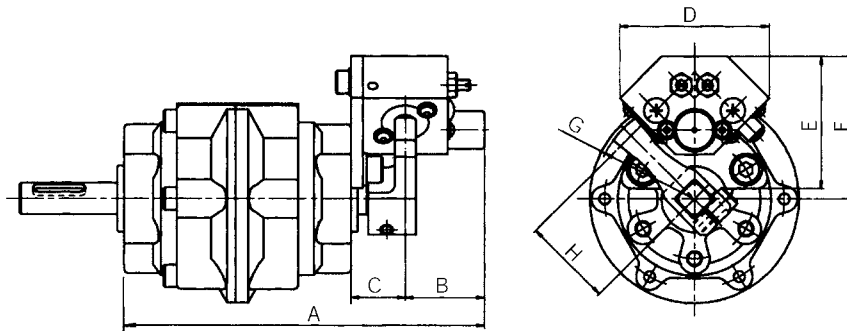


Dimensions (mm)



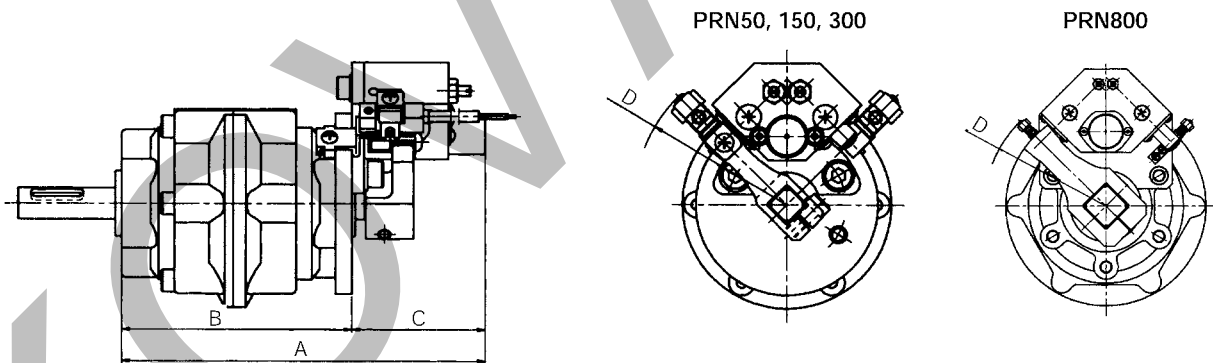
PRN High Torque range with Hydro-cushion - Dimensions (mm)

PRN with hydro-cushion



Type	A	B	C	D	E	F	G	H
PRN50	136,5	30	20,5	56	50	54,0	R38	34
PRN150	159,5	34	22,5	80	62	71,5	R51	46
PRN300	187,5	37	25,5	95	87	96,0	R68	62
PRN800	244,0	42	31,0	130	118	135,0	R78	90

PRN with hydro-cushion and switch unit



Type	A	B	C	D
PRN50	137,7	87,2	50,5	R58,2
PRN150	160,7	104,2	56,5	R72,2
PRN300	188,7	126,2	62,5	R88,2
PRN800	244,0	174,2	69,8	R118,5

Note :

Refer on page 23 for the dimensions of the standard PRN model

For switch unit mounting hardware or hydro-cushion combinations, refer to the required dimensions in each fig.

Selecting a pneumatic Rotary Actuator

Step 1 : Selecting the size of the Rotary Actuator

When a simple static force is required (such as clamping force)

1. Determine the required force, arm length from actuator and operating pressure.

Required force F(N)
 Arm length from actuator l (m)
 Operating pressure P(bar)

2. Calculate the required torque

$T_s = F \times l$ (N.m)
 Required force F(N)
 Arm length from actuator l (m)

3. Compare the effective torque T_h of the actuator under the operating pressure with the required one T_s .

Select a rotary actuator with : $T_h > T_s$

Refer to the tables :
 PRO : page 5
 PRN miniature : page 13
 PRN high torque : page 21

When a the load is moving

The required torque for moving a load is the total of resistance torque and acceleration torque.

The resistance torque is the sum of friction, gravity and external force and torques.

The acceleration torque is provided to accelerate the load to certain speed against inertia.

1. Calculating the resistance torque T_r

a) Determine the resistance force, arm length from actuator and operating pressure.

Required force F(N)
 Arm length from actuator l (m)
 Operating pressure P(bar)

b) Calculate the resistance torque T_r

$T_r = k \times F \times l$ (N.m)

k : margin factor k = 2 when there is no load variation
 k = 5 when there is a load variation

Note : When there is a load variation, if $k < 5$, the angular velocity increases and thus smooth operation cannot be obtained

2. Calculating the acceleration torque T_a

a) Determine the oscillating angle θ and oscillating time t. Oscillating time is the time required for the vane to operate from starting point to the oscillation end.

Oscillating angle θ (rad) $90^\circ = 1.5708$ rad
 $180^\circ = 3.1416$ rad
 $270^\circ = 4.7124$ rad

Oscilating time t (s)

b) Calculate the moment of inertia

The moment of inertia is determined from the shape and the mass of the load.

Moment of inertia J (kg.m²)

c) Calculating angular acceleration

$\alpha = \theta / t^2$ (rad/s²)

θ (rad) : Oscillating angle
 t (s) : Oscilating time

d) Calculating acceleration torque T_a

$T_a = 5 \times J \times \alpha$ (N.m)

J : Moment of inertia of the load (kg.m²)

α : Angular acceleration (rad/s²)

3. Calculating the required torque T_s

$T_s = T_r + T_a$ (N.m)

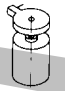
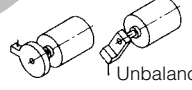
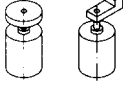
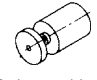
T_r : Resistance torque (N.m)

T_a : Acceleration torque (N.m)

4. Compare the effective torque T_h of the actuator under the operating pressure with the required one T_s .

Select a rotary actuator with : $T_h > T_s$

Refer to :
 PRO: p 5, PRN miniature: p 13, PRN high torque: p21

Calculating the resistance torque	Horizontal load	Vertical load
Required	<p>Load resistance exists</p> <p>External force</p>  <p>Balanced load Unbalanced load</p>	<p>Load resistance exists</p> <p>External force</p>  <p>Balanced load Unbalanced load Gravity</p>
Not required	<p>No load resistance exists</p> <p>Balanced load Unbalanced load</p> 	<p>No load resistance exists</p> <p>Balanced load</p> 

Selecting a pneumatic Rotary Actuator (cont.)

Step 2 : Checking the oscillating time

Check if the oscillating time is within the specification of each model. Refer to the pages :

PRO :	page 6
PRN miniature :	page 14
PRN high torque :	page 21

Step 3 : Checking the allowable energy

On the inertia matter, use the rotary actuator so that the inertial energy is lower than the allowable energy of the rotary actuator. Check as indicated here after :

1. Calculate the angular velocity ω

$$\omega = \theta / t \text{ (rad/s)}$$

θ (rad) : Oscillating angle
 t (s) : Oscillating time

2. Calculate the inertial energy of the load E

$$E = 1/2 \times J \times \omega^2 \text{ (J)}$$

J : Moment of inertia of the load (kg.m²)
 ω : Angular velocity (rad/s)

3. Check if the inertial energy E is within the allowable energy indicated in the specifications of each actuator.

PRO :	page 5
PRN miniature :	page 13
PRN high torque :	page 21

Note :

If the inertial energy exceeds the allowable energy, the actuator may be damaged. Therefore, it is necessary to take the following measures :

- Select a larger size the allowable energy of which is higher than the energy required
- Slow down the oscillating time
- Use a hydro-cushion CRN (high torque PRN)
- Fit a cushion or other shock absorber directly on the load side.

Selecting a hydro-cushion CRN

1. Calculate the moment of inertia by the shape and mass of the load, and make sure that it is within the allowable energy of the hydro-check

2. Make sure that the collision angular velocity is less than the maximum allowable (refer to the table page 25)

$$\omega_0 = 1,2 \times \omega \text{ (°/s)}$$

ω : Mean angular velocity (°/s)

3. Calculate the collision energy from the load and the collision angular velocity

$$E1 = 1/2 \times J \times \omega_0^2 \text{ (J)}$$

J : Moment of inertia (kg.m²)

ω_0 : Collision angular velocity (rad/s) 1° = 0.0174 rad

4. Find the energy generated from the torque of the actuator

$$E2 = 1/2 \times T \times \theta \text{ (J)}$$

T : Torque of the rotary actuator (N.m)

θ : Absorbtion angle of the cushion (one side)

refer to page 25 (rad)

5. Check that E1 + E2 is equal or less than the maximum absorbstion energy

(table page 25)

6. Find the energy per minute from the operation frequency

$$Em = 2 \times N \times (E1+E2) \text{ (J/mn)}$$

N : operation frequency (mn)

7. Make sure that Em is equal or less than the maximum energy capacity per mn (table page 25)

Reference data for selecting HI-ROTOR

Calculating the moment of inertia

Shape	Sketch	Requirement	Inertia moment I (kgcm ²)	Radius of gyration	Remarks
Disc		Diameter d (cm) Mass m (kg)	$I = m \cdot \frac{d^2}{8}$	$\frac{d^2}{8}$	
Stepped disc		Diameter d ₁ (cm) Diameter d ₂ (cm) Mass portion d ₁ m ₁ (kg) Mass portion d ₂ m ₂ (kg)	$I = m_1 \cdot \frac{d_1^2}{8} + m_2 \cdot \frac{d_2^2}{8}$	-	When portion d ₂ is much smaller than portion d ₁ , value of d ₂ is negligible.
Bar (with rotating center at the end)		Bar length l (cm) Mass m (kg)	$I = m \cdot \frac{l^2}{3}$	$\frac{l^2}{3}$	If the ratio of the bar width : length is over 0.3, use formula for rectangle.
Rectangular parallelepiped		Side length a (cm) Side length b (cm) Distance between the center of gravity and rotation l (cm) Mass m (kg)	$I = m \cdot (l^2 + \frac{a^2+b^2}{12})$	$l^2 + \frac{a^2+b^2}{12}$	
Bar (with rotating center at the center)		Bar length l (cm) Mass m (kg)	$I = m \cdot \frac{l^2}{12}$	$\frac{l^2}{12}$	If the ratio of the bar width : length is over 0.3, use formula for rectangle.
Rectangular parallelepiped		Side length a (cm) Side length b (cm) Mass m (kg)	$I = m \cdot \frac{a^2+b^2}{12}$	$\frac{a^2+b^2}{12}$	
Concentrated load		Shape of concentrated load Disc Diameter of disc d (cm) Arm length l (cm) Mass of concentrated load m ₁ (kg) Mass of arm m ₂ (kg)	$I = m_1 \cdot l^2 + m_1 \cdot K_1^2 + m_2 \cdot \frac{l^2}{12}$ Case of disc $K_1^2 = \frac{d^2}{8}$	K_1^2 : Select from above this column	If m ₂ is much smaller than m ₁ , assume m ₂ to be 0 for calculation.

How to convert the inertia of load applied through gears "I_L" for HI-ROTOR's shaft

Gear		Gear HI-ROTOR side a Load side b Inertia moment of load I _L (kgcm ²)	Inertia moment of load HI-ROTOR's shaft $I_H = (\frac{a}{b})^2 I_L$	-	When a large gear is required, it is necessary to take inertia moment of gear into consideration.
------	--	---	--	---	---

Rotary Actuators - Common instructions

Installation



Warning

The Rotary Actuators should be installed according to the rules of safe use of compressed air and the general rules relating to systems, especially the European Machinery Directive.

Do not apply excessive stress to the shaft.

1. Heavy thrust load should be avoided

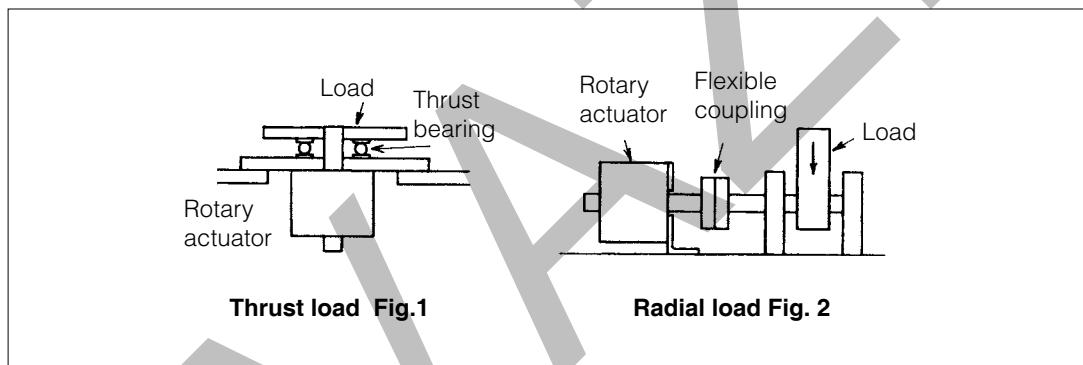
When the thrust load is higher than the allowable thrust load prescribed in the specifications, please use a bearing as shown in fig. 1.

2. Heavy radial loads should be avoided

When the radial load is higher than the allowable radial load prescribed the specifications, please use flexible coupling as shown in fig. 2.

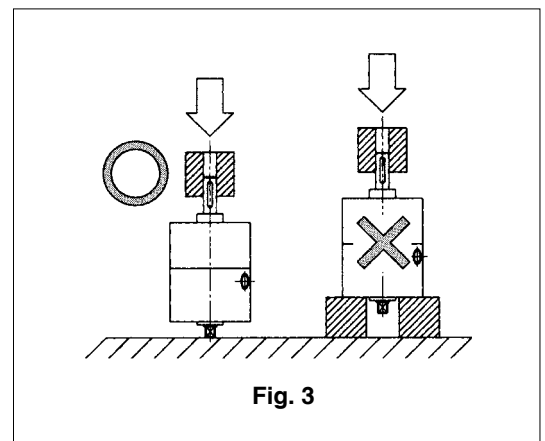
3. Check the allowable energy

If the impact energy is higher than the allowable energy, use a CRN hydro-cushion or external stoppers operating directly on the load.



Do not hit the shaft when the body is fixed or the body when the shaft is fixed.

When mounting a load or couplings on the shaft, set the rotary actuator in such a way that the body does not receive any force, as shown in the Fig. 3.



Lubrication



Caution

The rotary actuators listed in this catalogue operate non-lubricated.

This product is design to be used with non-lubricated air, however, they may be used with or without lubricated air. When used with lubricated air, this must be continued as the original lubricant may have run off, which could result in operation failure.

When using a lubricant, Class 1 turbine oil ISO VG32 (containing additive) is recommended. Do not use spindle oil and machine oil, that may damage the seals.

Parker Worldwide

Europe, Middle East, Africa

AE – United Arab Emirates, Dubai
Tel: +971 4 8127100
parker.me@parker.com

AT – Austria, Wiener Neustadt
Tel: +43 (0)2622 23501-0
parker.austria@parker.com

AT – Eastern Europe, Wiener Neustadt
Tel: +43 (0)2622 23501 900
parker.easteurope@parker.com

AZ – Azerbaijan, Baku
Tel: +994 50 2233 458
parker.azerbaijan@parker.com

BE/LU – Belgium, Nivelles
Tel: +32 (0)67 280 900
parker.belgium@parker.com

BY – Belarus, Minsk
Tel: +375 17 209 9399
parker.belarus@parker.com

CH – Switzerland, Etoy
Tel: +41 (0)21 821 87 00
parker.switzerland@parker.com

CZ – Czech Republic, Klecany
Tel: +420 284 083 111
parker.czechrepublic@parker.com

DE – Germany, Kaarst
Tel: +49 (0)2131 4016 0
parker.germany@parker.com

DK – Denmark, Ballerup
Tel: +45 43 56 04 00
parker.denmark@parker.com

ES – Spain, Madrid
Tel: +34 902 330 001
parker.spain@parker.com

FI – Finland, Vantaa
Tel: +358 (0)20 753 2500
parker.finland@parker.com

FR – France, Contamine s/Arve
Tel: +33 (0)4 50 25 80 25
parker.france@parker.com

GR – Greece, Athens
Tel: +30 210 933 6450
parker.greece@parker.com

HU – Hungary, Budapest
Tel: +36 1 220 4155
parker.hungary@parker.com

IE – Ireland, Dublin
Tel: +353 (0)1 466 6370
parker.ireland@parker.com

IT – Italy, Corsico (MI)
Tel: +39 02 45 19 21
parker.italy@parker.com

KZ – Kazakhstan, Almaty
Tel: +7 7272 505 800
parker.easteurope@parker.com

NL – The Netherlands, Oldenzaal
Tel: +31 (0)541 585 000
parker.nl@parker.com

NO – Norway, Asker
Tel: +47 66 75 34 00
parker.norway@parker.com

PL – Poland, Warsaw
Tel: +48 (0)22 573 24 00
parker.poland@parker.com

PT – Portugal, Leca da Palmeira
Tel: +351 22 999 7360
parker.portugal@parker.com

RO – Romania, Bucharest
Tel: +40 21 252 1382
parker.romania@parker.com

RU – Russia, Moscow
Tel: +7 495 645-2156
parker.russia@parker.com

SE – Sweden, Spånga
Tel: +46 (0)8 59 79 50 00
parker.sweden@parker.com

SK – Slovakia, Banská Bystrica
Tel: +421 484 162 252
parker.slovakia@parker.com

SL – Slovenia, Novo Mesto
Tel: +386 7 337 6650
parker.slovenia@parker.com

TR – Turkey, Istanbul
Tel: +90 216 4997081
parker.turkey@parker.com

UA – Ukraine, Kiev
Tel: +380 44 494 2731
parker.ukraine@parker.com

UK – United Kingdom, Warwick
Tel: +44 (0)1926 317 878
parker.uk@parker.com

ZA – South Africa, Kempton Park
Tel: +27 (0)11 961 0700
parker.southafrica@parker.com

North America

CA – Canada, Milton, Ontario
Tel: +1 905 693 3000

US – USA, Cleveland
Tel: +1 216 896 3000

Asia Pacific

AU – Australia, Castle Hill
Tel: +61 (0)2-9634 7777

CN – China, Shanghai
Tel: +86 21 2899 5000

HK – Hong Kong
Tel: +852 2428 8008

IN – India, Mumbai
Tel: +91 22 6513 7081-85

JP – Japan, Tokyo
Tel: +81 (0)3 6408 3901

KR – South Korea, Seoul
Tel: +82 2 559 0400

MY – Malaysia, Shah Alam
Tel: +60 3 7849 0800

NZ – New Zealand, Mt Wellington
Tel: +64 9 574 1744

SG – Singapore
Tel: +65 6887 6300

TH – Thailand, Bangkok
Tel: +662 186 7000-99

TW – Taiwan, Taipei
Tel: +886 2 2298 8987

South America

AR – Argentina, Buenos Aires
Tel: +54 3327 44 4129

BR – Brazil, Sao Jose dos Campos
Tel: +55 800 727 5374

CL – Chile, Santiago
Tel: +56 2 623 1216

MX – Mexico, Apodaca
Tel: +52 81 8156 6000

European Product Information Centre

Free phone: 00 800 27 27 5374

(from AT, BE, CH, CZ, DE, DK, EE, ES, FI, FR, IE, IL, IS, IT, LU, MT, NL, NO, PL, PT, RU, SE, SK, UK, ZA)

Parker Hannifin Ltd.

Tachbrook Park Drive
Tachbrook Park,
Warwick, CV34 6TU
United Kingdom
Tel.: +44 (0) 1926 317 878
Fax: +44 (0) 1926 317 855
parker.uk@parker.com
www.parker.com

