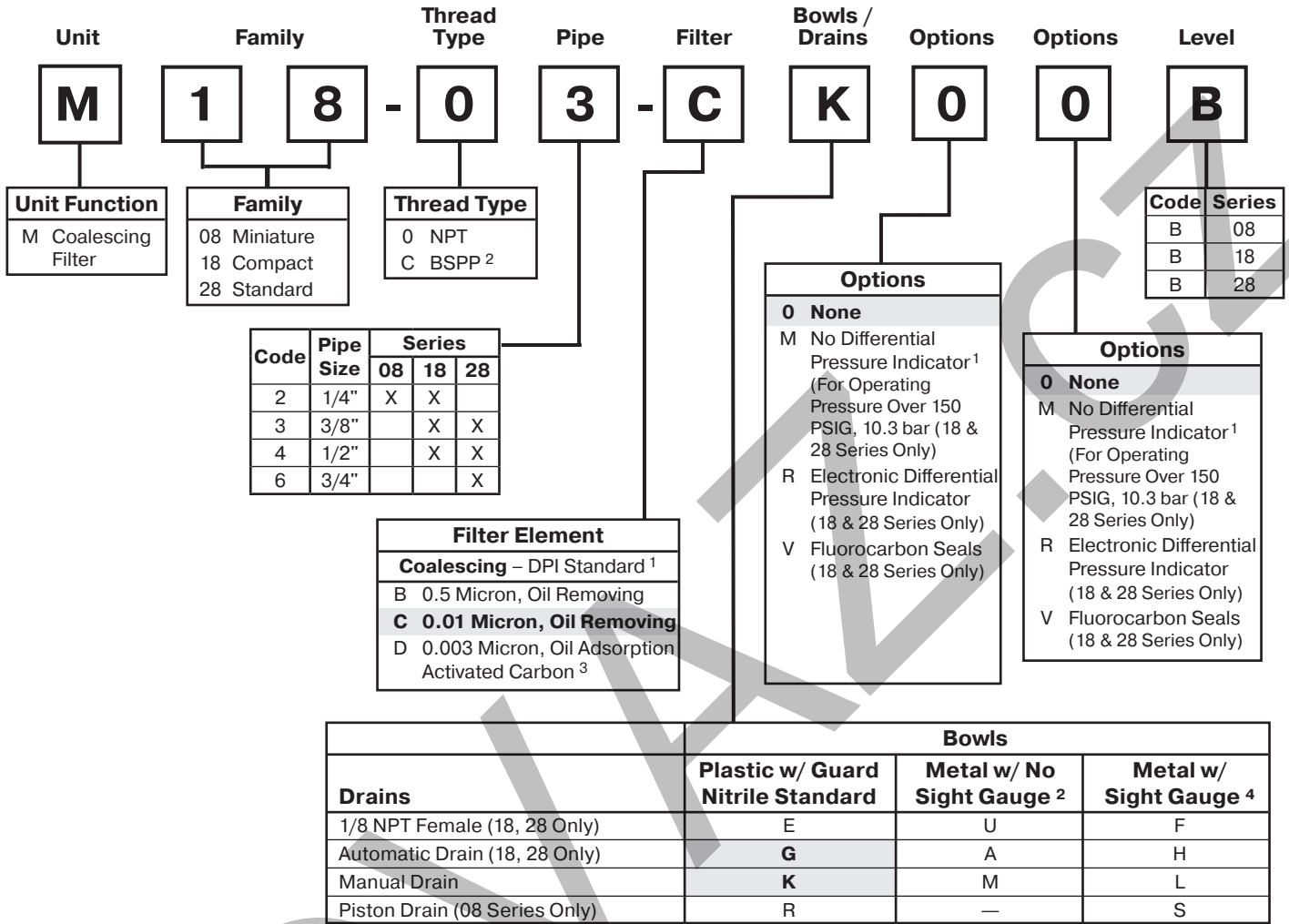


# Coalescing (Oil Removal) Numbering System

   = "Most Popular"



<sup>1</sup> "M" Option not available on 08 Series.

<sup>2</sup> ISO, R228 (G Series)

<sup>3</sup> Only C, D, K, and L bowl / drain configurations available.

<sup>4</sup> M08 filter has an all metal bowl (no sight gauge).

**"M" Series Coalescing Filters, with Type "B" 0.5 micron elements:**  
 All Wilkerson Type "M" Oil Removal (Coalescing) Filters with Type "B" 0.5 micron elements **exceed ISO Class 2** for maximum particle size and concentration of solid contaminants, and exceed Class 3 on maximum oil content (ppm/wt).

**"M" Series Coalescing Filters, with Type "C" 0.01 micron elements:**  
 All Wilkerson Type "M" Oil Removal (Coalescing) Filters with Type "C" 0.01 micron elements **exceed ISO Class 1** for maximum particle size and concentration of solid contaminants, and exceed Class 1 on maximum oil content (ppm/wt).

**"M" Series Adsorption Filters, with Type "D" activated carbon elements:** All Wilkerson Type "M" adsorption filters with Type "D" 0.003 micron activated carbon elements **exceed ISO Class 1** on maximum oil content (ppm/wt).

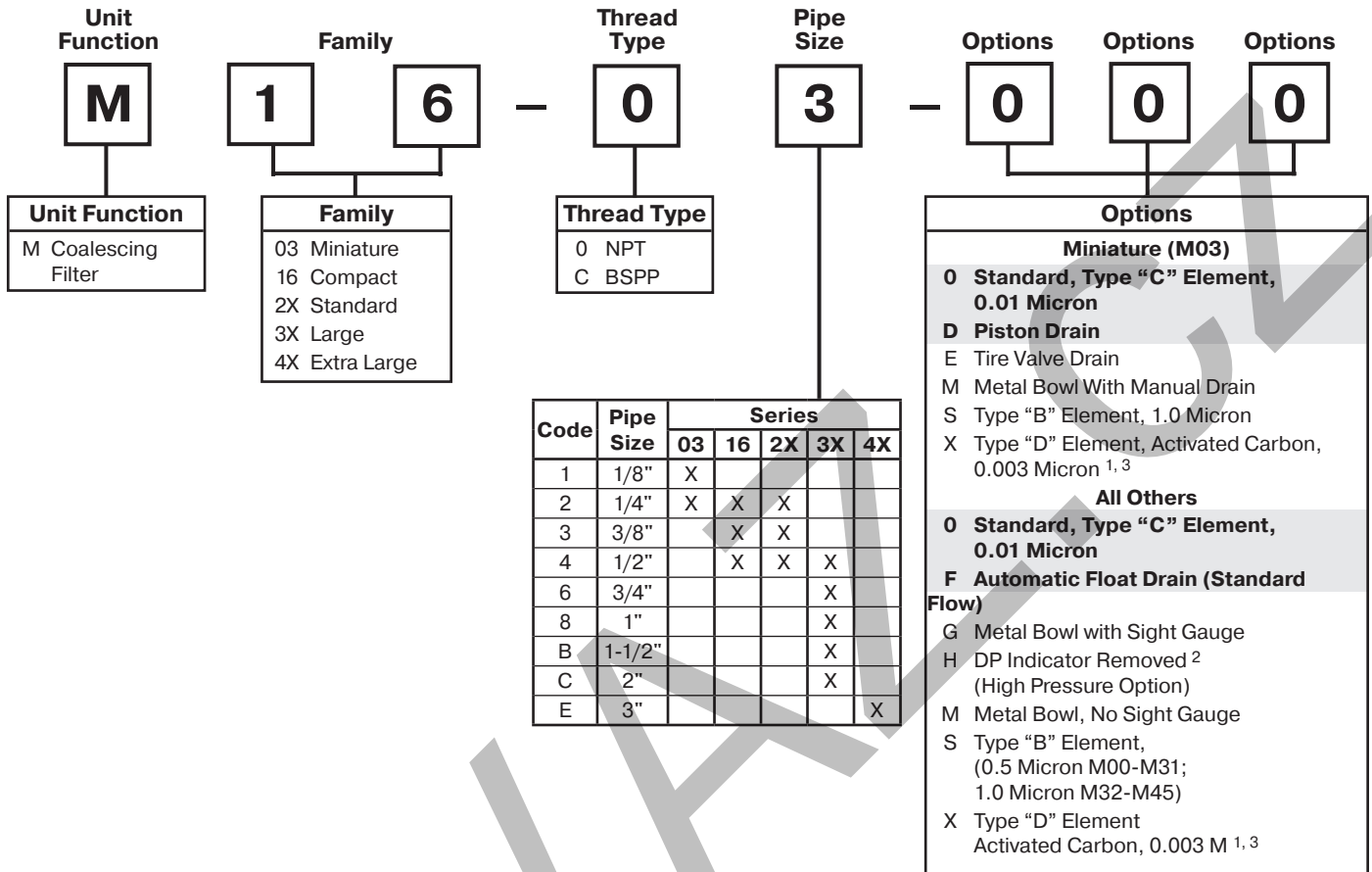
**NOTE:** All classes above refer to International Standards Organization (ISO) standard 8573-1, pertaining to maximum particle size and concentration of solid contaminants, and maximum oil content.

**Note:** When selecting from the options columns, please enter letters in alphabetical order for positions 7, 8, and 9. For example:

**M 18 - 03 - C K 0 0 B**

# Coalescing Filter Numbering System

   = "Most Popular"



<sup>1</sup> Auto Float Drains not available with M16, M26- units with Type "D" Activated Carbon Elements.

<sup>2</sup> Except Models M5X.

<sup>3</sup> Units with Type "D" element do not contain DP indicator.

**"M" Series Coalescing Filters, with Type "B" 0.5 micron elements:** All Wilkerson Type "M" Oil Removal (Coalescing) Filters with Type "B" 0.5 micron elements **exceed ISO** Class 2 for maximum particle size and concentration of solid contaminants, and exceed Class 3 on maximum oil content (ppm/wt).

**"M" Series Coalescing Filters, with Type "C" 0.01 micron elements:** All Wilkerson Type "M" Oil Removal (Coalescing) Filters with Type "C" 0.01 micron elements **exceed ISO** Class 1 for maximum particle size and concentration of solid contaminants, and exceed Class 1 on maximum oil content (ppm/wt).

**"M" Series Adsorption Filters, with Type "D" activated carbon elements:** All Wilkerson Type "M" adsorption filters with Type "D" activated carbon elements **exceed ISO** Class 1 on maximum oil content (ppm/wt).

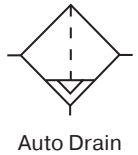
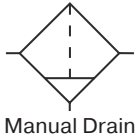
**NOTE:** All classes above refer to International Standards Organization (ISO) standard 8573-1:1991(E), pertaining to maximum particle size and concentration of solid contaminants, and maximum oil content.

**If more than one option is desired, arrange them in alphabetical order in positions 6, 7, and 8.**

**NOTE:** 000 in position 6, 7, and 8 signifies standard product.

# Coalescing Filter M03

= "Most Popular"



**M03-02-000**

## Features

- Removes Liquid Aerosols and Sub-micron Particles
- Liquids Gravitate to the Bottom of the Element and Will Not Re-enter the Airstream
- Oil Free Air for Critical Applications, such as Air Gauging and Pneumatic Instrumentation and Controls

## Specifications

Flow Capacity*	1/8 1/4	17.0 SCFM (8 dm <sup>3</sup> /s) 20.0 SCFM (9 dm <sup>3</sup> /s)
Maximum Supply Pressure		
Polycarbonate Bowl		0 to 150 PSIG (0 to 10.3 bar)
Metal Bowl		0 to 250 PSIG (0 to 17.2 bar)
Piston Drain		10 to 250 PSIG (0.7 to 17.2 bar)
Operating Temperature		
Polycarbonate Bowl		32°F to 125°F (0°C to 52°C)
Metal Bowl		32°F to 175°F (0°C to 80°C)
Piston Drain		32°F to 125°F (6°C to 52°C)
Port Size	NPT	1/8, 1/4
Standard Filtration	Micron	(B) 1.0, (C) 0.01 (D) 0.003 ppm / wt**
Weight		.41 lb. (.18 kg)

\* Inlet pressure 90 PSIG (6.2 bar). Pressure drop 5 PSID (0.3 bar).

\*\*Filtration temperature of 70°F (21°C) @ 100 PSIG (6.9 bar) with typical compressor lubricating oil and protected by Type C filter.

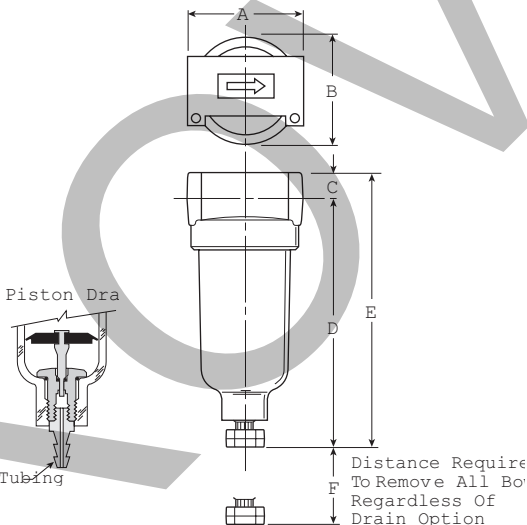
**"M" Series Coalescing Filters, with Type "B" 1 micron elements:**  
All Wilkerson Type "M" Oil Removal (Coalescing) Filters with Type "B" 0.5 micron elements **exceed ISO** Class 2 for maximum particle size and concentration of solid contaminants, and exceed Class 3 on maximum oil content (ppm/wt).

**"M" Series Coalescing Filters, with Type "C" 0.01 micron elements:** All Wilkerson Type "M" Oil Removal (Coalescing) Filters with Type "C" 0.01 micron elements **exceed ISO** Class 1 for maximum particle size and concentration of solid contaminants, and exceed Class 1 on maximum oil content (ppm/wt).

**"M" Series Adsorption Filters, with Type "D" 0.003 micron activated carbon elements:** All Wilkerson Type "M" adsorption filters with Type "D" 0.003 micron activated carbon elements **exceed ISO** Class 1 on maximum oil content (ppm/wt).

## Materials of Construction

Body	Zinc
Bowls – Transparent	Polycarbonate
Metal (Without Sight Gauge)	Zinc
Deflector, Element Holder & Baffle	Plastic
Drains	
Manual Drain – Body & Stem	Plastic
Seals	Nitrile
Piston Drain – Piston & Seals	Nitrile
Stem, Seat, Adaptor & Washers	Aluminum
Filter Element	Plastic
Seals	Nitrile



## Dimensions

Models	Inches (mm)	A	B	C	D	E	F
Standard Unit M03-XX-000		1.69 (43)	1.53 (39)	.39 (10)	3.82 (97)	4.21 (107)	1.60 (41)
Piston Drain M03-XX-D00		1.69 (43)	1.53 (39)	.39 (10)	3.87 (99)	4.26 (108)	1.60 (41)

= "Most Popular"

### Replacement Bowl Kits

Metal Bowl –  
 Manual Drain .....PS451B  
 Piston Drain .....PS447B

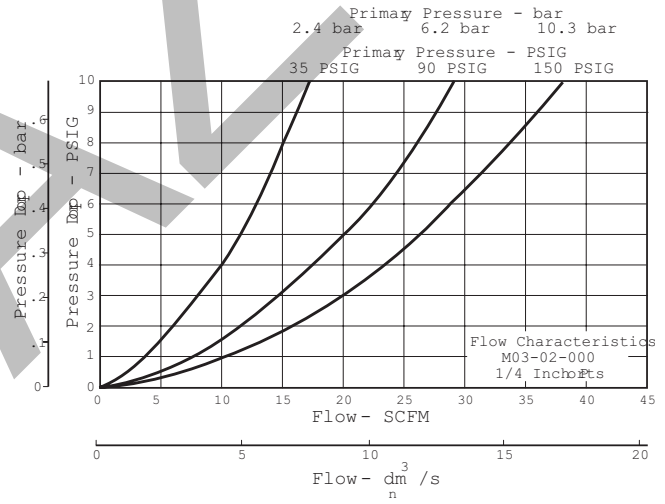
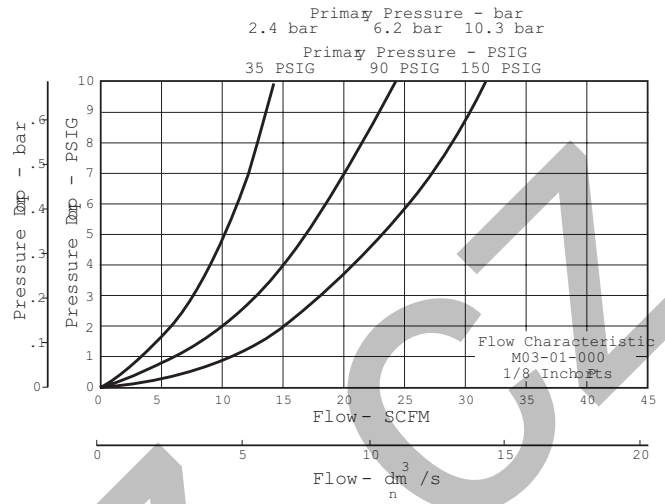
Plastic Bowl –  
 Manual Drain .....PS404  
 Piston Drain .....PS408B

### Replacement Element Kits

Type "B", 1.0 Micron .....PS456  
 Type "C", 0.01 Micron .....PS446  
 Type "D", Oil Vapor Removing .....PS452

### Accessories

Mounting Bracket Kit .....PS417B

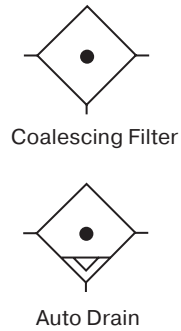


### Ordering Information

Model Type	Port Size	Polycarbonate Bowl / "C" Element	Metal Bowl / "C" Element	Polycarbonate Bowl / "B" Micron Element	Polycarbonate Bowl / "D" Element
Manual Drain	1/8	M03-01-000	M03-01-M00	M03-01-S00	M03-01-X00
	1/4	M03-02-000	M03-02-M00	M03-02-S00	M03-02-X00

Options - To order an option supplied with the unit model, add the appropriate coded suffix letter in the designated position of the model number.

# Coalescing Filter M08



## Specifications

Flow Capacity*		
1.0 Micron Coalescing		12.0 SCFM (5.5 dm <sup>3</sup> /s, ANR)
0.01 Micron Coalescing		7.5 SCFM (3.6 dm <sup>3</sup> /s, ANR)
Activated Carbon Adsorber		12.7 SCFM (6 dm <sup>3</sup> /s, ANR)
Maximum Supply Pressure	Plastic Bowl	150 PSIG (10 bar)
	Metal Bowl	250 PSIG (17 bar)
Operating Temperature	Plastic Bowl	14° to 125°F (-10° to 52°C)
	Metal Bowl	14° to 150°F (-10° to 65.5°C)
Port Size	NPT / BSPP-G	1/4
Bowl Capacity		0.4 oz
Standard Filtration	Micron	(B) .5, (C) 0.01
		(D) .003 ppm wt**
Weight		0.24 lb. (0.11 kg)

\* Inlet pressure 91.3 PSIG (6.3 bar). Pressure drop 3 PSIG (0.2 bar).

\*\*Filtration temperature of 70°F (21°C) @ 100 PSIG (6.9 bar) with typical compressor lubricating oil and protected by Type C filter.

**“M” Series Coalescing Filters, with Type “B” 0.5 micron elements:** All Wilkerson Type “M” Oil Removal (Coalescing) Filters with Type “B” 0.5 micron elements exceed ISO Class 2 for maximum particle size and concentration of solid contaminants, and exceed Class 3 on maximum oil content (ppm/wt).

**“M” Series Coalescing Filters, with Type “C” 0.01 micron elements:** All Wilkerson Type “M” Oil Removal (Coalescing) Filters with Type “C” 0.01 micron elements exceed ISO Class 1 for maximum particle size and concentration of solid contaminants, and exceed Class 1 on maximum oil content (ppm/wt).

**“M” Series Adsorption Filters, with Type “D” 0.003 micron activated carbon elements:** All Wilkerson Type “M” adsorption filters with Type “D” 0.003 micron activated carbon elements exceed ISO Class 1 on maximum oil content (ppm/wt).

## Features

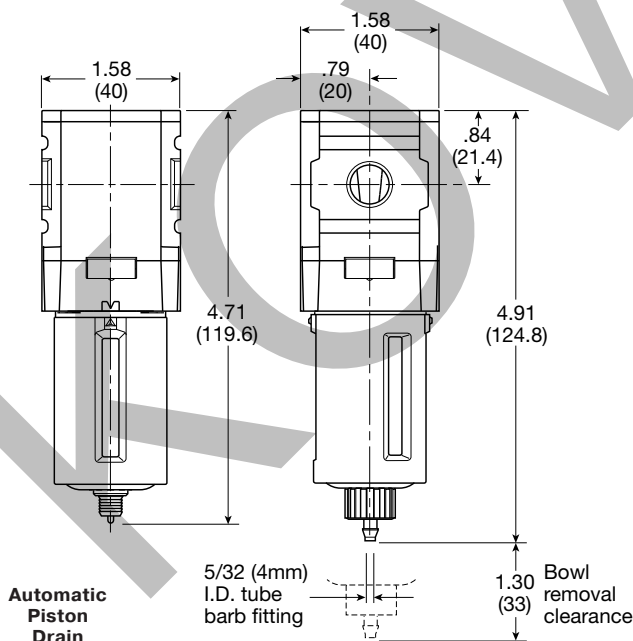
- High-efficiency Removal of Water, Oil Aerosols, and Solid Particulate Contaminants Down to 0.01 ppm / wt with Minimum Pressure Drop
- Modern Design and Appearance
- Light Weight
- High Flow Capacity
- Bowl Guard
- Quick-disconnect Bowl

## Materials of Construction

Body	Aluminum	
Body Cap	ABS	
Bowl	Plastic Bowl	Polycarbonate
	Metal Bowl	Aluminum
Filter Element	Type “B”, “C”	Borosilicate Cloth
	Type “D”	Activated Carbon
Seals	Nitrile	

**Notes:** To optimize the life of the coalescing element, it is advisable to install a pre-filter with a 5 micron element upstream of the coalescing filter.

To optimize the life of the adsorber element, it is advisable to install a coalescing 0.01 micron filter upstream of the adsorber filter.



Inches (mm)

= "Most Popular"

### Replacement Bowl Kits

- Metal Bowl, Manual Drain ..... GRP-96-714
- Plastic Bowl / Bowl Guard, Manual Drain..... GRP-96-712

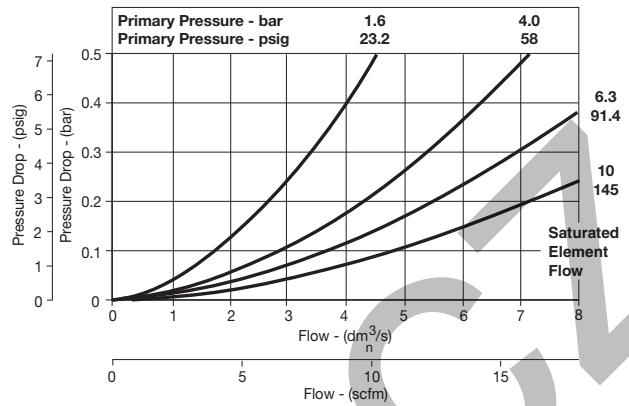
### Replacement Element Kits

- Type "B", 0.5 Micron ..... MSP-96-732
- Type "C", 0.01 Micron .....MTP-96-649
- Type "D", 0.003 Micron, Activated Carbon..... MXP-96-222

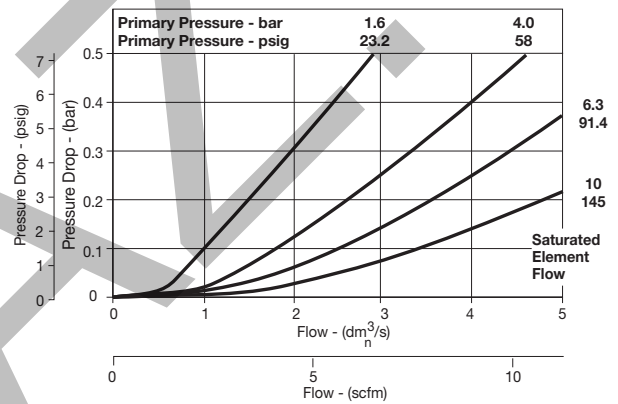
### Accessories

- Automatic Piston Drain..... GRP-96-716
- Wall Mounting Bracket –
- C-Type..... GPA-97-010
- T-Type ..... GPA-96-737

M08 1/4" Filter, 1.0 Micron



M08 1/4" Filter, 0.01 Micron

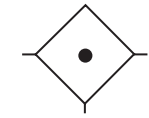


### Ordering Information

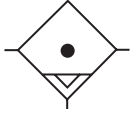
Model Type	Port Size	Plastic Bowl / Bowl Guard / C Element	Plastic Bowl / Bowl Guard / B Element	Plastic Bowl / Bowl Guard / D Element	Metal Bowl / C Element	Metal Bowl / B Element	Metal Bowl / D Element
<b>Manual Drain</b>	1/4	M08-02-CK00B	M08-02-BK00B	M08-02-DK00B	M08-02-CL00B	M08-02-BL00B	M08-02-DL00B
<b>Automatic Piston Drain</b>	1/4	M08-02-CR00B	M08-02-BR00B	M08-02-DR00B	M08-02-CS00B	M08-02-BS00B	M08-02-DS00B

Options - To order an option supplied with the unit model, add the appropriate coded suffix letter in the designated position of the model number.

# Coalescing Filter M18



Coalescing Filter



Auto Drain

## Features

- High-efficiency Removal of Water, Oil Aerosols, and Solid Particulate Contaminants Down to 0.01 ppm / wt with Minimum Pressure Drop
- Modern Design and Appearance
- Light Weight
- High Flow Capacity
- Bowl Guard
- Quick-disconnect Bowl

## Specifications

Flow Capacity*		
1.0 Micron Coalescing		53 SCFM (25 dm <sup>3</sup> /s, ANR)
0.01 Micron Coalescing		36 SCFM (17 dm <sup>3</sup> /s, ANR)
Activated Carbon Adsorber		85 SCFM (40 dm <sup>3</sup> /s, ANR)
Maximum Supply Pressure	Plastic Bowl	150 PSIG (10 bar)†
	Metal Bowl w/ DPI	150 PSIG (10 bar)†
	Metal Bowl w/o DPI	250 PSIG (17 bar)†
Operating Temperature	Plastic Bowl	-13° to 125°F (-25° to 52°C)
	Metal Bowl	-13° to 150°F (-25° to 65.5°C)
Port Size	NPT / BSPP-G	1/4, 3/8, 1/2
Bowl Capacity		1.72 oz
Standard Filtration Micron		(B) 0.5, (C) 0.01
		(D) 0.003 ppm wt**
Weight		0.71 lb (0.32 kg)

\* Inlet pressure 91.3 PSIG (6.3 bar). Pressure drop 3 PSIG (0.2 bar).

\*\* Filtration temperature of 70°F (21°C) @ 100 PSIG (6.9 bar) with typical compressor lubricating oil and protected by Type C filter.

† Without pressure indicator — max. supply pressure for metal bowl version is 250 PSIG (17.2 bar).

**“M” Series Coalescing Filters, with Type “B” 0.5 micron elements:** All Wilkerson Type “M” Oil Removal (Coalescing) Filters with Type “B” 0.5 micron elements **exceed ISO** Class 2 for maximum particle size and concentration of solid contaminants, and exceed Class 3 on maximum oil content (ppm/wt).

**“M” Series Coalescing Filters, with Type “C” 0.01 micron elements:** All Wilkerson Type “M” Oil Removal (Coalescing) Filters with Type “C” 0.01 micron elements **exceed ISO** Class 1 for maximum particle size and concentration of solid contaminants, and exceed Class 1 on maximum oil content (ppm/wt).

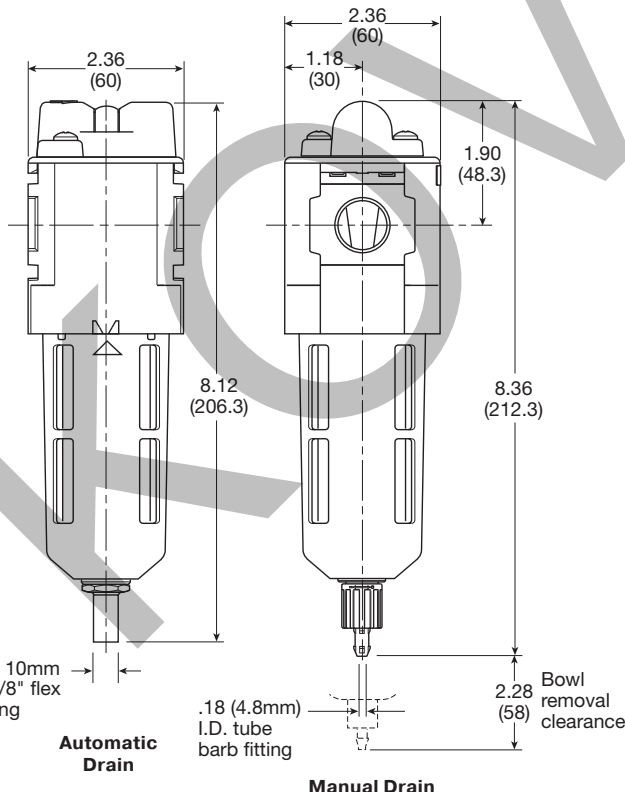
**“M” Series Adsorption Filters, with Type “D” 0.003 micron activated carbon elements:** All Wilkerson Type “M” adsorption filters with Type “D” 0.003 micron activated carbon elements **exceed ISO** Class 1 on maximum oil content (ppm/wt).

## Materials of Construction

Body	Aluminum	
Body Cap	ABS	
Bowl	Plastic Bowl	Polycarbonate
	Metal Bowl	Aluminum
Filter Element	Type “B”, “C”	Borosilicate Cloth
	Type “D”	Activated Carbon
Seals	Nitrile	
Sight Gauge	Metal Bowl	Polyamide (Nylon)

**Notes:** To optimize the life of the coalescing element, it is advisable to install a pre-filter with a 5 micron element upstream of the coalescing filter.

To optimize the life of the adsorber element, it is advisable to install a coalescing 0.01 micron filter upstream of the adsorber filter.



Inches (mm)

= "Most Popular"

### Replacement Bowl Kits

- Metal Bowl with Sight Gauge,  
Automatic Float Drain ..... GRP-96-637
- Metal Bowl with Sight Gauge, Manual Drain ..... GRP-96-636
- Plastic Bowl –  
Bowl Guard, Auto Drain ..... GRP-96-635
- Bowl Guard, Manual Drain ..... GRP-96-634

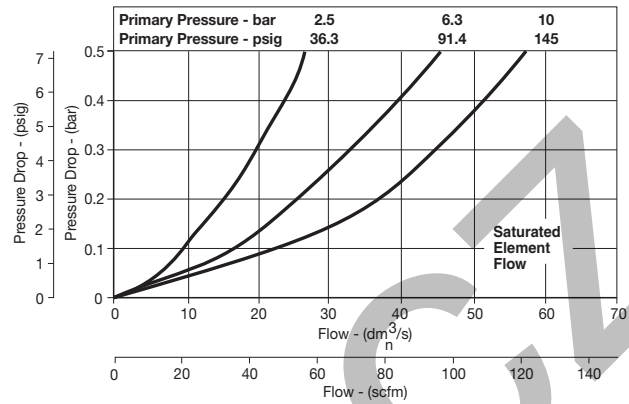
### Replacement Element Kits

- Type "B", 0.5 Micron ..... MSP-96-647
- Type "C", 0.01 Micron ..... MTP-96-646
- Type "D", 0.003 Micron Activated Carbon ..... MXP-96-650

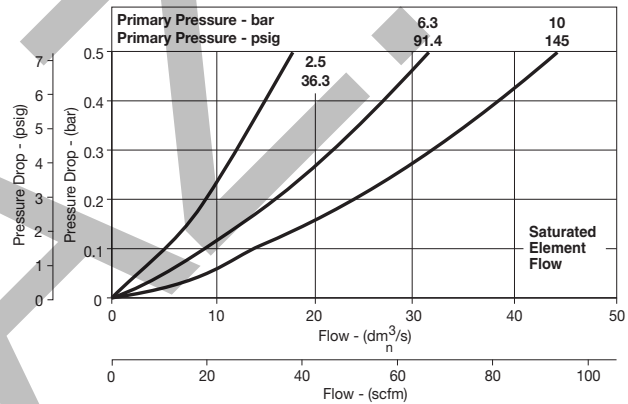
### Accessories

- Automatic Drain –  
Fluorocarbon ..... GRP-95-981
- Nitrile ..... GRP-95-973
- DPI Replacement Kit ..... DP8-01-000
- Electronic DPI Conversion Kit ..... GRP-96-823  
(Converts visual DPI to electronic DPI)
- Electronic DPI Replacement Kit ..... GRP-96-824
- Manual Drain ..... GRP-96-685
- Sight Gauge Kit ..... GRP-96-825
- Wall Mounting Bracket –  
L-Type ..... GPA-96-604
- T-Type ..... GPA-96-602

M18 1/2" Filter, 1.0 Micron



M18 1/4" Filter, 0.01 Micron



### Ordering Information

Model Type	Port Size	Plastic Bowl / Bowl Guard / C Element	Plastic Bowl / Bowl Guard / B Element	Plastic Bowl / Bowl Guard / D Element	Metal Bowl / Sight Gauge / C Element	Metal Bowl / Sight Gauge / B Element	Metal Bowl / Sight Gauge / D Element
<b>Manual Drain</b>	1/4	M18-02-CK00B	M18-02-BK00B	M18-02-DK00B	M18-02-CL00B	M18-02-BL00B	M18-02-DL00B
	3/8	M18-03-CK00B	M18-03-BK00B	M18-03-DK00B	M18-03-CL00B	M18-03-BL00B	M18-03-DL00B
	1/2	M18-04-CK00B	M18-04-BK00B	M18-04-DK00B	M18-04-CL00B	M18-04-BL00B	M18-04-DL00B
<b>Automatic Drain</b>	1/4	M18-02-CG00B	M18-02-BG00B	N/A	M18-02-CH00B	M18-02-BH00B	N/A
	3/8	M18-03-CG00B	M18-03-BG00B	N/A	M18-03-CH00B	M18-03-BH00B	N/A
	1/2	M18-04-CG00B	M18-04-BG00B	N/A	M18-04-CH00B	M18-04-BH00B	N/A

**Options** - To order an option supplied with the unit model, add the appropriate coded suffix letter in the designated position of the model number.



# Coalescing Filter M16

= "Most Popular"



**M16-02-000**

## Features

- Manual Drain
- 0.01 Micron Rated Filter Element
- Quick-disconnect Bowl Guard with Integral Plastic Bowl and Safety Latch
- Differential Pressure Indicator Standard

## Specifications

Flow Capacity*	1/4	37.0 SCFM (17.5 dm <sup>3</sup> /s)
	3/8	44.7 SCFM (21.0 dm <sup>3</sup> /s)
	1/2	46.1 SCFM (21.7 dm <sup>3</sup> /s)
Maximum Supply Pressure	Plastic Bowl	150 PSIG (10.3 bar)
	Metal Bowl	200 PSIG (13.8 bar)
Operating Temperature	Plastic Bowl	32° to 125°F (0° to 52°C)
	Metal Bowl	32° to 150°F (0° to 65.5°C)
Port Size	NPT / BSPP-G	1/4, 3/8, 1/2
Bowl Capacity	2.7 oz	
Standard Filtration Micron	(B) 0.5, (C) 0.01	
	(D) 0.003 ppm / wt**	
Weight	1.8 lb.(0.8 kg)	

\* Inlet pressure 150 PSIG (10.3 bar). Pressure drop 3 PSID (0.2 bar).

\*\* Filtration temperature of 70°F (21°C) @ 100 PSIG (6.9 bar) with typical compressor lubricating oil and protected by Type "C" filter.

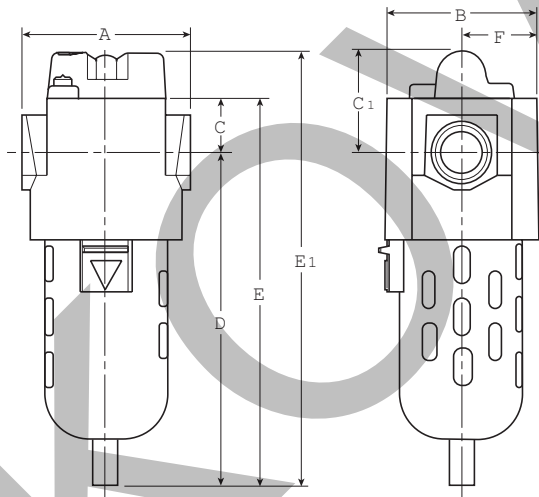
**"M" Series Coalescing Filters, with Type "B" 0.5 micron elements:** All Wilkerson Type "M" Oil Removal (Coalescing) Filters with Type "B" 0.5 micron elements **exceed ISO** Class 2 for maximum particle size and concentration of solid contaminants, and exceed Class 3 on maximum oil content (ppm/wt).

**"M" Series Coalescing Filters, with Type "C" 0.01 micron elements:** All Wilkerson Type "M" Oil Removal (Coalescing) Filters with Type "C" 0.01 micron elements **exceed ISO** Class 1 for maximum particle size and concentration of solid contaminants, and exceed Class 1 on maximum oil content (ppm/wt).

**"M" Series Adsorption Filters, with Type "D" 0.003 micron activated carbon elements:** All Wilkerson Type "M" adsorption filters with Type "D" 0.003 micron activated carbon elements **exceed ISO** Class 1 on maximum oil content (ppm/wt).

## Materials of Construction

Body		Zinc
Bowls	Plastic Bowl	Polycarbonate
	Metal Bowl	Zinc
Element Retainer	Brass Stud	
Filter Elements	Type "B", "C"	Borosilicate Cloth
	Type "D"	Activated Carbon
Seals	Fluorocarbon	



## Dimensions

Models	Inches (mm)	A	B	C	C <sub>1</sub>	D	E	E <sub>1</sub>	F
Standard Unit M16-XX-000		3.00 (76)	2.60 (66)	1.00 (25.4)	1.83 (46.5)	5.67 (144)	6.67 (169)	7.50 (190.5)	1.30 (33)
Automatic Drain M16-XX-F00		3.00 (76)	2.60 (66)	1.00 (25.4)	1.83 (46.5)	5.81 (148)	6.81 (173)	7.64 (190.5)	1.30 (33)

= "Most Popular"

### Replacement Bowl Kits

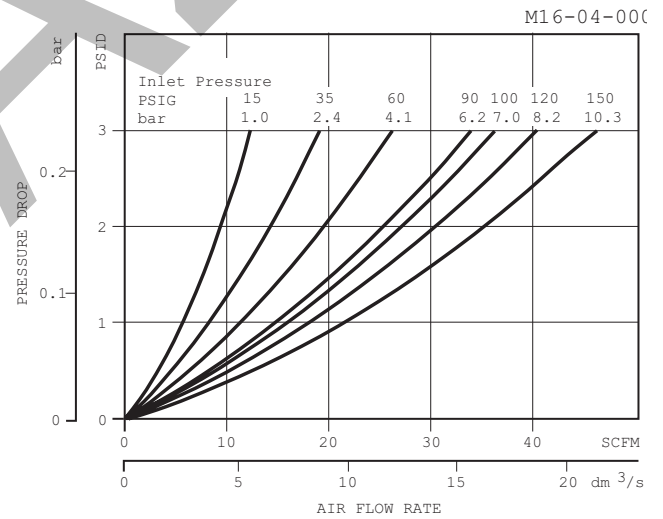
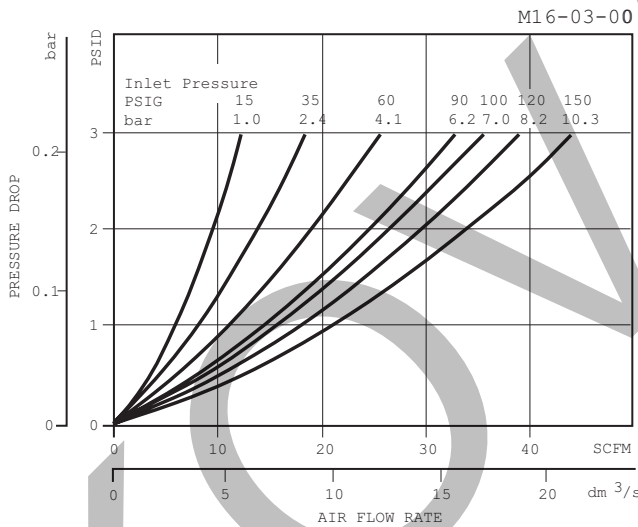
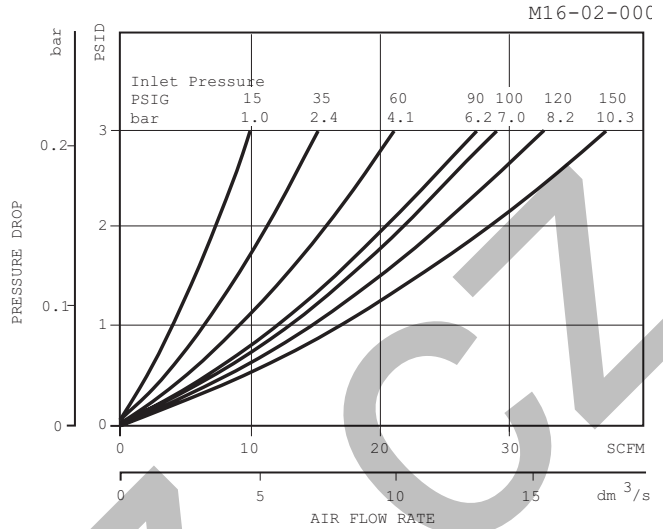
- Metal Bowl –
  - Automatic Drain ..... FRP-95-950
  - Manual Drain ..... FRP-95-178
- Plastic Bowl –
  - Bowl Guard, Auto Drain ..... FRP-95-015
  - Bowl Guard, Manual Drain ..... FRP-95-014
  - Manual Drain ..... FRP-95-017

### Replacement Element Kits

- Type "B", 0.5 Micron ..... MSP-95-988
- Type "C", 0.01 Micron ..... MTP-95-548
- Type "D", Oil Vapor Removing ..... MXP-95-987

### Accessories

- Automatic Mechanical Drain ..... GRP-95-973
- Cap, Differential Pressure Indicator –
  - For pressures over 150 PSIG ..... GRP-95-020
- Differential Pressure Indicator ..... DP2-02-000
- Manual Drain ..... FRP-95-610
- Sight Gauge Kit ..... GRP-95-079
- Wall Mounting Bracket, L-Type ..... GPA-95-016



### Ordering Information

Model Type	Port Size	Polycarbonate Bowl / Bowl Guard / "C" Element	Metal Bowl / "C" Element	Polycarbonate Bowl / Bowl Guard / "B" Element	Polycarbonate Bowl / Bowl Guard / "D" Element (No DPI)
Manual Drain	1/4	M16-02-000	M16-02-M00	M16-02-S00	M16-02-X00
	3/8	M16-03-000	M16-03-M00	M16-03-S00	M16-03-X00
	1/2	M16-04-000	M16-04-M00	M16-04-S00	M16-04-X00
Automatic Drain	1/4	M16-02-F00	M16-02-FM0	M16-02-FS0	—
	3/8	M16-03-F00	M16-03-FM0	M16-03-FS0	—
	1/2	M16-04-F00	M16-04-FM0	M16-04-FS0	—

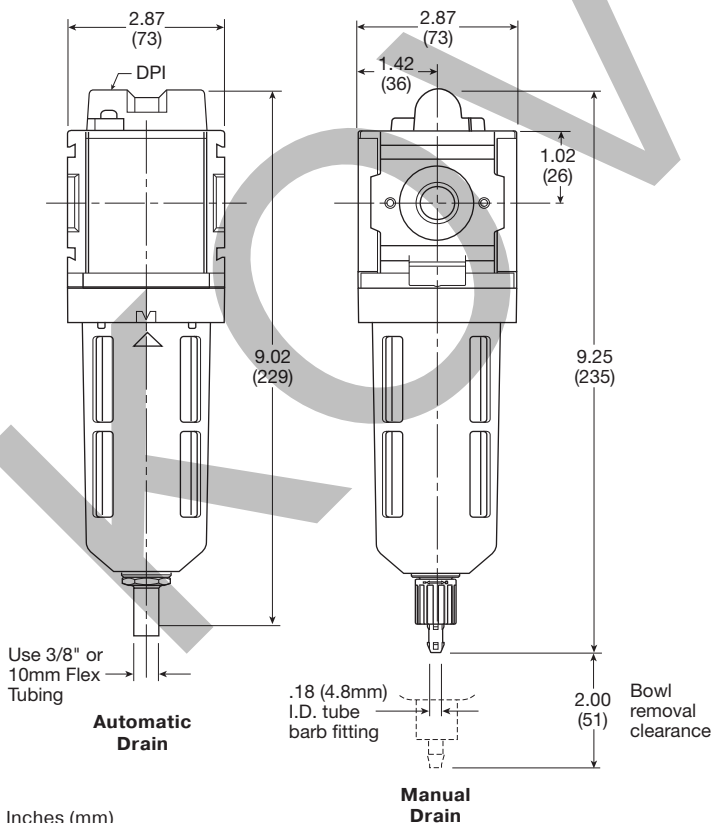
Options - To order an option supplied with the unit model, add the appropriate coded suffix letter in the designated position of the model number.

# Coalescing Filter M28



## Features

- High-efficiency Removal of Water, Oil Aerosols, and Solid Particulate Contaminants Down to 0.01 ppm / wt with Minimum Pressure Drop
- Modern Design and Appearance
- Light Weight
- High Flow Capacity
- Bowl Guard
- Quick-disconnect Bowl



## Specifications

Flow Capacity*		
1.0 Micron Coalescing		68 SCFM (32 dm <sup>3</sup> /s, ANR)
0.01 Micron Coalescing		42 SCFM (20 dm <sup>3</sup> /s, ANR)
Activated Carbon Adsorber		72 SCFM (34 dm <sup>3</sup> /s, ANR)
Maximum Supply Pressure	Plastic Bowl	150 PSIG (10.3 bar)†
	Metal Bowl	150 PSIG (10.3 bar)†
Operating Temperature	Plastic Bowl	-13° to 125°F (-25° to 52°C)
	Metal Bowl	-13° to 150°F (-25° to 65.5°C)
Port Size	NPT / BSPP-G	3/8, 1/2, 3/4
Bowl Capacity		2.87 oz
Standard Filtration Micron		(B) 0.5, (C) 0.01
		(D) 0.003 ppm wt**
Weight		1.10 lb. (0.5 kg)

\* Inlet pressure 91.3 PSIG (6.3 bar). Pressure drop 3 PSIG (0.2 bar).

\*\* Filtration temperature of 70°F (21°C) @ 100 PSIG (6.9 bar) with typical compressor lubricating oil and protected by Type C filter.

† Without pressure indicator — max. supply pressure for metal bowl version is 250 PSIG (17.2 bar)

**“M” Series Coalescing Filters, with Type “B” 0.5 micron elements:** All Wilkerson Type “M” Oil Removal (Coalescing) Filters with Type “B” 0.5 micron elements **exceed ISO** Class 2 for maximum particle size and concentration of solid contaminants, and exceed Class 3 on maximum oil content (ppm/wt).

**“M” Series Coalescing Filters, with Type “C” 0.01 micron elements:** All Wilkerson Type “M” Oil Removal (Coalescing) Filters with Type “C” 0.01 micron elements **exceed ISO** Class 1 for maximum particle size and concentration of solid contaminants, and exceed Class 1 on maximum oil content (ppm/wt).

**“M” Series Adsorption Filters, with Type “D” 0.003 micron activated carbon elements:** All Wilkerson Type “M” adsorption filters with Type “D” 0.003 micron activated carbon elements **exceed ISO** Class 1 on maximum oil content (ppm/wt).

## Materials of Construction

Body	Aluminum	
Body Cap	ABS	
Bowls	Plastic Bowl	Polycarbonate
	Metal Bowl	Aluminum
Filter Element	Type “B”, “C”	Borosilicate Cloth
	Type “D”	Activated Carbon
Seals	Nitrile	
Sight Gauge	Metal Bowl	Polyamide (Nylon)

**Notes:** To optimize the life of the coalescing element, it is advisable to install a pre-filter with a 5 micron element upstream of the coalescing filter.

To optimize the life of the adsorber element, it is advisable to install a coalescing 0.01 micron filter upstream of the adsorber filter.

Inches (mm)

= "Most Popular"

### Replacement Bowl Kits

- Metal Bowl with Sight Gauge,  
Automatic Float Drain ..... GRP-96-645
- Metal Bowl with Sight Gauge, Manual Drain ..... GRP-96-644
- Plastic Bowl –  
Bowl Guard, Auto Drain ..... GRP-96-643
- Bowl Guard, Manual Drain ..... GRP-96-642

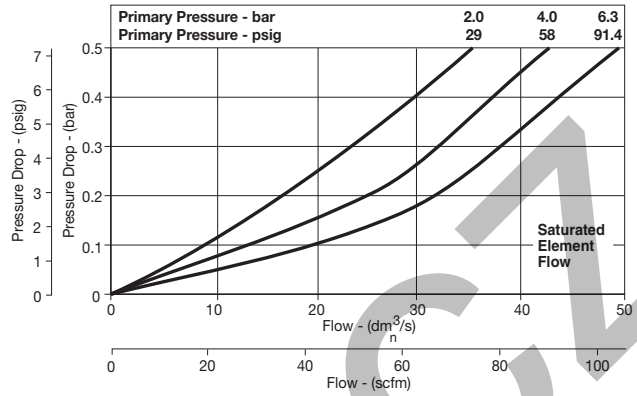
### Replacement Element Kits

- Type "B", 0.5 Micron ..... MSP-96-649
- Type "C", 0.01 Micron ..... MTP-96-648
- Type "D", 0.003 Micron Activated Carbon..... MXP-96-651

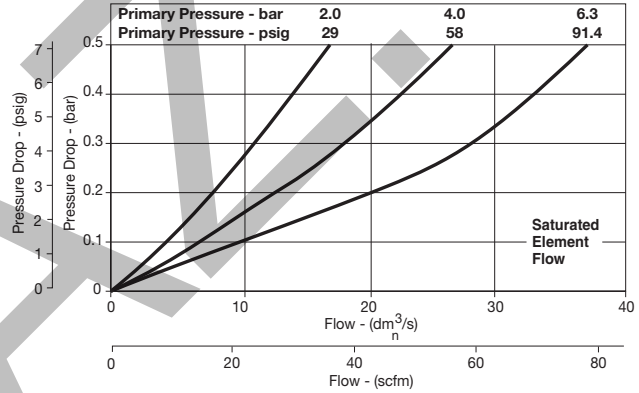
### Accessories

- Automatic Drain –  
Fluorocarbon ..... GRP-95-981
- Nitrile ..... GRP-95-973
- DPI Replacement Kit..... DP8-01-000
- Electronic DPI Conversion Kit..... GRP-96-823  
(Converts visual DPI to electronic DPI)
- Electronic DPI Replacement Kit..... GRP-96-824
- Manual Drain..... GRP-96-685
- Sight Gauge Kit ..... GRP-96-825
- Wall Mounting Bracket–  
L-Type..... GPA-96-605
- T-Type ..... GPA-96-602

M28 3/4" Filter, 1.0 Micron



M28 3/4" Filter, 0.01 Micron



### Ordering Information

Model Type	Port Size	Plastic Bowl / Bowl Guard / C Element	Plastic Bowl / Bowl Guard / B Element	Plastic Bowl / Bowl Guard / D Element	Metal Bowl / Sight Gauge / C Element	Metal Bowl / Sight Gauge / B Element	Metal Bowl / Sight Gauge / D Element
<b>Manual Drain</b>	3/8	M28-03-CK00B	M28-03-BK00B	M28-03-DK00B	M28-03-CL00B	M28-03-BL00B	M28-03-DL00B
	1/2	M28-04-CK00B	M28-04-BK00B	M28-04-DK00B	M28-04-CL00B	M28-04-BL00B	M28-04-DL00B
	3/4	M28-06-CK00B	M28-06-BK00B	M28-06-DK00B	M28-06-CL00B	M28-06-BL00B	M28-06-DL00B
<b>Automatic Drain</b>	3/8	M28-03-CG00B	M28-03-BG00B	N/A	M28-03-CH00B	M28-03-BH00B	N/A
	1/2	M28-04-CG00B	M28-04-BG00B	N/A	M28-04-CH00B	M28-04-BH00B	N/A
	3/4	M28-06-CG00B	M28-06-BG00B	N/A	M28-06-CH00B	M28-06-BH00B	N/A

**Options** - To order an option supplied with the unit model, add the appropriate coded suffix letter in the designated position of the model number.

# Coalescing Filter M26

= "Most Popular"



M26-02-000

## Features

- Manual Drain
- 0.01 Micron Rated Filter Element
- Quick-disconnect Bowl Guard with Integral Plastic Bowl and Safety Latch
- Differential Pressure Indicator

## Specifications

Flow Capacity*	1/4	55.0 SCFM (25.9 dm <sup>3</sup> /s)
	3/8	65.5 SCFM (30.9 dm <sup>3</sup> /s)
	1/2	79.5 SCFM (37.5 dm <sup>3</sup> /s)
Maximum Supply Pressure	Plastic Bowl	150 PSIG (10.3 bar)
	Metal Bowl	200 PSIG (13.8 bar)
Operating Temperature	Plastic Bowl	32° to 125°F (0° to 52°C)
	Metal Bowl	32° to 150°F (0° to 65.5°C)
Standard Filtration	Micron	(B) 0.5, (C) 0.01
		(D) 0.003 ppm / wt**
Port Size	NPT / BSPP-G	1/4, 3/8, 1/2
Bowl Capacity		1.7 oz
Weight		2.4 lb. (1.1 kg)

\* Inlet pressure 150 PSIG (10.3 bar). Pressure drop of 3 PSID (0.2 bar).

\*\* Filtration temperature of 70°F (21°C) @ 100 PSIG (6.9 bar) with typical compressor lubricating oil and protected by Type "C" filter.

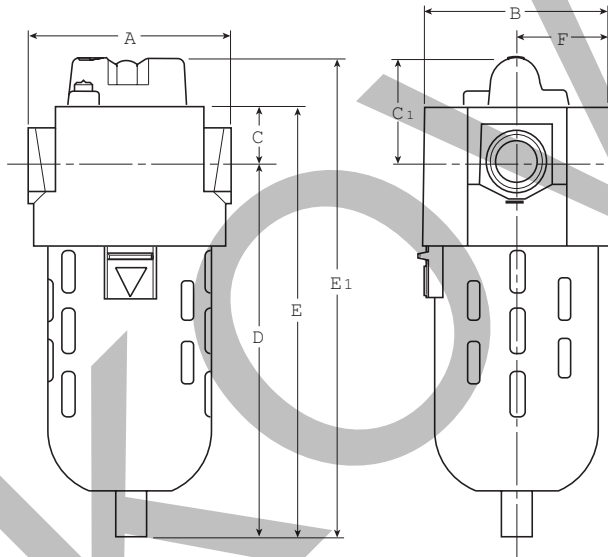
**"M" Series Coalescing Filters, with Type "B" 0.5 micron elements:** All Wilkerson Type "M" Oil Removal (Coalescing) Filters with Type "B" 0.5 micron elements **exceed ISO** Class 2 for maximum particle size and concentration of solid contaminants, and exceed Class 3 on maximum oil content (ppm/wt).

**"M" Series Coalescing Filters, with Type "C" 0.01 micron elements:** All Wilkerson Type "M" Oil Removal (Coalescing) Filters with Type "C" 0.01 micron elements **exceed ISO** Class 1 for maximum particle size and concentration of solid contaminants, and exceed Class 1 on maximum oil content (ppm/wt).

**"M" Series Adsorption Filters, with Type "D" 0.003 micron activated carbon elements:** All Wilkerson Type "M" adsorption filters with Type "D" 0.003 micron activated carbon elements **exceed ISO** Class 1 on maximum oil content (ppm/wt).

## Materials of Construction

Body		Zinc
Bowls	Plastic Bowl	Polycarbonate
	Metal Bowl	Zinc
Element Retainer		Brass Stud
Filter Elements	Type "B", "C"	Borosilicate Cloth
	Type "D"	Activated Carbon
Seals		Fluorocarbon



## Dimensions

Models	Inches (mm)	A	B	C	C <sub>1</sub>	D	E	E <sub>1</sub>	F
Standard Unit M26-XX-000		3.30 (84)	3.00 (76)	1.00 (25.4)	1.83 (46.5)	6.40 (162.6)	7.40 (188)	8.23 (209)	1.50 (38)
Automatic Drain M26-XX-F00		3.30 (84)	3.00 (76)	1.00 (25.4)	1.83 (46.5)	6.54 (166)	7.54 (191.5)	8.37 (212.5)	1.50 (38)

= "Most Popular"

### Replacement Bowl Kits

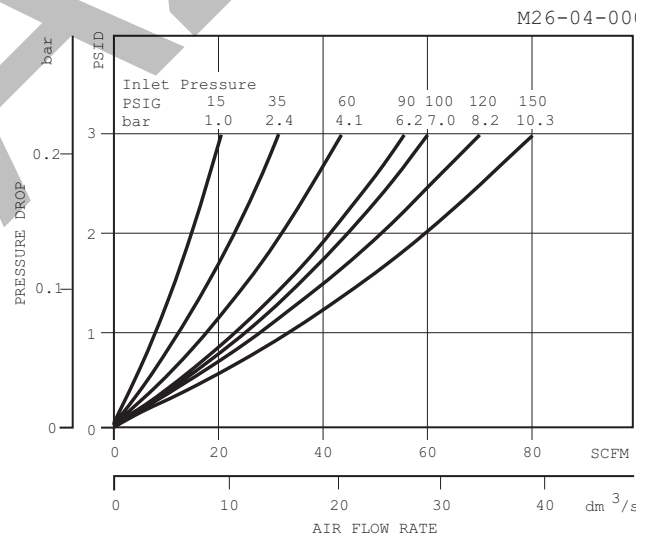
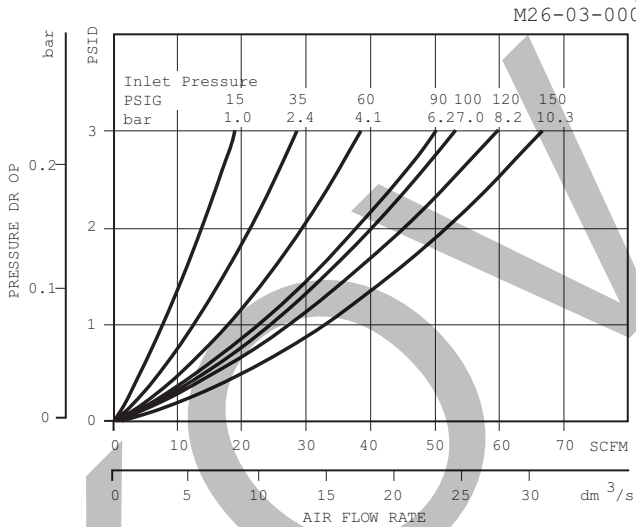
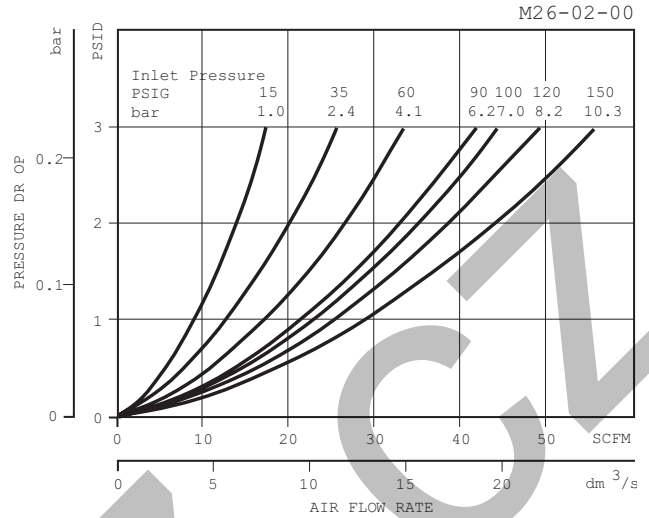
- Metal Bowl –  
 Manual Drain ..... GRP-95-930  
 Auto Drain..... GRP-95-960
- Plastic Bowl –  
 Manual Drain ..... GRP-95-929  
 Bowl Guard, Manual Drain ..... GRP-95-935  
 Bowl Guard, Auto Drain ..... GRP-95-948

### Replacement Element Kits

- Type "B", 0.5 Micron ..... MSP-95-989  
 Type "C", 0.01 Micron ..... MTP-95-549  
 Type "D", Oil Vapor Removing ..... MXP-95-540

### Accessories

- Automatic Mechanical Drain..... GRP-95-973  
 Cap, Differential Pressure Indicator –  
 For pressures over 150 PSIG..... GRP-95-020  
 Differential Pressure Indicator ..... DP2-02-000  
 Manual Flex-Tip ..... FRP-95-610  
 Sight Gauge Kit ..... GRP-95-079  
 Wall Mounting Bracket, L-Type..... GPA-95-946



### Ordering Information

Model Type	Port Size	Polycarbonate Bowl / Bowl Guard / "C" Element	Metal Bowl / "C" Element	Polycarbonate Bowl / Bowl Guard / "B" Element	Polycarbonate Bowl / Bowl Guard / "D" Element (No DPI)
Manual Drain	1/4	M26-02-000	M26-02-M00	M26-02-S00	M26-02-X00
	3/8	M26-03-000	M26-03-M00	M26-03-S00	M26-03-X00
	1/2	M26-04-000	M26-04-M00	M26-04-S00	M26-04-X00
Automatic Drain	1/4	M26-02-F00	M26-02-FM0	M26-02-FS0	—
	3/8	M26-03-F00	M26-03-FM0	M26-03-FS0	—
	1/2	M26-04-F00	M26-04-FM0	M26-04-FS0	—

Options - To order an option supplied with the unit model, add the appropriate coded suffix letter in the designated position of the model number.

# Coalescing Filter M21

= "Most Popular"



M21-03-000

## Features

- Manual Drain
- 0.01 Micron Rated Filter Element
- Quick-disconnect Bowl Guard with Integral Plastic Bowl and Safety Latch
- Differential Pressure Indicator

## Specifications

Flow Capacity*	3/8	95.4 SCFM (45.0 dm <sup>3</sup> /s)
Maximum Supply Pressure	Plastic Bowl	150 PSIG (10.3 bar)
Operating Temperature	Plastic Bowl	32° to 125°F (0° to 52°C)
Port Size	NPT / BSPP-G	3/8
Bowl Capacity		3.9 oz
Standard Filtration Micron		(B) 0.5, (C) 0.01 (D) 0.003 ppm / wt**
Weight		3.7 lb. (1.68 kg)

\* Inlet pressure 150 PSIG (10.3 bar). Pressure drop of 3 PSID (0.2 bar).

\*\* Filtration temperature of 70°F (21°C) @100 PSIG (6.9 bar) with typical compressor lubricating oil and protected by Type "C" filter.

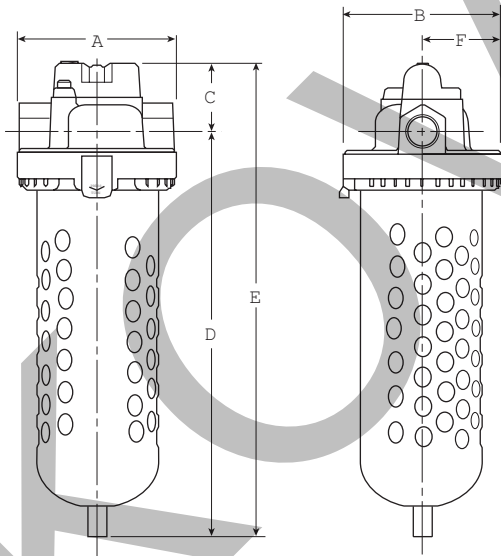
**"M" Series Coalescing Filters, with Type "B" 0.5 micron elements:** All Wilkerson Type "M" Oil Removal (Coalescing) Filters with Type "B" 0.5 micron elements **exceed ISO Class 2** for maximum particle size and concentration of solid contaminants, and exceed Class 3 on maximum oil content (ppm/wt).

**"M" Series Coalescing Filters, with Type "C" 0.01 micron elements:** All Wilkerson Type "M" Oil Removal (Coalescing) Filters with Type "C" 0.01 micron elements **exceed ISO Class 1** for maximum particle size and concentration of solid contaminants, and exceed Class 1 on maximum oil content (ppm/wt).

**"M" Series Adsorption Filters, with Type "D" 0.003 micron activated carbon elements:** All Wilkerson Type "M" adsorption filters with Type "D" 0.003 micron activated carbon elements **exceed ISO Class 1** on maximum oil content (ppm/wt).

## Materials of Construction

Body		Zinc
Bowl		Polycarbonate
Element Retainer		Brass Stud
Filter Elements	Type "B", "C" Type "D"	Borosilicate Cloth Activated Carbon
Seals		Fluorocarbon



## Dimensions

Models	Inches (mm)	A	B	C	D	E	F
Standard Unit M21-03-000		3.70 (94)	3.79 (96.5)	1.70 (43.2)	9.20 (233.7)	10.90 (276.9)	1.89 (48.1)
Automatic Drain M21-03-F00		3.70 (94)	3.79 (96.5)	1.70 (43.2)	9.58 (237)	11.22 (280)	1.89 (48.1)

= "Most Popular"

### Replacement Bowl Kits

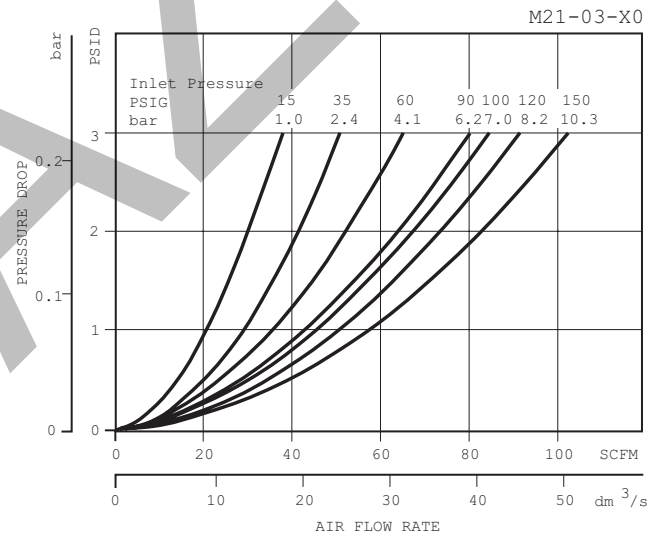
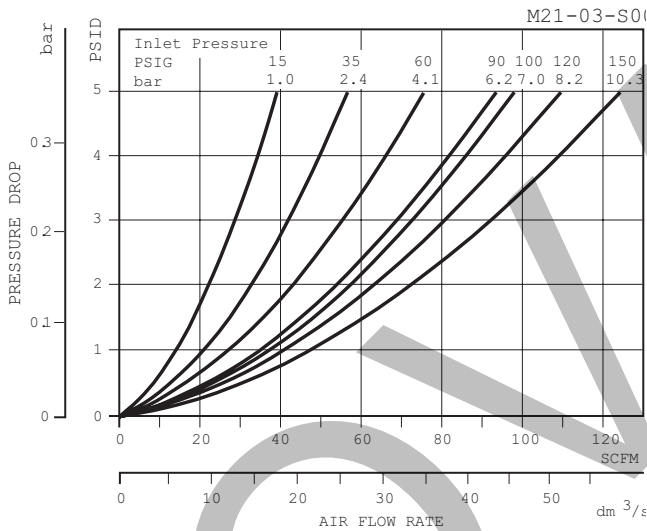
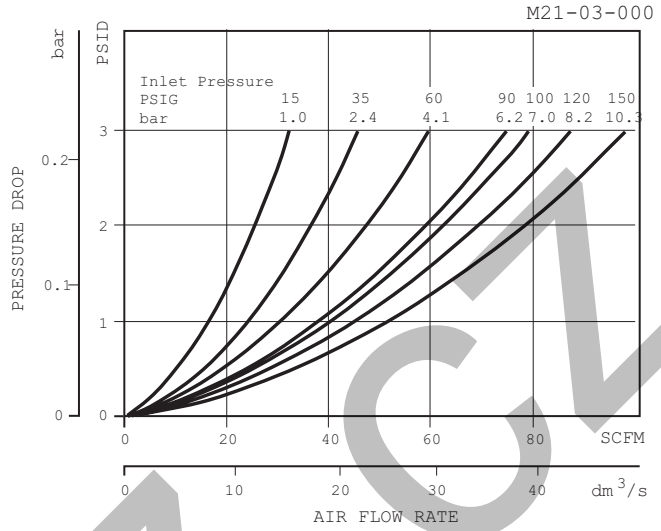
- Plastic Bowl –
- Bowl Guard, Manual Drain .....FRP-95-722
- Bowl Guard, Automatic Drain .....MRP-95-722

### Replacement Element Kits

- Type "B", 0.5 Micron .....MSP-95-990
- Type "C", 0.01 Micron .....MTP-95-550
- Type "D", Oil Vapor Removing .....MXP-95-537

### Accessories

- Automatic Drain.....GRP-95-973
- Cap, Differential Pressure Indicator –
- For pressures over 150 PSIG.....GRP-95-020
- Differential Pressure Indicator .....DP2-02-000
- Manual Flex-Tip .....FRP-95-610
- Wall Mounting Bracket, U-bolt Pipe Clamp .....GRP-95-734



### Ordering Information

Model Type	Port Size	Polycarbonate Bowl / Bowl Guard / "C" Element
Manual Drain	3/8	M21-03-000
Automatic Drain	3/8	M21-03-F00

Options - To order an option supplied with the unit model, add the appropriate coded suffix letter in the designated position of the model number.



# Coalescing Filter M90

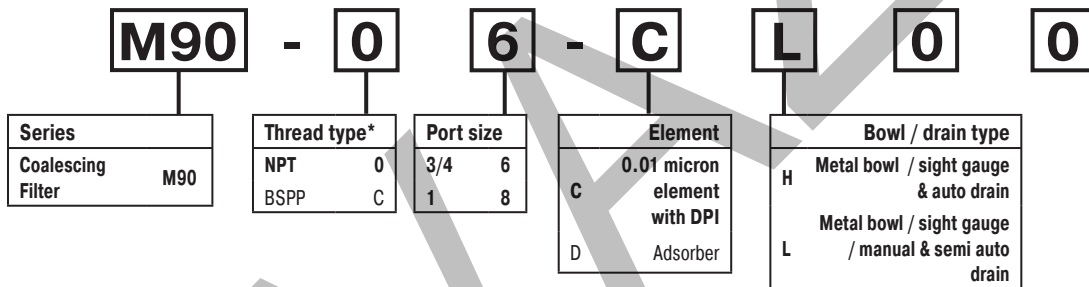
   = "Most Popular"



- Extended high efficiency filter element provides greater filtration surface area.
- Integral 3/4" or 1" ports (BSPP & NPT)
- Removes liquid aerosols and sub micron particles
- Oil free air for critical applications, such as air gauging, pneumatic instrumentation and control
- Adsorber activated carbon element removes oil vapors and most hydrocarbons
- Robust but lightweight aluminum construction

**Notes:** To optimize the life of the coalescing element, it is advisable to install a F90 pre-filter with a 5 micron element upstream of the coalescing filter.

To optimize the life of the adsorber element, it is advisable to install a 90 Series coalescing 0.01 micron filter upstream of the adsorber filter.



\*Note: For 1-1/2" ported unit, please order P3YKA\*BCP port block kit separately.  
**Bold items are most common.**

## Ordering Information

Port size	Description	Flow† scfm	Max. bar (psig)	Min temp °C (°F)	Max temp °C (°F)	Bowl capacity cm³ (oz)	Height mm (inches)	Width mm (inches)	Depth mm (inches)	Weight kg (lb)	Part number†
3/4"	Coalescing filter 0.01 micron, combined manual / semi auto drain	275	17.5 (254)	-10 (14)	60 (140)	130 (4.4)	340 (13.4)	90 (3.5)	94 (3.7)	1.6 (3.5)	<b>M90-06-CL00</b>
3/4"	Coalescing filter 0.01 micron, auto drain	275	17.5 (254)	-10 (14)	60 (140)	130 (4.4)	340 (13.4)	90 (3.5)	94 (3.7)	1.6 (3.5)	M90-06-CH00
1"	Coalescing filter 0.01 micron, combined manual / semi auto drain	307	17.5 (254)	-10 (14)	60 (140)	130 (4.4)	340 (13.4)	90 (3.5)	94 (3.7)	1.6 (3.5)	<b>M90-08-CL00</b>
1"	Coalescing filter 0.01 micron, auto drain	307	17.5 (254)	-10 (14)	60 (140)	130 (4.4)	340 (13.4)	90 (3.5)	94 (3.7)	1.6 (3.5)	M90-08-CH00

† Standard part numbers shown in bold. For other models refer to Options chart above.

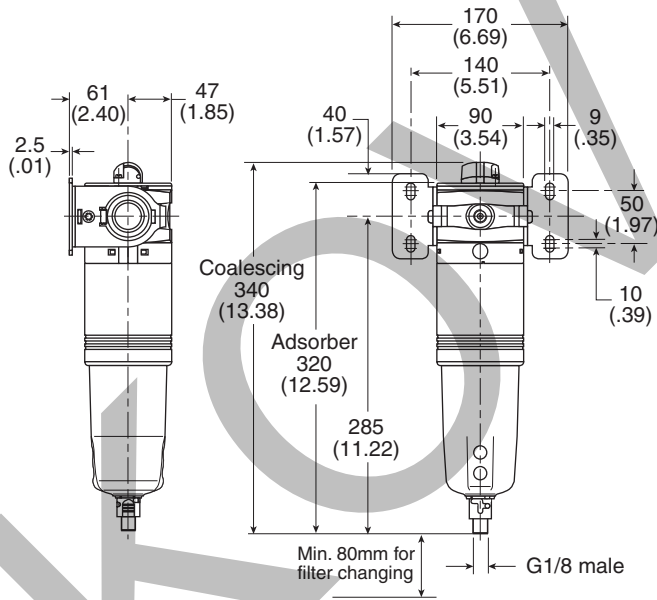
‡ Flow with 6.3 bar (91.4 psig) inlet pressure and 0.5 (7.3 psig) pressure drop.

**Specifications**

Fluid	Compressed air
Maximum inlet pressure*	17.5 bar (254 psig)
Temperature range*	-10°C to 60°C (14°F to 140°F)
Media specifications (Coalescer):	
Coalescing efficiency	99.97% (0.3 to 0.6 micron particles)
Max. oil carryover	0.008 mg/m <sup>3</sup>
Typical flow element @	
6.3 bar (91.4 psig) inlet pressure and	0.01 micron element
0.5 bar (7.3 psig) pressure drop	1" port 307 scfm
Media specifications (Adsorber):	
Max. oil carryover (PPM w/w)	0.008 mg/m <sup>3</sup>
Manual / semi-auto drain	Closed at 0.8 bar (11.6 psig) G1/8 thread male
Auto drain bowl pressure to close drain	0.8 bar (11.6 psig)
Operating range	0.8 bar (11.6 psig) to manual override facility
Bowl capacity	17.5 bar (254 psig) 130 cm <sup>3</sup> (4.4 US oz)

\* Air supply must be dry enough to avoid ice formation at temperatures below 2°C (35.6°F).

**Dimensions mm (inches)**



**Service kits**

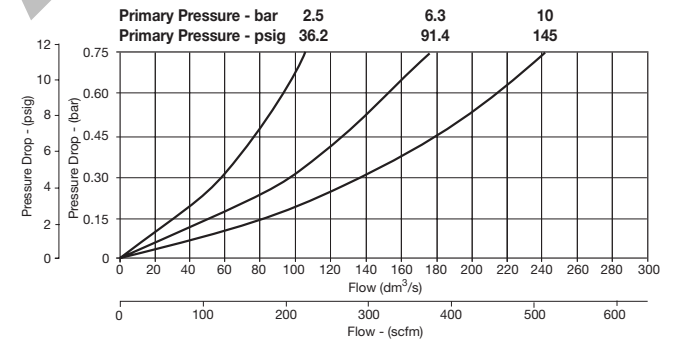
0.01 micron element kit.....	P3YKA00ESC
Adsorber element kit .....	P3YKA00ESA
Bowl kit with combined manual / semi auto drain.....	P3YKA00BSC
Bowl kit with auto drain .....	P3YKA00BSA
Differential pressure indicator kit .....	P3YKA00RQ

**Material specifications**

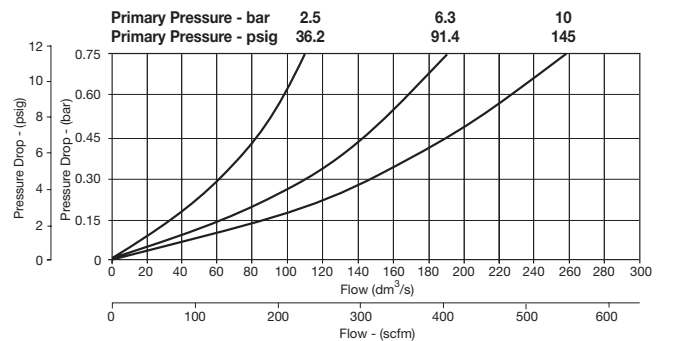
Body	Aluminum
Sight glass	Polypropylene
Filter cover	ABS
Coalescing element	Borosilicate & nano fibers
Top & bottom end cap (Coalescing)	Aluminum
Adsorber element	Activated carbon
Top & bottom end cap (Adsorber)	Glass filled nylon
Support cylinders	Grade 430 stainless steel
Support media	Polypropylene
Anti re-entrainment barrier	Polyester
Encapsulate	Epoxy resin / hardener
Seals	Nitrile NBR
Drains	Manual / semi-auto: Acetal Automatic: PA / Ø 10mm brass connection
Differential pressure indicator	
Body	Acetal
Internal parts	Acetal
Spring	Stainless steel
Seals	Nitrile NBR
Support plate	ABS
Screws	Steel / zinc plated

**Flow characteristics**

**(3/4") 0.01 Micron Coalescing Filter Saturated**



**(1") 0.01 Micron Coalescing Filter Saturated**



# Coalescing Filter M30

= "Most Popular"



**M30-04-000**

## Features

- Manual Drain
- 0.01 Micron Rated Filter Element
- Quick-disconnect Bowl Guard with Integral Plastic Bowl and Safety Latch
- Differential Pressure Indicator

## Specifications

Flow Capacity*	1/2	123 SCFM (58.2 dm <sup>3</sup> /s)
	3/4	173 SCFM (81.0 dm <sup>3</sup> /s)
	1	203 SCFM (96.0 dm <sup>3</sup> /s)
Maximum Supply Pressure	Plastic Bowl	150 PSIG (10.3 bar)
	Metal Bowl	200 PSIG (13.8 bar)
Operating Temperature	Plastic Bowl	32° to 125°F (0° to 52°C)
	Metal Bowl	32° to 150°F (0° to 65.5°C)
Port Size	NPT / BSPP-G	1/2, 3/4, 1
Bowl Capacity	2.0 oz	
Standard Filtration Micron	(B) 0.5, (C) 0.01	
	(D) 0.003 ppm / wt**	
Weight	5.4 lb. (2.4 kg)	

\* Inlet pressure 150 PSIG (10.3 bar). Pressure drop of 3 PSID (0.2 bar).

\*\* Filtration temperature of 70°F (21°C) @100 PSIG (6.9 bar) with typical compressor lubricating oil and protected by Type "C" filter.

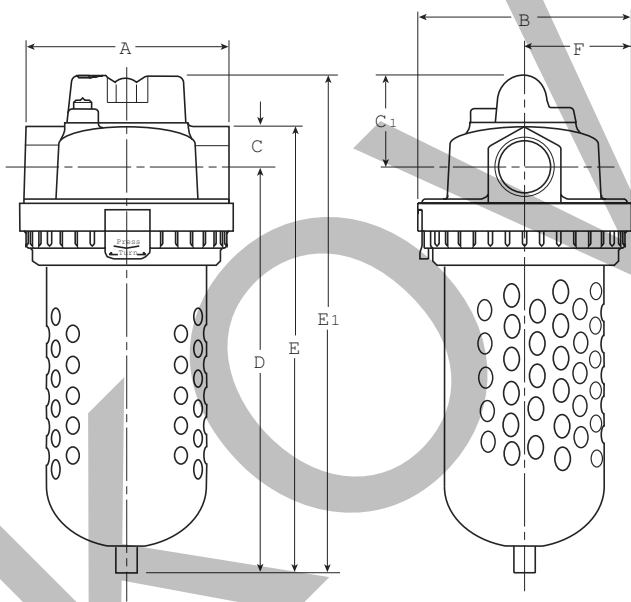
**"M" Series Coalescing Filters, with Type "B" 0.5 micron elements:** All Wilkerson Type "M" Oil Removal (Coalescing) Filters with Type "B" 0.5 micron elements **exceed ISO** Class 2 for maximum particle size and concentration of solid contaminants, and exceed Class 3 on maximum oil content (ppm/wt).

**"M" Series Coalescing Filters, with Type "C" 0.01 micron elements:** All Wilkerson Type "M" Oil Removal (Coalescing) Filters with Type "C" 0.01 micron elements **exceed ISO** Class 1 for maximum particle size and concentration of solid contaminants, and exceed Class 1 on maximum oil content (ppm/wt).

**"M" Series Adsorption Filters, with Type "D" 0.003 micron activated carbon elements:** All Wilkerson Type "M" adsorption filters with Type "D" 0.003 micron activated carbon elements **exceed ISO** Class 1 on maximum oil content (ppm/wt).

## Materials of Construction

Body	Zinc	
Bowls	Plastic Bowl	Polycarbonate
	Metal Bowl	Aluminum
Element Retainer	Brass Stud	
Filter Elements	Type "B", "C"	Borosilicate Cloth
	Type "D"	Activated Carbon
Seals	Fluorocarbon	



## Dimensions

Models	Inches (mm)	A	B	C	C <sub>1</sub>	D	E	E <sub>1</sub>	F
Standard Unit M30-XX-000		4.61 (117)	4.80 (122)	.94 (24)	1.77 (44.9)	9.13 (232)	10.07 (255.8)	10.90 (270)	2.40 (61)
Automatic Drain M30-XX-F00		4.61 (117)	4.80 (122)	.94 (24)	1.77 (44.9)	9.27 (235)	10.21 (259)	11.04 (273.5)	2.40 (61)
Metal Bowl M30-XX-M00		4.61 (117)	4.80 (122)	.94 (24)	1.77 (44.9)	8.73 (221.7)	9.67 (245.6)	10.50 (267)	2.40 (61)

= "Most Popular"

### Replacement Bowl Kits

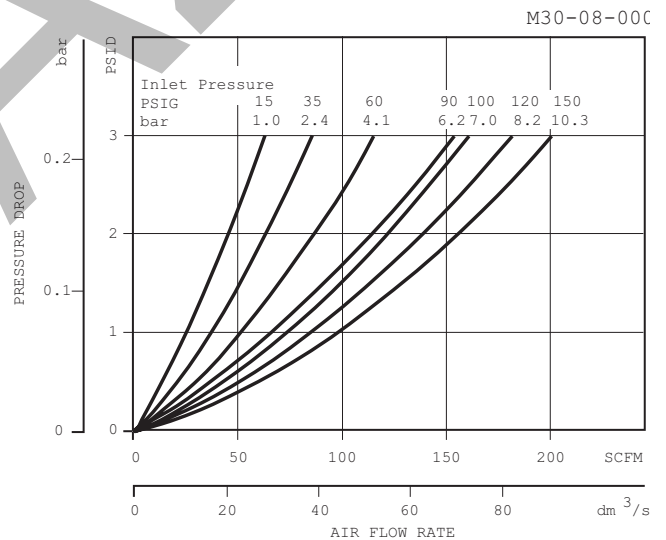
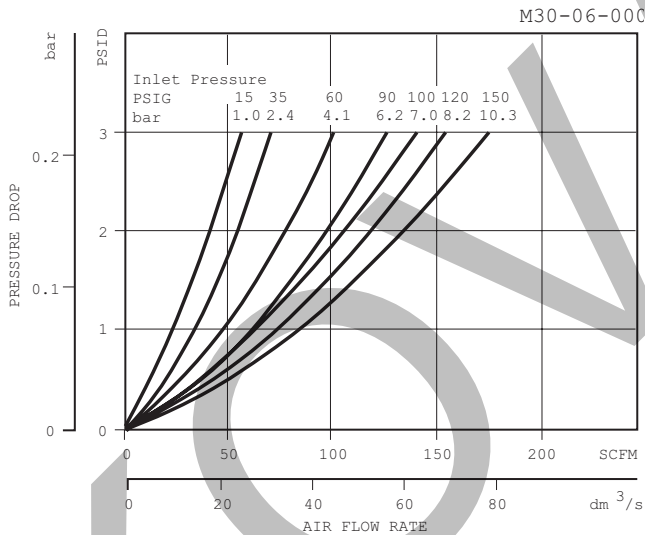
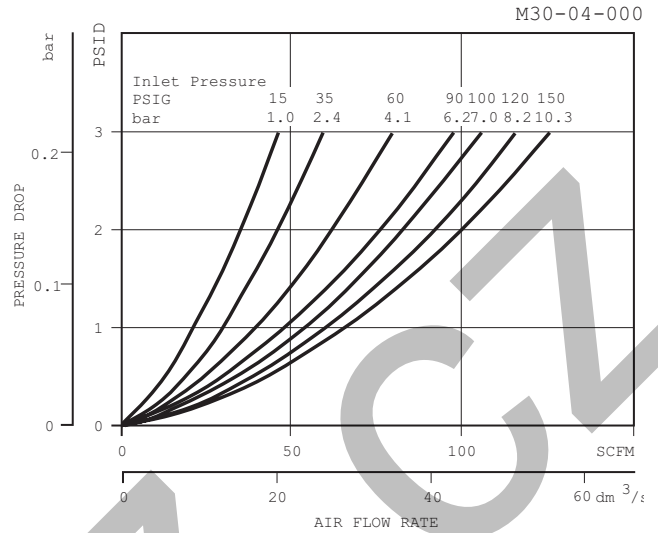
- Metal Bowl –  
 Manual Drain ..... FRP-95-593  
 Auto Drain..... GRP-95-970
- Plastic Bowl –  
 Manual Drain ..... FRP-96-315  
 Bowl Guard, Manual Drain ..... FRP-95-832  
 Bowl Guard, Auto Drain ..... FRP-95-775

### Replacement Element Kits

- Type "B", 0.5 Micron ..... MSP-95-992  
 Type "C", 0.01 Micron ..... MTP-95-551  
 Type "D", Oil Vapor Removing ..... MXP-95-532

### Accessories

- Automatic Mechanical Drain..... GRP-95-973  
 Cap, Differential Pressure Indicator –  
 For pressures over 150 PSIG..... GRP-95-020  
 Differential Pressure Indicator ..... DP2-02-000  
 Manual Flex-Tip ..... FRP-95-610  
 Sight Gauge Kit ..... LRP-95-771  
 Wall Mounting Bracket, U-Bolt Pipe Clamp..... GRP-95-734



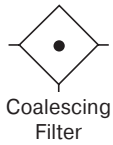
### Ordering Information

Model Type	Port Size	Polycarbonate Bowl / Bowl Guard / "C" Element	Metal Bowl / "C" Element	Polycarbonate Bowl / Bowl Guard / "B" Element	Polycarbonate Bowl / Bowl Guard / "D" Element (No DPI)
Manual Drain	1/2	M30-04-000	M30-04-M00	M30-04-S00	M30-04-X00
	3/4	M30-06-000	M30-06-M00	M30-06-S00	M30-06-X00
	1	M30-08-000	M30-08-M00	M30-08-S00	M30-08-X00
Automatic Drain	1/2	M30-04-F00	M30-04-FM0	M30-04-FS0	—
	3/4	M30-06-F00	M30-06-FM0	M30-06-FS0	—
	1	M30-08-F00	M30-08-FM0	M30-08-FS0	—

Options - To order an option supplied with the unit model, add the appropriate coded suffix letter in the designated position of the model number.

# Coalescing Filter M31

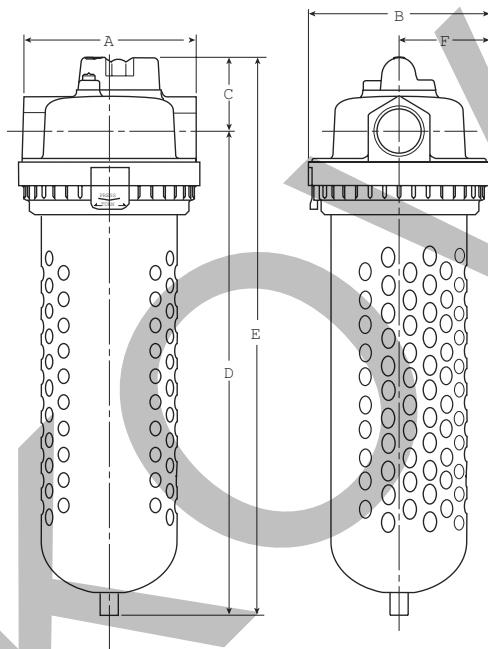
= "Most Popular"



M31-06-000

## Features

- Manual Drain
- 0.01 Micron Rated Filter Element
- Quick-disconnect Bowl Guard with Integral Plastic Bowl and Safety Latch
- Differential Pressure Indicator



## Dimensions

Models	Inches (mm)	A	B	C	D	E	F
Standard Unit M31-XX-000		4.61 (117)	4.80 (122)	1.90 (48)	13.00 (330)	14.90 (378)	2.40 (61)
Automatic Drain M31-XX-F00		4.61 (117)	4.80 (122)	1.90 (48)	13.14 (333.7)	15.04 (382)	2.40 (61)
Metal Bowl M31-XX-M00		4.61 (117)	4.80 (122)	1.90 (48)	13.10 (332.7)	15.00 (381)	2.40 (61)

## Specifications

Flow Capacity*	3/4 1	215 SCFM (101.4 dm <sup>3</sup> /s) 277 SCFM (130.8 dm <sup>3</sup> /s)
Maximum Supply Pressure	Plastic Bowl Metal Bowl	150 PSIG (10.3 bar) 200 PSIG (13.8 bar)
Operating Temperature	Plastic Bowl Metal Bowl	32° to 125°F (0° to 52°C) 32° to 150°F (0° to 65.5°C)
Port Size	NPT / BSPP-G	3/4, 1
Bowl Capacity		2.3 oz
Standard Filtration	Micron	(B) 0.5, (C) 0.01 (D) 0.003 ppm / wt**
Weight		6.76 lb. (3.1 kg)

\* Inlet pressure 150 PSIG (10.3 bar). Pressure drop of 3 PSID (0.2 bar).

\*\* Filtration temperature of 70°F (21°C) @100 PSIG (6.9 bar) with typical compressor lubricating oil and protected by Type "C" filter.

**"M" Series Coalescing Filters, with Type "B" 0.5 micron elements:** All Wilkerson Type "M" Oil Removal (Coalescing) Filters with Type "B" 0.5 micron elements **exceed ISO** Class 2 for maximum particle size and concentration of solid contaminants, and exceed Class 3 on maximum oil content (ppm/wt).

**"M" Series Coalescing Filters, with Type "C" 0.01 micron elements:** All Wilkerson Type "M" Oil Removal (Coalescing) Filters with Type "C" 0.01 micron elements **exceed ISO** Class 1 for maximum particle size and concentration of solid contaminants, and exceed Class 1 on maximum oil content (ppm/wt).

**"M" Series Adsorption Filters, with Type "D" 0.003 micron activated carbon elements:** All Wilkerson Type "M" adsorption filters with Type "D" 0.003 micron activated carbon elements **exceed ISO** Class 1 on maximum oil content (ppm/wt).

## Materials of Construction

Body		Zinc
Bowls	Plastic Bowl Metal Bowl	Polycarbonate Aluminum
Element Holder		Brass Stud
Filter Elements	Type "B", "C" Type "D"	Borosilicate Cloth Activated Carbon
Seals		Fluorocarbon

= "Most Popular"

### Replacement Bowl Kits

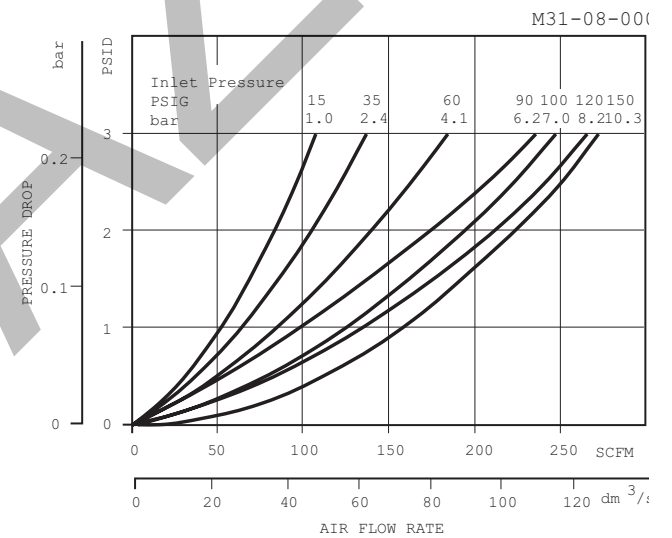
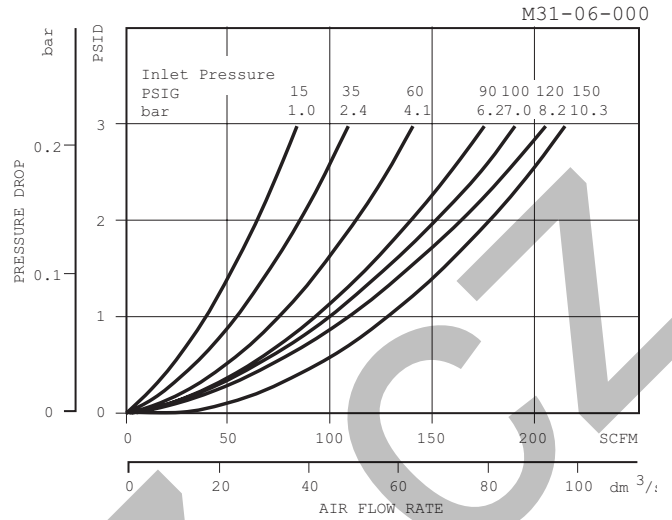
- Metal Bowl –
  - Manual Drain ..... MRP-95-939
- Plastic Bowl –
  - Bowl Guard, Manual Drain ..... MRP-95-938
  - Bowl Guard, Auto Drain ..... MRP-95-941
  - Manual Drain ..... MRP-95-940

### Replacement Element Kits

- Type "B", 0.5 Micron ..... MSP-95-993
- Type "C", 0.01 Micron ..... MTP-95-521
- Type "D", Oil Vapor Removing ..... MXP-95-522

### Accessories

- Automatic Mechanical Drain ..... GRP-95-973
- Cap, Differential Pressure Indicator –
  - For pressures over 150 PSIG ..... GRP-95-020
- Differential Pressure Indicator ..... DP2-02-000
- Manual Flex-Tip ..... FRP-95-610
- Wall Mounting Bracket, U-bolt Pipe Clamp ..... GRP-95-734



### Ordering Information

Model Type	Port Size	Polycarbonate Bowl / Bowl Guard / "C" Element	Metal Bowl / "C" Element	Polycarbonate Bowl / Bowl Guard / "B" Element	Polycarbonate Bowl / Bowl Guard / "D" Element (No DPI)
Manual Drain	3/4	M31-06-000	M31-06-M00	M31-06-S00	M31-06-X00
	1	M31-08-000	M31-08-M00	M31-08-S00	M31-08-X00
Automatic Drain	3/4	M31-06-F00	M31-06-FM0	M31-06-FS0	—
	1	M31-08-F00	M31-08-FM0	M31-08-FS0	—

Options - To order an option supplied with the unit model, add the appropriate coded suffix letter in the designated position of the model number.

# Coalescing Filter M32

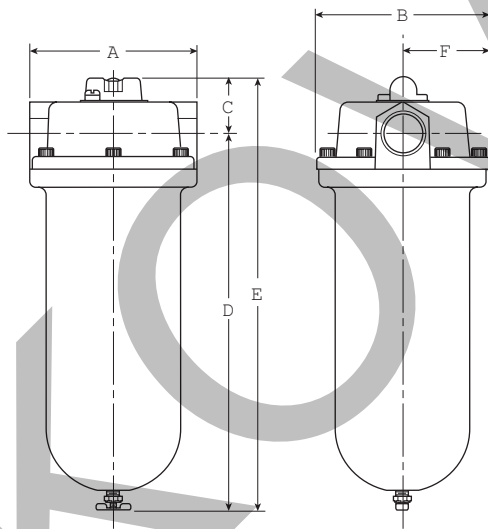
= "Most Popular"



**M32-08-000**

## Features

- Heavy-duty Cast Aluminum Housings to Withstand Operating Pressures Up to 300 PSIG †
- Differential Pressure Indicator to Eliminate the Guesswork of Element Replacement
- Manual Drain
- High-flow Filter Elements: Coalescing, 1 Micron and 0.01 Micron



## Dimensions

Models	Inches (mm)	A	B	C	D	E	F
Standard Unit M32-XX-000		6.25 (159)	6.49 (165)	1.95 (50)	13.90 (353)	16.00 (406)	3.25 (83)
Automatic Drain M32-XX-F00		6.25 (159)	6.49 (165)	1.95 (50)	14.04 (356.6)	16.14 (410)	3.25 (83)

## Specifications

Flow Capacity*	1	419 SCFM (197 dm <sup>3</sup> /s)
Maximum Supply Pressure	without DP2 with DP2	300 PSIG (20.7 bar)† 150 PSIG (10.3 bar)
Operating Temperature		32° to 150°F (° to 65.5°C)
Port Size	NPT / BSPP-G	1, 1-1/4
Bowl Capacity		80.7 oz
Standard Filtration Micron		(B1) 1.0, (C) 0.01 (D) 0.003 ppm / wt**
Weight		13 lb. (5.9 kg)

\* Inlet pressure 150 PSIG (10.3 bar). Pressure drop of 3 PSID (0.2 bar).

\*\* Filtration temperature of 70°F (21°C) @100 PSIG (6.9 bar) with typical compressor lubricating oil and protected by Type "C" filter.

† Without Differential Pressure Indicator – Max. supply pressure is 300 PSIG (20.7 bar).

**"M" Series Coalescing Filters, with Type "B1" 1.0 micron elements:** All Wilkerson Type "M" Oil Removal (Coalescing) Filters with Type "B1" 1.0 micron elements **exceed ISO** Class 2 for maximum particle size and concentration of solid contaminants, and exceed Class 3 on maximum oil content (ppm/wt).

**"M" Series Coalescing Filters, with Type "C" 0.01 micron elements:** All Wilkerson Type "M" Oil Removal (Coalescing) Filters with Type "C" 0.01 micron elements **exceed ISO** Class 1 for maximum particle size and concentration of solid contaminants, and exceed Class 1 on maximum oil content (ppm/wt).

**"M" Series Adsorption Filters, with Type "D" 0.003 micron activated carbon elements:** All Wilkerson Type "M" adsorption filters with Type "D" 0.003 micron activated carbon elements **exceed ISO** Class 1 on maximum oil content (ppm/wt).

## Materials of Construction

Body	Aluminum	
Bowls	Aluminum	
Element Retainer	Brass Nut / Steel Stud	
Filter Elements	Type "B1", "C" Type "D"	Borosilicate Cloth Activated Carbon
Seals	Fluorocarbon	

= "Most Popular"

**Replacement Bowl Kit**

Gasket, Bowl, Fluorocarbon (1 per Kit)..... GRP-95-288

**Replacement Element Kits**

Type "B1", 1.0 Micron .....MSP-95-873

Type "C", 0.01 Micron.....MTP-95-559

Type "D", Oil Vapor Removing .....MXP-95-558

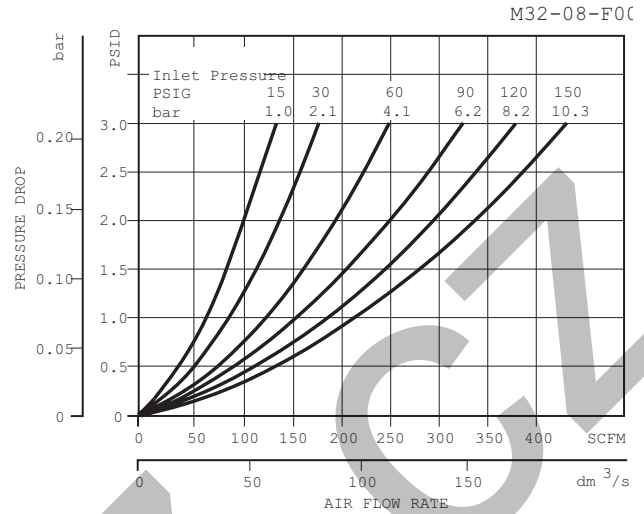
**Accessories**

Automatic Mechanical Drain..... GRP-95-981

Cap, Differential Pressure Indicator –  
For pressures over 150 PSIG, 10.3 bar..... GRP-95-020

Gauge, Differential Pressure..... DP3-01-000

Indicator, Differential Pressure ..... DP2-02-000



**Ordering Information**

Model Type	Port Size	Metal Bowl / "C" Element	Metal Bowl / "B1" Element	Metal Bowl / "D" Element (No DPI)
Manual Drain	1	M32-08-000	M32-08-S00	M32-08-X00
Automatic Drain	1	M32-08-F00	M32-08-FS0	—

Options - To order an option supplied with the unit model, add the appropriate coded suffix letter in the designated position of the model number



# Coalescing Filter M35

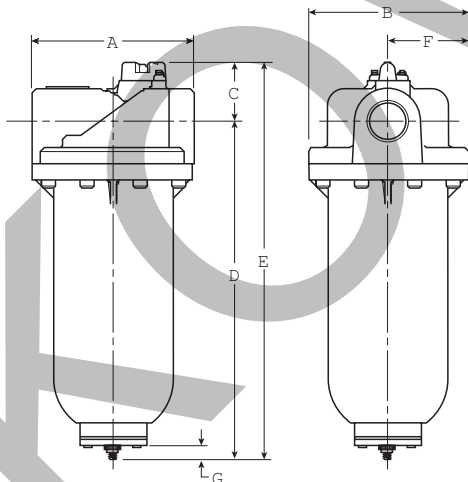
= "Most Popular"



**M35-0B-000**

## Features

- Heavy-duty Cast Aluminum Housings to Withstand Operating Pressures Up to 250 PSIG †
- Differential Pressure Indicator to Eliminate the Guesswork of Element Replacement
- Differential Pressure Gauge Available, Order Separately, Kit DP3-01-000
- Unique Drain Mounting Plate Design Offers Trouble-free Method for Interchanging and Installing External Drains
- High-flow Filter Elements: Coalescing, 1 Micron and 0.01 Micron



## Dimensions

Models	Inches (mm)	A	B	C	D	E	F	G
Standard Unit M35-XX-F00		7.80 (198)	7.75 (197)	2.81 (71)	16.24 (412)	19.07 (484)	3.88 (99)	.55 (14)
Without Automatic Drain M35-XX-000		7.80 (198)	7.75 (197)	2.81 (71)	15.69 (398.5)	18.52 (470)	3.88 (99)	.55 (14)

## Specifications

Flow Capacity*	1-1/2 2	710 SCFM (335 dm <sup>3</sup> /s) 710 SCFM (335 dm <sup>3</sup> /s)
Maximum Supply Pressure	without DPI and with Pressure Gauge with DPI	250 PSIG (17.2 bar)† 150 PSIG (10.3 bar)
Operating Temperature	32° to 150°F (0° to 65.5°C)	
Port Size	NPT / BSPP-G	1-1/2, 2
Bowl Capacity	13.9 oz	
Standard Filtration	Micron	(B1) 1.0, (C) 0.01 (D) 0.003 ppm / wt**
Weight	19.3 lb. (8.7 kg)	

\* Inlet pressure 150 PSIG (10.3 bar). Pressure drop of 3 PSID (0.2 bar).

\*\* Filtration temperature of 70°F (21°C) @100 PSIG (6.9 bar) with typical compressor lubricating oil and protected by Type "C" filter.

† Without Differential Pressure Indicator – Max. supply pressure is 250 PSIG (17.2 bar).

**"M" Series Coalescing Filters, with Type "B1" 1.0 micron elements:** All Wilkerson Type "M" Oil Removal (Coalescing) Filters with Type "B1" 1.0 micron elements **exceed ISO** Class 2 for maximum particle size and concentration of solid contaminants, and exceed Class 3 on maximum oil content (ppm/wt).

**"M" Series Coalescing Filters, with Type "C" 0.01 micron elements:** All Wilkerson Type "M" Oil Removal (Coalescing) Filters with Type "C" 0.01 micron elements **exceed ISO** Class 1 for maximum particle size and concentration of solid contaminants, and exceed Class 1 on maximum oil content (ppm/wt).

**"M" Series Adsorption Filters, with Type "D" 0.003 micron activated carbon elements:** All Wilkerson Type "M" adsorption filters with Type "D" 0.003 micron activated carbon elements **exceed ISO** Class 1 on maximum oil content (ppm/wt).

## Materials of Construction

Body	Aluminum	
Bowls	Aluminum	
Filter Elements	Type "B1", "C" Type "D"	Borosilicate Cloth Activated Carbon
Seals	Fluorocarbon	
Stud	Plated Steel	

**NOTE:** Automatic internal float drain shown is included on M35 filters with F00 suffix only. Models with 000 suffix include drain plate with tapped 1/2 NPT / BSPP-G drain port.

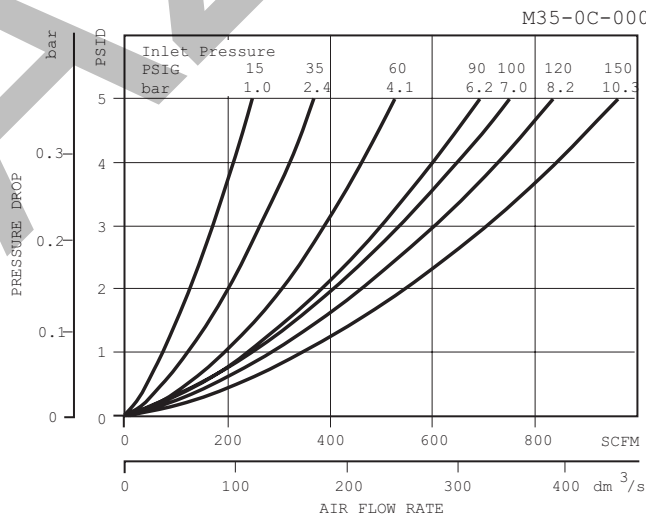
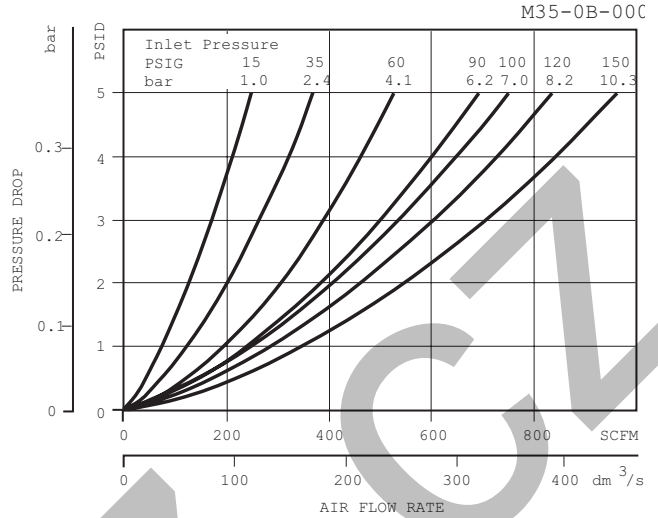
= "Most Popular"

### Replacement Element Kits

- Type "B1", 1.0 Micron.....MSP-95-502
- Type "C", 0.01 Micron .....MTP-95-502
- Type "D", Oil Vapor Removing.....MXP-95-502

### Accessories

- Cap, Differential Pressure Indicator –  
(For pressures over 150 PSIG)..... GRP-95-022
- Drain, Automatic, Internal, Fluorocarbon..... GRP-95-981
- Drain Plate Kit –  
1/2 NPT Tapped Drain Port ..... GRP-95-393
- Gauge, Differential Pressure..... DP3-01-000
- Indicator, Differential Pressure .....DP2-02-001
- Manual Drain Kit  
with 1/2" Drain Plate ..... GRP-95-392



### Ordering Information

Model Type	Port Size	Metal Bowl / "C" Element	Metal Bowl / "B1" Element	Metal Bowl / "D" Element
Manual Drain	1-1/2	M35-0B-000	M35-0B-S00	M35-0B-X00 (Includes 1/2 NPT / BSPP-G M35-0C-X00 Drain Plate)
	2	M35-0C-000	M35-0C-S00	
Automatic Drain	1-1/2	M35-0B-F00	M35-0B-FS0	—
	2	M35-0C-F00	M35-0C-FS0	—

Options - To order an option supplied with the unit model, add the appropriate coded suffix letter in the designated position of the model number.

# Coalescing Filter M43

= "Most Popular"



M43-0E-000

## Features

- Heavy-duty Cast Aluminum Housings to Withstand Operating Pressures Up to 250 PSIG †
- Differential Pressure Indicator to Eliminate the Guesswork of Element Replacement
- Differential Pressure Gauge Available, Order Separately, Kit DP3-01-000
- Unique Drain Mounting Plate Design Offers Trouble-free Method for Interchanging and Installing External Drains
- High-flow Filter Elements: Coalescing, 1 Micron and 0.01 Micron

## Specifications

Flow Capacity*	3	1770 SCFM (800 dm <sup>3</sup> /s)
Maximum Supply Pressure	without DPI and with Pressure Gauge	250 PSIG (17.2 bar)†
	with DPI	150 PSIG (10.3 bar)
Operating Temperature	32° to 150°F (0° to 65.5°C)	
Port Size	NPT / BSPP-G	3
Bowl Capacity	17.2 oz	
Standard Filtration	Micron	(B1) 1.0, (C) 0.01 (D) 0.003 ppm / wt**
Weight	32.8 lb. (14.9 kg)	

\* Inlet pressure 150 PSIG (10.3 bar). Pressure drop of 3 PSID (0.2 bar).

\*\* Filtration temperature of 70°F (21°C) @100 PSIG (6.9 bar) with typical compressor lubricating oil and protected by Type "C" filter.

† Without Differential Pressure Indicator – Max. supply pressure is 250 PSIG (17.2 bar).

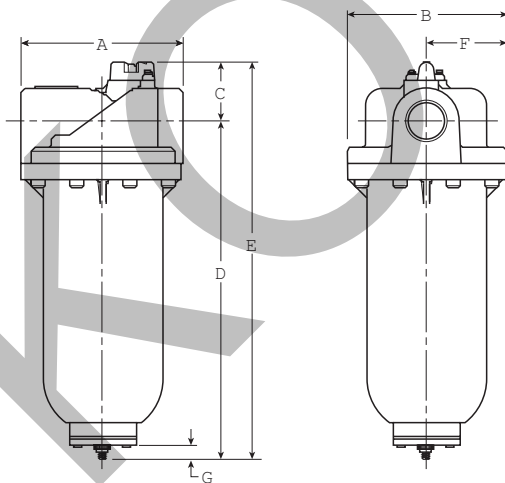
**"M" Series Coalescing Filters, with Type "B1" 1.0 micron elements:** All Wilkerson Type "M" Oil Removal (Coalescing) Filters with Type "B1" 1.0 micron elements **exceed ISO Class 2** for maximum particle size and concentration of solid contaminants, and exceed Class 3 on maximum oil content (ppm/wt).

**"M" Series Coalescing Filters, with Type "C" 0.01 micron elements:** All Wilkerson Type "M" Oil Removal (Coalescing) Filters with Type "C" 0.01 micron elements **exceed ISO Class 1** for maximum particle size and concentration of solid contaminants, and exceed Class 1 on maximum oil content (ppm/wt).

**"M" Series Adsorption Filters, with Type "D" 0.003 micron activated carbon elements:** All Wilkerson Type "M" adsorption filters with Type "D" 0.003 micron activated carbon elements **exceed ISO Class 1** on maximum oil content (ppm/wt).

## Materials of Construction

Body	Aluminum	
Bowls	Aluminum	
Filter Elements	Type "B1", "C" Type "D"	Borosilicate Cloth Activated Carbon
Seals	Fluorocarbon	
Stud	Plated Steel	



**NOTE:** Standard filter includes tapped 1/2 NPT / BSPP-G drain plate. To order internal float drain shown, order drain adapter plate GRP-95-391 and automatic drain GRP-95-981.

## Dimensions

Models	Inches (mm)	A	B	C	D	E	F	G
Standard Unit M43-0E-000		8.94 (227)	9.00 (229)	3.45 (88)	25.96 (660)	29.44 (748)	4.50 (114)	.55 (14)

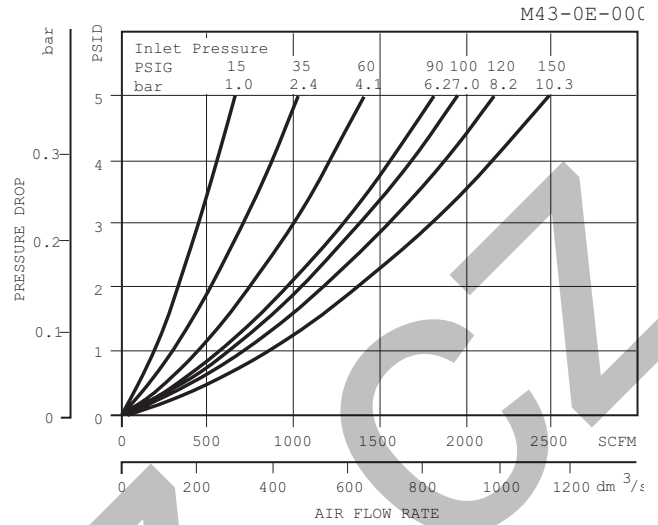
= "Most Popular"

**Replacement Element Kits**

- Type "B1", 1.0 Micron.....MSP-95-876
- Type "C", 0.01 Micron .....MTP-95-562
- Type "D", Oil Vapor Removing.....MXP-95-565

**Accessories**

- Cap, Differential Pressure Indicator –  
For pressures over 150 PSIG..... GRP-95-022
- Drain, Automatic, Internal, Fluorocarbon,  
1/8 NPT ..... GRP-95-981
- Drain Plate Kit –  
1/2 NPT tapped drain port ..... GRP-95-393  
5/16 Dia. Drain Port,  
For use with Internal Auto Drain..... GRP-95-391
- Gauge, Differential Pressure..... DP3-01-000
- Indicator, Differential Pressure .....DP2-02-001
- Manual Drain Kit  
Includes 1/2" Drain Plate, Manual Drain..... GRP-95-392
- Manual Override for Auto Float Drain –  
GRP-05-981 Required ..... GRP-96-001



**Ordering Information**

Model Type	Port Size	Metal Bowl / "C" Element	Metal Bowl / "B1" Element	Metal Bowl / "D" Element
M43	3	M43-0E-000	M43-0E-S00	M43-0E-X00 (Includes 1/2 NPT / BSPP-G Drain Plate)

Options - To order an option supplied with the unit model, add the appropriate coded suffix letter in the designated position of the model number.

# Coalescing Filter M45

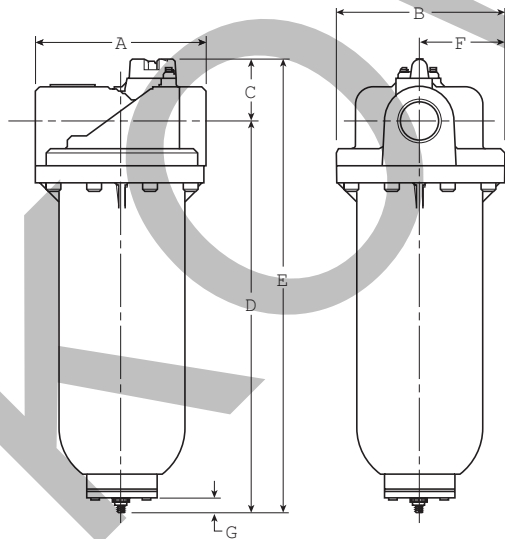
= "Most Popular"



**M45-0E-000**

## Features

- Heavy-duty Cast Aluminum Housings to Withstand Operating Pressures Up to 300 PSIG †
- Differential Pressure Indicator to Eliminate the Guesswork of Element Replacement
- Unique Drain Mounting Plate Design Offers Trouble-free Method for Interchanging and Installing External Drains
- High-flow Filter Elements: Coalescing, 1 Micron and 0.01 Micron



## Dimensions

Models	Inches (mm)	A	B	C	D	E	F	G
Standard Unit M45-XX-000		8.94 (227)	8.88 (225.5)	3.48 (88)	32.52 (826)	36.00 (914)	4.44 (112.8)	.55 (14)

## Specifications

Flow Capacity*	3	2200 SCFM (1000 dm <sup>3</sup> /s)
Maximum Supply Pressure	without DP2 with DP2	300 PSIG (20.7 bar)† 150 PSIG (10.3 bar)
Operating Temperature	32° to 150°F (0° to 65.5°C)	
Port Size	NPT / BSPP-G	3
Bowl Capacity	15 oz	
Standard Filtration	Micron	(B1) 1.0, (C) 0.01 (D) 0.003 ppm / wt**
Weight	39.0 lb. (17.7 kg)	

\* Inlet pressure 150 PSIG (10.3 bar). Pressure drop of 3 PSID (0.2 bar).

\*\* Filtration temperature of 70°F (21°C) @100 PSIG (6.9 bar) with typical compressor lubricating oil and protected by Type "C" filter.

† Without Differential Pressure Indicator – Max. supply pressure is 300 PSIG (20.7 bar).

**"M" Series Coalescing Filters, with Type "B1" 1.0 micron elements:** All Wilkerson Type "M" Oil Removal (Coalescing) Filters with Type "B1" 1.0 micron elements **exceed ISO** Class 2 for maximum particle size and concentration of solid contaminants, and exceed Class 3 on maximum oil content (ppm/wt).

**"M" Series Coalescing Filters, with Type "C" 0.01 micron elements:** All Wilkerson Type "M" Oil Removal (Coalescing) Filters with Type "C" 0.01 micron elements **exceed ISO** Class 1 for maximum particle size and concentration of solid contaminants, and exceed Class 1 on maximum oil content (ppm/wt).

**"M" Series Adsorption Filters, with Type "D" 0.003 micron activated carbon elements:** All Wilkerson Type "M" adsorption filters with Type "D" 0.003 micron activated carbon elements **exceed ISO** Class 1 on maximum oil content (ppm/wt).

## Materials of Construction

Body	Aluminum	
Bowls	Aluminum	
Filter Elements	Type "B1", "C" Type "D"	Borosilicate Cloth Activated Carbon
Seals	Fluorocarbon	
Stud	Plated Steel	

**NOTE:** Standard filter includes tapped 1/2 NPT / BSPP-G drain plate. To order internal float drain shown, order drain adapter plate GRP-95-391 and automatic drain GRP-95-981.

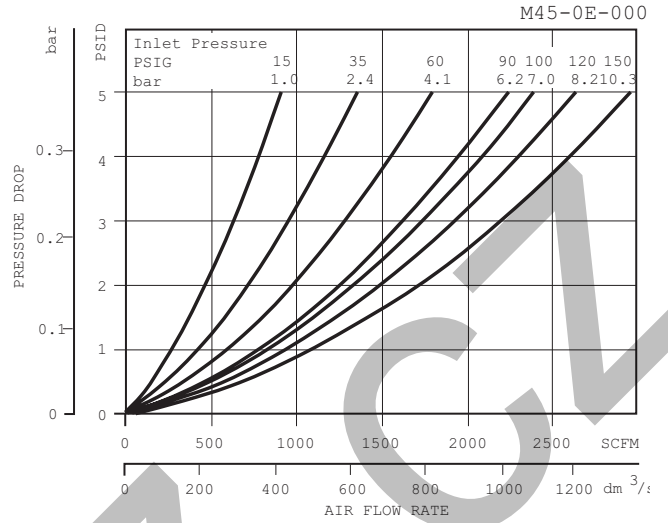
= "Most Popular"

**Replacement Element Kits**

- Type "B1", 1.0 Micron.....MSP-95-500
- Type "C", 0.01 Micron .....MTP-95-500
- Type "D", Oil Vapor Removing.....MXP-95-500

**Accessories**

- Cap, Differential Pressure Indicator –  
For pressures over 150 PSIG..... GRP-95-022
- Drain, Automatic, Internal, Fluorocarbon,  
1/8 NPT ..... GRP-95-981
- Drain Plate Kit –  
1/2 NPT tapped drain port ..... GRP-95-393  
5/16 Dia. Drain Port,  
For use with Internal Auto Drain..... GRP-95-391
- Gauge, Differential Pressure..... DP3-01-000
- Indicator, Differential Pressure .....DP2-02-001
- Manual Drain Kit  
Includes 1/2" Drain Plate, Manual Drain..... GRP-95-392
- Manual Override for Auto Float Drain –  
GRP-05-981 Required .....GRP-96-000



**Ordering Information**

Model Type	Port Size	Metal Bowl / "C" Element	Metal Bowl / "B1" Element	Metal Bowl / "D" Element
M45	3	M45-0E-000	M45-0E-S00	M45-0E-X00 (Includes 1/2 NPT / BSPP-G Drain Plate)

Options - To order an option supplied with the unit model, add the appropriate coded suffix letter in the designated position of the model number.