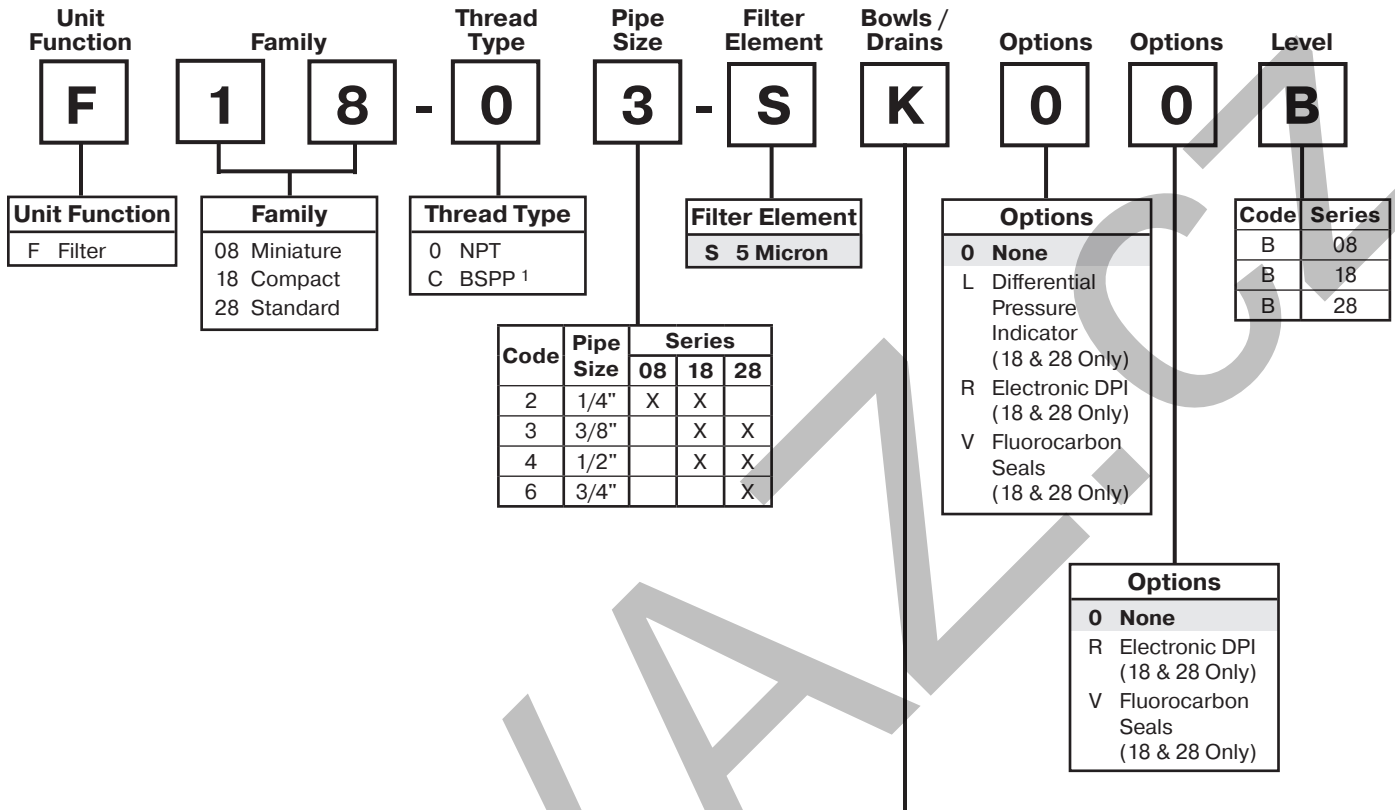


Particulate Filter Numbering System

 = "Most Popular"



Drains	Bowls		
	Plastic w/ Guard	Metal w/ No Sight Gauge	Metal w/ Sight Gauge ²
1/8 NPT Female 2 (18 & 28 Only)	E	U	F
Automatic Drain ³ (18, 28 Only)	G	A	H
Manual Drain	K	—	L
Piston Drain (08 Series Only)	R	—	S

1 ISO, R228 (G Series)

2 F08 Filter has an all Metal Bowl (no sight gauge)

3 Operating range 15 to 250 PSIG (1 to 17 bar)

"F" Series Filters, Type "A" 5 micron elements: All Wilkerson Type "A" 5 micron elements **meet or exceed ISO Class 3** for maximum particle size and concentration of solid contaminants.

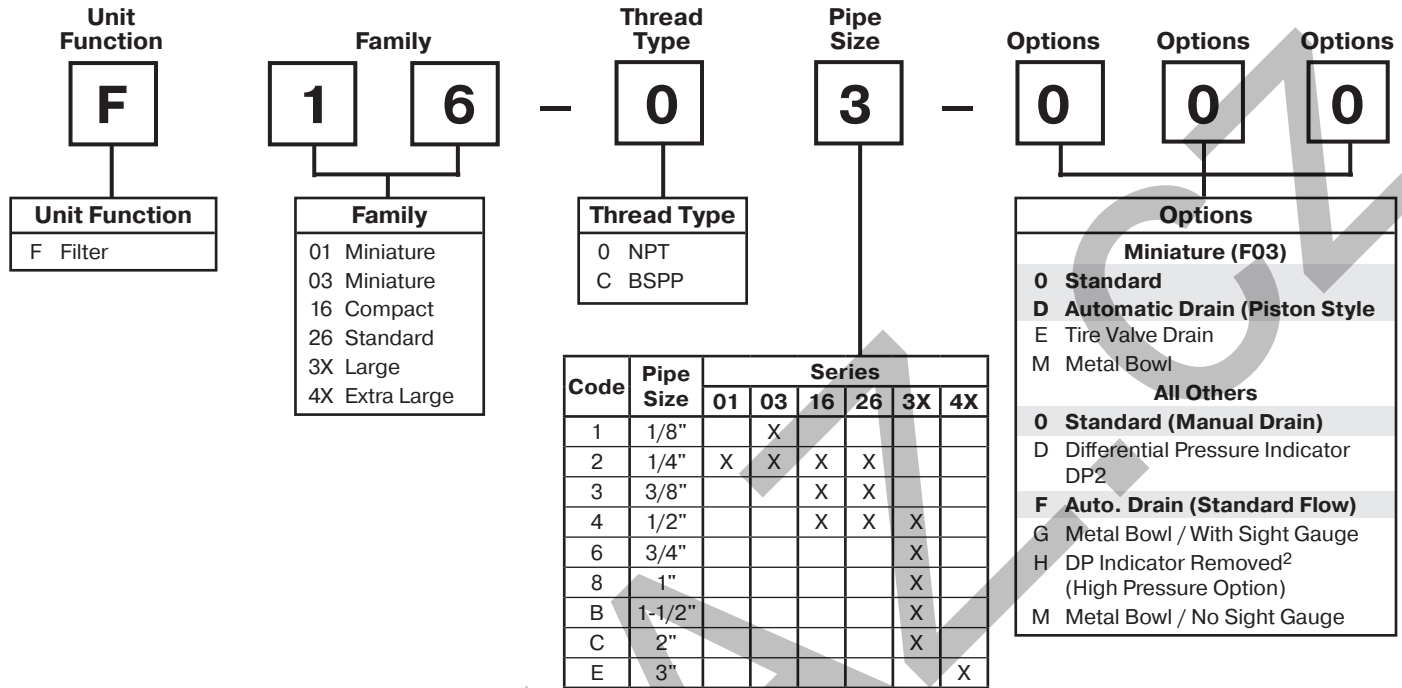
NOTE:All classes above refer to International Standards Organization (ISO) standard 8573-1, pertaining to maximum particle size and concentration of solid contaminants, and maximum oil content.

Note: When selecting from the options columns, please enter letters in alphabetical order for positions 7, 8, and 9. For example:

F 1 8 - 0 3 - S K 0 0 B

Particulate Filter Numbering System

 = "Most Popular"



¹ Ports on some units are BSPP-G, others are BSPT-Rc. Consult specific model page for specifications.

² Models F35 & F43.

"F" Series Filters, Type "A" 5 micron elements: All Wilkerson Type "A" micron elements **meet or exceed ISO Class 3** for maximum particle size and concentration of solid contaminants.

NOTE: All classes above refer to International Standards Organization (ISO) standard 8573-1, pertaining to maximum particle size and concentration of solid contaminants, and maximum oil content.

If more than one option is desired, arrange them in alphabetical order in positions 6, 7, and 8.

NOTE: 000 in position 6, 7, and 8 signifies standard product.

Particulate Filter F01

= "Most Popular"

Specifications

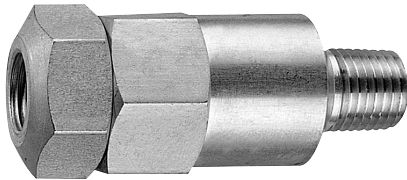
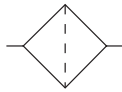
Flow Capacity*	17.0 SCFM (8 dm ³ /s)	
Maximum Supply Pressure	200 PSIG (13.8 bar)	
Operating Temperature	32° to 150°F (0° to 65.5°C)	
Port Size	NPT / BSPT-Rc	1/4
Standard Filtration	5 Micron	
Weight	.13 lb. (.06 kg)	

* Inlet pressure 150 PSIG (10.3 bar). Pressure drop 5 PSID (0.3 bar).

"F" Series Filters, Type "A" 5 micron elements: All Wilkerson Type "A" 5 micron elements **meet or exceed ISO** Class 3 for maximum particle size and concentration of solid contaminants.

Materials of Construction

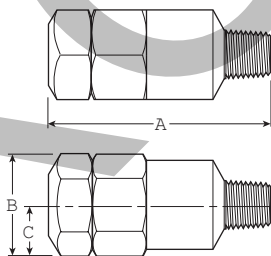
Baffle	Aluminum
Body	Aluminum
Filter Element	Sintered Polyethylene
Seals	Nitrile



F01-02-000

In-Line Filter

This small, aluminum in-line filter is designed to provide protection for portable pneumatic hand tools. It weighs only 2 ounces with a throw-away filter element rated at 5 microns. Either port may be used as the inlet port. Flow is 17 SCFM (8 dm³/s) at 90 PSIG (6.2 bar) inlet pressure with 5 PSIG (0.3 bar) pressure drop.



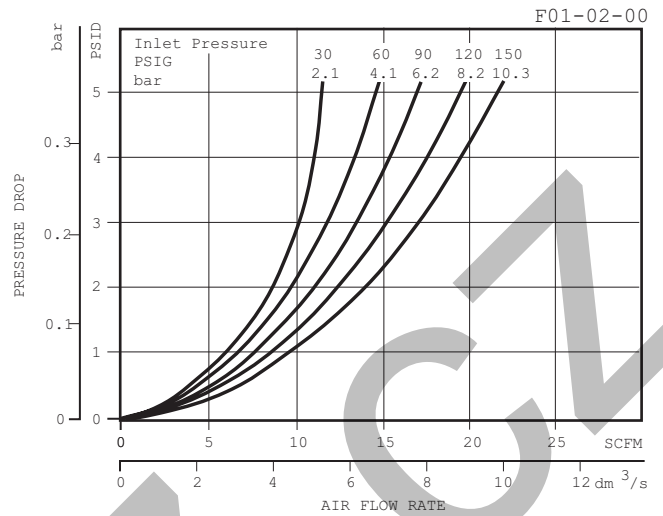
Dimensions

Models	Inches (mm)	A	B	C
Standard Unit F01-02-000		2.50 (63.5)	1.00 (25)	.51 (13)

= "Most Popular"

Replacement Element Kits

Type "A", 5 Micron..... FRP-95-199



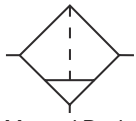
Ordering Information

Model Type	Port Size	Standard Unit
In-Line Filter	1/4	F01-02-000

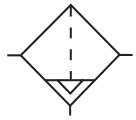
Options - To order an option supplied with the unit model, add the appropriate coded suffix letter in the designated position of the model number.

Particulate Filter F03

= "Most Popular"



Manual Drain



Auto Drain



F03-02-000

Features

- Excellent Water Removal Efficiency
- Unique Deflector Plate that Creates Swirling of the Air Stream Ensuring Maximum Water and Dirt Separation
- Easily Disassembled for Servicing Without the Use of Tools

Specifications

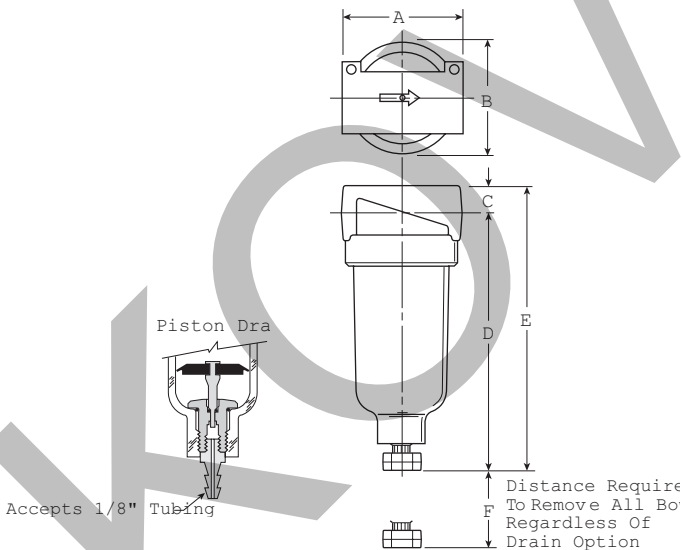
Flow Capacity*	1/8	22.0 SCFM (10 dm ³ /s)
	1/4	24.0 SCFM (11 dm ³ /s)
Maximum Supply Pressure		
Polycarbonate Bowl		0 to 150 PSIG (0 to 10.3 bar)
Metal Bowl		0 to 250 PSIG (0 to 17.2 bar)
Piston Drain		10 to 250 PSIG (0.7 to 17.2 bar)
Operating Temperature		
Polycarbonate Bowl		32°F to 125°F (0°C to 52°C)
Metal Bowl		32°F to 175°F (0°C to 80°C)
Piston Drain		32°F to 125°F (0°C to 52°C)
Port Size	NPT	1/8, 1/4
Standard Filtration		5 Micron
Weight		.41 lb. (.18 kg)

* Inlet pressure 90 PSIG (6.2 bar). Pressure drop 5 PSID (0.3 bar).

"F" Series Filters, Type "A" 5 micron elements: All Wilkerson Type "A" 5 micron elements **meet or exceed ISO** Class 3 for maximum particle size and concentration of solid contaminants.

Materials of Construction

Body		Zinc
Bowls	Transparent	Polycarbonate
	Metal (Without Sight Gauge)	Zinc
Deflector, Element Holder & Baffle		Plastic
Manual Drain	Body & Stem	Plastic
	Seals	Nitrile
Piston Drain	Piston & Seals	Nitrile
	Stem, Seat, Adaptor & Washers	Aluminum
Filter Elements	5 Micron	Plastic
Seals		Nitrile



Dimensions

Models	Inches (mm)	A	B	C	D	E	F
Standard Unit F03-XX-000		1.69 (43)	1.53 (39)	.39 (10)	3.82 (97)	4.21 (107)	1.60 (41)
Piston Drain F03-XX-D00		1.69 (43)	1.53 (39)	.39 (10)	3.87 (99)	4.26 (108)	1.60 (41)

= "Most Popular"

Replacement Bowl Kits

- Metal Bowl –
 Manual DrainPS447B
 Piston DrainPS451B

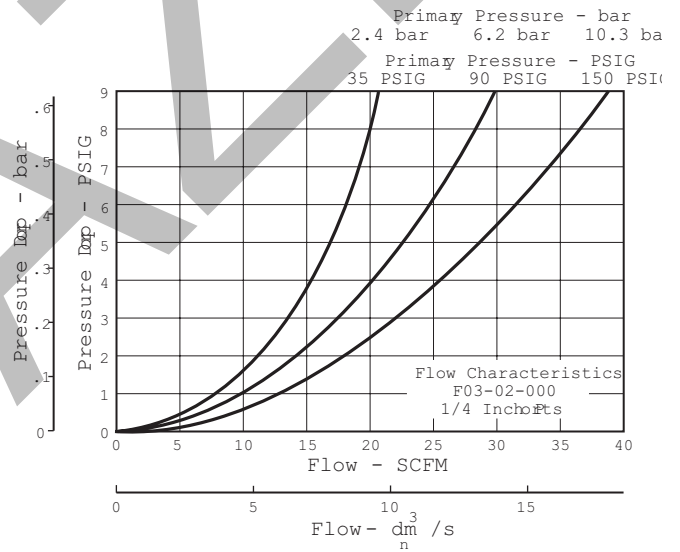
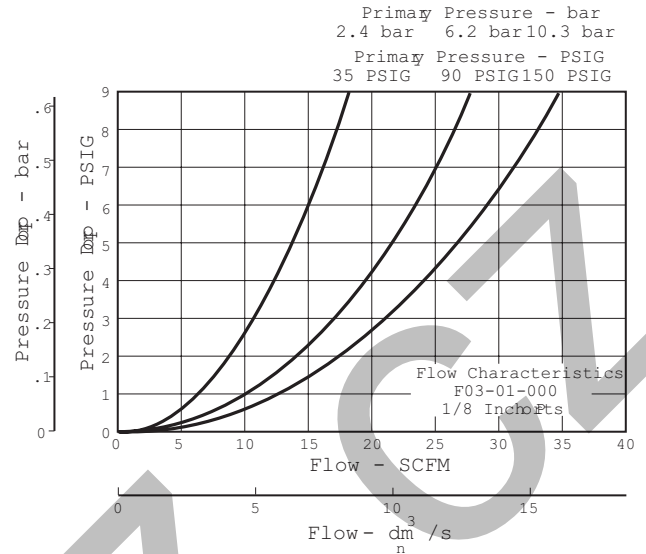
- Plastic Bowl –
 Manual DrainPS404
 Piston DrainPS408B

Replacement Element Kits

- 5 MicronPS403

Accessories

- Filter Element Kit (Bulk Pack, Qty. 12) FRP-96-303
 Mounting Bracket Kit PS417B

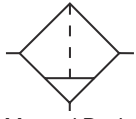


Ordering Information

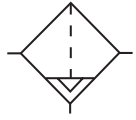
Model Type	Port Size	Polycarbonate Bowl	Metal Bowl
Manual Drain	1/8	F03-01-000	F03-01-M00
	1/4	F03-02-000	F03-02-M00
Piston Drain	1/8	F03-01-D00	F03-01-DM0
	1/4	F03-02-D00	F03-02-DM0

Options - To order an option supplied with the unit model, add the appropriate coded suffix letter in the designated position of the model number.

Particulate Filter F08



Manual Drain



Auto Drain



Features

- Standard 5 Micron Filtration
- Quick-disconnect Bowl
- Bowl Guard
- High Flow Capacity

Specifications

Flow Capacity*	1/4	42 SCFM (20 dm ³ /s, ANR)
Maximum Supply Pressure	Plastic Bowl	150 PSIG (10.3 bar)
	Metal Bowl	250 PSIG (17.2 bar)
Operating Temperature	Plastic Bowl	14° to 125°F (-10° to 52°C)
	Metal Bowl	14° to 150°F (-10° to 65.5°C)
Port Size	NPT / BSPP-G	1/4
Bowl Capacity	0.6 oz	
Standard Filtration	5 Micron	
Weight	0.24 lb. (0.11 kg)	

* Inlet pressure 91.3 psig (6.3 bar). Pressure drop 4.9 psig (0.34 bar).

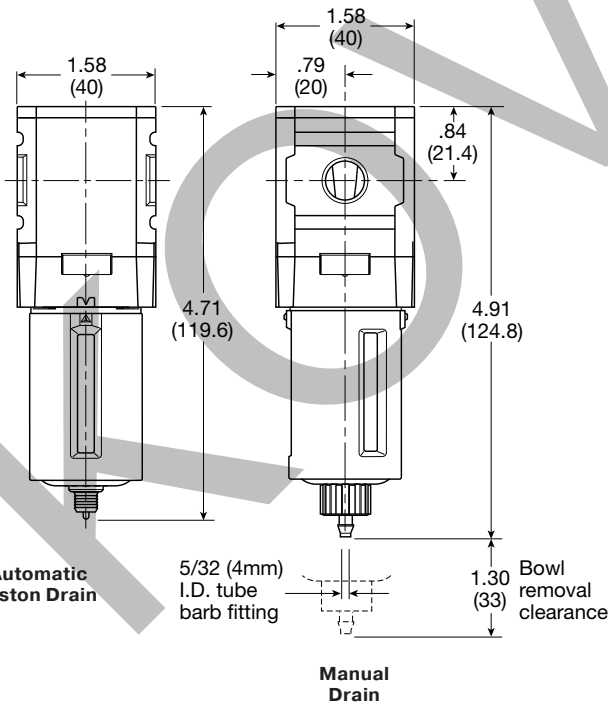
“F” Series Filters, Type “A” 5 micron elements: All Wilkerson Type “A” 5 micron elements **meet or exceed ISO** Class 3 for maximum particle size and concentration of solid contaminants.

Materials of Construction

Baffle	Acetal	
Body	Aluminum	
Body Cap	ABS	
Bowl	Plastic Bowl	Polycarbonate
	Metal Bowl	Aluminum
Bowl Guard	Nylon	
Element Retainer	Acetal	
Filter Element	Sintered Polyethylene	
Seals	Plastic Bowl	Nitrile
	Metal Bowl	Nitrile

Air quality:

Within ISO 8573-1: 1991 Class 3 (Particulates)
Within ISO 8573-1: 2001 Class 6 (Particulates)



Inches (mm)

= "Most Popular"

Replacement Bowl Kits

- Metal Bowl, Manual Drain GRP-96-714
- Plastic Bowl / Bowl Guard, Manual Drain..... GRP-96-712

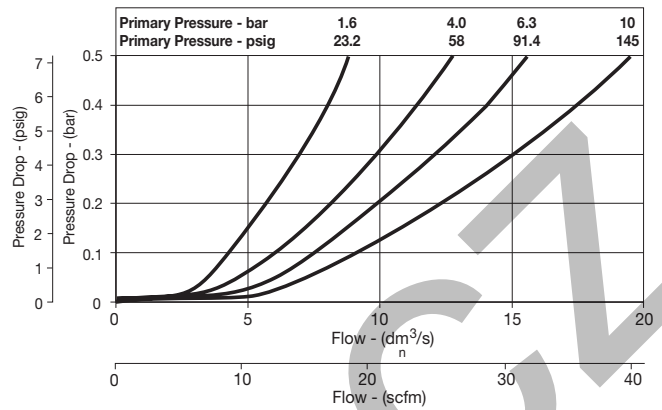
Replacement Element Kit and Bowl Seal

- Type "A", 5 Micron.....FRP-96-729

Accessories

- Automatic Piston Drain..... GRP-96-716
- Wall Mounting Bracket –
 - C-Type.....GPA-97-010
 - T-Type GPA-96-737

F08 1/4" Filter

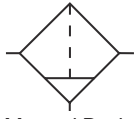


Ordering Information

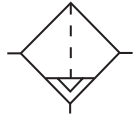
Model Type	Port Size	Plastic Bowl / Bowl Guard	Metal Bowl (No Sight Gauge)
Manual Drain	1/4	F08-02-SK00B	F08-02-SL00B
Automatic Piston Drain	1/4	F08-02-SR00B	F08-02-SS00B

Options - To order an option supplied with the unit model, Add the appropriate coded suffix letter in the designated position of the model number.

Particulate Filter F18



Manual Drain



Auto Drain



Features

- Standard 5 Micron Filtration
- High Flow Capacities
- 1/2" NPT / BSPP-G Over-port
- Quick-disconnect Bowl
- Bowl Guard
- Light Weight
- Barbed Manual Drain Connection with Pipe-away

Specifications

Flow Capacity*	1/4	50 SCFM (24 dm ³ /s, ANR)
	3/8	78 SCFM (37 dm ³ /s, ANR)
	1/2	82 SCFM (39 dm ³ /s, ANR)
Maximum Supply Pressure	Plastic Bowl	150 PSIG (10.3 bar)
	Metal Bowl	250 PSIG (17.2 bar)
Operating Temperature	Plastic Bowl	-13° to 125°F (-25° to 52°C)
	Metal Bowl	-13° to 150°F (-25° to 65.5°C)
Port Size	NPT / BSPP-G	1/4, 3/8, 1/2
Bowl Capacity	1.72 oz	
Standard Filtration	5 Micron	
Weight	0.62 lb. (0.28 kg)	

* Inlet pressure 91.3 psig (6.3 bar). Pressure drop 4.9 psig (0.34 bar).

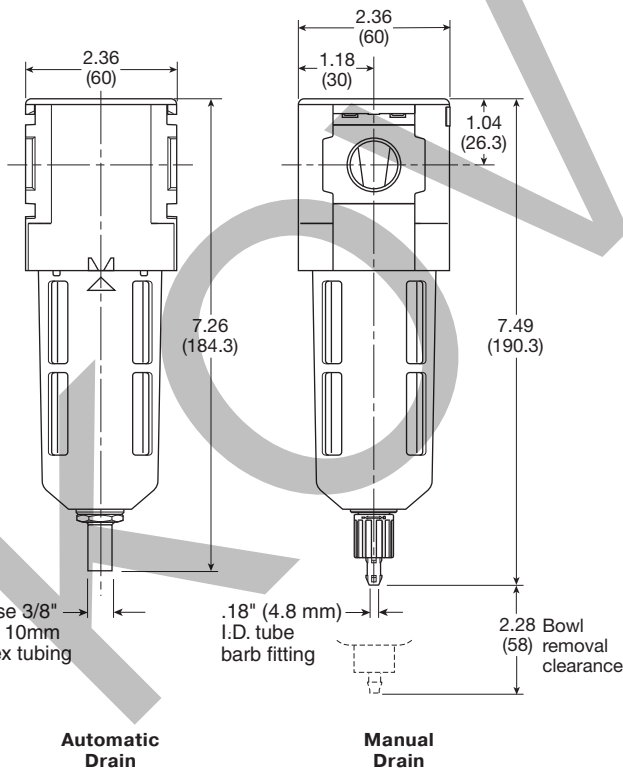
"F" Series Filters, Type "A" 5 micron elements: All Wilkerson Type "A" 5 micron elements **meet or exceed ISO** Class 3 for maximum particle size and concentration of solid contaminants.

Materials of Construction

Body	Aluminum	
Body Cap	ABS	
Bowls	Plastic Bowl	Polycarbonate
	Metal Bowl	Aluminum
Bowl Guard	Nylon	
Deflector	Polypropylene	
Element Retainer / Baffle	Acetal	
Filter Element	Sintered Polyethylene	
Seals	Plastic Bowl	Nitrile
	Metal Bowl	Nitrile
Sight Gauge	Metal Bowl	Polyamide (Nylon)

Air quality:

Within ISO 8573-1: 1991 Class 3 (Particulates)
Within ISO 8573-1: 2001 Class 6 (Particulates)



Inches (mm)

= "Most Popular"

Replacement Bowl Kits

- Metal Bowl with Sight Gauge,
Automatic Float Drain GRP-96-637
- Metal Bowl with Sight Gauge, Manual Drain GRP-96-636
- Plastic Bowl –
Bowl Guard, Auto Drain GRP-96-635
- Bowl Guard, Manual Drain GRP-96-634

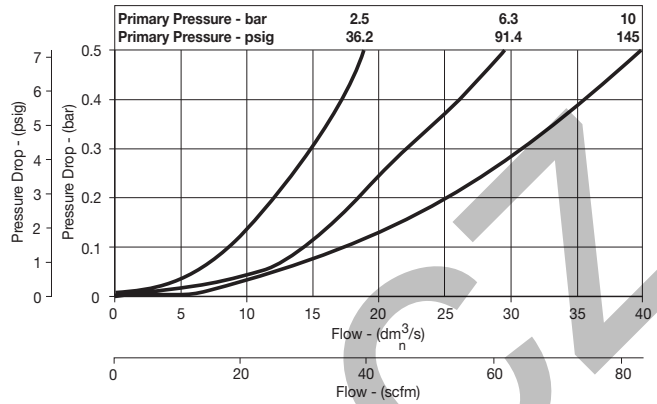
Replacement Element Kits and Bowl Seal

- Type "A", 5 Micron Element..... FRP-96-639
- Type "A", 5 Micron with Retainer, Deflector,
and Bowl O-ringFRP-96-641

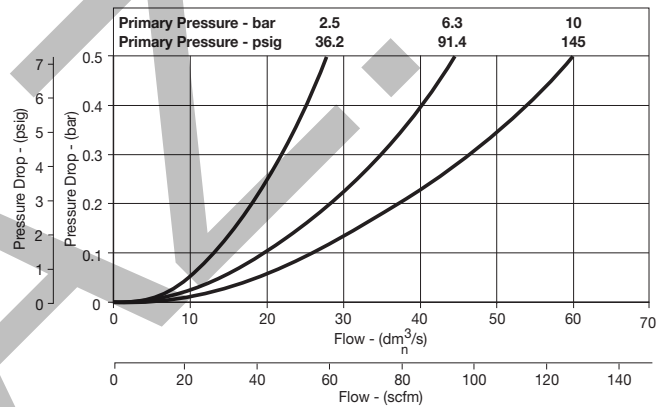
Accessories

- Automatic Drain –
Fluorocarbon GRP-95-981
- Nitrile GRP-95-973
- Manual Drain..... GRP-96-685
- Sight Gauge Kit GRP-96-825
- Wall Mounting Bracket –
L-Type..... GPA-96-604
- T-Type GPA-96-602

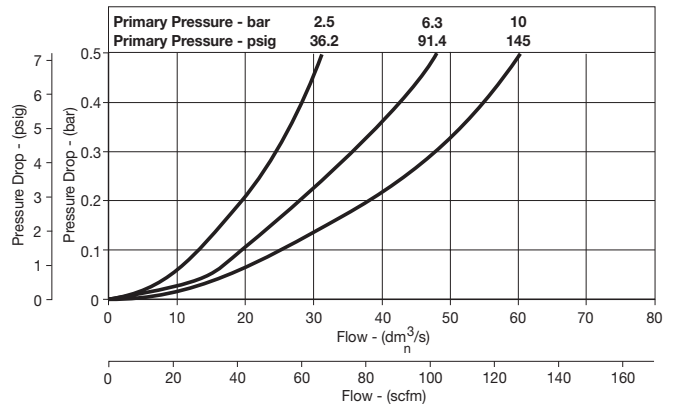
F18 1/4" Filter



F18 3/8" Filter



F18 1/2" Filter



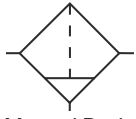
Ordering Information

Model Type	Port Size	Plastic Bowl / Bowl Guard	Metal Bowl / Sight Gauge
Manual Drain	1/4	F18-02-SK00B	F18-02-SL00B
	3/8	F18-03-SK00B	F18-03-SL00B
	1/2	F18-04-SK00B	F18-04-SL00B
Automatic Drain	1/4	F18-02-SG00B	F18-02-SH00B
	3/8	F18-03-SG00B	F18-03-SH00B
	1/2	F18-04-SG00B	F18-04-SH00B

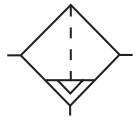
Options - To order an option supplied with the unit model, add the appropriate coded suffix letter in the designated position of the model number.

Particulate Filter F16

= "Most Popular"



Manual Drain



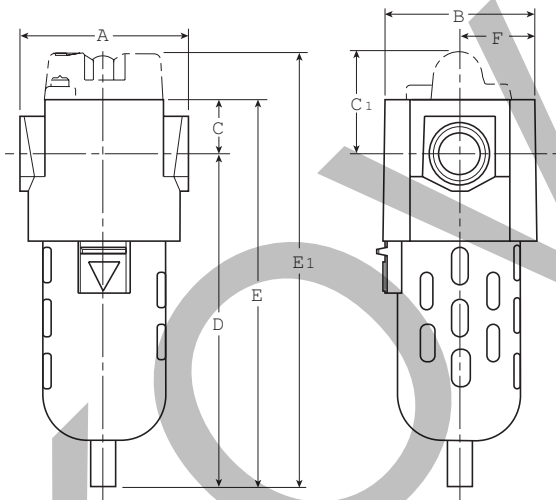
Auto Drain



F16-02-000

Features

- Manual Drain
- 5 Micron Rated Element
- Quick-disconnect Bowl Guard with Integral Plastic Bowl and Safety Latch



Dimensions

Models	Inches (mm)	A	B	C	C ₁	D	E	E ₁	F
Standard Unit F16-XX-000		3.00 (76)	2.60 (66)	1.00 (25.4)	—	5.50 (139.7)	6.50 (165)	—	1.30 (33)
Differential Pressure Indicator F16-XX-D00		3.00 (76)	2.60 (66)	1.00 (25.4)	1.83 (46.5)	5.50 (139.7)	6.50 (165)	7.33 (186)	1.30 (33)
Automatic Drain F16-XX-F00		3.00 (76)	2.60 (66)	1.00 (25.4)	—	5.50 (139.7)	6.64 (168.7)	—	1.30 (33)
Metal Bowl / Metal Bowl with Sight Gauge F16-XX-G00		3.00 (76)	2.60 (66)	1.00 (25.4)	—	5.50 (139.7)	7.09 (180)	—	1.30 (33)

Specifications

Flow Capacity*	1/4	63.0 SCFM (29.7 dm ³ /s)
	3/8	74.1 SCFM (34.9 dm ³ /s)
	1/2	80.4 SCFM (37.9 dm ³ /s)
Maximum Supply Pressure	Plastic Bowl	150 PSIG (10.3 bar)
	Metal Bowl	200 PSIG (13.8 bar)
Operating Temperature	Plastic Bowl	32° to 125°F (0° to 52°C)
	Metal Bowl	32° to 150°F (0° to 65.5°C)
Port Size	NPT / BSPP-G	1/4, 3/8, 1/2
Bowl Capacity	2.7 oz	
Standard Filtration	5 Micron	
Weight	1.8 lb. (0.8 kg)	

* Inlet pressure 150 PSIG (10.3 bar). Pressure drop 5 PSID (0.3 bar).

"F" Series Filters, Type "A" 5 micron elements: All Wilkerson Type "A" 5 micron elements **meet or exceed ISO Class 3** for maximum particle size and concentration of solid contaminants.

Materials of Construction

Baffle	Polypropylene	
Body	Zinc	
Bowls	Plastic Bowl	Polycarbonate
	Metal Bowl	Zinc
Deflector	Polypropylene	
Element Retainer	Acetal	
Filter Element	Polyethylene	
Seals	Plastic Bowl	Nitrile
	Metal Bowl	Fluorocarbon
Sight Gauge	Metal Bowl	Polycarbonate

= "Most Popular"

Replacement Bowl Kits

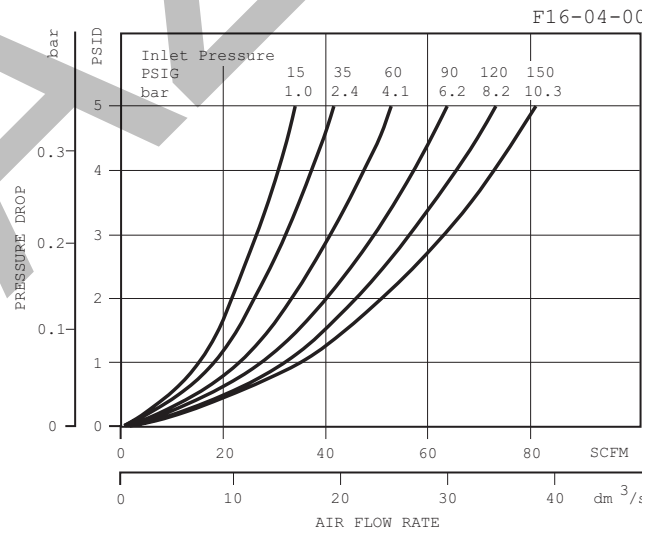
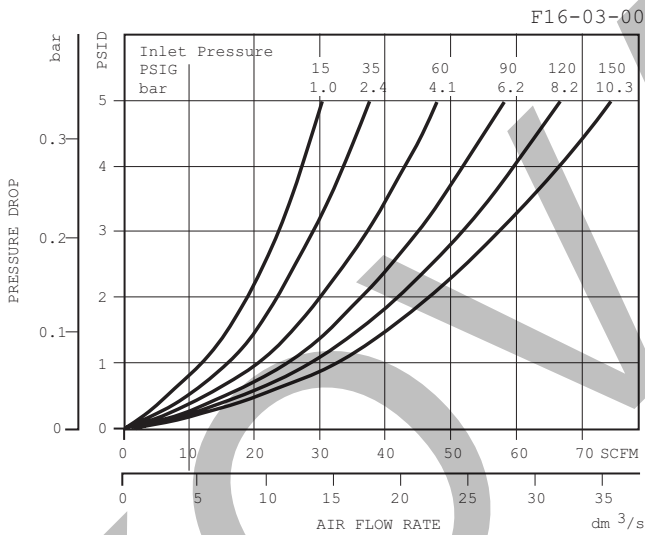
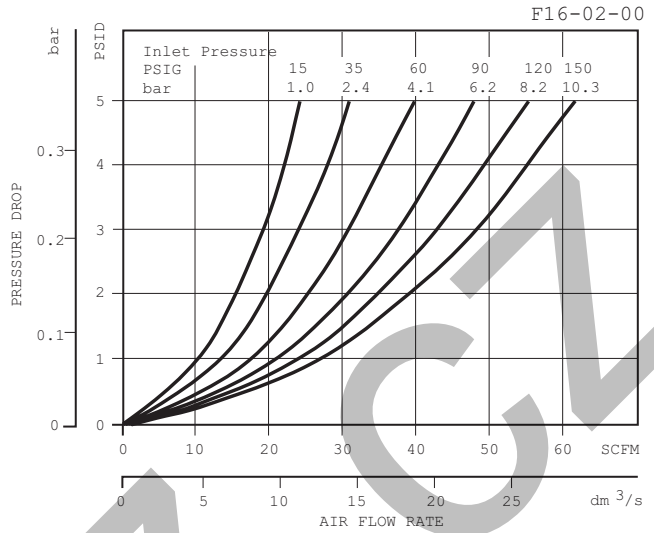
- Metal Bowl –**
 Automatic Drain FRP-95-950
 Manual Drain FRP-95-178
 Sight Gauge, Manual Drain GRP-95-133
- Plastic Bowl –**
 Bowl Guard, Automatic Drain FRP-95-015
 Bowl Guard, Manual Drain FRP-95-014
 Manual Drain FRP-95-017

Replacement Element Kits

- Type "A", 5 Micron..... FRP-95-160

Accessories

- Automatic Drain, Nitrile GRP-95-973
 L-Bracket GPA-95-016
 Manual Drain..... FRP-95-610
 Sight Gauge Kit GRP-95-079

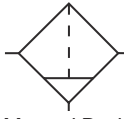


Ordering Information

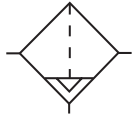
Model Type	Port Size	Polycarbonate Bowl / Bowl Guard	Metal Bowl	Metal Bowl / Sight Gauge	Polycarbonate Bowl / Bowl Guard / Differential Pressure Indicator
Manual Drain	1/4	F16-02-000	F16-02-M00	F16-02-G00	F16-02-D00
	3/8	F16-03-000	F16-03-M00	F16-03-G00	F16-03-D00
	1/2	F16-04-000	F16-04-M00	F16-04-G00	F16-04-D00
Automatic Drain	1/4	F16-02-F00	F16-02-FM0	F16-02-FG0	F16-02-DF0
	3/8	F16-03-F00	F16-03-FM0	F16-03-FG0	F16-03-DF0
	1/2	F16-04-F00	F16-04-FM0	F16-04-FG0	F16-04-DF0

Options - To order an option supplied with the unit model, add the appropriate coded suffix letter in the designated position of the model number.

Particulate Filter F28



Manual Drain



Auto Drain



Specifications

Flow Capacity*	3/8	115 SCFM (54 dm ³ /s, ANR)
	1/2	120 SCFM (57 dm ³ /s, ANR)
	3/4	145 SCFM (68 dm ³ /s, ANR)
Maximum Supply Pressure	Plastic Bowl	150 PSIG (10.3 bar)
	Metal Bowl	250 PSIG (17.2 bar)
Operating Temperature	Plastic Bowl	-13° to 125°F (-25° to 52°C)
	Metal Bowl	-13° to 150°F (-25° to 65.5°C)
Port Size	NPT / BSPP-G	3/8, 1/2, 3/4
Bowl Capacity	2.87 oz	
Standard Filtration	5 Micron	
Weight	1.01 lb. (0.46 kg)	

* Inlet pressure 91.3 PSIG (6.3 bar). Pressure drop 4.9 PSID (.34 bar).

“F” Series Filters, Type “A” 5 micron elements: All Wilkerson Type “A” 5 micron elements **meet or exceed ISO Class 3** for maximum particle size and concentration of solid contaminants.

Features

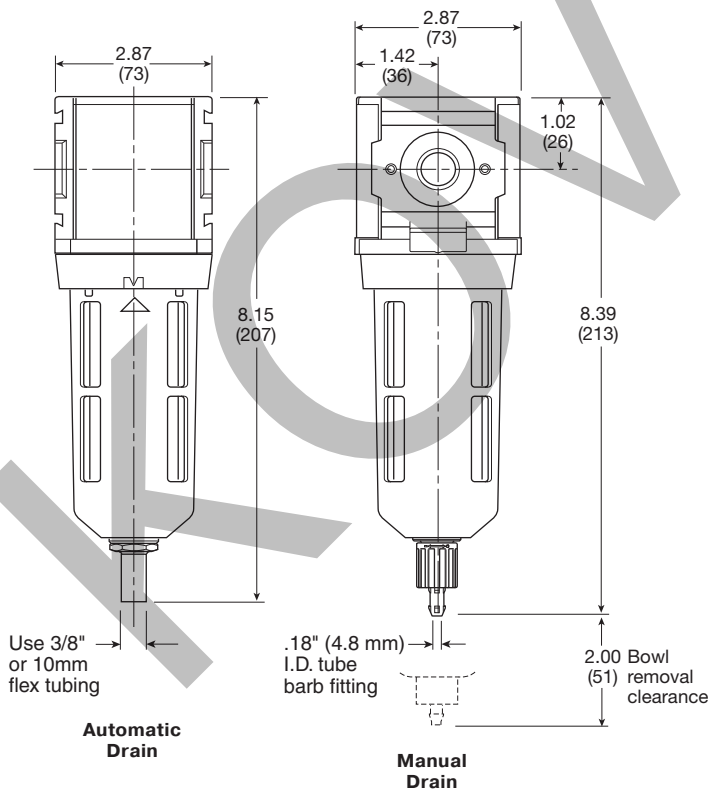
- Standard 5 Micron Filtration
- High Flow Capacities
- 3/4" NPT / BSPP-G Over-port
- Quick-disconnect Bowl
- Bowl Guard
- Light Weight
- Barbed Manual Drain Connection with Pipe-away

Materials of Construction

Body	Aluminum	
Body Cap	ABS	
Bowls	Plastic Bowl	Polycarbonate
	Metal Bowl	Aluminum
Bowl Guard	Nylon	
Deflector	Polypropylene	
Element Retainer / Baffle	Acetal	
Filter Element	Sintered Polyethylene	
Seals	Plastic Bowl	Nitrile
	Metal Bowl	Nitrile
Sight Gauge	Metal Bowl	Polyamide (Nylon)

Air quality:

Within ISO 8573-1: 1991 Class 3 (Particulates)
Within ISO 8573-1: 2001 Class 6 (Particulates)



Inches (mm)

= "Most Popular"

Replacement Bowl Kits

- Metal Bowl with Sight Gauge,
Automatic Float Drain GRP-96-645
- Metal Bowl with Sight Gauge, Manual Drain GRP-96-644
- Plastic Bowl –
Bowl Guard, Auto Drain GRP-96-643
- Bowl Guard, Manual Drain GRP-96-642

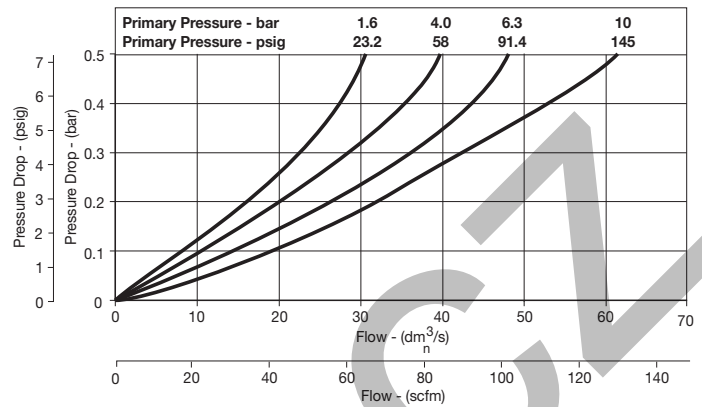
Replacement Element Kits and Bowl Seal

- Type "A", 5 Micron with Element..... FRP-96-653
- Type "A", 5 Micron with Retainer, Deflector,
and Bowl O-ring FRP-96-283

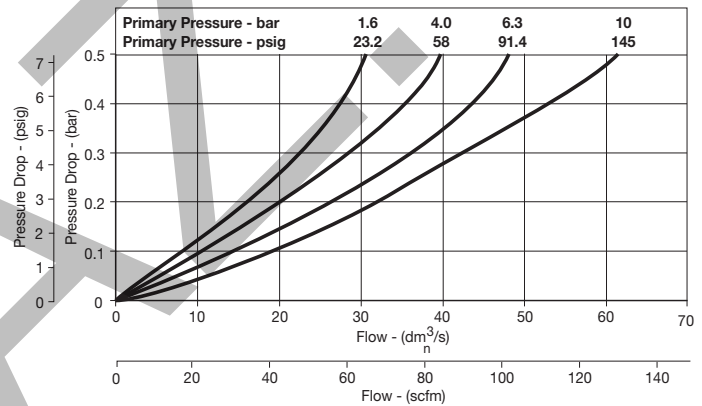
Accessories

- Automatic Drain –
Fluorocarbon GRP-95-981
- Nitrile GRP-95-973
- Manual Drain GRP-96-685
- Sight Gauge Kit GRP-96-825
- Wall Mounting Bracket –
L-Type GPA-96-605
- T-Type GPA-96-602

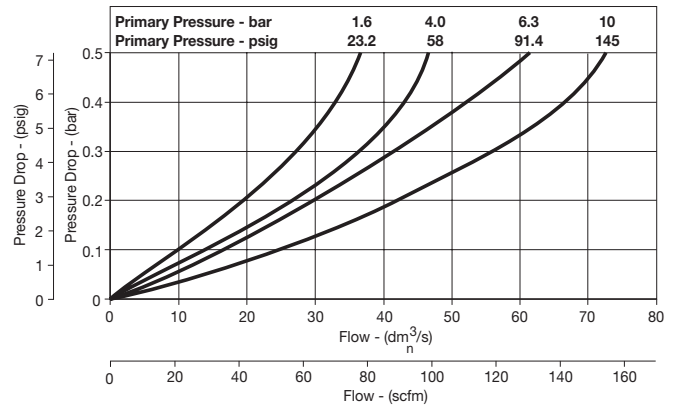
F28 3/8" Filter



F28 1/2" Filter



F28 3/4" Filter



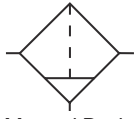
Ordering Information

Model Type	Port Size	Plastic Bowl / Bowl Guard	Metal Bowl / Sight Gauge
Manual Drain	3/8	F28-03-SK00B	F28-03-SL00B
	1/2	F28-04-SK00B	F28-04-SL00B
	3/4	F28-06-SK00B	F28-06-SL00B
Automatic Drain	3/8	F28-03-SG00B	F28-03-SH00B
	1/2	F28-04-SG00B	F28-04-SH00B
	3/4	F28-06-SG00B	F28-06-SH00B

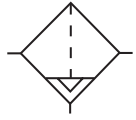
Options - To order an option supplied with the unit model, add the appropriate coded suffix letter in the designated position of the model number.

Particulate Filter F26

= "Most Popular"



Manual Drain



Auto Drain



F26-02-000

Features

- Manual Drain
- 5 Micron Rated Element
- Quick-disconnect Bowl Guard with Integral Plastic Bowl and Safety Latch

Specifications

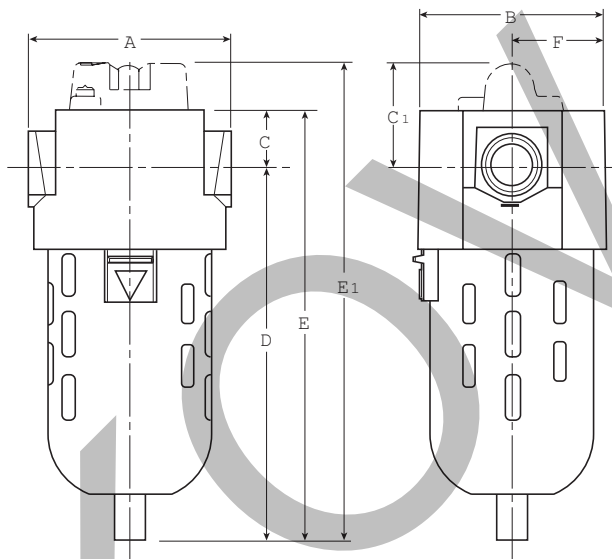
Flow Capacity*	1/4	81.3 SCFM (28.3 dm ³ /s)
	3/8	117.8 SCFM (55.5 dm ³ /s)
	1/2	149.8 SCFM (70.6 dm ³ /s)
Maximum Supply Pressure	Plastic Bowl	150 PSIG (10,3 bar)
	Metal Bowl	200 PSIG (13,8 bar)
Operating Temperature	Plastic Bowl	32° to 125°F (0° to 52°C)
	Metal Bowl	32° to 150°F (0° to 65.5°C)
Port Size	NPT / BSPP-G	1/4, 3/8, 1/2
Bowl Capacity	3.2 oz	
Standard Filtration	5 Micron	
Weight	2.9 lb. (1.3 kg)	

* Inlet pressure 150 PSIG (10.3 bar). Pressure drop 5 PSID (0.3 bar).

"F" Series Filters, Type "A" 5 micron elements: All Wilkerson Type "A" 5 micron elements **meet or exceed ISO Class 3** for maximum particle size and concentration of solid contaminants.

Materials of Construction

Baffle	Acetal	
Body	Zinc	
Bowls	Plastic Bowl	Polycarbonate
	Metal Bowl	Zinc
Deflector	Polypropylene	
Element Retainer	Acetal	
Filter Element	Polyethylene	
Seals	Plastic Bowl	Nitrile
	Metal Bowl	Fluorocarbon
Sight Gauge	Metal Bowl	Polycarbonate



Dimensions

Models	Inches (mm)	A	B	C	C ₁	D	E	E ₁	F
Standard Unit F26-XX-000		3.30 (84)	3.00 (76)	1.00 (25.4)	—	6.40 (162.6)	7.40 (188)	—	1.50 (38)
Differential Pressure Indicator F26-XX-D00		3.30 (84)	3.00 (76)	1.00 (25.4)	1.83 (46.5)	6.40 (162.6)	7.40 (188)	8.23 (209)	1.50 (38)
Automatic Drain F26-XX-F00		3.30 (84)	3.00 (76)	1.00 (25.4)	—	6.40 (162.6)	7.54 (191.5)	—	1.50 (38)
Metal Bowl / Metal Bowl with Sight Gauge F26-XX-G00		3.30 (84)	3.00 (76)	1.00 (25.4)	—	6.40 (162.6)	7.30 (185)	—	1.50 (38)

= "Most Popular"

Replacement Bowl Kits

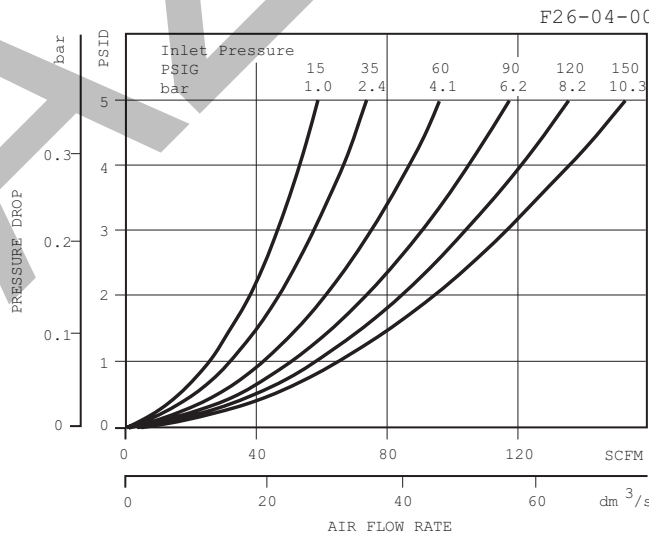
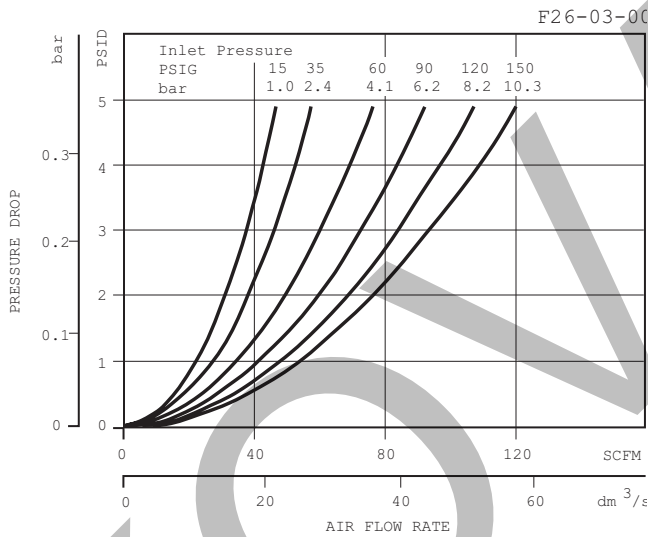
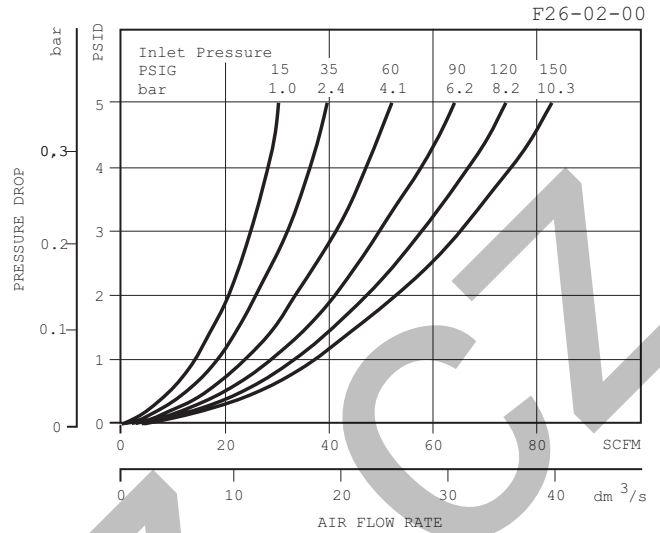
- Metal Bowl –**
 Automatic Drain GRP-95-960
 Manual Drain GRP-95-930
 Sight Gauge, Manual Drain GRP-95-931
- Plastic Bowl –**
 Automatic Drain GRP-95-948
 Bowl Guard, Manual Drain GRP-95-935
 Manual Drain GRP-95-929

Replacement Element Kits

- Type "A", 5 Micron..... FRP-95-115

Accessories

- Automatic Drain, Nitrile GRP-95-973
 Manual Drain..... FRP-95-610
 Sight Gauge Kit GRP-95-079
 L-Bracket GPA-95-946



Ordering Information

Model Type	Port Size	Polycarbonate Bowl / Bowl Guard	Metal Bowl	Metal Bowl / Sight Gauge	Polycarbonate Bowl / Bowl Guard / Differential Pressure Indicator
Manual Drain	1/4	F26-02-000	F26-02-M00	F26-02-G00	F26-02-D00
	3/8	F26-03-000	F26-03-M00	F26-03-G00	F26-03-D00
	1/2	F26-04-000	F26-04-M00	F26-04-G00	F26-04-D00
Automatic Drain	1/4	F26-02-F00	F26-02-FM0	F26-02-FG0	F26-02-DF0
	3/8	F26-03-F00	F26-03-FM0	F26-03-FG0	F26-03-DF0
	1/2	F26-04-F00	F26-04-FM0	F26-04-FG0	F26-04-DF0

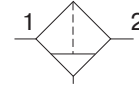
Options - To order an option supplied with the unit model, add the appropriate coded suffix letter in the designated position of the model number.

Particulate Filter F90

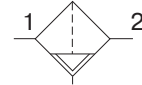
 = "Most Popular"



Symbols



Manual drain



Auto drain

- Integral 3/4" or 1" ports (NPT & BSPP)
- High efficiency particulate element as standard
- Excellent water removal efficiency
- Robust but lightweight aluminum construction
- Low temperature -40° with combined manual / semi-auto drain as standard

F90	-	0	-	6	-	S	-	H	-	0	0													
<table border="1" style="width: 100%; text-align: left; border-collapse: collapse;"> <tr><th>Series</th></tr> <tr><td>Filter F90</td></tr> </table>	Series	Filter F90		<table border="1" style="width: 100%; text-align: left; border-collapse: collapse;"> <tr><th>Thread type*</th></tr> <tr><td>NPT 0</td></tr> <tr><td>BSPP C</td></tr> </table>	Thread type*	NPT 0	BSPP C		<table border="1" style="width: 100%; text-align: left; border-collapse: collapse;"> <tr><th>Port size</th></tr> <tr><td>3/4 6</td></tr> <tr><td>1 8</td></tr> </table>	Port size	3/4 6	1 8		<table border="1" style="width: 100%; text-align: left; border-collapse: collapse;"> <tr><th>Element</th></tr> <tr><td>5 micron S</td></tr> </table>	Element	5 micron S		<table border="1" style="width: 100%; text-align: left; border-collapse: collapse;"> <tr><th>Bowl / drain type</th></tr> <tr><td>H Metal bowl / sight gauge & auto drain</td></tr> <tr><td>L Metal bowl / sight gauge / manual & semi auto drain</td></tr> </table>	Bowl / drain type	H Metal bowl / sight gauge & auto drain	L Metal bowl / sight gauge / manual & semi auto drain			
Series																								
Filter F90																								
Thread type*																								
NPT 0																								
BSPP C																								
Port size																								
3/4 6																								
1 8																								
Element																								
5 micron S																								
Bowl / drain type																								
H Metal bowl / sight gauge & auto drain																								
L Metal bowl / sight gauge / manual & semi auto drain																								

*Note: For 1-1/2" ported unit, please order P3YKA*BCP port block kit separately.
Bold items are most common.

Ordering Information

Port size	Description	Flow† scfm	Max. bar (psig)	Min temp °C (°F)	Max temp °C (°F)	Bowl capacity cm ³ (oz)	Height mm (inches)	Width mm (inches)	Depth mm (inches)	Weight kg (lb)	Part number†
3/4"	Combined manual / semi auto drain	170	17.5 (254)	-40 (-40)	60 (140)	130 (4.4)	244 (9.6)	90 (3.5)	94 (3.7)	0.9 (1.98)	F90-06-SL00
3/4"	Auto drain	170	17.5 (254)	-10 (14)	60 (140)	130 (4.4)	244 (9.6)	90 (3.5)	94 (3.7)	0.9 (1.98)	F90-06-SH00
1"	Combined manual / semi auto drain	170	17.5 (254)	-40 (-40)	60 (140)	130 (4.4)	244 (9.6)	90 (3.5)	94 (3.7)	0.9 (1.98)	F90-08-SL00
1"	Auto drain	170	17.5 (254)	-10 (14)	60 (140)	130 (4.4)	244 (9.6)	90 (3.5)	94 (3.7)	0.9 (1.98)	F90-08-SH00

† Standard part numbers shown in bold. For other models refer to Options chart above.

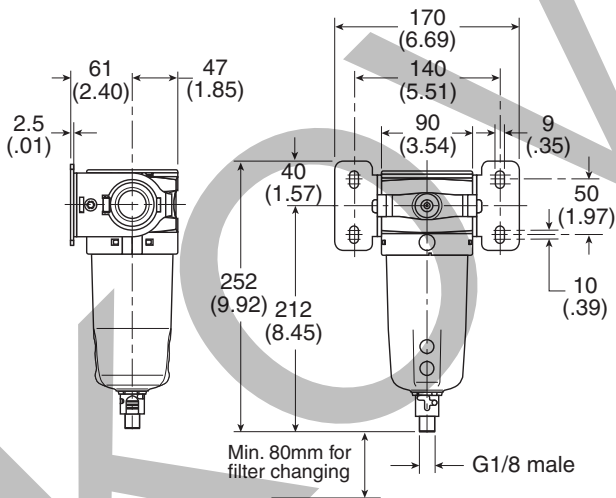
‡ Flow with 6.3 bar (91.4 psig) inlet pressure and 0.5 (7.3 psig) pressure drop.

Specifications

Fluid	Compressed air	
Maximum inlet pressure*	17.5 bar (254 psig)	
Temperature range*:		
Auto drain	-10°C to 60°C (14°F to 140°F)	
Combined drain	-40°C to 60°C (-40°F to 140°F)	
Particle removal	5 micron	
Air quality	Within ISO 8573-1: 1991 Class 3 and 5 (particulates)	
	Within ISO 8573-1: 2001 Class 6 and 7 (particulates)	
Typical flow 5 micron element	1" port	
6.3 bar (91.4 psig) inlet pressure and	170 scfm	
0.5 bar (7.3 psig) pressure drop		
Manual / semi-auto drain	Closed at 0.8 bar (11.6 psig)	
	G1/8 thread male	
Auto drain bowl pressure to close drain	0.8 bar (11.6 psig)	
Operating range	0.8 bar (11.6 psig) to	
manual override facility	17.5 bar (254 psig)	
Bowl capacity	130 cm ³ (4.4 US oz)	

* Air supply must be dry enough to avoid ice formation at temperatures below 2°C (35.6°F).

Dimensions mm (inches)

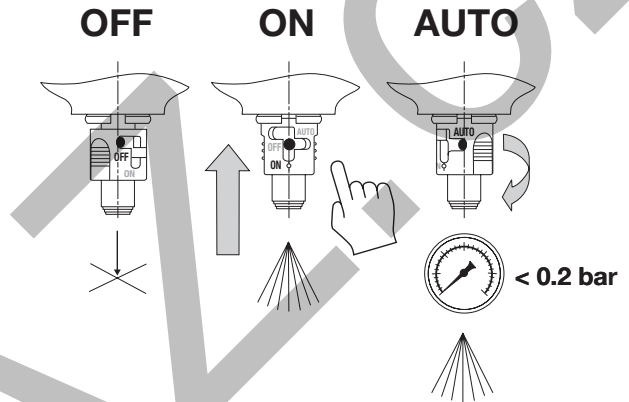


Service kits

- 5 micron element kit P3YKA00ESE
- 40 micron element kit P3YKA00ESG
- Bowl kit with combined manual / semi auto drain..... P3YKA00BSC
- Bowl kit with auto drain P3YKA00BSA

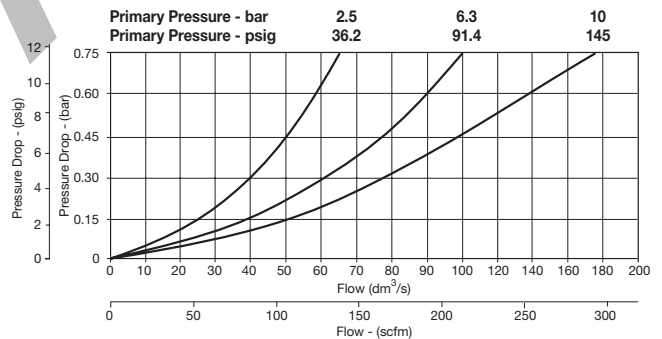
Material specifications

Body	Aluminum	
Sight glass	Polypropylene	
Body cover	ABS	
Element	Sintered P.E.	
Seals	Nitrile NBR	
Drains	Manual / semi-auto:	Acetal
	Automatic:	PA / Ø 10mm brass connection

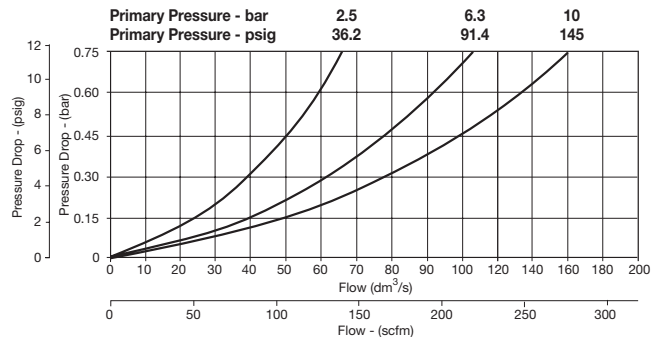


Flow characteristics

(3/4") Filter

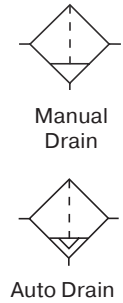


(1") Filter



Particulate Filter F30

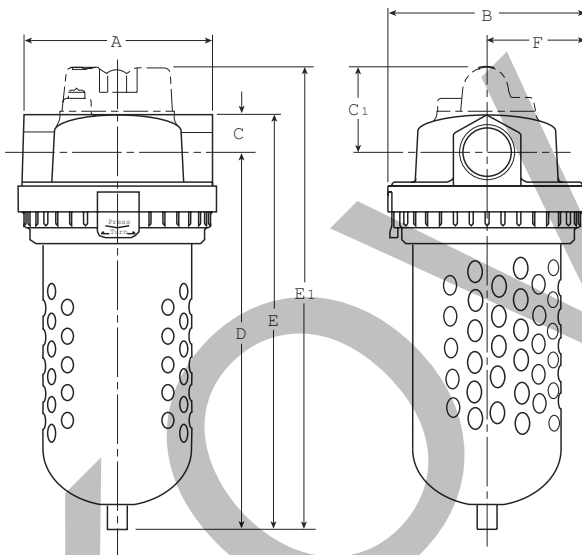
= "Most Popular"



F30-06-000

Features

- Standard Manual Drain
- Standard 5 Micron Rated Element
- Quick-disconnect Clamp Ring for Easy Bowl Removal
- Bowl Guard



Dimensions

Models	Inches (mm)	A	B	C	C ₁	D	E	E ₁	F
Standard Unit F30-XX-000		4.63 (118)	4.79 (122)	.94 (24)	—	8.96 (228)	9.90 (251)	—	2.40 (61)
Differential Pressure Indicator F30-XX-D00		4.63 (118)	4.79 (122)	.94 (24)	1.89 (48)	8.96 (228)	9.90 (251)	10.73 (272.5)	2.40 (61)
Automatic Drain F30-XX-F00		4.63 (118)	4.79 (122)	.94 (24)	—	8.96 (228)	10.04 (255)	—	2.40 (61)
Metal Bowl F30-XX-M00		4.63 (118)	4.79 (122)	.94 (24)	—	8.96 (228)	10.00 (254)	—	2.40 (61)
Metal Bowl with Sight Gauge F30-XX-G00		4.63 (118)	4.79 (122)	.94 (24)	—	8.96 (228)	9.90 (251)	—	2.40 (61)

Specifications

Flow Capacity*	3/4 1	316 SCFM (149.1 dm ³ /s) 323 SCFM (152.4 dm ³ /s)
Maximum Supply Pressure	Plastic Bowl Metal Bowl	150 PSIG (10.3 bar) 200 PSIG (13.8 bar)
Operating Temperature	Plastic Bowl Metal Bowl	32° to 125°F (0° to 52°C) 32° to 150°F (0° to 65.5°C)
Port Size	NPT / BSPP-G	3/4, 1
Bowl Capacity		2.0 oz
Standard Filtration		5 Micron
Weight		5.5 lb. (2.5 kg)

* Inlet pressure 150 PSIG (10.3 bar). Pressure drop 5 PSID (0.3 bar).

"F" Series Filters, Type "A" 5 micron elements: All Wilkerson Type "A" 5 micron elements **meet or exceed ISO Class 3** for maximum particle size and concentration of solid contaminants.

Materials of Construction

Baffle		Acetal
Body		Zinc
Bowls	Plastic Bowl Metal Bowl	Polycarbonate Zinc
Deflector		Aluminum
Element Retainer		Steel Stud
Filter Element		Polyethylene
Seals	Plastic Bowl Metal Bowl	Nitrile Fluorocarbon
Sight Gauge	Metal Bowl	Tempered Glass

= "Most Popular"

Replacement Bowl Kits

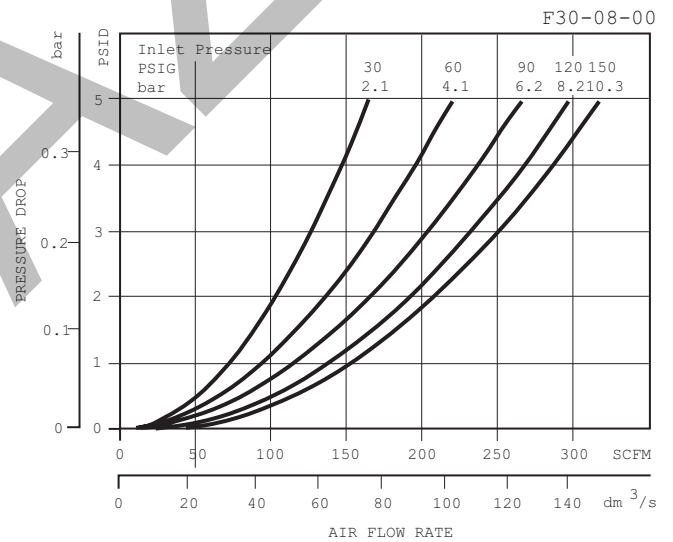
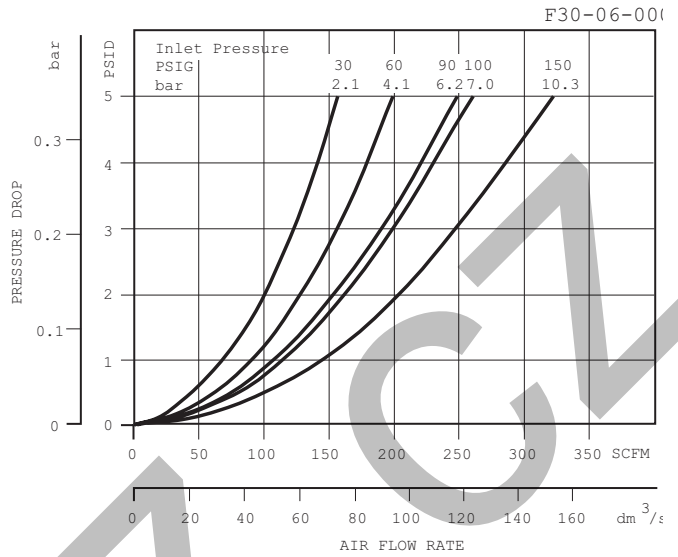
- Metal Bowl –**
 Automatic Drain GRP-95-970
 Sight Gauge, Manual Drain GRP-95-676
 Manual Drain FRP-95-593
- Plastic Bowl –**
 Bowl Guard, Automatic Drain FRP-95-775
 Bowl Guard, Manual Drain FRP-95-832
 Manual Drain FRP-96-315

Replacement Element Kits

- Type "A", 5 Micron.....FRP-95-209

Accessories

- Automatic Drain, Nitrile GRP-95-973
 Manual Drain.....FRP-95-610
 Sight Gauge KitFRP-95-771



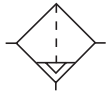
Ordering Information

Model Type	Port Size	Polycarbonate Bowl / Bowl Guard	Metal Bowl	Metal Bowl / Sight Gauge	Polycarbonate Bowl / Bowl Guard / Differential Pressure Indicator
Manual Drain	3/4	F30-06-000	F30-06-M00	F30-06-G00	F30-06-D00
	1	F30-08-000	F30-08-M00	F30-08-G00	F30-08-D00
Automatic Drain	3/4	F30-06-F00	F30-06-FM0	F30-06-FG0	F30-06-DF0
	1	F30-08-F00	F30-08-FM0	F30-08-FG0	F30-08-DF0

Options - To order an option supplied with the unit model, add the appropriate coded suffix letter in the designated position of the model number.

Particulate Filter F34

= "Most Popular"



Auto Drain



F34-06-000

Features

- Standard Auto. Drain
- Standard 5 Micron Rated Element
- Quick-disconnect Clamp Ring for Easy Bowl Removal
- Bowl Guard

Specifications

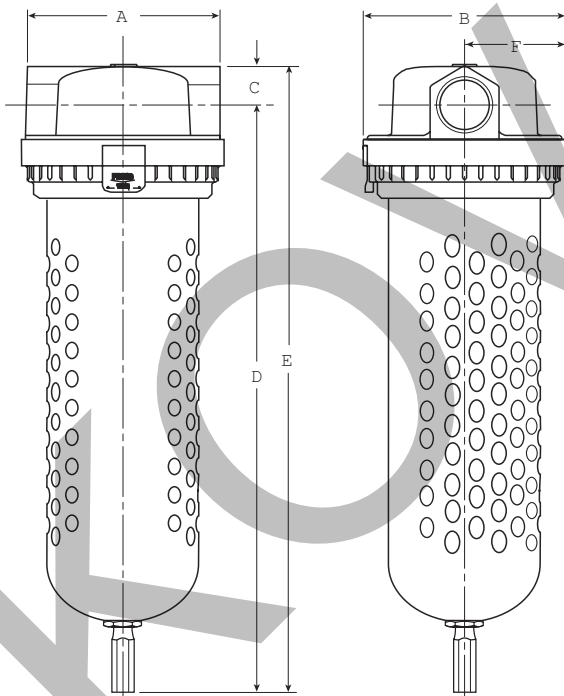
Flow Capacity*	1/2	190 SCFM (90.4 dm ³ /s)
	3/4	285 SCFM (134.4 dm ³ /s)
	1	362 SCFM (171.0 dm ³ /s)
Maximum Supply Pressure	Plastic Bowl	150 PSIG (10.3 bar)
	Metal Bowl	200 PSIG (13.8 bar)
Operating Temperature	Plastic Bowl	32° to 125°F (0° to 52°C)
	Metal Bowl	32° to 150°F (0° to 65.5°C)
Port Size	NPT / BSPP-G	1/2, 3/4, 1
Bowl Capacity	16.6 oz	
Standard Filtration	5 Micron	
Weight	6.4 lb. (2.9 kg)	

* Inlet pressure 150 PSIG (10.3 bar). Pressure drop 5 PSID (0.3 bar).

"F" Series Filters, Type "A" 5 micron elements: All Wilkerson Type "A" 5 micron elements **meet or exceed ISO Class 3** for maximum particle size and concentration of solid contaminants.

Materials of Construction

Baffle	Acetal	
Body	Zinc	
Bowls	Plastic Bowl	Polycarbonate
	Metal Bowl	Aluminum
Deflector	Aluminum	
Element Retainer	Steel Stud	
Filter Element	Polyethylene	
Seals	Plastic Bowl	Nitrile
	Metal Bowl	Fluorocarbon



Dimensions

Models	Inches (mm)	A	B	C	D	E	F
Standard Unit (Automatic Drain Standard) F34-XX-000		4.61 (117)	4.80 (122)	.94 (24)	14.04 (356)	14.98 (380)	2.40 (61)
Metal Bowl		4.61 (117)	4.80 (122)	.94 (24)	13.52 (343)	14.46 (367)	2.40 (61)

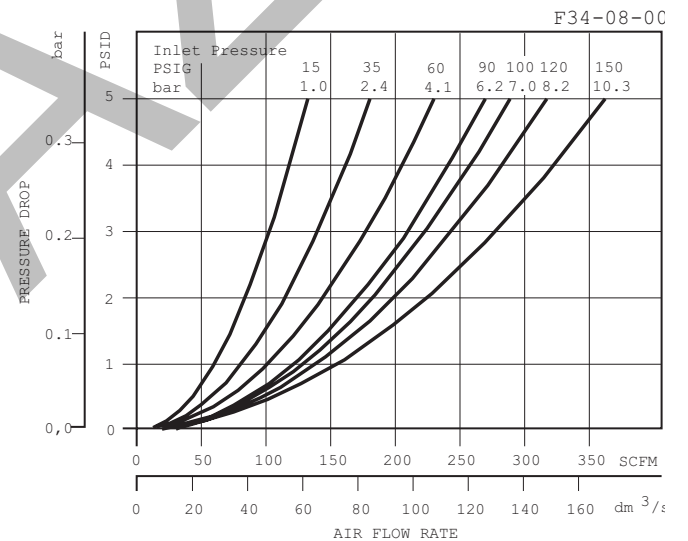
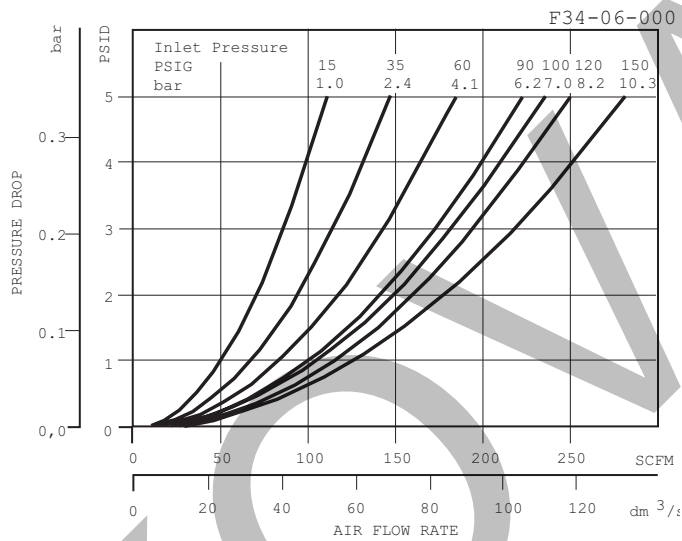
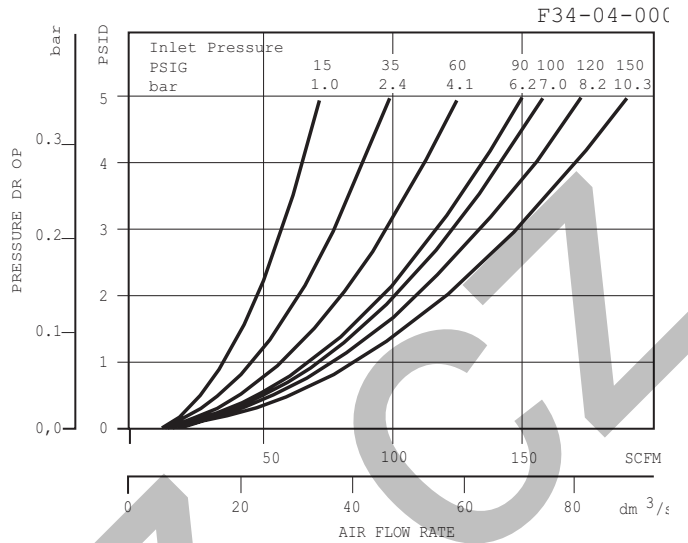
= "Most Popular"

Replacement Bowl Kits

- Plastic Bowl –
- Bowl Guard, Auto Drain GRP-95-904
- Metal Bowl –
- Includes Auto Drain Assembly..... GRP-95-905

Replacement Element Kits

- Type "A", 5 Micron.....FRP-95-209



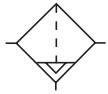
Ordering Information

Model Type	Port Size	Polycarbonate Bowl / Bowl Guard	Metal Bowl
Automatic Drain	1/2	F34-04-000	F34-04-M00
	3/4	F34-06-000	F34-06-M00
	1	F34-08-000	F34-08-M00

Options - To order an option supplied with the unit model, add the appropriate coded suffix letter in the designated position of the model number.

Particulate Filter F35

= "Most Popular"



Auto Drain



F35-0B-000

Features

- Heavy-duty Cast Aluminum Housings to Withstand Operating Pressures Up to 250 PSIG*
- Differential Pressure Indicator to Eliminate the Guesswork of Element Replacement
- Differential pressure gauge available, order separately, Kit DP3-01-000
- Unique Drain Mounting Plate Design Offers a Trouble-free Method for Interchanging and Installing External Drains

Specifications

Flow Capacity*	1-1/2	1280 SCFM (604 dm ³ /s)
	2	1400 SCFM (660 dm ³ /s)
Maximum Supply Pressure	without DPI and with Pressure Gauge	250 PSIG (17.2 bar)†
	with DPI	150 PSIG (10.3 bar)
Operating Temperature	32° to 150°F (0° to 65.5°C)	
Port Size	NPT / BSPP-G	1-1/4, 1-1/2, 2
Bowl Capacity	12.5 oz	
Standard Filtration	5 Micron	
Weight	19.3 lb. (8.7 kg)	

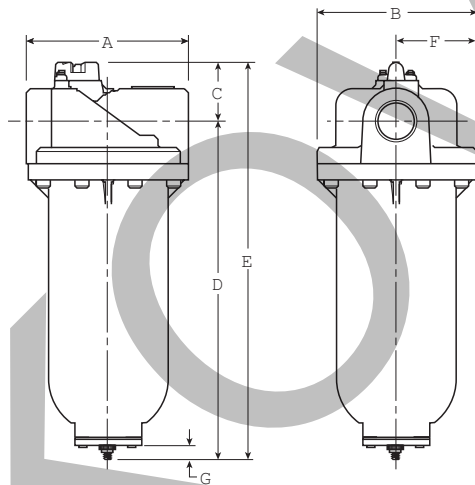
* Inlet pressure 150 PSIG (10.3 bar). Pressure drop of 5 PSID (0.3 bar).

** Without pressure indicator – Max. supply pressure is 250 PSIG (17.2 bar).

"F" Series Filters, Type "A" 5 micron elements: All Wilkerson Type "A" 5 micron elements **meet or exceed ISO Class 3** for maximum particle size and concentration of solid contaminants.

Materials of Construction

Baffle	Plated Steel
Body	Aluminum
Bowls	Aluminum
Deflector	Plated Steel
Element Retainer	Plated Steel
Filter Element	Polyethylene
Seals	Fluorocarbon
Stud	Plated Steel



NOTE: Automatic internal float drain shown is included on F35 filters with F00 suffix only. Models with 000 suffix include drain plate with tapped 1/2 NPT / BSPP-G drain port.

Dimensions

Models	Inches (mm)	A	B	C	D	E	F	G
Standard Unit F35-XX-000		7.80 (198)	7.75 (197)	2.81 (71)	16.24 (412.5)	19.07 (484)	3.88 (98.6)	.55 (14)
Automatic Drain F35-XX-F00		7.80 (198)	7.75 (197)	2.81 (71)	15.69 (398.5)	18.52 (470)	3.88 (98.6)	.55 (14)

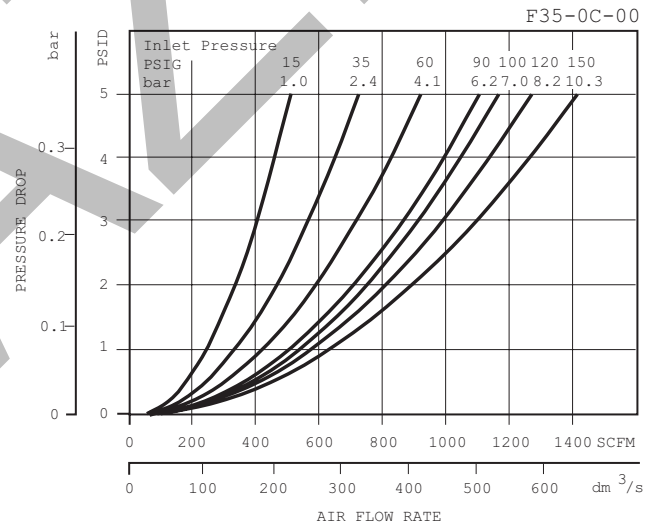
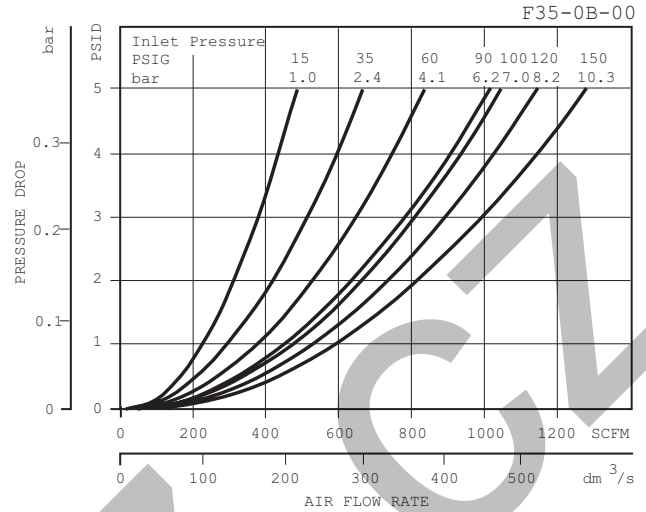
= "Most Popular"

Replacement Element Kit

Element, F35, 5 Micron, Fluorocarbon O-rings FRP-95-505

Accessories

- Cap, Differential Pressure Indicator –
For pressures over 150 PSIG..... GRP-95-022
- Drain, Automatic, Internal, Fluorocarbon,
1/8 NPT GRP-95-981
- Drain Plate Kit –
1/2 NPT tapped drain port GRP-95-393
5/16 Dia. Drain Port,
For use with Internal Auto Drain..... GRP-95-391
- Gauge, Differential Pressure..... DP3-01-000
- Indicator, Differential Pressure DP2-02-001
- Manual Drain Kit
Includes 1/2" Drain Plate, Manual Drain..... GRP-95-392
- Manual Override for Auto Float Drain –
GRP-05-981 Required GRP-96-001



Ordering Information

Model Type	Port Size	Metal Bowl	
Manual Drain	1-1/2	F35-0B-000	(Includes 1/2 NPT / BSPP-G Drain Plate)
	2	F35-0C-000	
Automatic Drain	1-1/2	F35-0B-F00	
	2	F35-0C-F00	

Options - To order an option supplied with the unit model, add the appropriate coded suffix letter in the designated position of the model number.

Particulate Filter F43

 = "Most Popular"

Specifications

Flow Capacity*	3	2900 SCFM (1368 dm ³ /s)
Maximum Supply Pressure	without DPI and with Pressure Gauge	250 PSIG (17.2 bar)†
	with DPI	150 PSIG (10.3 bar)
Operating Temperature	32° to 150°F (0° to 65.5°C)	
Port Size	NPT / BSPP-G	3
Bowl Capacity	14 oz	
Standard Filtration	5 Micron	
Weight	32.8 lb. (14.9 kg)	

* Inlet pressure 150 PSIG (10.3 bar). Pressure drop of 5 PSID (0.3 bar).

** Without pressure indicator – Max. supply pressure is 250 PSIG (17.3bar).

"F" Series Filters, Type "A" 5 micron elements: All Wilkerson Type "A" 5 micron elements **meet or exceed ISO** Class 3 for maximum particle size and concentration of solid contaminants.

Materials of Construction

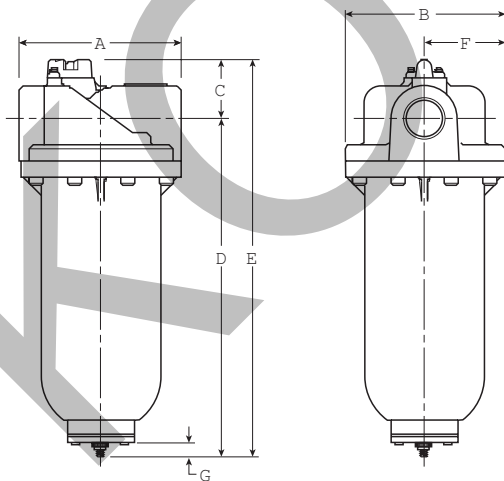
Baffle	Plated Steel
Body	Aluminum
Bowls	Aluminum
Deflector	Plated Steel
Filter Element	Polyethylene
Seals	Fluorocarbon
Stud	Plated Steel



F43-0E-000

Features

- Heavy-duty Cast Aluminum Housings to Withstand Operating Pressures Up to 250 PSIG*
- Differential Pressure Indicator to Eliminate the Guesswork of Element Replacement
- Differential pressure gauge available, order separately, Kit DP3-01-000
- Unique Drain Mounting Plate Design Offers a Trouble-free Method for Interchanging and Installing External Drains
- 5 Micron High Flow Particulate Element



NOTE: Standard filter includes tapped 1/2 NPT / BSPP-G drain plate. To order internal float drain shown, order drain adapter plate GRP-95-391 and automatic drain GRP-95-981.

Dimensions

Models	Inches (mm)	A	B	C	D	E	F	G
Standard Unit F43-0E-000		8.94 (227)	8.88 (225.5)	3.48 (88)	25.96 (659.4)	29.44 (748)	4.44 (112.8)	.55 (14)

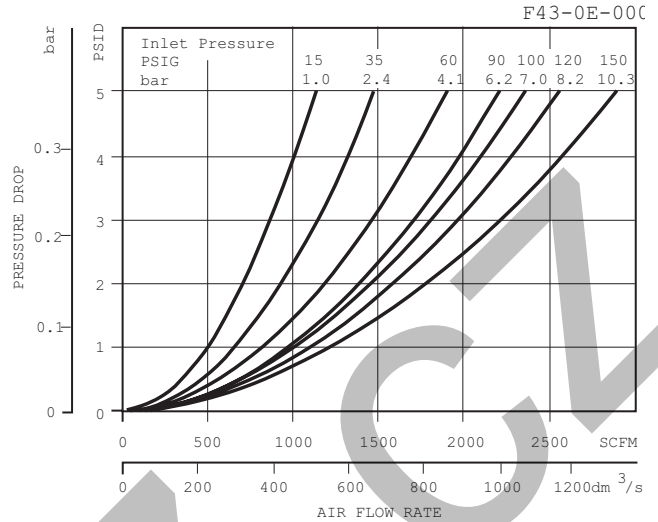
= "Most Popular"

Replacement Element Kit

Element, F43, 5 Micron, Fluorocarbon O-rings FRP-95-508

Accessories

- Cap, Differential Pressure Indicator –
For pressures over 150 PSIG..... GRP-95-022
- Drain, Automatic, Internal, Fluorocarbon,
1/8 NPT GRP-95-981
- Drain Plate Kit –
1/2 NPT tapped drain port GRP-95-393
5/16 Dia. Drain Port,
For use with Internal Auto Drain..... GRP-95-391
- Gauge, Differential Pressure..... DP3-01-000
- Indicator, Differential Pressure DP2-02-001
- Manual Drain Kit
Includes 1/2" Drain Plate, Manual Drain..... GRP-95-392
- Manual Override for Auto Float Drain –
GRP-05-981 Required GRP-96-000



Ordering Information

Model Type	Port Size	Metal Bowl
F43	3	F43-0E-000 (Includes 1/2 NPT / BSPP-G Drain Plate)

Options - To order an option supplied with the unit model, add the appropriate coded suffix letter in the designated position of the model number.