

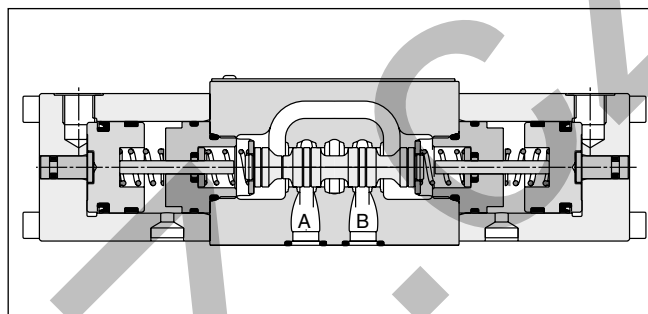
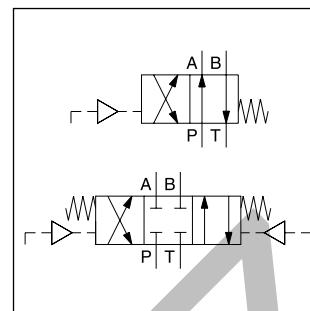
**Characteristics**

Pneumatically controlled directional control valves of series D1VA are based on the standard D1VW design.

The main spool is operated via an auxiliary spool of larger diameter. Thus enables low operating pressures from 3 to 5 bar.

Pneumatic connection via thread G1/8 in the end caps.

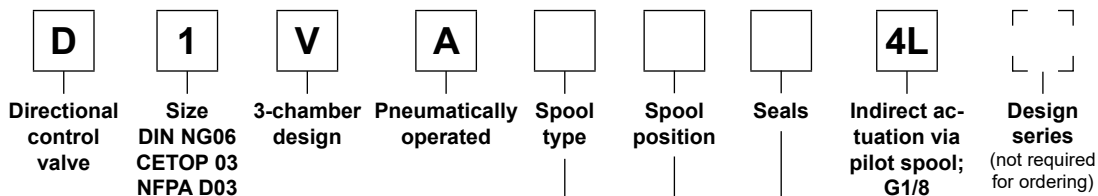
2



**Technical data**

General			
Design	Directional spool valve		
Actuation	Pneumatic		
Size	DIN NG06 / CETOP 03 / NFPA D03		
Mounting interface	DIN 24340 A06, ISO 4401, NFPA D03, CETOP RP 121-H		
Mounting position	unrestricted, preferably horizontal		
Ambient temperature	[°C]	-25...+60	
MTTF <sub>D</sub> value	[years]	150	
Weight	[kg]	1.3	
Hydraulic			
Max. operating pressure	[bar]	P, A B: 350; T: 105	
Fluid	Hydraulic oil according to DIN 51524		
Fluid temperature	[°C]	-20 ... +70 (NBR: -25...+70)	
Viscosity permitted	[cSt] / [mm <sup>2</sup> /s]	2.8...400	
Viscosity recommended	[cSt] / [mm <sup>2</sup> /s]	30...80	
Filtration	ISO 4406 (1999); 18/16/13		
Flow max.	[l/min]	60 <sup>1)</sup>	
Leakage at 350 bar (per flow path)	[ml/min]	up to 60 <sup>1)</sup>	
Operating pressure w/o tank pressure	[bar]	min. 3	
	with max tank	[bar]	min. 5
Static / Dynamic			
Step response	The response times depend on the pilot oil pressure and on the speed of the increase / decrease of the pilot pressure.		
Recommended values are (act./deact.) depending on pilot pressure and pipe length	[ms]	13/28	

<sup>1)</sup> Depending on spool.



2

3 position spools	
Code	Spool type
	a 0 b
<b>001</b>	
002	
<b>004</b>	
006	
008 <sup>1)</sup>	
009 <sup>1)</sup>	

2 position spools	
Code	Spool type
	a b
<b>020</b>	
026	
030	

Code	Seals
<b>N</b>	<b>NBR</b>
V	FPM

3 position spools		
Code	Spool position	
<b>C</b>		<b>3 positions.</b> Spring offset in position "0". Operated in position "a" or "b".
	Standard	Spool type 008, 009
E		2 positions. Spring offset in position "0".
F		2 positions. Operated in position "0".
K		2 positions. Spring offset in position "0".
M		2 positions. Operated in position "0".

2 position spools		
Code	Spool position	
<b>B</b>		Spring offset in position "b". Operated in position "a".
<b>D</b>		Detent, operated in position "a" or "b". No centre or offset position.
<b>H</b>		Spring offset in position "a". Operated in position "b".

**Bold letters = Short-term availability**

<sup>1)</sup> Consider specific spool position.

Further spool types and styles on request.

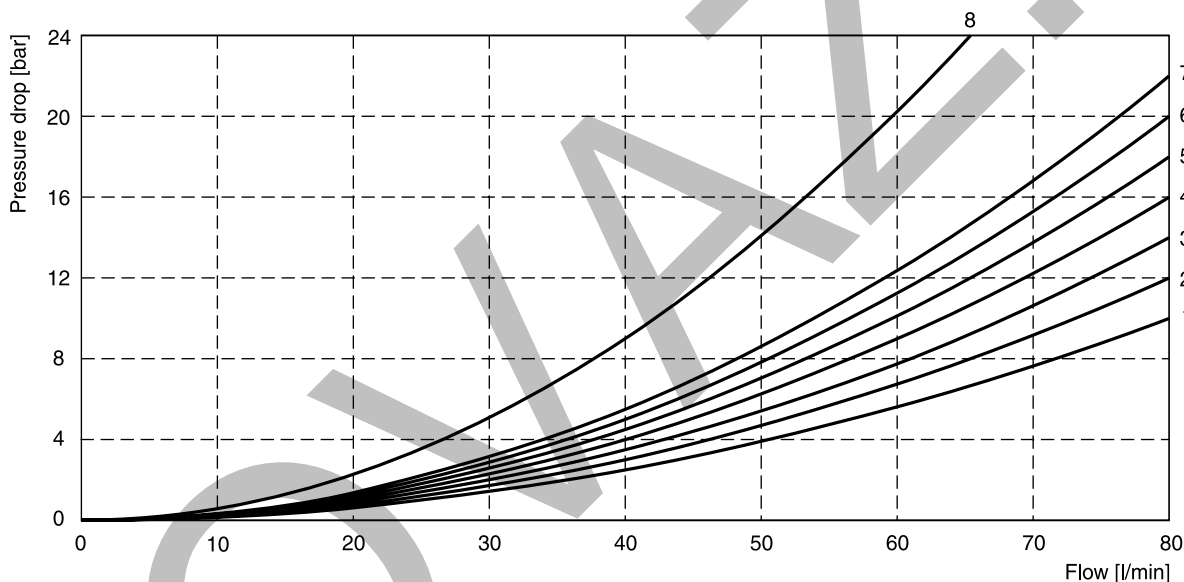
**Flow Curves Diagrams / Shift Limits**

The flow curve diagram shows the flow versus pressure drop curves for all spool types. The relevant curve number

for each spool type, operating position and flow direction is given in the table below.

Spool	Position „b“		Position „a“		Position „0“				
	P->A	B->T	P->B	A->T	P->A	P->B	A->T	B->T	P->T
001	2	2	2	2	-	-	-	-	-
002	1	4	1	4	1	1	5	5	2
004	2	3	2	3	-	-	7	7	-
006	1	4	1	4	7	7	-	-	-
020	4	4	2	3	-	-	-	-	-
026	4	-	4	-	-	-	-	-	-
030	2	3	1	2	-	-	-	-	-
	P->B	A->T	P->A	B->T	P->A	P->B	A->T	B->T	P->T
008	4	5	4	5	-	-	-	-	8
009	5	5	6	7	-	-	-	-	7

**Flow curves**

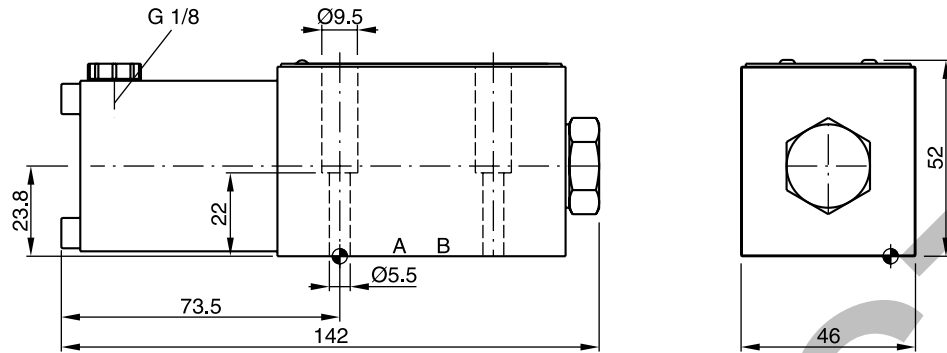


All characteristic curves measured with HLP46 at 50 °C.

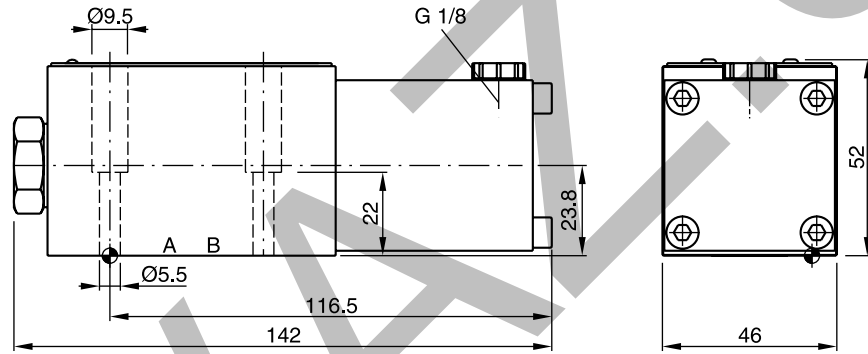
**Shift limits**

Spool	Shift limit [l/min]
001	60
002	
004	
006	
020	
030	
008	40
009	
026	20

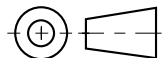
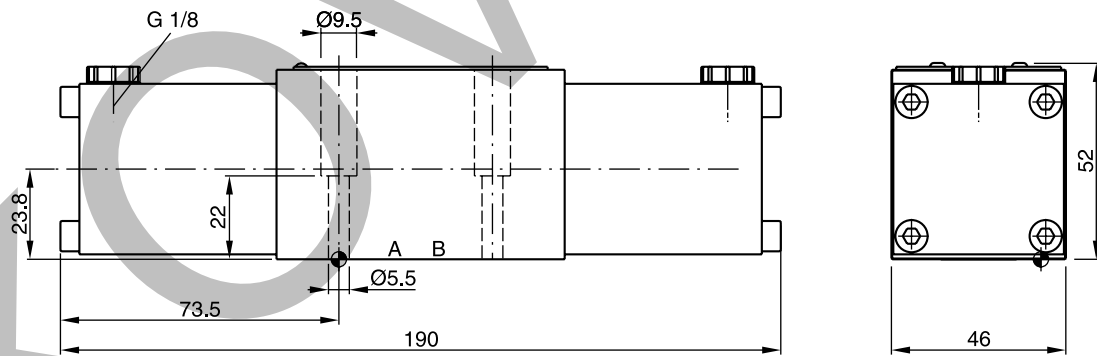
**B, E, F -style**





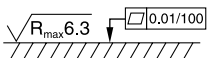


**H, K, M -style**



**C, D -style**



Surface finish	 Kit	 Kit	 Kit	 Kit
	BK375	4x M5x30 ISO 4762-12.9	7.6 Nm ±15 %	<b>NBR: SK-D1VA-N-91</b> FPM: SK-D1VA-V-91