

### PJTF Series Female Thread Connector

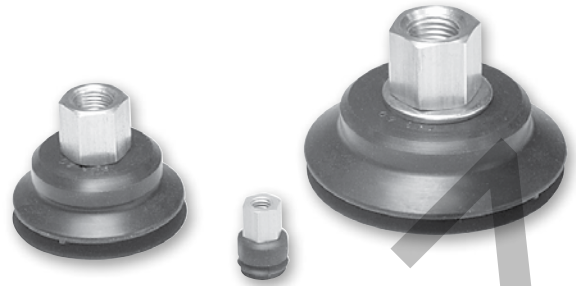
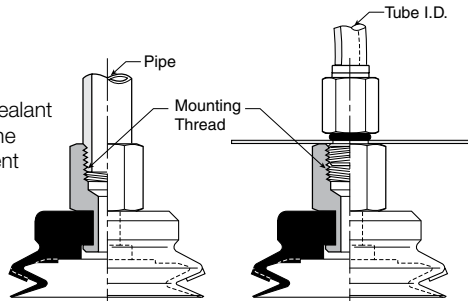
Simple female connection for low profile positions secured to a plate or bracket. BSPP, NPT metric threads.

Fitting material: aluminum.

#### Installation

**Note:**

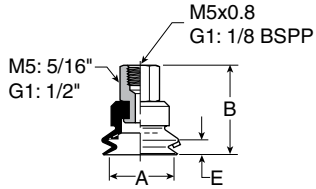
When installing cup assemblies, use a sealant material to secure the assembly and prevent vacuum leakage.



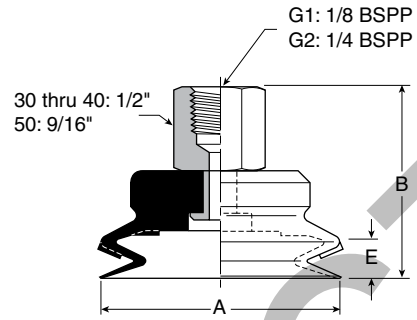
| Cup diameter (mm) | Vacuum port | Complete assembly Nitrile | Replacement cup Nitrile (NB) | Complete assembly Silicon (SI) | Replacement cup Silicon (SI) | Replacement cup fitting |
|-------------------|-------------|---------------------------|------------------------------|--------------------------------|------------------------------|-------------------------|
| 6                 | M5          | PJTF-6-NBR-M5             | PJG-6-NBR                    | PJTF-6-SI-M5                   | PJG-6-SI                     | FTF-5A-M5               |
| 6                 | 1/8 BSPP    | PJTF-6-NBR-G1             | PJG-6-NBR                    | PJTF-6-SI-G1                   | PJG-6-SI                     | FTF-5A-G1               |
| 8                 | M5          | PJTF-8-NBR-M5             | PJG-8-NBR                    | PJTF-8-SI-M5                   | PJG-8-SI                     | FTF-5A-M5               |
| 8                 | 1/8 BSPP    | PJTF-8-NBR-G1             | PJG-8-NBR                    | PJTF-8-SI-G1                   | PJG-8-SI                     | FTF-5A-G1               |
| 10                | M5          | PJTF-10-NBR-M5            | PJG-10-NBR                   | PJTF-10-SI-M5                  | PJG-10-SI                    | FTF-5A-M5               |
| 10                | 1/8 BSPP    | PJTF-10-NBR-G1            | PJG-10-NBR                   | PJTF-10-SI-G1                  | PJG-10-SI                    | FTF-5A-G1               |
| 15                | M5          | PJTF-15-NBR-M5            | PJG-15-NBR                   | PJTF-15-SI-M5                  | PJG-15-SI                    | FTF-5A-M5               |
| 15                | 1/8 BSPP    | PJTF-15-NBR-G1            | PJG-15-NBR                   | PJTF-15-SI-G1                  | PJG-15-SI                    | FTF-5A-G1               |
| 30                | 1/8 BSPP    | PJTF-30-NBR-G1            | PJG-30-NBR                   | PJTF-30-SI-G1                  | PJG-30-SI                    | FTF-20B-G1              |
| 30                | 1/4 BSPP    | PJTF-30-NBR-G2            | PJG-30-NBR                   | PJTF-30-SI-G2                  | PJG-30-SI                    | FTF-20B-G2              |
| 40                | 1/8 BSPP    | PJTF-40-NBR-G1            | PJG-40-NBR                   | PJTF-40-SI-G1                  | PJG-40-SI                    | FTF-20B-G1              |
| 40                | 1/4 BSPP    | PJTF-40-NBR-G2            | PJG-40-NBR                   | PJTF-40-SI-G2                  | PJG-40-SI                    | FTF-20B-G2              |
| 50                | 1/8 BSPP    | PJTF-50-NBR-G1            | PJG-50-NBR                   | PJTF-50-SI-G1                  | PJG-50-SI                    | FTF-50-G1               |
| 50                | 1/4 BSPP    | PJTF-50-NBR-G2            | PJG-50-NBR                   | PJTF-50-SI-G2                  | PJG-50-SI                    | FTF-50-G2               |
| 60                | 1/4 BSPP    | PJTF-60-NBR-G2            | PJG-60-NBR                   | PJTF-60-SI-G2                  | PJG-60-SI                    | FTF-60-G2               |
| 60                | 1/4 NPT     | PJTF-60-NBR-N2            | PJG-60-NBR                   | PJTF-60-SI-N2                  | PJG-60-SI                    | FTF-60-N2               |
| 80                | 1/4 BSPP    | PJTF-80-NBR-G2            | PJG-80-NBR                   | PJTF-80-SI-G2                  | PJG-80-SI                    | FTF-60-G2               |
| 80                | 1/4 NPT     | PJTF-80-NBR-N2            | PJG-80-NBR                   | PJTF-80-SI-N2                  | PJG-80-SI                    | FTF-60-N2               |

**Dimensions**

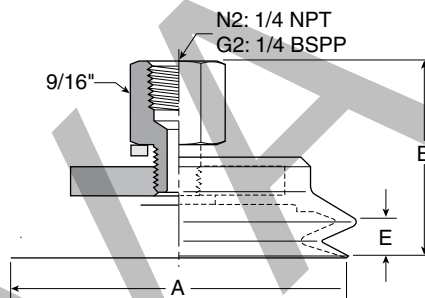
**PJTF-6 and  
 PJTF-8**



**PJTF-30 thru  
 PJTF-50**



**PJTF-60 thru  
 PJTF-80**



**Dimensions (mm)**

| Model number | ØA | B    | B (M5) | E   |
|--------------|----|------|--------|-----|
| PJTF-6-*†    | 6  | 20   | 14     | 4   |
| PJTF-8-*†    | 8  | 20   | 14     | 4   |
| PJTF-10-*†   | 10 | 20   | 14     | 3   |
| PJTF-15-*†   | 15 | 20   | 14     | 3.3 |
| PJTF-30-*†   | 30 | 32   | —      | 7   |
| PJTF-40-*†   | 40 | 32   | —      | 7.2 |
| PJTF-50-*†   | 50 | 34   | —      | 9   |
| PJTF-60-*†   | 60 | 39.5 | —      | 8   |
| PJTF-80-*†   | 80 | 40.5 | —      | 9.5 |

\* Cup material

† Thread size