

Vacuum Cups

A

Section A
www.parker.com/pneu/vaccup

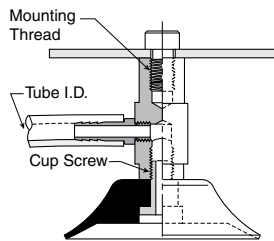


PFYK Series 90° Barbed Adapter

Side stem connectors allow you to secure the stem with a bolt thru a plate or "L" bracket to allow the tube connection from the side port. Fitting material: nickel plated brass.

Installation

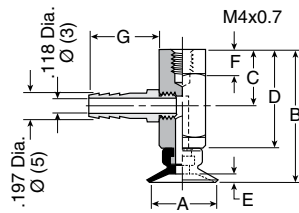
Note:
 When installing cup assemblies, use a sealant material to secure the assembly and prevent vacuum leakage.



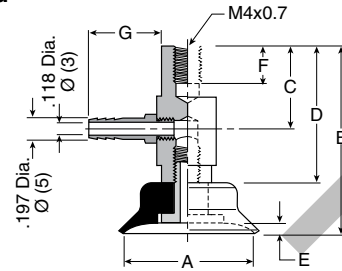
Cup diameter (mm)	Vacuum port	Complete assembly Nitrile (NBR)	Replacement cup Nitrile (NBR)	Complete assembly Silicon (SI)	Replacement cup Silicon (SI)	Replacement cup fitting
5	Barb	PFYK-5A-NBR	PFG-5A-NBR	PFYK-5A-SI	PFG-5A-SI	FYK-5A
6	Barb	PFYK-6A-NBR	PFG-6A-NBR	PFYK-6A-SI	PFG-6A-SI	FYK-5A
8	Barb	PFYK-8A-NBR	PFG-8A-NBR	PFYK-8A-SI	PFG-8A-SI	FYK-5A
10	Barb	PFYK-10A-NBR	PFG-10A-NBR	PFYK-10A-SI	PFG-10A-SI	FYK-5A
15	Barb	PFYK-15-NBR	PFG-15-NBR	PFYK-15-SI	PFG-15-SI	FYK-15
20	Barb	PFYK-20-NBR	PFG-20-NBR	PFYK-20-SI	PFG-20-SI	FYK-20
30	Barb	PFYK-30-NBR	PFG-30-NBR	PFYK-30-SI	PFG-30-SI	FYK-25
40	Barb	PFYK-40-NBR	PFG-40-NBR	PFYK-40-SI	PFG-40-SI	FYK-25
50	Barb	PFYK-50-NBR	PFG-50-NBR	PFYK-50-SI	PFG-50-SI	FYK-50
60	1/8 BSPP	PFYK-60-NBR-G1	PFG-60-NBR	PFYK-60-SI-G1	PFG-60-SI	FYK-60-G1
60	1/8 NPT	PFYK-60-NBR-N1	PFG-60-NBR	PFYK-60-SI-N1	PFG-60-SI	FYK-60-N1
80	1/8 BSPP	PFYK-80-NBR-G1	PFG-80-NBR	PFYK-80-SI-G1	PFG-80-SI	FYK-60-G1
80	1/8 NPT	PFYK-80-NBR-N1	PFG-80-NBR	PFYK-80-SI-N1	PFG-80-SI	FYK-60-N1
95	1/8 BSPP	PFYK-95-NBR-G1	PFG-95-NBR	PFYK-95-SI-G1	PFG-95-SI	FYK-60-G1
95	1/8 NPT	PFYK-95-NBR-N1	PFG-95-NBR	PFYK-95-SI-N1	PFG-95-SI	FYK-60-N1
120	1/8 BSPP	PFYK-120-NBR-G1	PFG-120-NBR	PFYK-120-SI-G1	PFG-120-SI	FYK-120-G1
120	1/8 NPT	PFYK-120-NBR-N1	PFG-120-NBR	PFYK-120-SI-N1	PFG-120-SI	FYK-120-N1
150	1/8 BSPP	PFYK-150-NBR-G1	PFG-150-NBR	PFYK-150-SI-G1	PFG-150-SI	FYK-120-G1
150	1/8 NPT	PFYK-150-NBR-N1	PFG-150-NBR	PFYK-150-SI-N1	PFG-150-SI	FYK-120-N1
200	1/8 BSPP	PFYK-200-NBR-G1	PFG-200-NBR	PFYK-200-SI-G1	PFG-200-SI	FYK-120-G1
200	1/8 NPT	PFYK-200-NBR-N1	PFG-200-NBR	PFYK-200-SI-N1	PFG-200-SI	FYK-120-N1

Dimensions

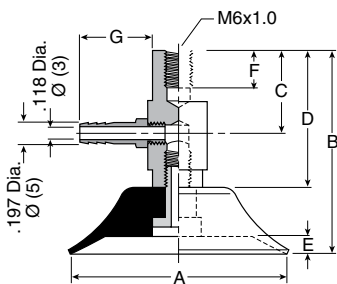
**PFYK-5A thru
 PFYK-10A**



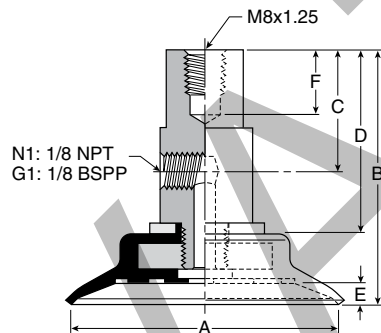
**PFYK-15 thru
 PFYK-20**



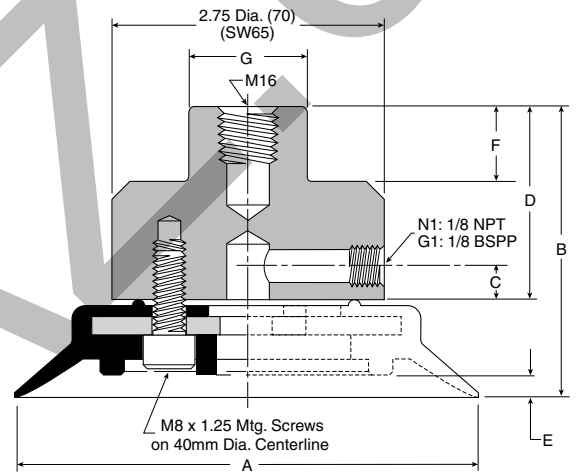
**PFYK-30 thru
 PFYK-50**



**PFYK-60 thru
 PFYK-95**



**PFYK-120 thru
 PFYK-200**



Dimensions (mm)

Model number	ØA	B	C	D	E	F	G	Wt g
PFYK-5A-*	5	29	13	22.5	.8	6	16	16
PFYK-6A-*	6	29	13	22.5	.8	6	16	16
PFYK-8A-*	8	29.5	13	22.5	1.2	6	16	16
PFYK-10A-*	10	30	13	22.5	1.5	6	16	16
PFYK-15-*	15	30	14	22	1.9	6	16	20
PFYK-20-*	20	32	14	22	2.3	6	16	20
PFYK-30-*	30	44	20	32	2	8	16	40
PFYK-40-*	40	46	20	32	3.5	8	16	50
PFYK-50-*	50	47	20	32	4	8	16	55
PFYK-60-*.†	60	58.5	28	40	5	11	—	120
PFYK-80-*.†	80	60.5	28	40	6	11	—	160
PFYK-95-*.†	95	61	28	40	6	11	—	210
PFYK-120-*.†	120	75.5	12	50	6	20	Dia. 30	640
PFYK-150-*.†	150	82.5	12	50	9	20	Dia. 30	910
PFYK-200-*.†	200	87.5	12	50	13	20	Dia. 30	1200

* Cup material
 † Vacuum port