

# Vacuum Cups

A

Section A  
[www.parker.com/pneu/vaccup](http://www.parker.com/pneu/vaccup)

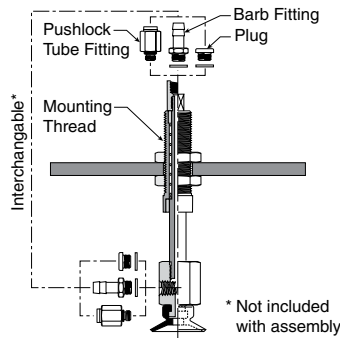


### PFTYS Series Bulkhead Level Compensator

303 stainless steel construction secured with jam nuts. Spring biased compensators can absorb impacts of down-strokes and adjust for different levels of pick up points. 303 stainless corrosion resistant materials with drymet bushings increases the strength and life.

#### Installation

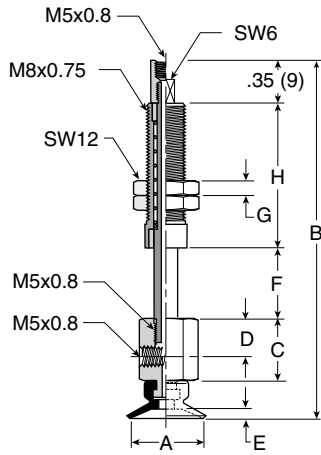
**Note:**  
 When installing cup assemblies, use a sealant material to secure the assembly and prevent vacuum leakage.



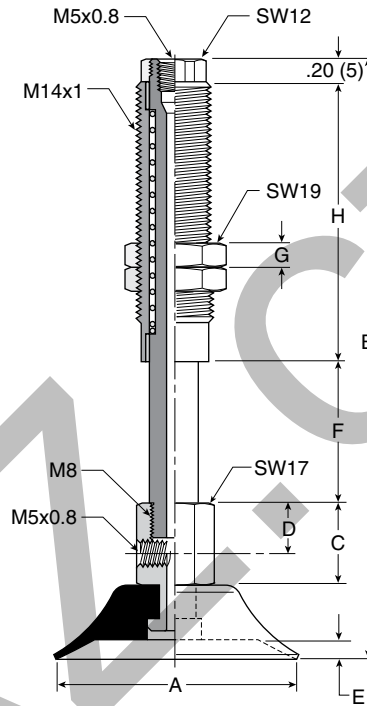
Cup dia. (mm)	Vacuum port	Stroke (mm)	Spring compression Force lbf (N)		Cup material Nitrile assembly (NBR)	Replacement cup Nitrile (NBR)	Cup material Silicon assembly (SI)	Replacement cup Silicon (SI)	Level Compensator P/N
			0%	100%					
5	M5	10	.14 (.61)	.26 (1.17)	PFTYS5A10NBRM5	PFG-5A-NBR	PFTYS5A10SIM5	PFG-5A-SI	FTYS-5A-10-M5
5	M5	15	.15 (.64)	.26 (1.17)	PFTYS5A15NBRM5	PFG-5A-NBR	PFTYS5A15SIM5	PFG-5A-SI	FTYS-5A-15-M5
6	M5	10	.14 (.61)	.26 (1.17)	PFTYS6A10NBRM5	PFG-6A-NBR	PFTYS6A10SIM5	PFG-6A-SI	FTYS-5A-10-M5
6	M5	15	.15 (.64)	.26 (1.17)	PFTYS6A15NBRM5	PFG-6A-NBR	PFTYS6A15SIM5	PFG-6A-SI	FTYS-5A-15-M5
8	M5	10	.14 (.61)	.26 (1.17)	PFTYS8A10NBRM5	PFG-8A-NBR	PFTYS8A10SIM5	PFG-8A-SI	FTYS-5A-10-M5
8	M5	15	.15 (.64)	.26 (1.17)	PFTYS8A15NBRM5	PFG-8A-NBR	PFTYS8A15SIM5	PFG-8A-SI	FTYS-5A-15-M5
10	M5	10	.11 (.49)	.13 (.59)	PFTYS10A10NBRM5	PFG-10A-NBR	PFTYS10A10SIM5	PFG-10A-SI	FTYS-5A-10-M5
10	M5	15	.11 (.49)	.13 (.59)	PFTYS10A15NBRM5	PFG-10A-NBR	PFTYS10A15SIM5	PFG-10A-SI	FTYS-5A-15-M5
15	M5	10	.11 (.49)	.13 (.59)	PFTYS15A10NBRM5	PFG-15A-NBR	PFTYS15A10SIM5	PFG-15A-SI	FTYS-5A-10-M5
15	M5	15	.11 (.49)	.13 (.59)	PFTYS15A15NBRM5	PFG-15A-NBR	PFTYS15A15SIM5	PFG-15A-SI	FTYS-5A-15-M5
20	M5	15	.56 (2.5)	.79 (3.4)	PFTYS20B15NBRM5	PFG-20B-NBR	PFTYS20B15SIM5	PFG-20B-SI	FTYS-20B-15-M5
20	M5	30	.56 (2.5)	1.2 (4.9)	PFTYS20B30NBRM5	PFG-20B-NBR	PFTYS20B30SIM5	PFG-20B-SI	FTYS-20B-30-M5
30	M5	15	.56 (2.5)	.79 (3.4)	PFTYS3015NBRM5	PFG-30-NBR	PFTYS3015SIM5	PFG-30-SI	FTYS-20B-15-M5
30	M5	30	.56 (2.5)	1.2 (4.9)	PFTYS3030NBRM5	PFG-30-NBR	PFTYS3030SIM5	PFG-30-SI	FTYS-20B-30-M5
40	M5	15	.56 (2.5)	.79 (3.4)	PFTYS4015NBRM5	PFG-40-NBR	PFTYS4015SIM5	PFG-40-SI	FTYS-20B-15-M5
40	M5	30	.56 (2.5)	1.2 (4.9)	PFTYS4030NBRM5	PFG-40-NBR	PFTYS4030SIM5	PFG-40-SI	FTYS-20B-30-M5
50	M5	15	.56 (2.5)	1.2 (4.9)	PFTYS5015NBRM5	PFG-50-NBR	PFTYS5015SIM5	PFG-50-SI	FTYS-50-15-M5
50	M5	30	.67 (2.9)	1.4 (5.9)	PFTYS5030NBRM5	PFG-50-NBR	PFTYS5030SIM5	PFG-50-SI	FTYS-50-30-M5
60	1/8 BSPP	30	1.6 (6.8)	3.6 (15.6)	PFTYS6030NBRG1	PFG-60-NBR	PFTYS6030SIG1	PFG-60-SI	FTYS-60-30-G1
60	1/8 BSPP	50	1.9 (8.3)	4.5 (19.6)	PFTYS6050NBRG1	PFG-60-NBR	PFTYS6050SIG1	PFG-60-SI	FTYS-60-50-G1
80	1/8 BSPP	30	1.6 (6.8)	3.6 (15.6)	PFTYS8030NBRG1	PFG-80-NBR	PFTYS8030SIG1	PFG-80-SI	FTYS-60-30-G1
80	1/8 BSPP	50	1.9 (8.3)	4.5 (19.6)	PFTYS8050NBRG1	PFG-80-NBR	PFTYS8050SIG1	PFG-80-SI	FTYS-60-50-G1
95	1/8 BSPP	30	1.6 (6.8)	3.6 (15.6)	PFTYS9530NBRG1	PFG-95-NBR	PFTYS9530SIG1	PFG-95-SI	FTYS-60-30-G1
95	1/8 BSPP	50	1.9 (8.3)	4.5 (19.6)	PFTYS9550NBRG1	PFG-95-NBR	PFTYS9550SIG1	PFG-95-SI	FTYS-60-50-G1
120	1/4 BSPP	20	3.6 (15.6)	6.8 (29)	PFTYS12020NBRG2	PFG-120-NBR	PFTYS12020SIG2	PFG-120-SI	FTYS-120-20-G2
120	1/4 BSPP	50	3.4 (14.7)	6.8 (29)	PFTYS12050NBRG2	PFG-120-NBR	PFTYS12050SIG2	PFG-120-SI	FTYS-120-50-G2
150	1/4 BSPP	20	3.6 (15.6)	6.8 (29)	PFTYS15020NBRG2	PFG-150-NBR	PFTYS15020SIG2	PFG-150-SI	FTYS-120-20-G2
150	1/4 BSPP	50	3.4 (14.7)	6.8 (29)	PFTYS15050NBRG2	PFG-150-NBR	PFTYS15050SIG2	PFG-150-SI	FTYS-120-50-G2
200	1/4 BSPP	20	3.6 (15.6)	6.8 (29)	PFTYS20020NBRG2	PFG-200-NBR	PFTYS20020SIG2	PFG-200-SI	FTYS-120-20-G2
200	1/4 BSPP	50	3.4 (14.7)	6.8 (29)	PFTYS20050NBRG2	PFG-200-NBR	PFTYS20050SIG2	PFG-200-SI	FTYS-120-50-G2

**Dimensions**

**PFTYS5A thru  
PFTYS15A**



**PFTYS20B thru  
PFTYS50**



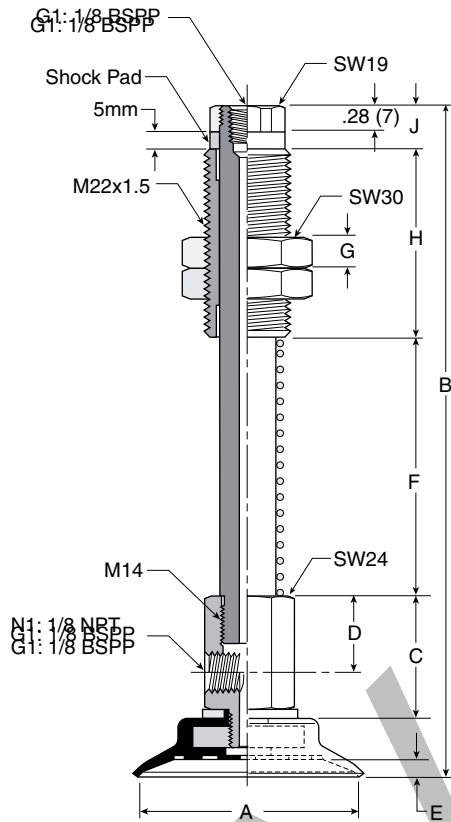
**Dimensions (mm)**

Model number	ØA	B	C	D	E	F	G	H	Wt g
PFTYS5A10 <sup>†</sup>	5	61.5	13	8	.8	10	3	23	18.5
PFTYS5A15 <sup>†</sup>	5	74	13	8	.8	15	3	30.5	21
PFTYS6A10 <sup>†</sup>	6	61.5	13	8	.8	10	3	23	18.5
PFTYS6A15 <sup>†</sup>	6	74	13	8	.8	15	3	30.5	21
PFTYS8A10 <sup>†</sup>	8	62	13	8	1.2	10	3	23	18.5
PFTYS8A15 <sup>†</sup>	8	74.5	13	8	1.2	15	3	30.5	21
PFTYS10A10 <sup>†</sup>	10	63	13	8	1.5	10	3	23	18.5
PFTYS10A15 <sup>†</sup>	10	75	13	8	1.5	15	3	30.5	21
PFTYS15A10 <sup>†</sup>	15	63.5	13	8	2	10	3	23	18.5
PFTYS15A15 <sup>†</sup>	15	75.5	13	8	2	15	3	30.5	21
PFTYS20B15 <sup>†</sup>	20	85.5	17	10	2.3	15	5	36	71
PFTYS20B30 <sup>†</sup>	20	122.5	17	10	2.3	30	5	58	96
PFTYS3015 <sup>†</sup>	30	85	17	10	2	15	5	36	72
PFTYS3030 <sup>†</sup>	30	122	17	10	2	30	5	58	97
PFTYS4015 <sup>†</sup>	40	87	17	10	3.5	15	5	36	76
PFTYS4030 <sup>†</sup>	40	124	17	10	3.5	30	5	58	101
PFTYS5015 <sup>†</sup>	50	88	17	10	4	15	5	36	85
PFTYS5030 <sup>†</sup>	50	125	17	10	4	30	5	58	110

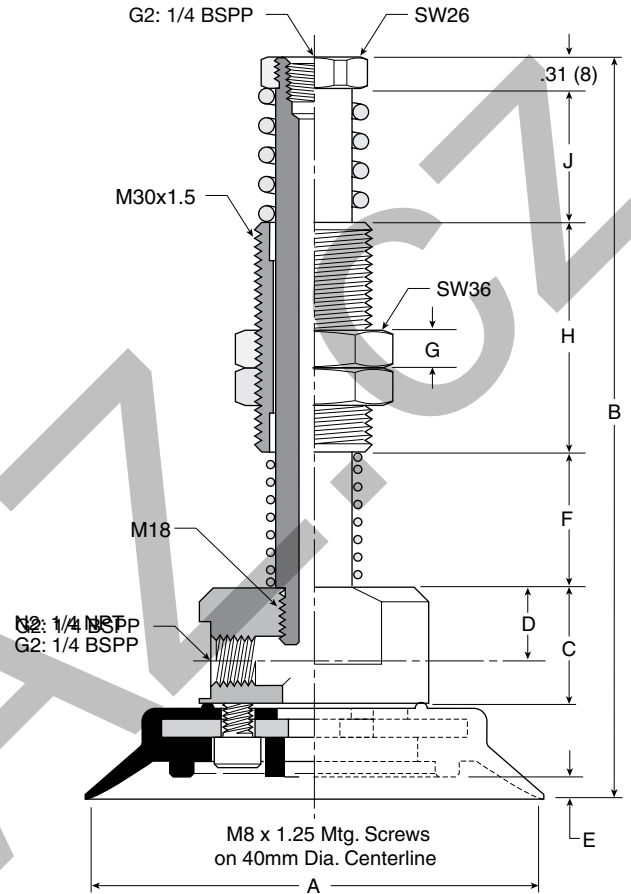
\* Cup material  
† Vacuum port

**Dimensions**

**PFTYS60 thru  
PFTYS95**



**PFTYS120 thru  
PFTYS200**



**Dimensions (mm)**

Model number	ØA	B	C	D	E	F	G	H	J	Wt g
PFTYS6030*†	60	153	32.5	20	5	45	10	50	12	282
PFTYS6050*†	60	178	32.5	20	5	70	10	50	12	316
PFTYS8030*†	80	155	32.5	20	6	45	10	50	12	310
PFTYS8050*†	80	180	32.5	20	6	70	10	50	12	344
PFTYS9530*†	95	156	32.5	20	6	45	10	50	12	350
PFTYS9550*†	95	181	32.5	20	6	70	10	50	12	384
PFTYS12020*†	120	192	32.5	18	6	35	10	60	35	1165
PFTYS12070*†	120	257	32.5	18	6	100	10	60	35	1246
PFTYS15020*†	150	199	32.5	18	9	35	10	60	35	1389
PFTYS15070*†	150	209	32.5	18	9	75	10	60	35	1471
PFTYS20020*†	200	204	32.5	18	13	35	10	60	35	1755
PFTYS20070*†	200	264	32.5	18	13	100	10	60	35	1836

\* Cup material  
† Vacuum port

