

Vacuum Cups

A

Section A
www.parker.com/pneu/vaccup



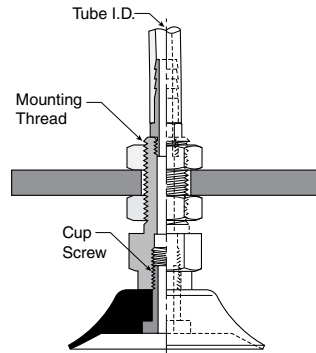
PFTK Series Barbed Bulkhead

Top stem connectors secured with jam nuts and allow tubing connections at the top side. Fitting material: nickel plated brass.

Installation

Note:

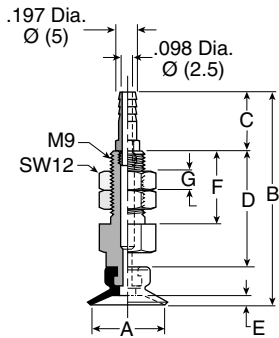
When installing cup assemblies, use a sealant material to secure the assembly and prevent vacuum leakage.



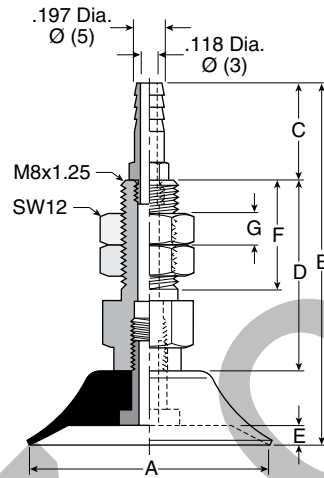
Cup diameter (mm)	Vacuum port	Complete assembly Nitrile (NBR)	Replacement cup Nitrile (NBR)	Complete assembly Silicon (SI)	Replacement cup Silicon (SI)	Replacement cup fitting
5	Barb	PFTK-5A-NBR	PFG-5A-NBR	PFTK-5A-SI	PFG-5A-SI	FTK-5A
6	Barb	PFTK-6A-NBR	PFG-6A-NBR	PFTK-6A-SI	PFG-6A-SI	FTK-5A
8	Barb	PFTK-8A-NBR	PFG-8A-NBR	PFTK-8A-SI	PFG-8A-SI	FTK-5A
10	Barb	PFTK-10A-NBR	PFG-10A-NBR	PFTK-10A-SI	PFG-10A-SI	FTK-5A
15	Barb	PFTK-15-NBR	PFG-15-NBR	PFTK-15-SI	PFG-15-SI	FTK-15
20	Barb	PFTK-20-NBR	PFG-20-NBR	PFTK-20-SI	PFG-20-SI	FTK-20
30	Barb	PFTK-30-NBR	PFG-30-NBR	PFTK-30-SI	PFG-30-SI	FTK-25
40	Barb	PFTK-40-NBR	PFG-40-NBR	PFTK-40-SI	PFG-40-SI	FTK-25
50	Barb	PFTK-50-NBR	PFG-50-NBR	PFTK-50-SI	PFG-50-SI	FTK-50
60	1/8 BSPP	PFTK-60-NBR-G1	PFG-60-NBR	PFTK-60-SI-G1	PFG-60-SI	FTK-60-G1
60	1/8 NPT	PFTK-60-NBR-N1	PFG-60-NBR	PFTK-60-SI-N1	PFG-60-SI	FTK-60-N1
80	1/8 BSPP	PFTK-80-NBR-G1	PFG-80-NBR	PFTK-80-SI-G1	PFG-80-SI	FTK-60-G1
80	1/8 NPT	PFTK-80-NBR-N1	PFG-80-NBR	PFTK-80-SI-N1	PFG-80-SI	FTK-60-N1
95	1/8 BSPP	PFTK-95-NBR-G1	PFG-95-NBR	PFTK-95-SI-G1	PFG-95-SI	FTK-60-G1
95	1/8 NPT	PFTK-95-NBR-N1	PFG-95-NBR	PFTK-95-SI-N1	PFG-95-SI	FTK-60-N1

Dimensions

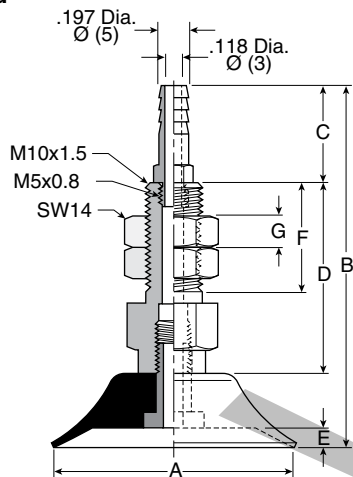
**PFTK-5A thru
PFTK-10A**



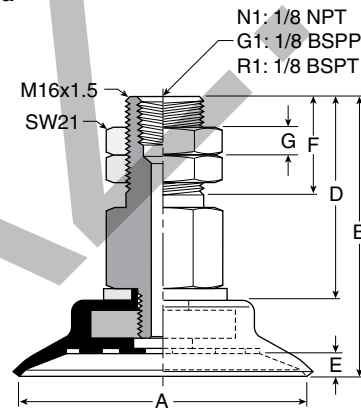
**PFTK-15 thru
PFTK-20**



**PFTK-30 thru
PFTK-50**



**PFTK-60 thru
PFTK-95**



Dimensions (mm)

Model number	ØA	B	C	D	E	F	G	Wt g
PFTK-5A-*	5	30.5	10	14	.8	15.5	3	11
PFTK-6A-*	6	30.5	10	14	.8	15.5	3	11
PFTK-8A-*	8	31	10	14	1.2	15.5	3	11
PFTK-10A-*	10	46	16	22.5	1.5	15.5	3	15
PFTK-15-*	15	46	16	22	1.9	15	3	20
PFTK-20-*	20	48	16	22	2.3	15	5	20
PFTK-30-*	30	60	16	32	2	20	5	40
PFTK-40-*	40	62	16	32	3.5	20	5	40
PFTK-50-*	50	63	16	32	4	20	5	50
PFTK-60-*.†	60	58.5	—	42.5	5	20	6	130
PFTK-80-*.†	80	60.5	—	42.5	6	20	6	170
PFTK-95-*.†	95	61	—	42.5	6	20	6	220

* Cup material
† Vacuum port