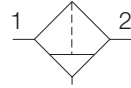


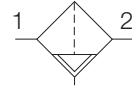
PF504 Filter – Miniature



Symbols



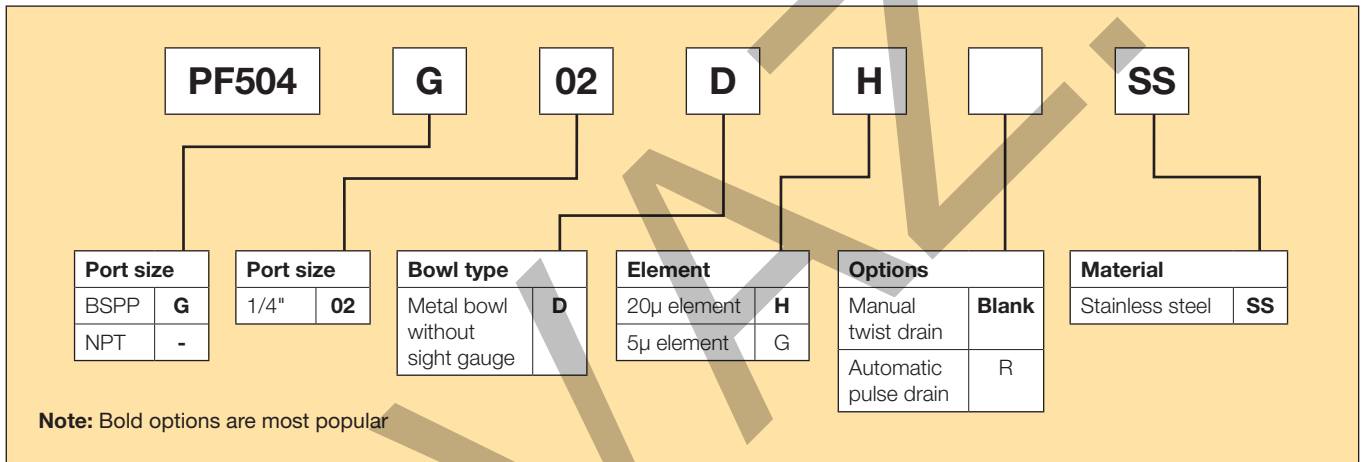
Manual drain



Auto drain

- Stainless steel construction handles most corrosive environments
- Fluorocarbon seals standard
- Meets NACE specifications MR-01-75/ISO 15156
- High flow: 1/4" - 10.85 dm³/s[§]
- 1/8" female threaded drain

Options:



Port size	Description	Order code	Max bar	Height mm	Width mm	Depth mm
G1/4	BSPP Manual twist drain	PF504G02DHSS	20.7	102	40	40
G1/4	NPT Manual twist drain	PF504-02DHSS	20.7	102	40	40
G1/4	BSPP Automatic pulse drain	PF504G02DHRSS	12.0	102	40	40
G1/4	NPT Automatic pulse drain	PF504-02DHRSS	12.0	102	40	40

[§] dm³/s = Flow at 6.2 bar and a 0.3 bar pressure drop

Specifications

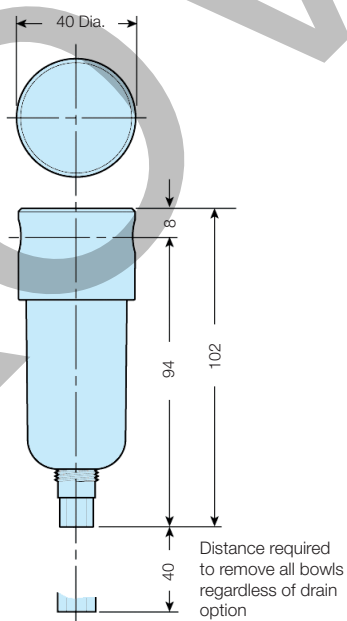
Bowl capacity		29 cm ³
Filter rating		20 micron
Sump capacity		12 cm ³
Port threads		G1/4
Operating temperature	Manual twist drain	-18°C to 82°C
	Automatic pulse drain	0°C to 66°C
Max supply pressure	Manual twist drain	0 to 20.7 bar
	Automatic pulse drain	0 to 12 bar
Weight		274 g

Note: Air must be dry enough to avoid ice formation at temperatures below 2°C.

Materials of Construction

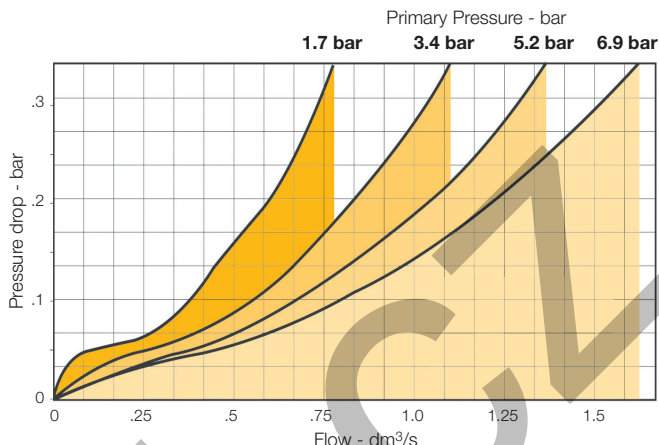
Body	316 Stainless steel
Bowl	316 Stainless steel
Deflector	Acetal
Drain	316 Stainless steel
Element holder	Acetal
Filter element	Polyethylene
Seals	Flourocarbon

Dimensions (mm)



Flow Charts

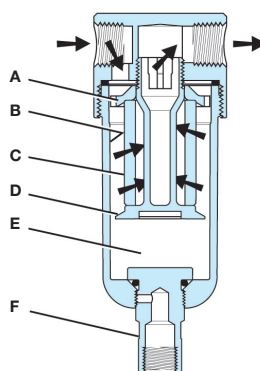
**Flow Characteristics - 1/4 Inch Ports
PF504-02DHSS**



Accessories

Filter element kits	Particulate (5 micron)	EK504VY
	Particulate (20 micron)	EK504Y
Drain kits	Automatic pulse drain	RK504SY-SS
Manual twist drain	Small (Old)	SA600Y7-1SS
	Large (New)	SAP05481
Pipe nipple	1/4" NPT 316 Stainless Steel	616Y28-SS
	1/4" BSPT 316 Stainless Steel	AC-2SS

Operation



First Stage Filtration:

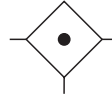
Air enters at inlet port and flows through deflector plate (A) which causes a swirling action. Liquids and coarse particles are forced to the bowl interior wall (B) by the centrifugal action of the swirling air. They are then carried down the bowl wall by the force of gravity. The baffle (D) separates the lower portion of the bowl into a "quiet zone" (E) where the removed liquid and particles collect, unaffected by the swirling air, and are therefore not reentrained into the flowing air.

Second Stage Filtration:

After liquids and large particles are removed in the first stages of filtration, the air flows through element (C) where smaller particles are filtered out. The filtered air then passes downstream. Collected liquids and particles in the "quiet zone" (E) should be drained before their level reaches a height where they would be reentrained in the flowing air. This can be accomplished by unscrewing the drain valve (F) slightly until the liquid begins to drain.

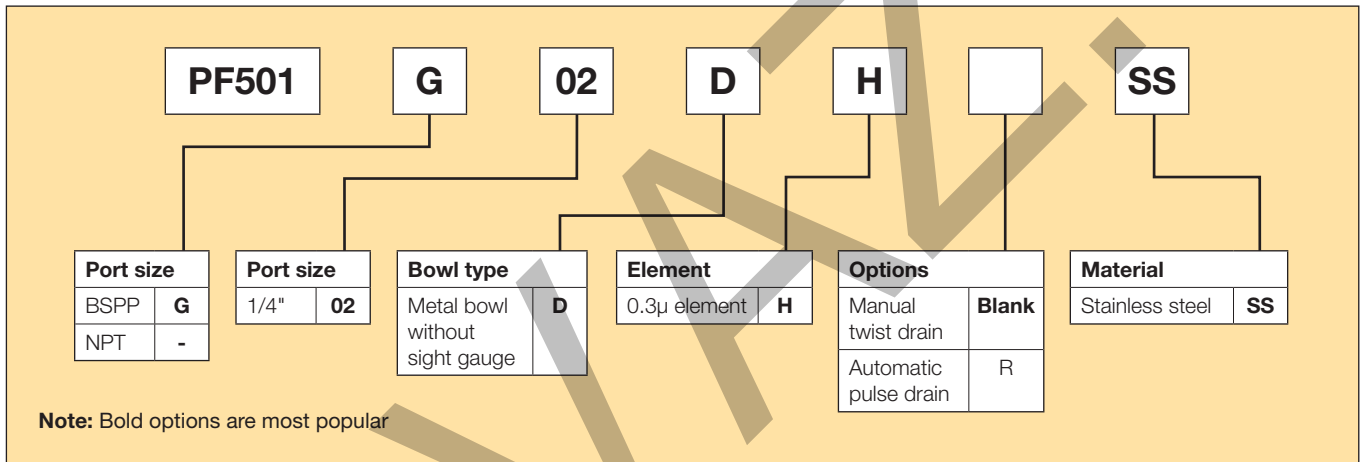
PF501 Coalescing Filter – Miniature

Symbol



- Stainless steel construction handles most corrosive environments
- Meets NACE specifications MR-01-75/ISO 15156
- High flow: 1/4" - 755 dm³/s[§]
- 1/8" female threaded drain

Options:



Port size	Description	Order code	Max bar	Height mm	Width mm	Depth mm
G1/4	BSPP Manual twist drain	PF501G02DHSS	20.7	102	40	40
G1/4	NPT Manual twist drain	PF501-02DHSS	20.7	102	40	40
G1/4	BSPP Automatic pulse drain	PF501G02DHRSS	12.0	102	40	40
G1/4	NPT Automatic pulse drain	PF501-02DHRSS	12.0	102	40	40

[§] dm³/s = Flow at 6.2 bar and a 0.3 bar pressure drop

Specifications

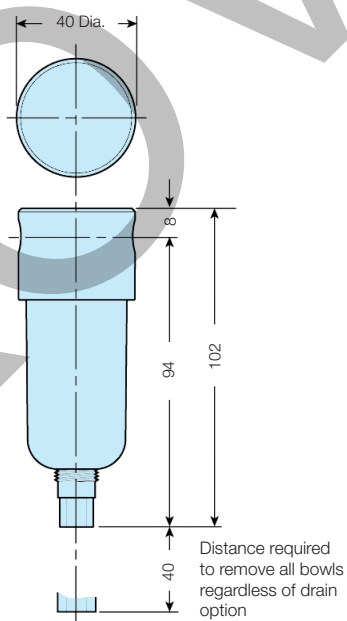
Bowl capacity		29 cm ³
Filter rating		0.3 micron
Sump capacity		12 cm ³
Port threads		G1/4
Operating temperature	Manual twist drain	-18°C to 82°C
	Automatic pulse drain	0°C to 66°C
Max supply pressure	Manual twist drain	0 to 20.7 bar
	Automatic pulse drain	0 to 12 bar
Weight		275 g

Note: Air must be dry enough to avoid ice formation at temperatures below 2°C.

Materials of Construction

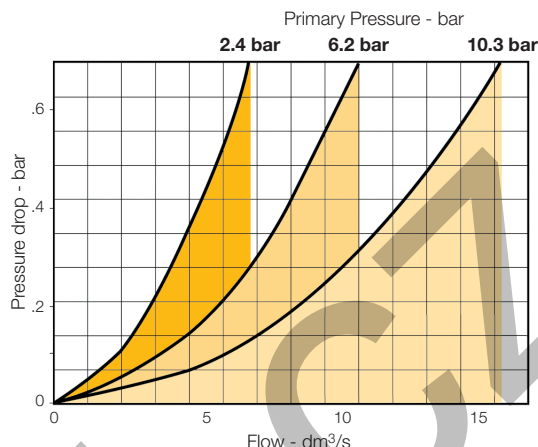
Body		316 Stainless steel
Bowl		316 Stainless steel
Drain		316 Stainless steel
Element holder		Acetal
Filter element		Borosilicate Fiber
Seals		Flouorcarbon

Dimensions (mm)



Flow Charts

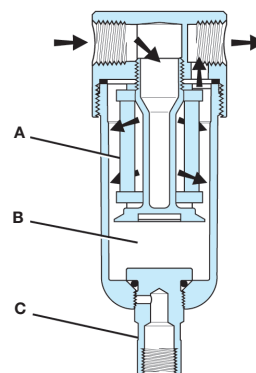
**Flow Characteristics - 1/4 Inch Ports
PF501-02DHSS**



Accessories

Filter element kits	0.3 micron	EKF501H
Drain kits	Automatic pulse drain	RK504SY-SS
Manual twist drain	Small (Old)	SA600Y7-1SS
	Large (New)	SAP05481
Pipe nipple	1/4" NPT 316 Stainless Steel	616Y28-SS
	1/4" BSPT 316 Stainless Steel	AC-2SS

Operation



The contaminated air enters the element interior and is forced through a thick membrane (A) of "borosilicate" glass fibers coated with epoxy. Flow then passes through the element, and at this stage 99.97% of the sub micronic particles have been removed from the air stream. The tiny droplets coalesce together and are collected from the filter element by the outer drain layer.

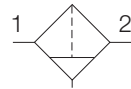
The clean, filtered air now passes through and out into the pneumatic system. The air line coalescing filter removes liquid aerosols and sub-micron particulate matter.

Collected liquids and particles in the "quiet zone" (B) should be drained before their level reaches a height where they would be reentrained in the flowing air. This can be accomplished by unscrewing the drain valve (C) slightly until the liquid begins to drain.

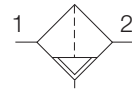
PF10 Filter – Standard



Symbols



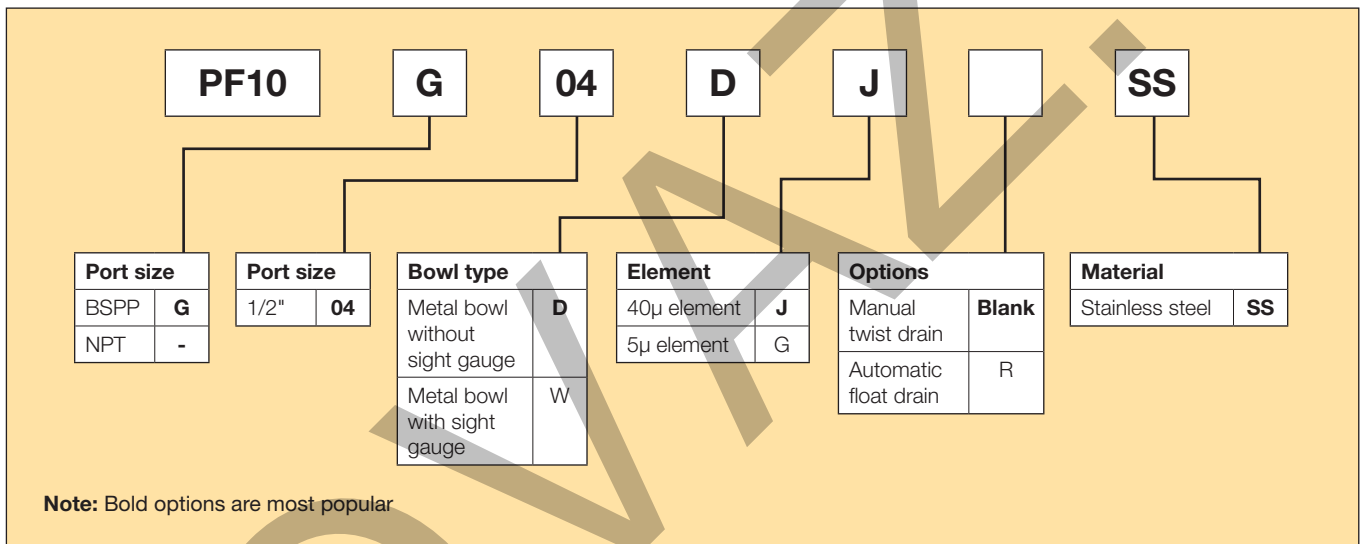
Manual drain



Auto drain

- Stainless steel construction handles most corrosive environments
- Meets NACE specifications MR-01-75/ISO 15166
- High flow: 1/2" - 34 dm³/s[§]
- 1/8" female threaded drain

Options:



Port size	Description	Order code	Max bar	Height mm	Width mm	Depth mm
G1/2	BSPP Manual twist drain - Metal bowl - Without sight gauge	PF10G04DJSS	20.7	141	64	60
G1/2	NPT Manual twist drain - Metal bowl - Without sight gauge	PF10-04DJSS	20.7	141	64	60
G1/2	BSPP Manual twist drain - Metal bowl - With sight gauge	PF10G04WJSS	17.2	141	64	60
G1/2	NPT Manual twist drain - Metal bowl - With sight gauge	PF10-04WJSS	17.2	141	64	60
G1/2	BSPP Automatic pulse drain - Metal bowl - Without sight gauge	PF10G04DJRSS	12.0	141	64	60
G1/2	NPT Automatic pulse drain - Metal bowl - Without sight gauge	PF10-04DJRSS	12.0	141	64	60
G1/2	BSPP Automatic pulse drain - Metal bowl - With sight gauge	PF10G04WJRSS	12.0	141	64	60
G1/2	NPT Automatic pulse drain - Metal bowl - With sight gauge	PF10-04WJRSS	12.0	141	64	60

[§] dm³/s = Flow at 6.2 bar and a 0.3 bar pressure drop

Specifications

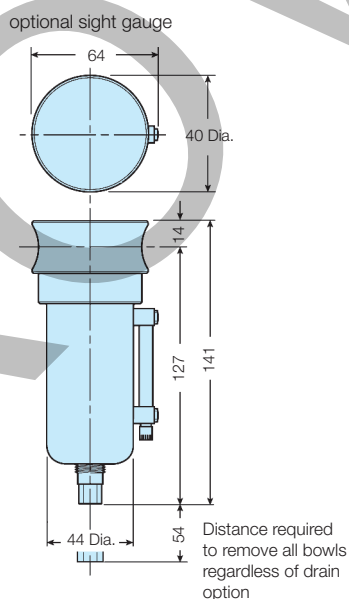
Bowl capacity	118 cm ³	
Filter rating	40 micron	
Sump capacity	50 cm ³	
Port threads	G1/2	
Operating temperature	Manual twist drain (D)	-18°C to 82°C
	Manual twist drain (W)	-18°C to 66°C
	Automatic pulse drain	0°C to 66°C
Max supply pressure	Manual twist drain (D)	0 to 20.7 bar
	Manual twist drain (W)	0 to 17.2 bar
	Automatic pulse drain	0 to 12 bar
Weight	850 g	

Note: Air must be dry enough to avoid ice formation at temperatures below 2°C.

Materials of Construction

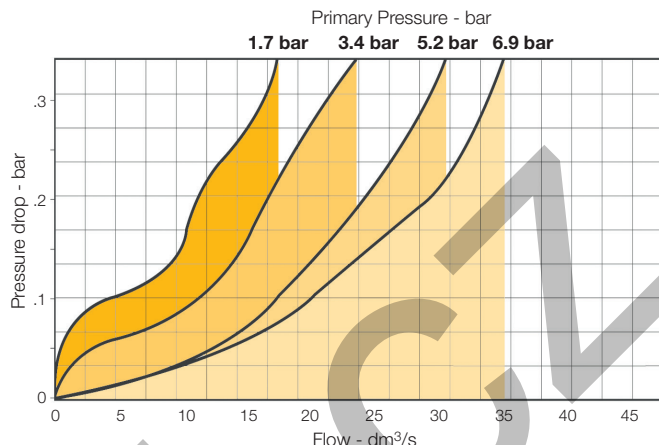
Body	316 Stainless steel
Bowl	316 Stainless steel
Deflector	Acetal
Drain	316 Stainless steel
Element holder	Acetal
Filter element	Polyethylene
Seals	Fluorocarbon
Sight gauge	Isoplast

Dimensions (mm)



Flow Charts

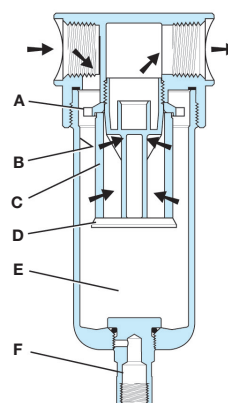
**Flow Characteristics - 1/2 Inch Ports
PF10-04DJSS**



Accessories

Filter element kits	Particulate (40 micron)	EK55J
	Particulate (5 micron)	EK55G
Drain kits	Automatic float drain	SA10MDSS
Manual twist drain	Small (Old)	SA600Y7-1SS
	Large (New)	SAP05481
Pipe nipple	1/2" NPT 316 Stainless Steel	616A28-SS
	1/2" BSPT 316 Stainless Steel	AC-4SS

Operation



First Stage Filtration:

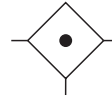
Air enters at inlet port and flows through deflector plate (A) which causes a swirling action. Liquids and coarse particles are forced to the bowl interior wall (B) by the centrifugal action of the swirling air. They are then carried down the bowl wall by the force of gravity. The baffle (D) separates the lower portion of the bowl into a "quiet zone" (E) where the removed liquid and particles collect, unaffected by the swirling air, and are therefore not reentrained into the flowing air.

Second Stage Filtration:

After liquids and large particles are removed in the first stages of filtration, the air flows through element (C) where smaller particles are filtered out. The filtered air then passes downstream. Collected liquids and particles in the "quiet zone" (E) should be drained before their level reaches a height where they would be reentrained in the flowing air. This can be accomplished by unscrewing the drain valve (F) slightly until the liquid begins to drain.

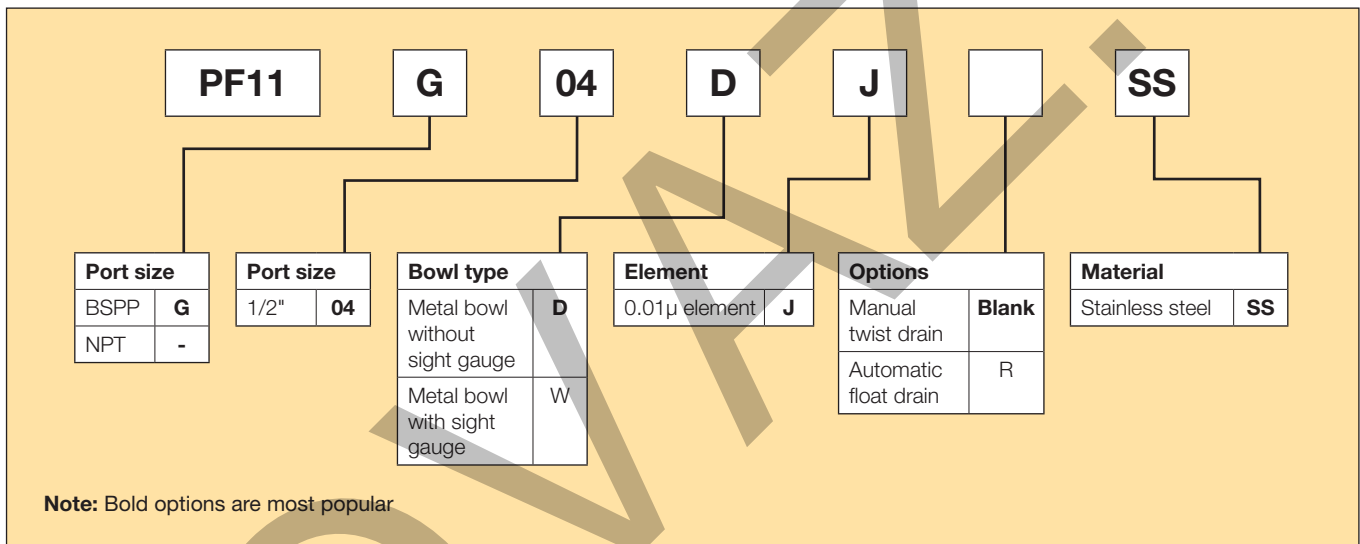
PF11 Coalescing Filter – Standard

Symbols



- Stainless steel construction handles most corrosive environments
- Meets NACE specifications MR-01-75/ISO 15156
- High flow: 1/2" - 21 dm³/s[§]
- 1/8" female threaded drain
- High efficiency 0.01µm filtration
- Removes liquid aerosols and sub micron particles

Options:



Port size	Description	Order code	Max bar	Height mm	Width mm	Depth mm
G1/2	BSPP Manual twist drain - Metal bowl - Without sight gauge	PF11G04DJSS	20.7	141	64	60
G1/2	NPT Manual twist drain - Metal bowl - Without sight gauge	PF11-04DJSS	20.7	141	64	60
G1/2	BSPP Manual twist drain - Metal bowl - With sight gauge	PF11G04WJSS	17.2	141	64	60
G1/2	NPT Manual twist drain - Metal bowl - With sight gauge	PF11-04WJSS	17.2	141	64	60
G1/2	BSPP Automatic pulse drain - Metal bowl - Without sight gauge	PF11G04DJRSS	12.0	141	64	60
G1/2	NPT Automatic pulse drain - Metal bowl - Without sight gauge	PF11-04DJRSS	12.0	141	64	60
G1/2	BSPP Automatic pulse drain - Metal bowl - With sight gauge	PF11G04WJRSS	12.0	141	64	60
G1/2	NPT Automatic pulse drain - Metal bowl - With sight gauge	PF11-04WJRSS	12.0	141	64	60

[§] dm³/s = Flow at 6.2 bar and a 0.3 bar pressure drop

Specifications

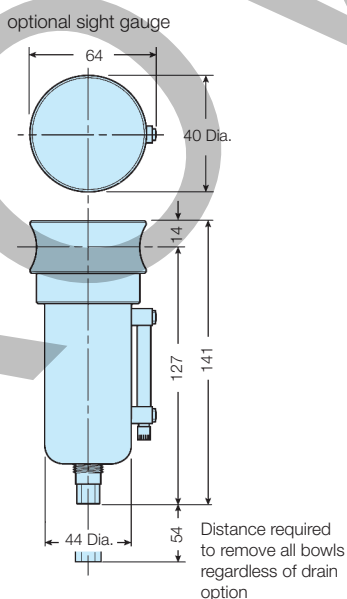
Bowl capacity	118 cm ³	
Filter rating	0.01 micron	
Sump capacity	50 cm ³	
Port threads	G1/2	
Operating temperature	Manual twist drain (D)	-18°C to 82°C
	Manual twist drain (W)	-18°C to 66°C
	Automatic pulse drain	0°C to 66°C
Max supply pressure	Manual twist drain (D)	0 to 20.7 bar
	Manual twist drain (W)	0 to 17.2 bar
	Automatic pulse drain	0 to 12 bar
Weight	850 g	

Note: Air must be dry enough to avoid ice formation at temperatures below 2°C.

Materials of Construction

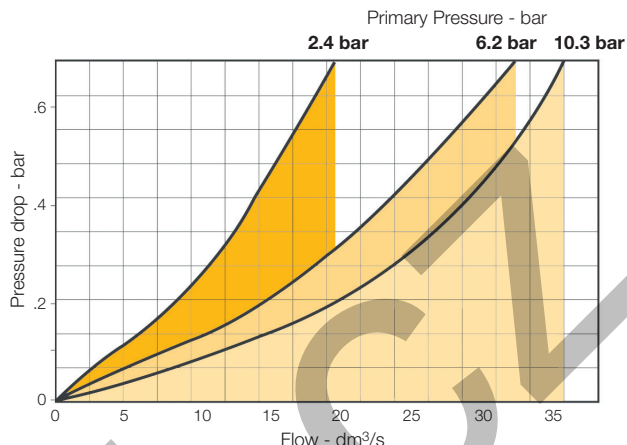
Body	316 Stainless steel	
Bowl	316 Stainless steel	
Drain	316 Stainless steel	
Element holder	Acetal	
Filter element	Borosilicate Fiber	
Seals	Flourocarbon	
Sight gauge	Isoplast	

Dimensions (mm)



Flow Charts

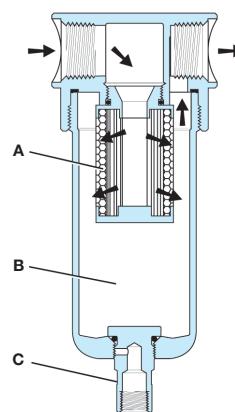
**Flow Characteristics - 1/2 Inch Ports
PF11-04DJSS**



Accessories

Filter element kits	Particulate (0.01 micron)	EKF71
Drain kits	Automatic float drain	SA10MDSS
Manual twist drain	Small (Old)	SA600Y7-1SS
	Large (New)	SAP05481
Pipe nipple	1/2" NPT 316 Stainless Steel	616A28-SS
	1/2" BSPT 316 Stainless Steel	AC-4SS

Operation



The contaminated air enters the element interior and is forced through a thick membrane (A) of "borosilicate" glass fibers coated with epoxy. Flow then passes through the element, and at this stage 99.97% of the sub micronic particles have been removed from the air stream. The tiny droplets coalesce together and are collected from the filter element by the outer drain layer.

The clean, filtered air now passes through and out into the pneumatic system. The air line coalescing filter removes liquid aerosols and sub-micron particulate matter.

Collected liquids and particles in the "quiet zone" (B) should be drained before their level reaches a height where they would be reentrained in the flowing air. This can be accomplished by unscrewing the drain valve (C) slightly until the liquid begins to drain.