

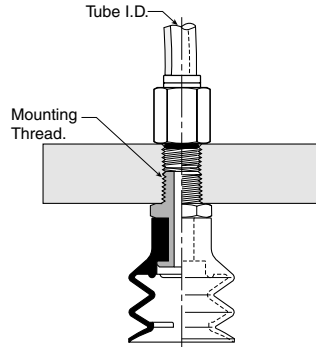
PCTM Series Male Thread Connector

Simple male connection for low profile positions secured to a plate or bracket. BSPP, NPT, metric threads.
 Fitting material: aluminum.

Installation

Note:

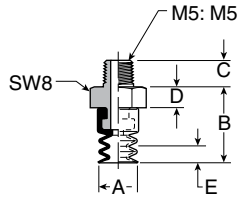
When installing cup assemblies, use a sealant material to secure the assembly and prevent vacuum leakage.



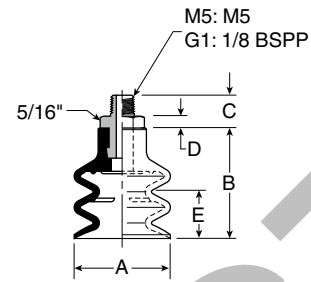
Cup diameter (mm)	Vacuum port	Complete assembly Nitrile (NBR)	Replacement cup Nitrile (NBR)	Complete assembly Silicon (SI)	Replacement cup Silicon (SI)	Replacement cup fitting
5	M5	PCTM-5-NBR-M5	PCG-5-NBR	PCTM-5-SI-M5	PCG-5-SI	FTM-5A-M5
7	M5	PCTM-7-NBR-M5	PCG-7-NBR	PCTM-7-SI-M5	PCG-7-SI	FTM-5A-M5
10	M5	PCTM-10-NBR-M5	PCG-10-NBR	PCTM-10-SI-M5	PCG-10-SI	CTM-10-M5
10	1/8 BSPP	PCTM-10-NBR-G1	PCG-10-NBR	PCTM-10-SI-G1	PCG-10-SI	CTM-10-G1
15	M5	PCTM-15-NBR-M5	PCG-15-NBR	PCTM-15-SI-M5	PCG-15-SI	CTM-10-M5
15	1/8 BSPP	PCTM-15-NBR-G1	PCG-15-NBR	PCTM-15-SI-G1	PCG-15-SI	CTM-10-G1
20	M5	PCTM-20-NBR-M5	PCG-20-NBR	PCTM-20-SI-M5	PCG-20-SI	CTM-10-M5
20	1/8 BSPP	PCTM-20-NBR-G1	PCG-20-NBR	PCTM-20-SI-G1	PCG-20-SI	CTM-10-G1
30	1/8 BSPP	PCTM-30-NBR-G1	PCG-30-NBR	PCTM-30-SI-G1	PCG-30-SI	CTM-30-G1
30	1/4 BSPP	PCTM-30-NBR-G2	PCG-30-NBR	PCTM-30-SI-G2	PCG-30-SI	CTM-30-G2
30	1/8 NPT	PCTM-30-NBR-N1	PCG-30-NBR	PCTM-30-SI-N1	PCG-30-SI	CTM-30-N1
40	1/8 BSPP	PCTM-40-NBR-G1	PCG-40-NBR	PCTM-40-SI-G1	PCG-40-SI	CTM-30-G1
40	1/4 BSPP	PCTM-40-NBR-G2	PCG-40-NBR	PCTM-40-SI-G2	PCG-40-SI	CTM-30-G2
40	1/8 NPT	PCTM-40-NBR-N1	PCG-40-NBR	PCTM-40-SI-N1	PCG-40-SI	CTM-30-N1
60	1/8 BSPP	PCTM-60-NBR-G1	PCG-60-NBR	PCTM-60-SI-G1	PCG-60-SI	CTM-30-G1
60	1/8 NPT	PCTM-60-NBR-N1	PCG-60-NBR	PCTM-60-SI-N1	PCG-60-SI	CTM-30-N1
90	1/4 BSPP	PCTM-90-NBR-G2	PCG-90-NBR	PCTM-90-SI-G2	PCG-90-SI	CTM-90-G2
90	1/4 NPT	PCTM-90-NBR-N2	PCG-90-NBR	PCTM-90-SI-N2	PCG-90-SI	CTM-90-N2

Dimensions

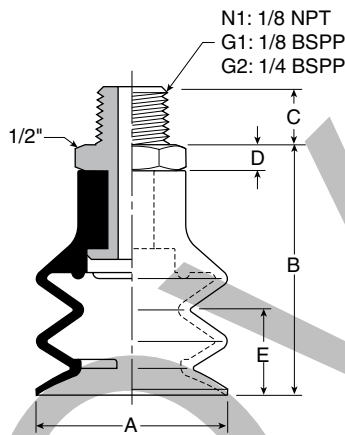
**PCTM-5 and
PCTM-7**



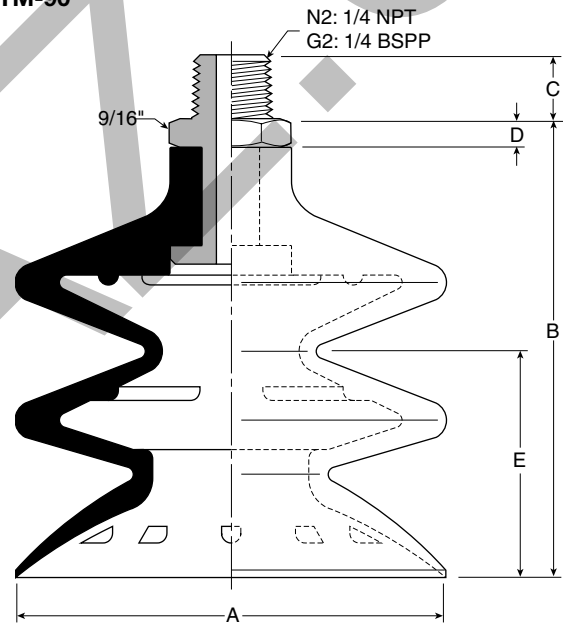
**PCTM-10 thru
PCTM-20**



**PCTM-30 thru
PCTM-60**



PCTM-90



Dimensions (mm)

Model number	ØA	B	C (M5)	C (N1 / G1)	C M10 / G2)	C (N2)	D	E
PCTM-5-*†	5	13	4.5	—	—	—	3.5	3
PCTM-7-*†	7	13.5	4.5	—	—	—	3.5	3
PCTM-10-*†	9	17.5	4.5	8	—	—	2.5	3
PCTM-15-*†	15.2	25.5	4.5	8	—	—	2.5	10
PCTM-20-*†	20	25.5	4.5	8	—	—	2.5	10
PCTM-30-*†	32	42.5	—	8	10	—	5	14.5
PCTM-40-*†	42	51	—	8	10	—	5	22
PCTM-60-*†	62	60	—	8	10	—	5	27
PCTM-90-*†	88	92.5	—	—	10	15	5	42

* Cup material
† Thread size

