

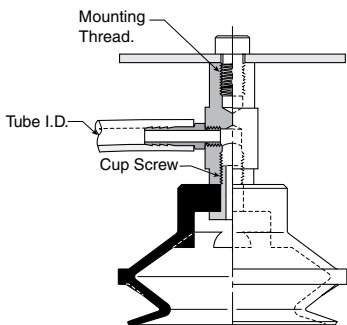
PBYK Series 90° Barbed Adapter

Side stem connectors allow you to secure the stem with a bolt through a plate or "L" bracket to allow the tube connection from the side port. Fitting material: nickel plated brass.

Installation

Note:

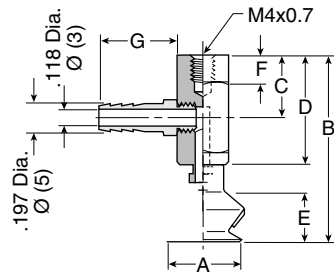
When installing cup assemblies, use a sealant material to secure the assembly and prevent vacuum leakage.



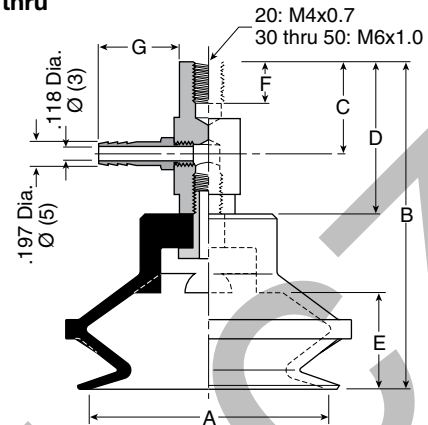
Cup diameter (mm)	Vacuum port	Complete assembly Nitrile (NBR)	Replacement cup Nitrile (NBR)	Complete assembly Silicon (SI)	Replacement cup Silicon (SI)	Replacement cup fitting
10	Barb	PBYK-10A-NBR	PBG-10A-NBR	PBYK-10A-SI	PBG-10A-SI	FYK-5A
15	Barb	PBYK-15A-NBR	PBG-15A-NBR	PBYK-15A-SI	PBG-15A-SI	FYK-15
20	Barb	PBYK-20-NBR	PBG-20-NBR	PBYK-20-SI	PBG-20-SI	FYK-20
30	Barb	PBYK-30-NBR	PBG-30-NBR	PBYK-30-SI	PBG-30-SI	FYK-25
40	Barb	PBYK-40-NBR	PBG-40-NBR	PBYK-40-SI	PBG-40-SI	FYK-25
50	Barb	PBYK-50-NBR	PBG-50-NBR	PBYK-50-SI	PBG-50-SI	FYK-50
75	1/8 BSPP	PBYK-75-NBR-G1	PBG-75-NBR	PBYK-75-SI-G1	PBG-75-SI	FYK-60-G1
75	1/8 NPT	PBYK-75-NBR-N1	PBG-75-NBR	PBYK-75-SI-N1	PBG-75-SI	FYK-60-N1
110	1/8 BSPP	PBYK-110-NBR-G1	PBG-110-NBR	PBYK-110-SI-G1	PBG-110-SI	FYK-120-G1
110	1/8 NPT	PBYK-110-NBR-N1	PBG-110-NBR	PBYK-110-SI-N1	PBG-110-SI	FYK-120-N1
150	1/8 BSPP	PBYK-150-NBR-G1	PBG-150-NBR	PBYK-150-SI-G1	PBG-150-SI	FYK-120-G1
150	1/8 NPT	PBYK-150-NBR-N1	PBG-150-NBR	PBYK-150-SI-N1	PBG-150-SI	FYK-120-N1

Dimensions

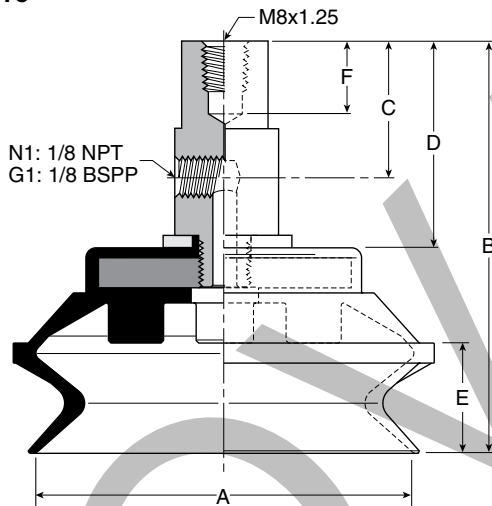
PBYK-10A thru
PBYK-15A



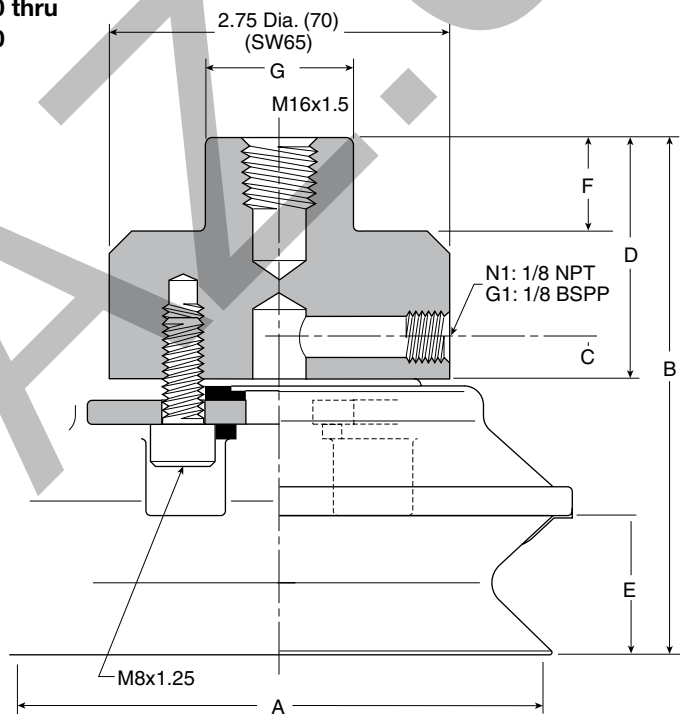
PBYK-20 thru
PBYK-50



PBYK-75



PBYK-110 thru
PBYK-150



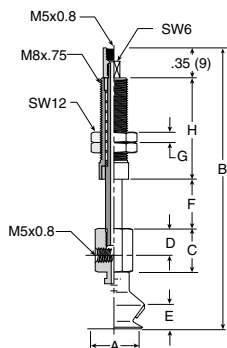
Dimensions (mm)

Model number	ØA	B	C	D	E	F	G	Wt g
PBYK-10A-*	10	36	13	22.5	7.5	6	16	16
PBYK-15A-*	15	38.5	13	22.5	10	6	16	16
PBYK-20-*	20	41.5	14	22	12	6	16	21
PBYK-30-*	30	62.5	20	32	17	6	16	45
PBYK-40-*	40	62.5	20	32	15.5	6	16	58
PBYK-50-*	50	68.5	20	32	20	6	16	67
PBYK-75-*.†	95	83.5	28	42.5	22	11	—	176
PBYK-110-*.†	120	106	12	50	29	20	Dia. 30	670
PBYK-150-*.†	150	125	12	50	38	20	Dia. 30	1180

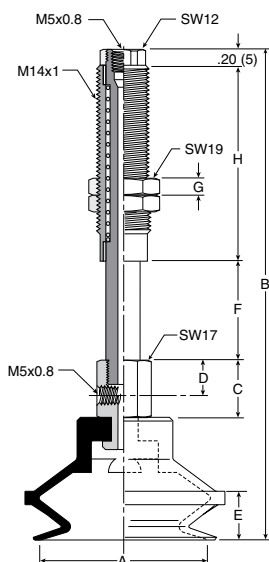
* Cup material
† Vacuum port

Dimensions

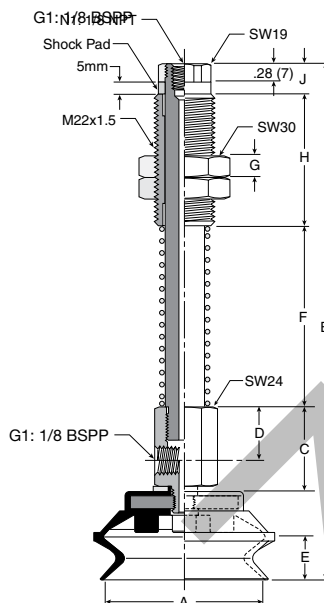
**PBTYS10A thru
PBTYS15A1**



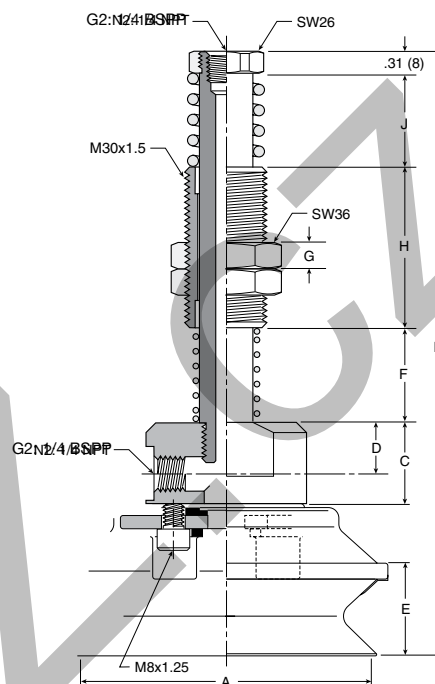
**PBTYS20B thru
PBTYS50**



PBTYS75



**PBTYS110 thru
PBTYS150**



Dimensions (mm)

Model number	ØA	B	C	D	E	F	G	H	J	Wt g
PBTYS10A10*	10	68.5	13	8	7.5	10	3	23	—	18.5
PBTYS10A15*	10	81	13	8	7.5	15	3	30.5	—	21
PBTYS15A10*	15	71	13	8	10	10	3	23	—	18.5
PBTYS15A15*	15	83.5	13	8	10	15	3	30.5	—	21
PBTYS20B15*	20	99	17	10	12	15	5	36	—	72
PBTYS20B30*	20	136	17	10	12	30	5	58	—	97
PBTYS3015*†	30	103.5	17	10	17	15	5	36	—	97
PBTYS3030*†	30	140.5	17	10	17	30	5	58	—	102
PBTYS4015*†	40	103.5	17	10	15.5	15	5	36	—	83
PBTYS4030*†	40	140.5	17	10	15.5	30	5	58	—	108
PBTYS5015*†	50	109.5	17	10	20	15	5	36	—	97
PBTYS5030*†	50	146.5	17	10	20	30	5	58	—	122
PBTYS7530*†	75	178	32.5	20	22	45	10	50	12	339
PBTYS7550*†	75	203	32.5	20	22	70	10	50	12	373
PBTYS11020*†	110	224	30	18	29	35	10	60	35	1194
PBTYS11070*†	110	289	30	18	29	100	10	60	35	1276
PBTYS15020*†	150	243	30	18	38	35	10	60	35	1704
PBTYS15070*†	150	308	30	18	38	100	10	60	35	1786

* Cup material
† Vacuum port