

PBTF Series Female Thread Connector

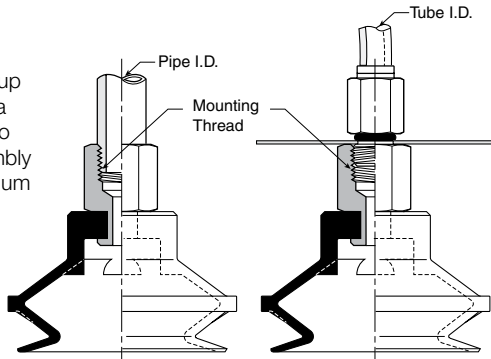
Simple female connection for low profile positions secured to a plate or bracket. BSPP, NPT metric threads.

Fitting material: aluminum.

Installation

Note:

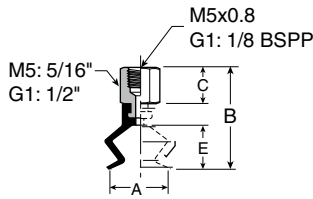
When installing cup assemblies, use a sealant material to secure the assembly and prevent vacuum leakage.



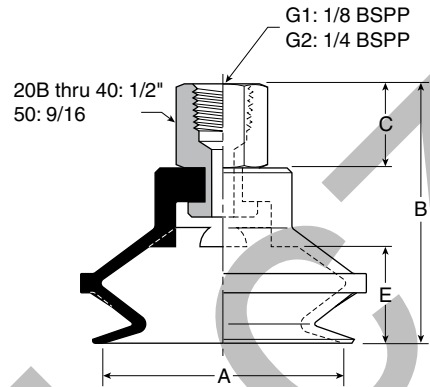
Cup diameter (mm)	Vacuum port	Complete assembly Nitrile (NBR)	Replacement cup Nitrile (NBR)	Complete assembly Silicon (SI)	Replacement cup Silicon (SI)	Replacement cup fitting
10	1/8 BSPP	PBTF-10A-NBR-G1	PBG-10A-NBR	PBTF-10A-SI-G1	PBG-10A-SI	FTF-5A-G1
10	M5	PBTF-10A-NBR-M5	PBG-10A-NBR	PBTF-10A-SI-M5	PBG-10A-SI	FTF-5A-M5
15	1/8 BSPP	PBTF-15A-NBR-G1	PBG-15A-NBR	PBTF-15A-SI-G1	PBG-15A-SI	FTF-5A-G1
15	M5	PBTF-15A-NBR-M5	PBG-15A-NBR	PBTF-15A-SI-M5	PBG-15A-SI	FTF-5A-M5
20	1/8 BSPP	PBTF-20B-NBR-G1	PBG-20B-NBR	PBTF-20B-SI-G1	PBG-20B-SI	FTF-20B-G1
20	1/8 NPT	PBTF-20B-NBR-N1	PBG-20B-NBR	PBTF-20B-SI-N1	PBG-20B-SI	FTF-20B-N1
30	1/8 BSPP	PBTF-30-NBR-G1	PBG-30-NBR	PBTF-30-SI-G1	PBG-30-SI	FTF-20B-G1
30	1/8 NPT	PBTF-30-NBR-N1	PBG-30-NBR	PBTF-30-SI-N1	PBG-30-SI	FTF-20B-N1
30	1/4 BSPP	PBTF-30-NBR-G2	PBG-30-NBR	PBTF-30-SI-G2	PBG-30-SI	FTF-20B-G2
40	1/8 BSPP	PBTF-40-NBR-G1	PBG-40-NBR	PBTF-40-SI-G1	PBG-40-SI	FTF-20B-G1
40	1/8 NPT	PBTF-40-NBR-N1	PBG-40-NBR	PBTF-40-SI-N1	PBG-40-SI	FTF-20B-N1
40	1/4 BSPP	PBTF-40-NBR-G2	PBG-40-NBR	PBTF-40-SI-G2	PBG-40-SI	FTF-20B-G2
50	1/8 BSPP	PBTF-50-NBR-G1	PBG-50-NBR	PBTF-50-SI-G1	PBG-50-SI	FTF-50-G1
50	1/4 BSPP	PBTF-50-NBR-G2	PBG-50-NBR	PBTF-50-SI-G2	PBG-50-SI	FTF-50-G2
50	1/8 NPT	PBTF-50-NBR-N1	PBG-50-NBR	PBTF-50-SI-N1	PBG-50-SI	FTF-50-N1
75	1/4 BSPP	PBTF-75-NBR-G2	PBG-75-NBR	PBTF-75-SI-G2	PBG-75-SI	FTF-60-G2
75	1/4 NPT	PBTF-75-NBR-N2	PBG-75-NBR	PBTF-75-SI-N2	PBG-75-SI	FTF-60-N2
110	1/2 BSPP	PBTF-110-NBR-G4	PBG-110-NBR	PBTF-110-SI-G4	PBG-110-SI	FTF-120-G4
110	1/2 NPT	PBTF-110-NBR-N4	PBG-110-NBR	PBTF-110-SI-N4	PBG-110-SI	FTF-120-N4
150	1/2 BSPP	PBTF-150-NBR-G4	PBG-150-NBR	PBTF-150-SI-G4	PBG-150-SI	FTF-120-G4
150	1/2 NPT	PBTF-150-NBR-N4	PBG-150-NBR	PBTF-150-SI-N4	PBG-150-SI	FTF-120-N4

Dimensions

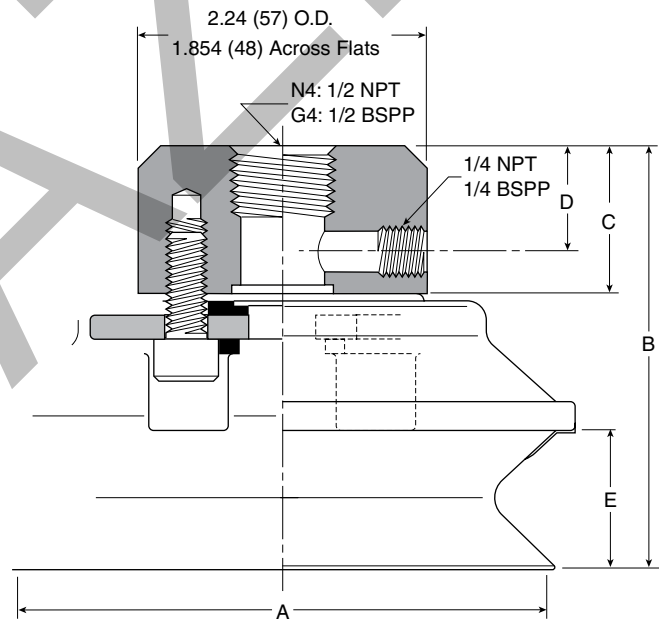
**PBTF-10A thru
 PBTF-15A**



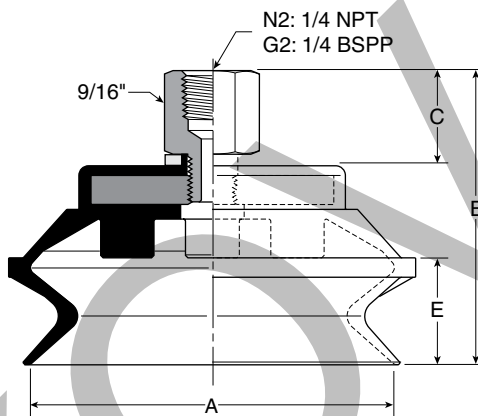
**PBTF-20B thru
 PBTF 50**



**PBTF-110 thru
 PBTF-150**



PBTF-75



Dimensions (mm)

Model number	ØA	B	B (M5)	C	C (M5)	D	E
PBTF-10A-*.†	10	21.5	27.5	8	14	—	7.5
PBTF-15A-*.†	15	24	30	8	14	—	10
PBTF-20B-*.†	20	36	—	14	—	—	12
PBTF-30-*.†	30	44.5	—	14	—	—	17
PBTF-40-*.†	40	44.5	—	14	—	—	15.5
PBTF-50-*.†	50	50.5	—	14	—	—	20
PBTF-75-*.†	95	60.5	—	19.5	—	—	22
PBTF-110-*.†	120	78	—	24	—	13	29
PBTF-150-*.†	150	97	—	24	—	13	38

* Cup material
 † Thread size

