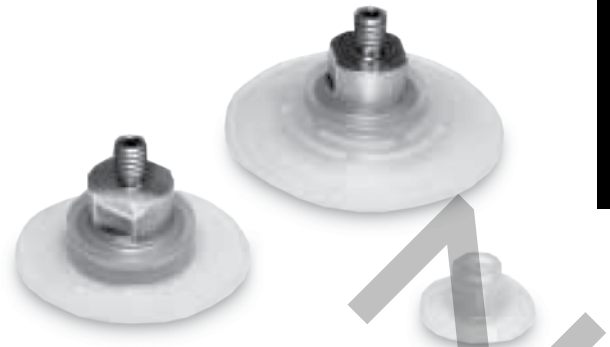


The PAG Cups are ideal for paper feeding, plastic bags and foil. The choice between the 20A & 20B, 30 & 30B is application dependent. The 20A & 30B cups have a thinner lip design than the 20B & 30 cups. This thinner lip design is more suited to products with micron thickness.



Features

- Bellows design for level compensation within restricted clearances
- Sheet separation for flexible and stacked products
- Soft seal lip for flexible products
- 10mm to 50mm diameters

Styles

- PATM Series Male Thread Connector
- PATK Series Barbed Bulkhead
- PAYK Series 90° Barbed Adapter

Specifications

Cup material	Nitrile	Nitrile ESD*	Silicon	Silicon ESD*	Urethane
Material code	NBR	NBRE	SI	SIE	U
Operating temperature (°C)	-20° to +120°	-30° to +120°	-60° to +250°	-60° to +250°	-30° to +120°
Color	Black	Black / Blue Dot	White	Black / Red Dot	Blue
Hardness, shore A (°Sh)	55 ±5	70 ±5	55 ±5	55 ±5	55 ±5
Electrical resistance (Ωm)	—	800 to 1000	—	800 to 1000	—

* ESD: Electric Static Dissipative Material

How to order

Cups Assemblies and replacement cups are specified by Cup Diameter and Material. Standard Nitrile and silicon are listed on the following pages. To specify an alternative material, replace the cup material with alternative cup material code.

Example: To specify a cup assembly with Urethane (U), replace (NBR) with (U) in the part number. PFTM-20B-NBR-G1 becomes PFTM-20B-U-G1. Inquire with factory for availability.

Application guide

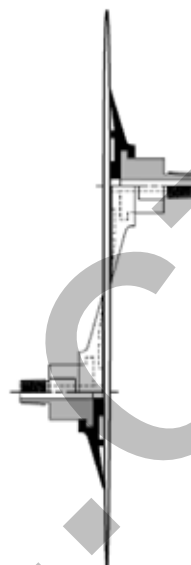
Thin – Smooth Surfaces



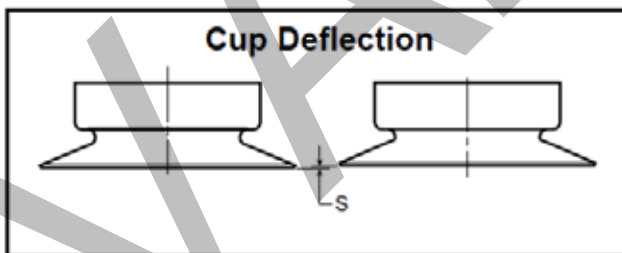
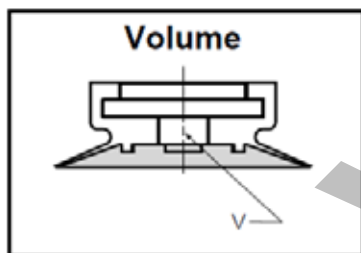
Flat surface,
thin section

Applications

- Products With Smooth Surfaces
- Products With Micron Thickness
- When Opening Plastic or Paper Bags, Offset Cups



Main data for fat PAG cups



Model Number	Cup Diameter [mm]	Area [cm ²]	Cup Deflection [S] [mm]
PAG-10A-*	10	0,79	0,6
PAG-15A-*	15	1,77	0,9
PAG-20A-*	20	3,14	1,2
PAG-25-*	25	4,91	1,5
PAG-30-*	30	7,07	1,8
PAG-40-*	40	12,60	2,4
PAG-50-*	40	19,60	3,0

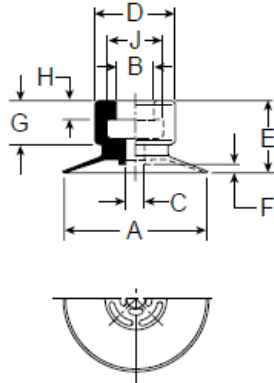
Millimeter
 * Cup Material



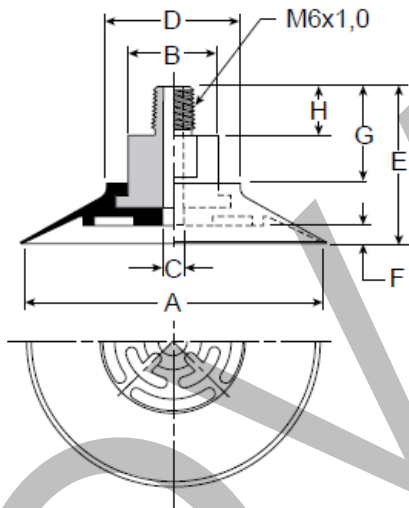
PAG Series Replacement Cup Dimensions

A

**PAG-10A and
 PAG-20A**



**PAG-25 thru
 PAG-50**



Model Number	ØA	ØB	ØC	ØD	E	F	G	H	J
PAG-10A-*	10	4	2	8,5	7,5	0,6	4	2	6
PAG-15A-*	15	4	2	8,5	7,5	0,9	4	2	6
PAG-20A-*	20	4	2	9	10	1,2	4	2	6
PAG-25-*	25	26	3	22	26	1,5	16	8	—
PAG-30-*	30	26	3	22	26	1,8	16	8	—
PAG-40-*	40	26	3	22	26	2,4	16	8	—
PAG-50-*	50	26	3	22	26	3	16	8	—

Millimeter
 * Cup Material