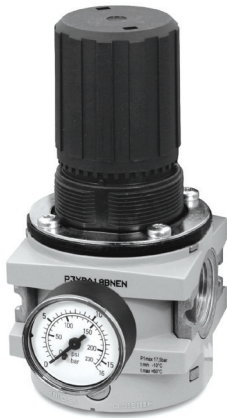
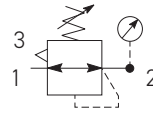


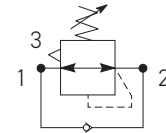
**Regulator**



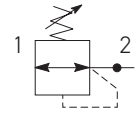
**Symbols**



Self relieving regulator with gauge



Reverse flow relieving regulator



Non relieving regulator

- Integral 3/4 or 1" ports (BSPP & NPT)
- Robust but lightweight aluminium construction
- Secondary pressure ranges 12 & 16 bar
- Rolling diaphragm for extended life
- Secondary aspiration plus rolling diaphragm provides quick response and accurate pressure regulation.
- Optional tamperproof regulator padlock
- Relieving & Non-relieving types
- Reverse flow / relieving option
- Low temperature -40°C

**Options:**

<b>P 3 Y R A</b>							<b>N</b>		
BSPP (G)	<b>1</b>	3/4"	<b>6</b>	Relieving	<b>B</b>	Standard	<b>N</b>	0 - 12 bar No Gauge	<b>E</b>
NPT	<b>9</b>	1"	<b>8</b>	Reverse flow / Relieving	<b>R</b>	Lockable type	<b>A</b>	0 - 16 bar No Gauge	<b>H</b>

Port size	Description	Order Code	Flow dm <sup>3</sup> /s *	Max bar	Min temp °C	Max temp °C	Height mm	Width mm	Depth mm	Weight kg
3/4	12 bar relieving	<b>P3YRA16BNEN</b>	179	17.5	-40	60	182	90	94	1.08
1"	12 bar relieving	<b>P3YRA18BNEN</b>	260	17.5	-40	60	182	90	94	1.08
3/4	12 bar relieving, lockable	<b>P3YRA16BAEN</b>	179	17.5	-40	60	182	90	94	1.08
1"	12 bar relieving, lockable	<b>P3YRA18BAEN</b>	260	17.5	-40	60	182	90	94	1.08

\* Flow with 10 bar inlet pressure, 6,3 bar set pressure and 1 bar pressure drop.

Lockable regulators will require key lock kit (see Accessories).

**Technical Information**

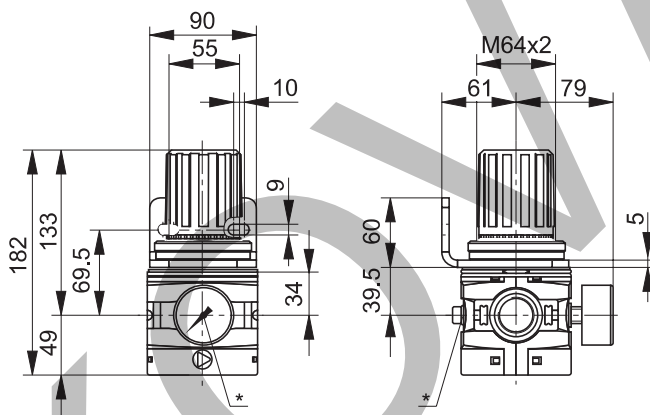
Fluid:	Compressed air
Maximum inlet pressure*:	17.5 bar
Temperature range*:	-40°C to +60°C
Typical flow with 10 bar inlet pressure, 6.3 bar set pressure and 1 bar pressure drop:	1" size 321 dm <sup>3</sup> /s
Gauge port ( x 2 ):	1/4"

\* Air supply must be dry enough to avoid ice formation at temperatures below +2°C

**Material Specification**

Body:	Aluminium
Bonnet:	Glass filled polyamide
Regulator cover:	ABS
Control Knob:	Glass filled polyamide
Valve:	Brass / NBR
Seals:	Nitrile NBR
Screws:	Steel / zinc plated

**Dimensions (mm)**



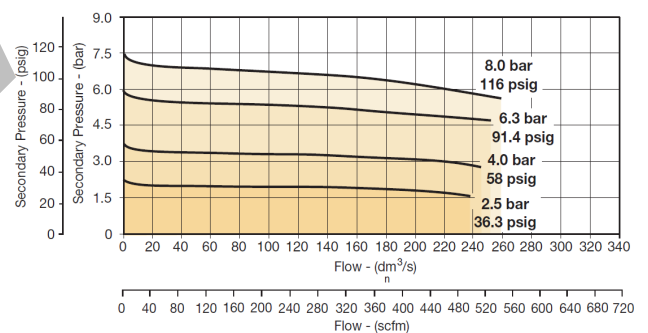
\* 1/4" gauge port

**Service kits**

Description	Order code
Angle bracket + metal lock ring	<b>P3YKA00MS</b>
Panel mounting nut	<b>P3YKA00MM</b>
Key lock	<b>P3XKA00AS</b>
Diaphragm kit (relieving type)	<b>P3YKA00RR</b>
Diaphragm kit (non-relieving type)	<b>P3YKA00RN</b>
Pressure gauge 0 to 16 bar 1/4"	<b>KG8013-00</b>

**Flow characteristics**

**Regulation characteristics: (3/4")**



**Regulation characteristics: (1")**

