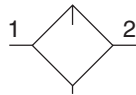


## P33 Lubricators – Standard

- Integral 1/2" or 3/4" ports (NPT, BSPP & BSPT)
- Robust but lightweight aluminum construction
- Proportional oil delivery over a wide range of air flows
- Finger tip ratchet control for precise oil drip rate adjustment
- Fill from top under system pressure



Lubricator with drain

Port Size	Description †	Part Number
1/2"	Poly Bowl - No Drain	<b>P33LA14LGNN</b>
1/2"	Metal Bowl - No Drain	<b>P33LA14LSNN</b>
3/4"	Poly Bowl - No Drain	<b>P33LA16LGNN</b>
3/4"	Metal Bowl - No Drain	<b>P33LA16LSNN</b>

† For polycarbonate bowl, see caution in Engineering Section A.

### Operating Information

Flow capacity*:	
1/2"	110 scfm (52 dm <sup>3</sup> /s, ANR)
3/4"	150 scfm (71 dm <sup>3</sup> /s, ANR)
Operating temperature:	
Plastic bowl	14°F to 125°F (-10°C to 52°C)
Metal bowl	14°F to 150°F (-10°C to 65.5°C)
Supply pressure (max):	
Plastic bowl	150 psig (10 bar)
Metal bowl	250 psig (17 bar)
Bowl capacity:	6.1 US oz. (181 cm <sup>3</sup> )
Weight:	1.04 lb (0.47 kg)
* Inlet pressure 91.3 psig (6.3 bar). Pressure drop 4.9 psig (0.34 bar).	

### Ordering Information:

<b>P33LA</b>		<b>1</b>	<b>6</b>	<b>L</b>	<b>G</b>	<b>N</b>	<b>N</b>
<b>Basic Series</b> Global Modular Standard Lubricator		<b>Thread Type</b> BSPP 1 BSPT 2 NPT 9		<b>Port Size</b> 1/2 4 3/4 6		<b>Mounting</b> N No Bracket	
P33LA		<b>Lube Type</b> Oil Mist Standard Sight Dome L		<b>Drain Type</b> N No Drain Closed End		<b>Bowl Type</b> G Poly Bowl with Bowl Guard S Metal Bowl with Sight Gauge	

#### Suggested Lubricant

Petroleum based oil of 100 to 200 SUS viscosity at 100°F (38°C) and an aniline point greater than 200°F (93°C)

(DO NOT USE OILS WITH ADDITIVES, COMPOUNDED OILS CONTAINING SOLVENTS, GRAPHITE, DETERGENTS, OR SYNTHETIC OILS.)

#### Most Popular



**Material Specifications**

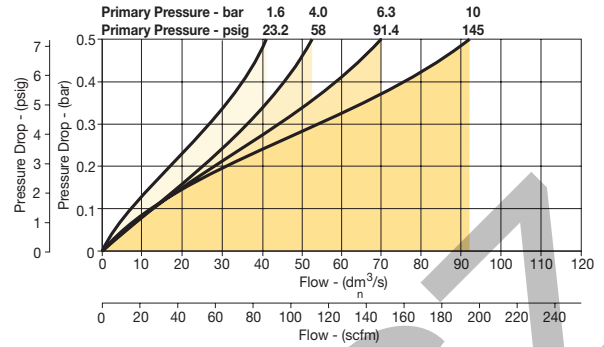
Body	Aluminum
Body cap	ABS
Plastic bowl	Polycarbonate
Metal bowl	Aluminum
Seals	Nitrile
Sight dome	Polycarbonate
Sight gauge	Nylon
Suggested lubricant	ISO / ASTM VG32
Pick-up filter	Sintered bronze

**Repair and Service Kits**

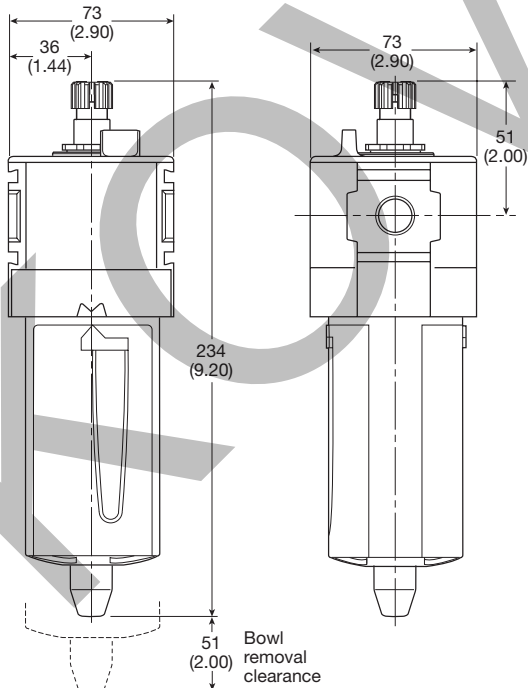
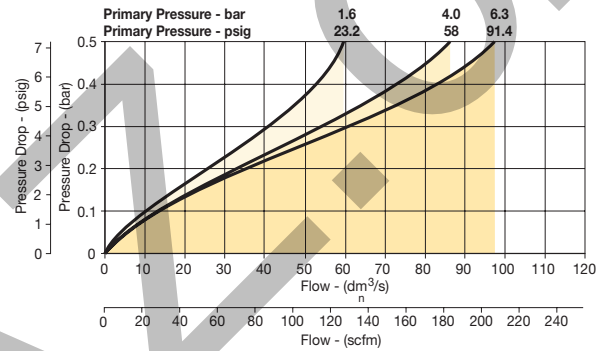
Plastic bowl / bowl guard no drain	<b>P33KA00BGN</b>
Metal bowl / w/o sight gauge no drain	<b>P33KA00BMN</b>
Metal bowl / sight gauge no drain	<b>P33KA00BSN</b>
Drip control assembly	<b>P32KA00PG</b>
Fill plug	<b>P32KA00PL</b>
L-bracket (fits to body)	<b>P33KA00ML</b>
T-bracket (fits to body connector)	<b>P32KA00MB</b>
T-bracket with body connector	<b>P32KA00MT</b>
Body connector	<b>P32KA00CB</b>
Lubricator oil - VG32 - 1 litre	<b>P3YKA00PPBB</b>

**Flow Charts**

**P33LA 1/2" Lubricator**



**P33LA 3/4" Lubricator**



mm (Inches)

**Most Popular**

