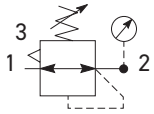
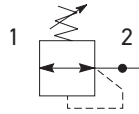


P32 Regulators – Compact

- Integral 1/4", 3/8" or 1/2" ports (NPT, BSPP & BSPT)
- Robust but lightweight aluminum construction
- Secondary pressure ranges
- Secondary aspiration plus balanced poppet provides quick response and accurate pressure regulation
- Relieving & non-relieving types
- Regulator will reverse flow as standard
- Non-rising knob
- Available T-handle



Self relieving regulator with gauge



Non-relieving regulator

| Port Size | Description (relieving) | Gauge | Part Number |
|-----------|-------------------------|-------|--------------------|
| 1/4" | 125 psig (8 bar) | None | P32RB12BNNP |
| 3/8" | 125 psig (8 bar) | None | P32RB13BNNP |
| 1/2" | 125 psig (8 bar) | None | P32RB14BNNP |

Operating Information

| | |
|---|---|
| Flow capacity*: | 148 scfm (70 dm ³ /s, ANR) |
| 1/4" | |
| 3/8, 1/2" | 165 scfm (78 dm ³ /s, ANR) |
| Operating temperature: | -13°F to 150°F (-25°C to 65.5°C) |
| Supply pressure (max): | 300 psig (20 bar) |
| Adjusting range pressure: | 30 psig (0-2 bar) 60 psig (0-4 bar) 125 psig (0-8 bar) 250 psig (0-17 bar) |
| Gauge port (2 each) | 1/4 NPT, BSPP, BSPT |
| Weight: | 0.90 lb (0.41 kg) |
| * Inlet pressure 145 psig (10 bar). Secondary pressure 91.3 psig (6.3 bar) and 14.5 psig (1 bar) pressure drop. | |

Ordering Information:

| P32RB | | 1 | 3 | B | N | G | P | | | | | | | | | | | | | | | | | | | | | | | | |
|---|--------|---|---------------------------|--|----------|---|----------|-------------------|--|------------------|--|------|-----|--|--|---------|--------|---|-------------------------|--------|-------|---|-------------------------|---------|-------|---|--------------------------|--|--|---|---------------------------|
| Basic Series Global Modular Compact Regulator P32RB | | Thread Type BSPP 1 BSPT 2 NPT 9 | | Port Size 1/4 2 3/8 3 1/2 4 | | Relief Relieving B Non-Relieving N | | | | | | | | | | | | | | | | | | | | | | | | | |
| | | | | | | Mounting P Plastic Panel Mount Nut | | | | | | | | | | | | | | | | | | | | | | | | | |
| | | | | | | Adjustment Range <table border="1"> <thead> <tr> <th colspan="2">With Square Gauge</th> <th colspan="2">With Round Gauge</th> </tr> <tr> <th>psig</th> <th>bar</th> <th></th> <th></th> </tr> </thead> <tbody> <tr> <td>1 = 30*</td> <td>V = 2*</td> <td>Z</td> <td>30 psig; 2 bar; 0.2 MPa</td> </tr> <tr> <td>3 = 60</td> <td>S = 4</td> <td>M</td> <td>60 psig; 4 bar; 0.4 MPa</td> </tr> <tr> <td>5 = 125</td> <td>T = 8</td> <td>G</td> <td>125 psig; 8 bar; 0.8 MPa</td> </tr> <tr> <td></td> <td></td> <td>J</td> <td>250 psig; 17 bar; 1.7 MPa</td> </tr> </tbody> </table> | | With Square Gauge | | With Round Gauge | | psig | bar | | | 1 = 30* | V = 2* | Z | 30 psig; 2 bar; 0.2 MPa | 3 = 60 | S = 4 | M | 60 psig; 4 bar; 0.4 MPa | 5 = 125 | T = 8 | G | 125 psig; 8 bar; 0.8 MPa | | | J | 250 psig; 17 bar; 1.7 MPa |
| With Square Gauge | | With Round Gauge | | | | | | | | | | | | | | | | | | | | | | | | | | | | | |
| psig | bar | | | | | | | | | | | | | | | | | | | | | | | | | | | | | | |
| 1 = 30* | V = 2* | Z | 30 psig; 2 bar; 0.2 MPa | | | | | | | | | | | | | | | | | | | | | | | | | | | | |
| 3 = 60 | S = 4 | M | 60 psig; 4 bar; 0.4 MPa | | | | | | | | | | | | | | | | | | | | | | | | | | | | |
| 5 = 125 | T = 8 | G | 125 psig; 8 bar; 0.8 MPa | | | | | | | | | | | | | | | | | | | | | | | | | | | | |
| | | J | 250 psig; 17 bar; 1.7 MPa | | | | | | | | | | | | | | | | | | | | | | | | | | | | |
| | | | | | | * Regulator comes with gauge respective to the adjustment range selected. | | | | | | | | | | | | | | | | | | | | | | | | | |
| | | | | Adjustment N Non-Rising Knob T T-Handle | | Without Gauge Y 30 psig; 2 bar; 0.2 MPa L 60 psig; 4 bar; 0.4 MPa N 125 psig; 8 bar; 0.8 MPa H 250 psig; 17 bar; 1.7 MPa | | | | | | | | | | | | | | | | | | | | | | | | | |

Most Popular



Material Specifications

| | |
|--------------------|------------------------|
| Body | Aluminum |
| Adjustment knob | Acetal |
| Bonnet | Glass-filled nylon |
| Diaphragm assembly | Nitrile / Zinc |
| Valve assembly | Brass / Nitrile |
| Springs | Steel, stainless steel |
| Seals | Nitrile |
| Panel nut | Acetal |

Repair and Service Kits

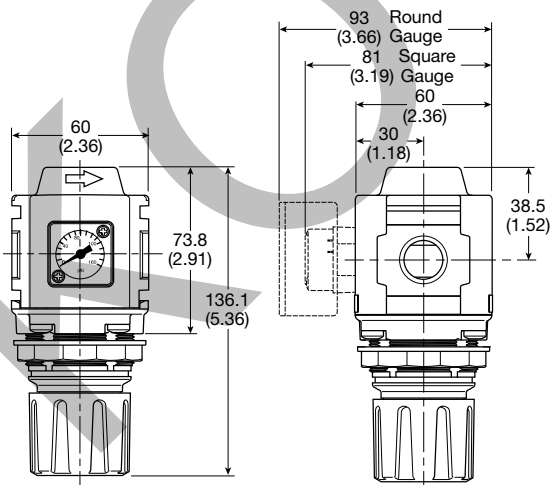
| | |
|--|------------------|
| Diaphragm repair kit - relieving | P32KB00RB |
| Diaphragm repair kit - non-relieving | P32KB00RC |
| Panel mount nut - aluminum | P32KA00MM |
| Panel mount nut - plastic | P32KA00MP |
| Angle bracket (attaches via panel nut) | P32KB00MR |
| T-bracket with body connector | P32KA00MT |
| T-bracket | P32KA00MB |
| Body connector | P32KA00CB |

WARNING

Product rupture can cause serious injury.
Do not connect regulator to bottled gas.
Do not exceed Maximum primary pressure rating.

CAUTION:

REGULATOR PRESSURE ADJUSTMENT - The working range of knob adjustment is designed to permit outlet pressures within their full range. Pressure adjustment beyond this range is also possible because the knob is not a limiting device. This is a common characteristic of most industrial regulators, and limiting devices may be obtained only by special design. For best performance, regulated pressure should always be set by increasing the pressure up to the desired setting.

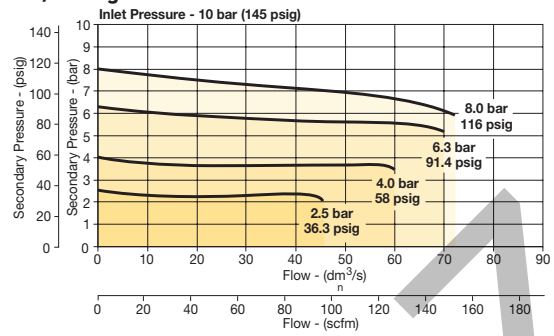


mm (Inches)

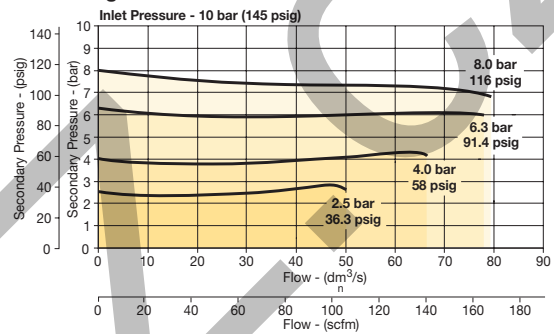
NOTE: 1.90 in. (48mm) hole required for panel nut mounting.

Flow Charts

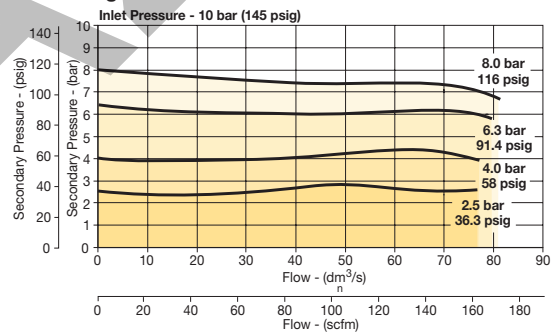
P32RB 1/4" Regulator



P32RB 3/8" Regulator



P32RB 1/2" Regulator



Gauges

| | | |
|--|-----------------------|--------------------|
| Square flush mount gauge | 0-4 bar | K4511SCR04B |
| | 0-11 bar | K4511SCR11B |
| | 0-60 psig | K4511SCR060 |
| | 0-160 psig | K4511SCR160 |
| Square with adapter kit | 0-4 bar | P6G-PR10040 |
| | 0-11 bar | P6G-PR10110 |
| | 0-60 psig | P6G-PR90060 |
| | 0-160 psig | P6G-PR90160 |
| 50mm (2") round 1/4" center back mount | 0-60 psig / 0-4 bar | P6G-ERB2040 |
| | 0-160 psig / 0-11 bar | P6G-ERB2110 |
| | 0-300 psig / 0-20 bar | P6G-ERB2200 |

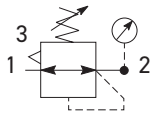
For best performance, regulated pressure should always be set by increasing the pressure up to the desired setting.

Most Popular

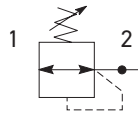


P32 Semi-Precision Regulator – Compact

- Integral 1/4", 3/8" or 1/2" ports (NPT, BSPP & BSPT)
- Robust but lightweight aluminum construction
- Secondary pressure ranges
- Secondary aspiration plus balanced poppet provides quick response and accurate pressure regulation
- Relieving & non-relieving types
- Regulator will reverse flow as standard
- Non-rising knob



Self relieving regulator with gauge



Non-relieving regulator

| Port Size | Description (relieving) | Gauge | Part Number |
|-----------|-------------------------|-------|--------------------|
| 1/4" | 125 psig (8 bar) | None | P32RB12PNNP |
| 3/8" | 125 psig (8 bar) | None | P32RB13PNNP |
| 1/2" | 125 psig (8 bar) | None | P32RB14PNNP |

Operating Information

| | |
|---|---|
| Flow capacity*: | 53 scfm (25 dm ³ /s, ANR) |
| Effect of supply pressure variation: | 0.6 psig (0.04 bar) for 25 psig (1.7 bar) change in P1 |
| Operating temperature: | -13°F to 150°F (-25°C to 65.5°C) |
| Supply pressure (max): | 300 psig (20 bar) |
| Adjusting range pressure: | 0 to 30 psig (0 to 2 bar) 0 to 60 psig (0 to 4 bar) 0 to 125 psig (0 to 8 bar) 0 to 250 psig (0 to 17 bar) |
| Gauge port (2 each): | 1/4 NPT, BSPP, BSPT |
| Weight: | 0.90 lb (0.41 kg) |
| * Inlet pressure 145 psig (10 bar). Secondary pressure 91.3 psig (6.3 bar) and 14.5 psig (1 bar) pressure drop. | |

Ordering Information:

| P32RB | | 1 | 3 | P | N | G | P | |
|---------------------|---|--------------------------------|---|---|---|-------------------|---|--|
| Basic Series | Global Modular Compact Regulator | Thread Type | | | | | Mounting | |
| | P32RB | BSPP 1 | | | | | P Plastic Panel Mount Nut | |
| | | BSPT 2 | | | | | | |
| | | NPT 9 | | | | | | |
| | | Port Size | | | | | Adjustment Range | |
| | | 1/4 2 | | | | | With Square Gauge | |
| | | 3/8 3 | | | | | psig bar | |
| | | 1/2 4 | | | | | 1 = 30* V = 2* | |
| | | | | | | | 3 = 60 S = 4 | |
| | | | | | | | 5 = 125 T = 8 | |
| | | | | | | | * Regulator comes with gauge respective to the adjustment range selected. | |
| | | Relief | | | | | Without Gauge | |
| | | Semi-Precision Relieving P | | | | | Y 30 psig; 2 bar; 0.2 MPa | |
| | | Semi-Precision Non-Relieving T | | | | | L 60 psig; 4 bar; 0.4 MPa | |
| | | | | | | | N 125 psig; 8 bar; 0.8 MPa | |
| | | | | | | | H 250 psig; 17 bar; 1.7 MPa | |
| | | | | | | Adjustment | | |
| | | | | | | N Non-Rising Knob | | |
| | | | | | | T T-Handle | | |

Most Popular



Material Specifications

| | |
|--------------------|------------------------|
| Body | Aluminum |
| Adjustment knob | Acetal |
| Bonnet | Glass-filled nylon |
| Diaphragm assembly | Nitrile / zinc |
| Valve assembly | Brass / nitrile |
| Springs | Steel, stainless steel |
| Seals | Nitrile |
| Panel nut | Acetal |

Repair and Service Kits

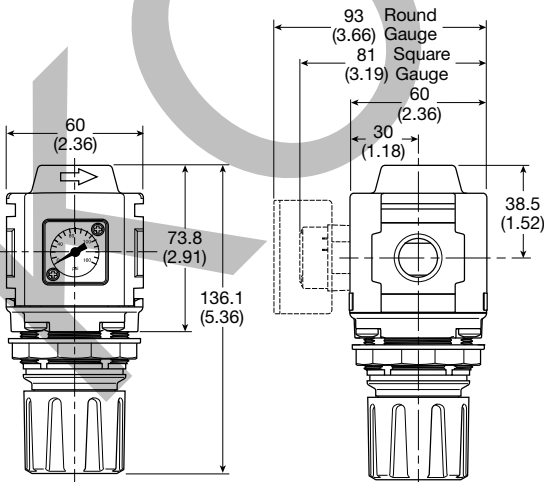
| | |
|--|------------------|
| Diaphragm repair kit - relieving | P32KB00RB |
| Diaphragm repair kit - non-relieving | P32KB00RC |
| Panel mount nut - aluminum | P32KA00MM |
| Panel mount nut - plastic | P32KA00MP |
| Angle bracket (attaches via panel nut) | P32KB00MR |
| T-bracket with body connector | P32KA00MT |
| T-bracket | P32KA00MB |
| Body connector | P32KA00CB |

WARNING

Product rupture can cause serious injury.
Do not connect regulator to bottled gas.
Do not exceed Maximum primary pressure rating.

CAUTION:

REGULATOR PRESSURE ADJUSTMENT - The working range of knob adjustment is designed to permit outlet pressures within their full range. Pressure adjustment beyond this range is also possible because the knob is not a limiting device. This is a common characteristic of most industrial regulators, and limiting devices may be obtained only by special design. For best performance, regulated pressure should always be set by increasing the pressure up to the desired setting.

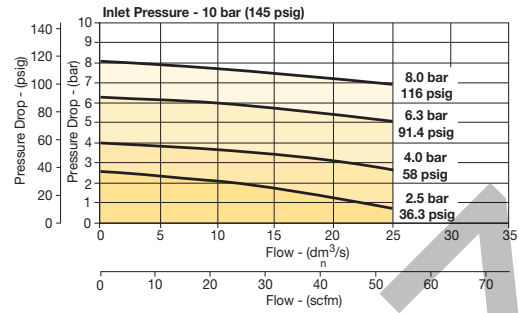


mm (Inches)

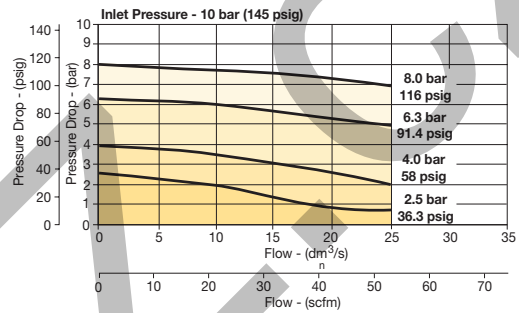
NOTE: 1.90 in. (48mm) hole required for panel nut mounting.

Flow Charts

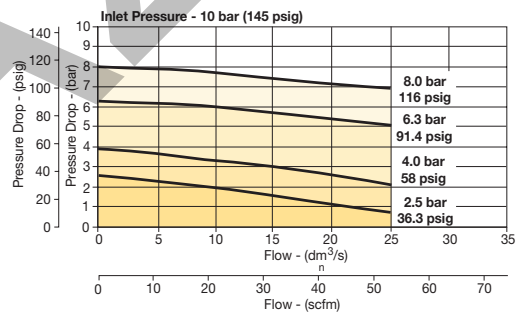
P32RB 1/4" Regulator



P32RB 3/8" Regulator



P32RB 1/2" Regulator



Gauges

| | | |
|--|-----------------------|--------------------|
| Square flush mount gauge | 0-4 bar | K4511SCR04B |
| | 0-11 bar | K4511SCR11B |
| | 0-60 psig | K4511SCR060 |
| | 0-160 psig | K4511SCR160 |
| Square with adapter kit | 0-4 bar | P6G-PR10040 |
| | 0-11 bar | P6G-PR10110 |
| | 0-60 psig | P6G-PR90060 |
| | 0-160 psig | P6G-PR90160 |
| 50mm (2") round 1/4" center back mount | 0-60 psig / 0-4 bar | P6G-ERB2040 |
| | 0-160 psig / 0-11 bar | P6G-ERB2110 |
| | 0-300 psig / 0-20 bar | P6G-ERB2200 |

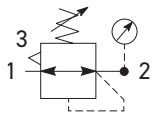
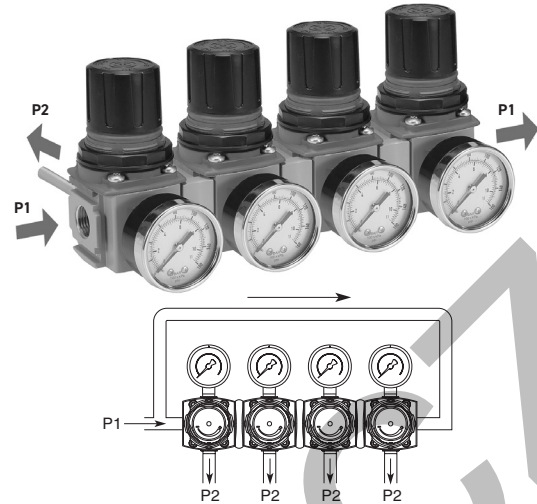
For best performance, regulated pressure should always be set by increasing the pressure up to the desired setting.

Most Popular

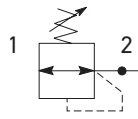


P32 Common - P1 Regulator - Compact

- Manifold style regulator with line pressure on both sides.
- Pressure output is at front or rear.
- Inlet ports 1/4", 3/8" or 1/2" (NPT, BSPP & BSPT)
- Working port 1/4"
- Robust construction
- Secondary pressure ranges
- Secondary aspiration plus balanced poppet provides quick response and accurate pressure regulation
- Relieving & non-relieving types
- Regulator will reverse flow as standard
- Non-rising knob



Self relieving regulator with gauge



Non-relieving regulator

Operating Information

Flow capacity*: 1/4, 3/8, 1/2 64 scfm (30 dm³/s, ANR)
 Operating temperature: -25°C to 65.5°C (-13°F to 150°F)
 Supply pressure (max): 300 psig (20 bar)
 Adjusting range pressure: 0 to 30 psig (0 to 2 bar)
 0 to 60 psig (0 to 4 bar)
 0 to 125 psig (0 to 8 bar)
 0 to 232 psig (0 to 16 bar)
 Gauge port (2 each): 1/4 NPT, BSPP, BSPT
 Weight: 0.50 lb (0.23 kg)
 * Inlet pressure 145 psig (10 bar). Secondary pressure 91.3 psig (6.3 bar) and 14.5 psig (1 bar) pressure drop.

| Port Size | Description (relieving) | Gauge | Part Number |
|-----------|-------------------------|-------|--------------------|
| 1/4" | 125 psig (8 bar) | None | P32HB12BNNP |
| 3/8" | 125 psig (8 bar) | None | P32HB13BNNP |
| 1/2" | 125 psig (8 bar) | None | P32HB14BNNP |

Ordering Information:

P32HB 1 3 B N G P

| Basic Series Global Modular Compact Regulator P32HB | Thread Type BSPP 1 BSPT 2 NPT 9 | Mounting P Plastic Panel Mount Nut | | | | | | | | | | | | | | | | | | | | | | | | | | | | | | | | | |
|---|--|--|-------------------|--|------------------|------|-----|--|---------|--------|---------------------------|--------|-------|---------------------------|---------|-------|----------------------------|--|--|-----------------------------|--|--|---------------|--|--|---------------------------|--|--|---------------------------|--|--|-----------------------------------|--|--|-----------------------------|
| Port Size † 1/4 2 3/8 3 1/2 4 | Relief Relieving B Non-Relieving N | Adjustment Range | | | | | | | | | | | | | | | | | | | | | | | | | | | | | | | | | |
| † Working port 1/4". | Adjustment N Non-Rising Knob T T-Handle | <table border="1"> <thead> <tr> <th colspan="2">With Square Gauge</th> <th>With Round Gauge</th> </tr> <tr> <th>psig</th> <th>bar</th> <th></th> </tr> </thead> <tbody> <tr> <td>1 = 30*</td> <td>V = 2*</td> <td>Z 30 psig; 2 bar; 0.2 MPa</td> </tr> <tr> <td>3 = 60</td> <td>S = 4</td> <td>M 60 psig; 4 bar; 0.4 MPa</td> </tr> <tr> <td>5 = 125</td> <td>T = 8</td> <td>G 125 psig; 8 bar; 0.8 MPa</td> </tr> <tr> <td></td> <td></td> <td>J 250 psig; 17 bar; 1.7 MPa</td> </tr> <tr> <td colspan="2"></td> <th>Without Gauge</th> </tr> <tr> <td colspan="2"></td> <td>Y 30 psig; 2 bar; 0.2 MPa</td> </tr> <tr> <td colspan="2"></td> <td>L 60 psig; 4 bar; 0.4 MPa</td> </tr> <tr> <td colspan="2"></td> <td>N 125 psig; 8 bar; 0.8 MPa</td> </tr> <tr> <td colspan="2"></td> <td>H 250 psig; 17 bar; 1.7 MPa</td> </tr> </tbody> </table> | With Square Gauge | | With Round Gauge | psig | bar | | 1 = 30* | V = 2* | Z 30 psig; 2 bar; 0.2 MPa | 3 = 60 | S = 4 | M 60 psig; 4 bar; 0.4 MPa | 5 = 125 | T = 8 | G 125 psig; 8 bar; 0.8 MPa | | | J 250 psig; 17 bar; 1.7 MPa | | | Without Gauge | | | Y 30 psig; 2 bar; 0.2 MPa | | | L 60 psig; 4 bar; 0.4 MPa | | | N 125 psig; 8 bar; 0.8 MPa | | | H 250 psig; 17 bar; 1.7 MPa |
| With Square Gauge | | With Round Gauge | | | | | | | | | | | | | | | | | | | | | | | | | | | | | | | | | |
| psig | bar | | | | | | | | | | | | | | | | | | | | | | | | | | | | | | | | | | |
| 1 = 30* | V = 2* | Z 30 psig; 2 bar; 0.2 MPa | | | | | | | | | | | | | | | | | | | | | | | | | | | | | | | | | |
| 3 = 60 | S = 4 | M 60 psig; 4 bar; 0.4 MPa | | | | | | | | | | | | | | | | | | | | | | | | | | | | | | | | | |
| 5 = 125 | T = 8 | G 125 psig; 8 bar; 0.8 MPa | | | | | | | | | | | | | | | | | | | | | | | | | | | | | | | | | |
| | | J 250 psig; 17 bar; 1.7 MPa | | | | | | | | | | | | | | | | | | | | | | | | | | | | | | | | | |
| | | Without Gauge | | | | | | | | | | | | | | | | | | | | | | | | | | | | | | | | | |
| | | Y 30 psig; 2 bar; 0.2 MPa | | | | | | | | | | | | | | | | | | | | | | | | | | | | | | | | | |
| | | L 60 psig; 4 bar; 0.4 MPa | | | | | | | | | | | | | | | | | | | | | | | | | | | | | | | | | |
| | | N 125 psig; 8 bar; 0.8 MPa | | | | | | | | | | | | | | | | | | | | | | | | | | | | | | | | | |
| | | H 250 psig; 17 bar; 1.7 MPa | | | | | | | | | | | | | | | | | | | | | | | | | | | | | | | | | |

* Regulator comes with gauge respective to the adjustment range selected.

Most Popular

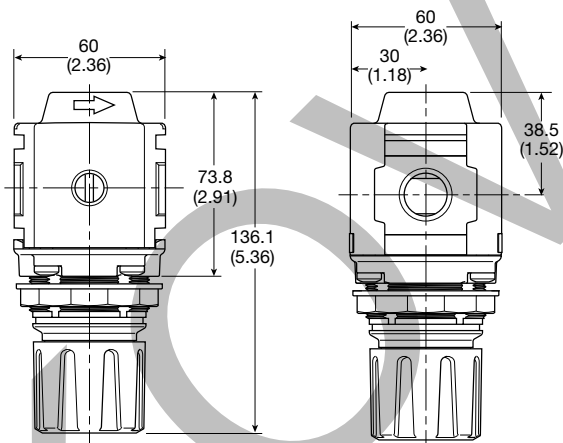


Material Specifications

| | |
|--------------------|------------------------|
| Body | Aluminum |
| Adjustment knob | Acetal |
| Bonnet | Glass-filled nylon |
| Diaphragm assembly | Nitrile / zinc |
| Valve assembly | Brass / nitrile |
| Springs | Steel, stainless steel |
| Seals | Nitrile |
| Panel nut | Acetal |

Repair and Service Kits

| | |
|--|------------------|
| Diaphragm repair kit - relieving | P32KB00RB |
| Diaphragm repair kit - non-relieving | P32KB00RC |
| Panel mount nut - aluminum | P32KA00MM |
| Panel mount nut - plastic | P32KA00MP |
| Angle bracket (attaches via panel nut) | P32KB00MR |
| T-bracket with body connector | P32KA00MT |
| T-bracket | P32KA00MB |
| Body connector | P32KA00CB |

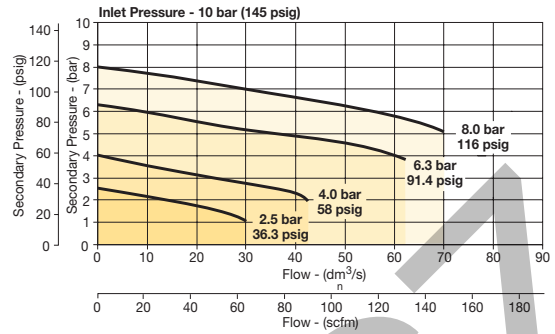


mm (Inches)

NOTE: 1.90 in. (48mm) hole required for panel nut mounting.

Flow Charts

P32HB Common Port Regulator



WARNING
 Product rupture can cause serious injury.
 Do not connect regulator to bottled gas.
 Do not exceed Maximum primary pressure rating.

CAUTION:

REGULATOR PRESSURE ADJUSTMENT – The working range of knob adjustment is designed to permit outlet pressures within their full range. Pressure adjustment beyond this range is also possible because the knob is not a limiting device. This is a common characteristic of most industrial regulators, and limiting devices may be obtained only by special design. For best performance, regulated pressure should always be set by increasing the pressure up to the desired setting.

Gauges

| | | |
|--|-----------------------|--------------------|
| Square flush mount gauge | 0-4 bar | K4511SCR04B |
| | 0-11 bar | K4511SCR11B |
| | 0-60 psig | K4511SCR060 |
| | 0-160 psig | K4511SCR160 |
| Square with adapter kit | 0-4 bar | P6G-PR10040 |
| | 0-11 bar | P6G-PR10110 |
| | 0-60 psig | P6G-PR90060 |
| | 0-160 psig | P6G-PR90160 |
| 50mm (2") round 1/4" center back mount | 0-60 psig / 0-4 bar | P6G-ERB2040 |
| | 0-160 psig / 0-11 bar | P6G-ERB2110 |
| | 0-300 psig / 0-20 bar | P6G-ERB2200 |

For best performance, regulated pressure should always be set by increasing the pressure up to the desired setting.

Most Popular

Most popular.

