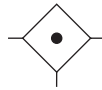


P32 Coalescing and Adsorber Filters – Compact

- Integral 1/4", 3/8" or 1/2" ports (NPT, BSPP & BSPT)
- Removes liquid aerosols and sub micron particles
- Oil free air for critical applications, such as air gauging, pneumatic instrumentation and control
- Differential Pressure Indicator (DPI) standard on Coalescing Filters
- Positive bayonet latch to ensure correct & safe fitting
- Adsorbing activated carbon element removes oil vapors and most hydrocarbons

Note: To optimize the life of coalescing element, it is advisable to install a P32F pre-filter with a 5 micron element upstream of the coalescing filter.
To optimize the life of an Adsorber it is advisable to install a P32 Coalescing Filter upstream of the Adsorber. Adsorber element should be replaced approximately every 1000 hours of service.



Port Size	Description †	Element	Part Number
1/4"	Poly Bowl, Manual Drain	0.01 micron	P32FB12DGMN
1/4"	Poly Bowl, Auto Drain	0.01 micron	P32FB12DGAN
1/4"	Metal Bowl, Manual Drain	0.01 micron	P32FB12DSMN
1/4"	Metal Bowl, Auto Drain	0.01 micron	P32FB12DSAN
3/8"	Poly Bowl, Manual Drain	0.01 micron	P32FB13DGMN
3/8"	Poly Bowl, Auto Drain	0.01 micron	P32FB13DGAN
3/8"	Metal Bowl, Manual Drain	0.01 micron	P32FB13DSMN
3/8"	Metal Bowl, Auto Drain	0.01 micron	P32FB13DSAN
1/2"	Poly Bowl, Manual Drain	0.01 micron	P32FB14DGMN
1/2"	Poly Bowl, Auto Drain	0.01 micron	P32FB14DGAN
1/2"	Metal Bowl, Manual Drain	0.01 micron	P32FB14DSMN
1/2"	Metal Bowl, Auto Drain	0.01 micron	P32FB14DSAN

† For polycarbonate bowl, see caution in Engineering Section A.

Operating Information

Supply pressure (max):		
Poly bowl	150 psig (10 bar)	
Metal bowl w/ DPI	150 psig (10 bar)	
Metal bowl w/o DPI	250 psig (17 bar)	
Operating temperature:		
Plastic bowl	-13°F to 125°F (-25°C to 52°C)	
Metal bowl	-13°F to 150°F (-25°C to 65.5°C)	
Standard filtration:		1.0 and 0.01 micron
Adsorber		Max. oil carryover (ppm w/w) 0.003 @ 70°F (21°C)
Flow capacity*:		0.01
1.0 micron coalescing	53 scfm (25 dm³/s, ANR)	
micron coalescing	36 scfm (17 dm³/s, ANR)	
Activated carbon adsorber	85 scfm (40 dm³/s, ANR)	
Useful retention†:		1.7 US oz. (51 cm³)
Weight:		0.71 lb (0.32 kg)
* Inlet pressure 91.3 psig (6.3 bar). Pressure drop 3 psig (0.2 bar), saturated element.		
† Useful retention refers to volume below the quiet zone baffle.		

Air quality:ISO 8573-1:2010: 0.01µm closes to Class 1 for maximum particle size and concentration of solid contaminants, and closes to Class 1 on maximum oil content (ppm/wt).

Within ISO 8573-1:2010: Adsorber closes to Class 1 on maximum oil content (ppm/wt).

Ordering Information:

P32FB		1	3	D	G	A	N
Basic Series Global Modular Compact Coalescing Filter P32FB		Thread Type BSPP 1 BSPT 2 NPT 9		Port Size 1/4 2 3/8 3 1/2 4		Mounting N No Bracket	
Element 0.01µ Element C 0.01µ Element with DPI D 1µ Element 9 1µ Element with DPI Q Adsorber A		Drain Type M Manual Drain A Auto Drain X Flex Drain		Bowl Type G Poly Bowl with Bowl Guard M Metal Bowl without Sight Gauge S Metal Bowl with Sight Gauge			

Most Popular



Material Specifications

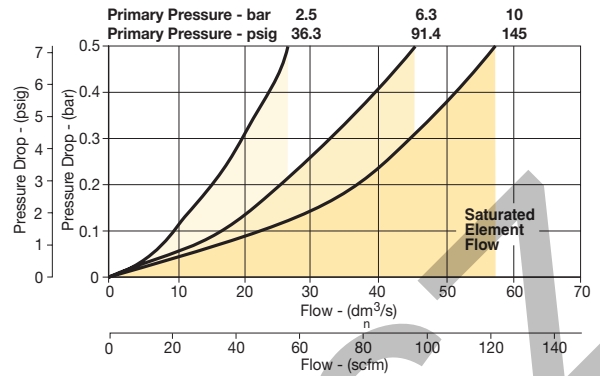
Body	Aluminum
Body cap	ABS
Plastic bowl	Polycarbonate
Metal bowl	Aluminum
Filter element	Borosilicate cloth
Adsorber	Activated carbon
Seals	Nitrile
Sight gauge	Nylon

Repair and Service Kits

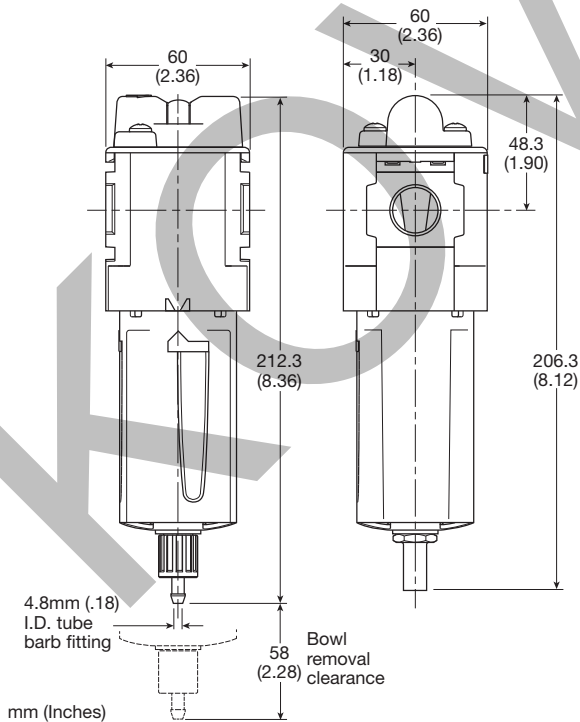
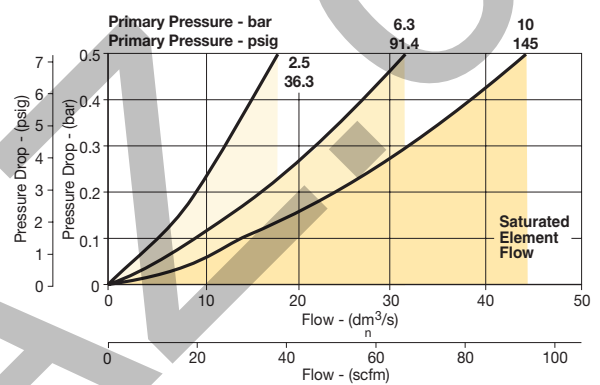
Plastic bowl / bowl guard, manual drain	P32KB00BGM
Metal bowl / sight gauge, manual drain	P32KB00BSM
Auto drain	P32KA00DA
1µ coalescing filter element	P32KA00ES9
0.01µ coalescing filter element	P32KA00ESC
Activated carbon adsorber filter element	P32KA00ESA
L-bracket (fits to body)	P32KA00ML
T-bracket (fits to body connector)	P32KA00MB
T-bracket with body connector	P32KA00MT
Body connector	P32KA00CB
Differential pressure indicator (replacement)	P32KA00RQ

Flow Charts

P32FB - 1.0 micron flow



P32FB - 0.01 micron flow



Manual Drain

Automatic Drain

Most Popular

