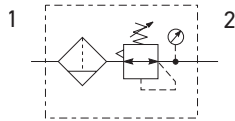


P31 Filter / Regulators – Mini

- Integral 1/4" ports (NPT, BSPP & BSPT)
- High efficiency 5 micron element as standard
- Excellent water removal efficiency
- Robust but lightweight aluminum construction
- Positive bayonet latch to ensure correct & safe fitting
- Secondary pressure ranges
- Secondary aspiration plus balanced poppet provides quick response and accurate pressure regulation



Port Size	Description (relieving)	Bowl / Drain Type †	Part Number
1/4"	125 psig (8 bar)	Poly / Manual	P31EB12EGMBNTP
1/4"	125 psig (8 bar)	Poly / Pulse	P31EB12EGBBNTP
1/4"	125 psig (8 bar)	Metal / Manual	P31EB12EMMBNTP
1/4"	125 psig (8 bar)	Metal / Pulse	P31EB12EMBBNTP

† For polycarbonate bowl, see caution in Engineering Section A.

Operating Information

Flow capacity*:	1/4	73 scfm (35 dm ³ /s, ANR)
Operating temperature‡:		
Plastic bowl		14°F to 125°F (-10°C to 52°C)
Metal bowl		14°F to 150°F (-10°C to 65.5°C)
Supply pressure (max):		
Plastic bowl		150 psig (10 bar)
Metal bowl		250 psig (17 bar)
Standard filtration		5 micron
Useful retention†:		0.4 US oz. (12 cm ³)
Adjusting range pressure:		
		0 to 30 psig (0 to 2 bar)
		0 to 60 psig (0 to 4 bar)
		0 to 125 psig (0 to 8 bar)
		0 to 250 psig (0 to 17 bar)
Gauge port (2 each)**:		1/8 NPT, BSPP, BSPT
Weight:		0.42 lb (0.19 kg)

* Inlet pressure 145 psig (10 bar). Secondary pressure 91.3 psig (6.3 bar) and 14.5 psig (1 bar) pressure drop.

**Non-gauge option only.

‡ Units with square gauges: 5°F to 150°F (-15°C to 65.5°C)

† Useful retention refers to volume below the quiet zone baffle.

Air quality: Within ISO 8573-1: 2010 Class 6 (Particulates)

Ordering Information:

P31EB		1	2	E	G	M	B	N	T	P																																															
Basic Series	Global Modular Mini Filter / Regulator	Thread Type	BSPP 1 BSPT 2 NPT 9	Element	5µ Element E	Port Size	1/4 2	Bowl Type	Poly Bowl with Bowl Guard G Metal Bowl without Sight Gauge M	Drain Type	Pulse Drain B Manual Drain M Flex Drain X	Adjustment	Non-Rising Knob N	Relief	Relieving B Non-Relieving N	Mounting	Plastic Panel Mount Nut P																																								
												Adjustment Range																																													
												<table border="1"> <thead> <tr> <th colspan="2">With Square Gauge</th> <th colspan="2">With Round Gauge</th> </tr> </thead> <tbody> <tr> <td>psig</td> <td>bar</td> <td>Z</td> <td>30 psig; 2 bar; 0.2 MPa</td> </tr> <tr> <td>1 = 30*</td> <td>V = 2*</td> <td>M</td> <td>60 psig; 4 bar; 0.4 MPa</td> </tr> <tr> <td>3 = 60</td> <td>S = 4</td> <td>G</td> <td>125 psig; 8 bar; 0.8 MPa</td> </tr> <tr> <td>5 = 125</td> <td>T = 8</td> <td>J[§]</td> <td>232 psig; 16 bar; 1.6 MPa</td> </tr> <tr> <td colspan="4">Without Gauge</td> </tr> <tr> <td></td> <td></td> <td>Y</td> <td>30 psig; 2 bar; 0.2 MPa</td> </tr> <tr> <td></td> <td></td> <td>L</td> <td>60 psig; 4 bar; 0.4 MPa</td> </tr> <tr> <td></td> <td></td> <td>N</td> <td>125 psig; 8 bar; 0.8 MPa</td> </tr> <tr> <td></td> <td></td> <td>H[§]</td> <td>232 psig; 16 bar; 1.6 MPa</td> </tr> </tbody> </table>		With Square Gauge		With Round Gauge		psig	bar	Z	30 psig; 2 bar; 0.2 MPa	1 = 30*	V = 2*	M	60 psig; 4 bar; 0.4 MPa	3 = 60	S = 4	G	125 psig; 8 bar; 0.8 MPa	5 = 125	T = 8	J [§]	232 psig; 16 bar; 1.6 MPa	Without Gauge						Y	30 psig; 2 bar; 0.2 MPa			L	60 psig; 4 bar; 0.4 MPa			N	125 psig; 8 bar; 0.8 MPa			H [§]	232 psig; 16 bar; 1.6 MPa				
With Square Gauge		With Round Gauge																																																							
psig	bar	Z	30 psig; 2 bar; 0.2 MPa																																																						
1 = 30*	V = 2*	M	60 psig; 4 bar; 0.4 MPa																																																						
3 = 60	S = 4	G	125 psig; 8 bar; 0.8 MPa																																																						
5 = 125	T = 8	J [§]	232 psig; 16 bar; 1.6 MPa																																																						
Without Gauge																																																									
		Y	30 psig; 2 bar; 0.2 MPa																																																						
		L	60 psig; 4 bar; 0.4 MPa																																																						
		N	125 psig; 8 bar; 0.8 MPa																																																						
		H [§]	232 psig; 16 bar; 1.6 MPa																																																						
												<p>* Regulator comes with gauge respective to the adjustment range selected.</p> <p>§ Not available with poly bowl with bowl guard.</p>																																													

Most Popular



Material Specifications

Body	Aluminum
Adjustment knob	Acetal
Body cap	ABS
Bonnet	PBT
Plastic bowl	Polycarbonate
Metal bowl	Aluminum
Bowl guard	Nylon
Filter element	Polyethylene
Seals	Nitrile
Springs	Steel
Valve assembly	Brass / Nitrile
Diaphragm assembly	Brass / Nitrile
Panel nut	Acetal

WARNING

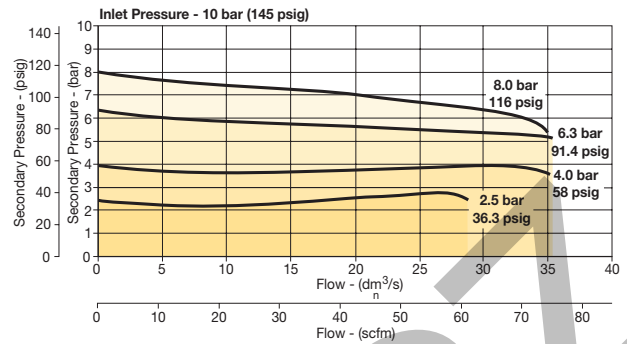
**Product rupture can cause serious injury.
Do not connect regulator to bottled gas.
Do not exceed Maximum primary pressure rating.**

CAUTION:

REGULATOR PRESSURE ADJUSTMENT - The working range of knob adjustment is designed to permit outlet pressures within their full range. Pressure adjustment beyond this range is also possible because the knob is not a limiting device. This is a common characteristic of most industrial regulators, and limiting devices may be obtained only by special design. For best performance, regulated pressure should always be set by increasing the pressure up to the desired setting.

Flow Charts

P31EB 1/4" Filter / Regulator



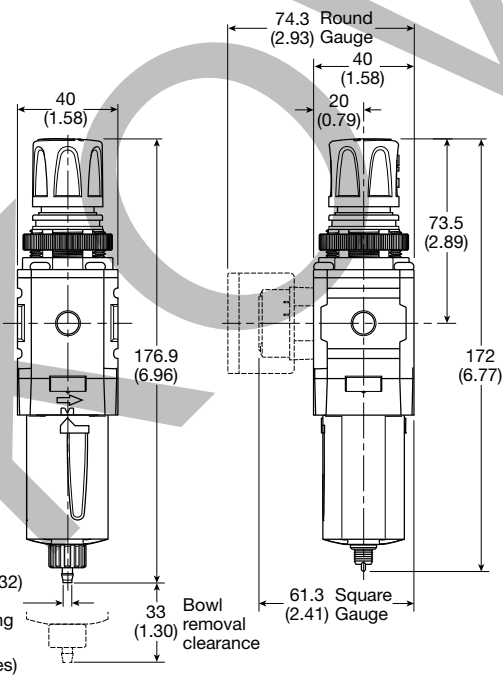
Repair and Service Kits

Plastic bowl / bowl guard manual drain	P31KB00BGM
Plastic bowl / bowl guard pulse drain	P31KB00BGB
Metal bowl / w/o sight gauge pulse drain	P31KB00BMB
5µ particle filter element	P31KA00ESE
Diaphragm repair kit - relieving	P31KB00RB
Diaphragm repair kit - non-relieving	P31KB00RC
Panel mount nut - aluminum	P31KA00MM
Panel mount nut - plastic	P31KA00MP
Angle bracket (attaches via panel nut)	P31KB00MR
C-bracket (fits to body)	P31KA00MW
T-bracket with body connector	P31KA00MT
Body connector	P31KA00CB

Gauges

Square flush mount gauge	0-4 bar	K4511SCR04B
	0-11 bar	K4511SCR11B
	0-60 psig	K4511SCR060
	0-160 psig	K4511SCR160
Square with adapter kit	0-4 bar	P6G-PR11040
	0-11 bar	P6G-PR11110
	0-60 psig	P6G-PR90060
	0-160 psig	P6G-PR90160
40mm Round 1/8" center back mount	0-60 psig / 0-4 bar	P3D-KAB1ALN
	0-140 psig / 0-10 bar	P3D-KAB1ANN
	0-300 psig / 0-20 bar	P3D-KAB1AHN

For best performance, regulated pressure should always be set by increasing the pressure up to the desired setting.



Manual Drain

Pulse Drain

Most Popular

