




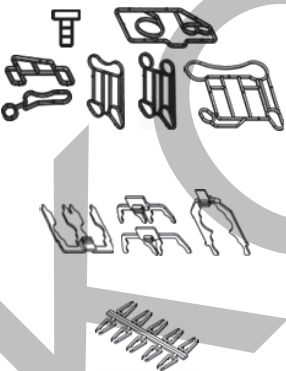


**Maintenance components**

	Valve pilot	Connection	Weight (g)	Order code
   P2D8V32C5 P2D2W3226C5 P2M2K0PA	Solenoid pilot	M8 - 3 Pins - IP67	15	<b>P2D8V32C5</b>
		Clip connector - 2 pins - IP40 With LED and voltage surge suppression	15	<b>P2D2W3226C5</b>
	Pneumatic pilot	4 mm OD tubing push-in elbow fitting	10	<b>P2M2K0PA</b>
<b>size 1 valve modules without solenoid pilot and without sub-base</b>			Weight (g)	Order code
 P2M1X4EE	<b>4/2</b>	monostable	26	<b>P2M1X4ES</b>
		bistable	25	<b>P2M1X4EE</b>
	<b>3/2</b>	double NC + NC	28	<b>P2M1XDDEE</b>
		double NO + NO	28	<b>P2M1XCEE</b>
		double NC + NO	28	<b>P2M1XEEE</b>
		single NC	25	<b>P2M1X3ES</b>
	<b>4/3 CE</b>	double 3/2 NC + NC without exhaust check valve	28	<b>P2M1XGEE</b>
	<b>size 2 valve modules without solenoid pilot and without sub-base</b>			Weight (g)
 P2M2X4EE	<b>4/2</b>	monostable	28	<b>P2M2X4ES</b>
		bistable	30	<b>P2M2X4EE</b>
	<b>3/2</b>	double NC + NC	32	<b>P2M2XDDEE</b>
		double NO + NO	32	<b>P2M2XCEE</b>
		double NC + NO	32	<b>P2M2XEEE</b>
		single NC	28	<b>P2M2X3ES</b>
	<b>4/3 CE</b>	double 3/2 NC + NC without exhaust check valve	32	<b>P2M2XGEE</b>
	<b>Set of maintenance parts</b>			Weight (g)
	Seals	Set of various seals: 3 under solenoid pilot seals 3 inter island base seals 2 for dual 4/2 valves (2 parts) 2 for single and dual 3/2 – Size 1 – valves 2 for single 4/2 – Size 1 – valves 2 for size 2 valves (all functions)	8	<b>P2M2K0JA</b>
	Fitting locking clips	Set of 14 clips: 4 for dual 4/2 valves 6 for size 1 valves 2 for size 2 valves 2 for intermediate supply modules	10	<b>P2M2K0CA</b>
	Manual override forks	Set of 10 isolating forks for pilot solenoid manual override	8	<b>P2M2K0FA</b>