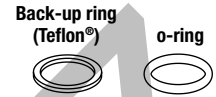


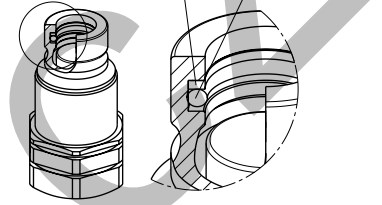


SPARE KIT SEAL FOR MALE

Repair kit / OR+BK			
Body Size	Description		Part Number
	OLD	NEW	
1/4"	M FIRG14	M FIRG7	815700519
3/8"	M FIRG38-12	M FIRG9	815700337
1/2"	M FIRG12A-34	M FIRG13	815700339
5/8"	M FIRG34B	M FIRG15	815700341
3/4"	M FIRG100-34A	M FIRG17	815700343
1"	M FIRG114	8M FIRG21	815700345
1-1/2"	M FIRG112	M FIRG30	815700521
2"	M FIRG200	M FIRG45	815700796



O-Ring in Nitrile
BackUp in Teflon®



PROTECTIVE CAPS FOR FIRG SERIES

Protective caps are always recommended to protect the couplings from damage, dirt inclusion, and will increase the product life. This is particularly important in mobile applications where exposure to weather and aggregate materials are common.

For the FIRG series are available three kind of materials:

- plastic caps with lanyard (standard color: red, other colors available upon request)
- aluminum caps with lanyard (standard colors: natural aluminum, other colors available upon request)
- plastic caps, clip system (standard color: red, other colors available upon request)

		Protective Cap					
Body Size	Port Size	Description		Part number		Material/Color	
		OLD	NEW	Cap for Female	Cap for Male		
1/4"	1/4"	FIRG14	FIRG7	815100000	815100023	Plastic/Red	
3/8"	3/8"	FIRG38	FIRG9	815100002	815100025	Plastic/Red	
3/8"	1/2"	FIRG12	FIRG9	815100002	815100027	Plastic/Red	
1/2"	1/2"	FIRG12A	FIRG13	815100004	815100029	Plastic/Red	
1/2"	3/4"	FIRG34	FIRG13	815100006	815100031	Plastic/Red	
5/8"	3/4"	FIRG34B	FIRG15	815100008	815100011	Plastic/Red	
3/4"	3/4"	FIRG34A	FIRG17	815100010	815100013	Plastic/Red	
3/4"	1"	FIRG100	FIRG17	815100010	815100013	Plastic/Red	
1"	1-1/4"	FIRG114	FIRG114	815100012	815100015	Plastic/Red	

		Protective Cap					
Body Size	Description	Part Number		Material/Color			
		OLD	NEW		Cap for Female	Cap for Male	
1/4"	FIRG14	FIRG7	816005002	816005003	Aluminum/Natural		
3/8"	FIRG38-12	FIRG9	816005004	816005005	Aluminum/Natural		
1/2"	FIRG12A-34	FIRG13	816005006	816005007	Aluminum/Natural		
3/4"	FIRG100-34A	FIRG17	816005010	816005011	Aluminum/Natural		
1"	FIRG114	FIRG21	816005012	816005013	Aluminum/Natural		
1-1/2"	FIRG112	FIRG30	815105014	815105017	Aluminum/Natural		
2"	FIRG200	FIRG45	815105016	815105019	Aluminum/Natural		

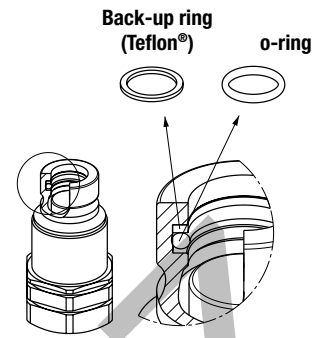
		Protective Cap			
Body Size	Description	Part Number		Material/Color	
		OLD	NEW		Cap for Female
3/8"	FIRG38-12	FIRG9	816005002	Aluminum/Natural	
1/2"	FIRG12A-34	FIRG13	816005004	Aluminum/Natural	
5/8"	FIRG34B	FIRG15	816005006	Aluminum/Natural	
3/4"	FIRG100-34A	FIRG17	816005010	Aluminum/Natural	



SPARE KIT SEAL FOR MALE

Repair kit / OR+BK		
Body Size	Description	Part Number
1/4"	MA7	815700519
3/8"	MA9	815700337
1/2"	MA13	815700339
5/8"	MA15	815700341
3/4"	MA17	815700343
1"	MA21	815700345
1 1/4"	MA25	815700693
1 1/2"	MA30	815700521

O-Ring in Nitrile
BackUp in Teflon®

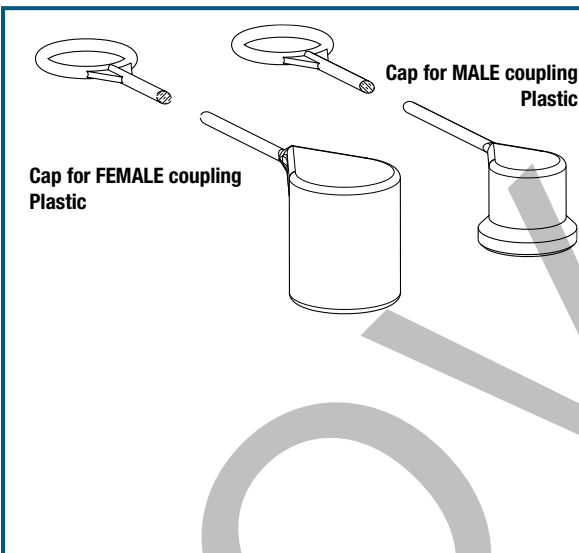


PROTECTIVE CAPS FOR A SERIES

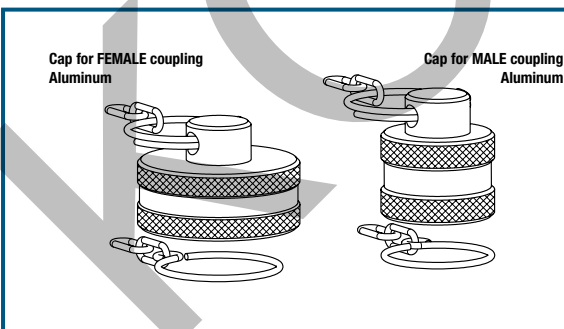
Protective caps are always recommended to protect the couplings from damage, dirt inclusion, and will increase the product life. This is particularly important in mobile applications where exposure to weather and aggregate materials are common.

For the A series are available three kind of materials:

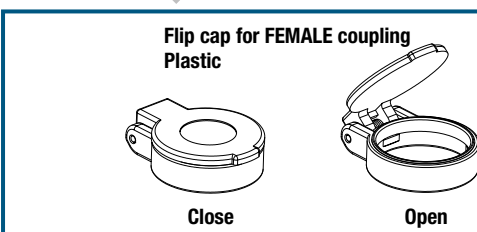
- plastic caps complete with lanyard (standard color: red, other colors available upon request)
- aluminum caps complete with lanyard (standard colors: natural aluminum, other colors available upon request)
- plastic caps, clip system (standard color: red, other colors available upon request)



Body Size	Port size	Description	Protective Cap		Material/Color
			Cap for Female	Cap for Male	
1/8"	1/8"	A4	-	815100021	Plastic/Red
1/4"	1/4"	A7	815100000	815100023	Plastic/Red
3/8"	3/8"	A9	815100002	815100027	Plastic/Red
3/8"	1/2"	A9	815100002	815100027	Plastic/Red
1/2"	1/2"	A13	815100006	815100031	Plastic/Red
1/2"	3/4"	A13	815100006	815100031	Plastic/Red
5/8"	3/4"	A15	815100008	815100011	Plastic/Red
5/8"	1"	A15	815100008	815100011	Plastic/Red
3/4"	3/4"	A17	815100010	815100013	Plastic/Red
3/4"	1"	A17	815100010	815100013	Plastic/Red
1"	3/4"	A21	815100012	815100015	Plastic/Red
1"	1"	A21	815100012	815100015	Plastic/Red
1"	1-1/4"	A21	815100012	815100015	Plastic/Red
1"	1-1/4"	A21	815100012	815100015	Plastic/Red



Body Size/Description	Protective Cap		Material/Color
	Cap for Female	Cap for Male	
1/4" A7	816005002	816005003	Aluminum/Natural
3/8" A9	816005004	816005005	Aluminum/Natural
1/2" A13	816005006	816005007	Aluminum/Natural
3/4" A17	816005010	816005011	Aluminum/Natural
1" A21	816005012	816005013	Aluminum/Natural
1 1/4" A25	815205020	815205021	Aluminum/Natural
1 1/2" A30	815105014	815105017	Aluminum/Natural



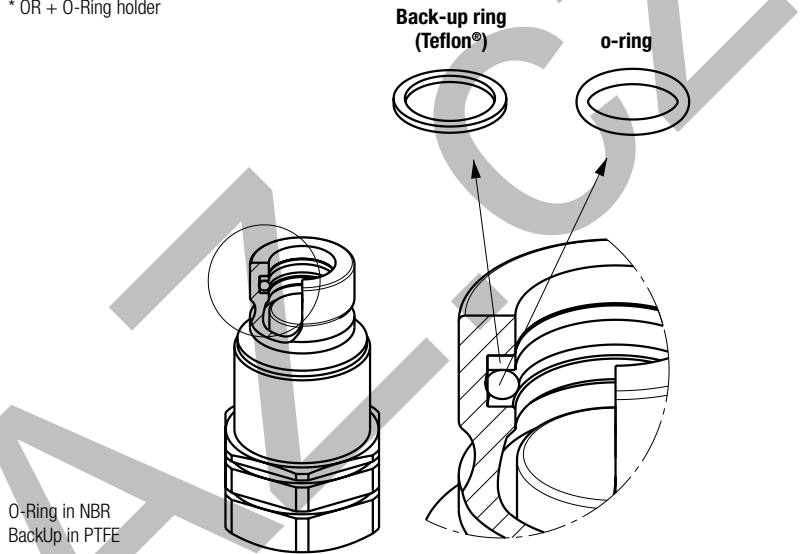
Body Size/Description	Protective Cap		Material/Color
	Cap for Female		
3/8" FA9	815200002		Plastic/Red
1/2" FA13	815200004		Plastic/Red
5/8" FA15	815200006		Plastic/Red
3/4" FA17	815200008		Plastic/Red



SPARE KIT SEAL FOR MALE

Repair kit / OR+BK		
Body Size	Description	Part Number
3/8"	M APM9	815700337
1/2"	M APM13	815700339
5/8"	M APM15	815700341
3/4"	M APM17	815700655
1"	M APM21	815700345
1 1/2"	M APM30	815700697*

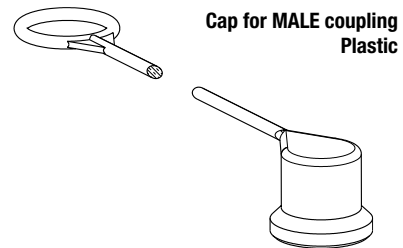
* OR + O-Ring holder



PROTECTIVE CAPS FOR APM SERIES

Protective caps are always recommended to protect the couplings from damage, dirt inclusion, and will increase the product life. This is particularly important in mobile applications where exposure to weather and aggregate materials are common.

The protection caps for APM couplings are manufactured in plastic with connection lanyard (standard color red, other colors available upon request).



Protective Cap				
Body Size	Port size	Description	Part number	Material/Color
3/8"	3/8"	M APM9	815100025	Plastic/Red
3/8"	1/2"	M APM9	815100027	Plastic/Red
1/2"	1/2"	M APM13	815100029	Plastic/Red
1/2"	3/4"	M APM13	815100031	Plastic/Red
5/8"	3/4"	M APM15	815100011	Plastic/Red
3/4"	1"	M APM17	815100013	Plastic/Red
1"	1-1/4"	M APM21	815100015	Plastic/Red
1-1/2"	1-1/4"	M APM30	815100017	Plastic/Red

Panel mounting

A-HD Series is available upon request also as panel mounting version.

BC: Snap Ring Solution
Grooves on the female sleeve.

BR: Snap Ring Solution
Grooves on the female adaptor.

BT: Lock Ring Solution
Thread on the female body.

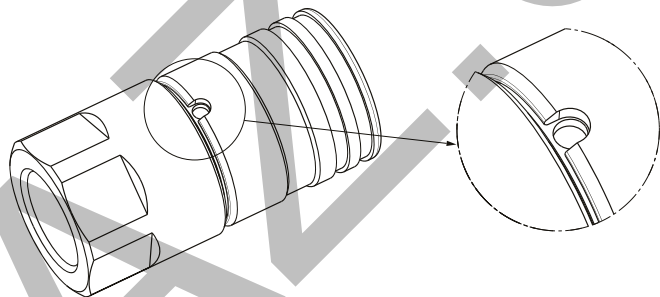
For specific codes, dimensions or any other information, please contact Stucchi Technical Support.

Using the BC and BT versions mounted on the panel, you obtain the breakaway function, avoiding damages of the hydraulic connections in case of strong axial force during unintended disconnection.


SS version

For specific cases, A-HD Series is available upon request without the safety lock ball.

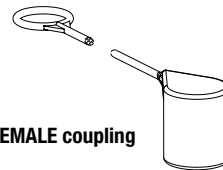
For additional information, please contact Stucchi Technical Support.


PROTECTIVE CAPS FOR A-HD SERIES

Protective caps are always recommended to protect the couplings from damage, dirt inclusion, and will increase the product life. This is particularly important in mobile applications where exposure to weather and aggregate materials are common.

The protective caps for A-HD couplings are manufactured in two versions:

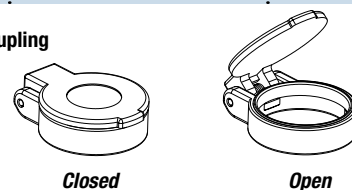
- Plastic with connection lanyard (standard color red, other colors available upon request).
- Plastic flip caps version (standard color red, other colors available upon request).



Cap for FEMALE coupling
Plastic

Body Size/Description		Part Number	Material/Color
		Protective Cap	
		Cap for Female	
3/8"	F A9HD	815100002	Plastic/Red
1/2"	F A13HD	815100004	Plastic/Red

Flip cap for FEMALE coupling
Plastic



Closed

Open

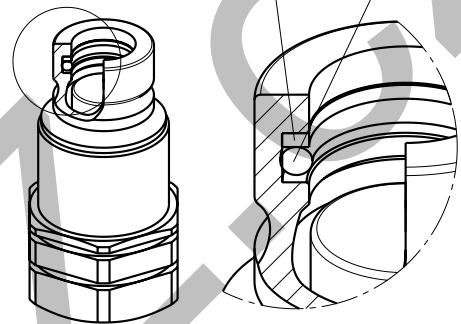
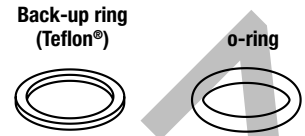
Body Size/Description		Part Number	Material/Color
		Protective Cap	
		Cap for Female	
3/8"	A9HD	815200002	Plastic/Red
1/2"	A13HD	815200004	Plastic/Red





SPARE KIT SEAL FOR MALE

Repair kit / OR+BK		
Body Size	Description	Part Number
3/8"	M AX9	815700247
1/2"	M AX13	815700249
3/4"	M AX17	815700253
1"	M AX21	815700255



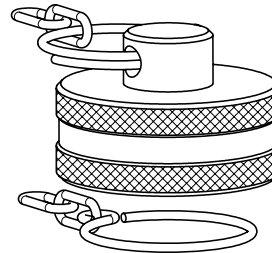
O-Ring in FKM (VITON®)
BackUp in Teflon®

PROTECTIVE CAPS FOR AX SERIES

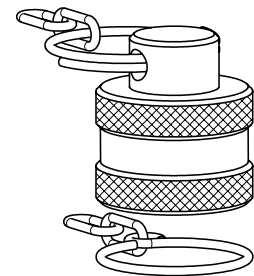
Protective caps are always recommended to protect the couplings from damage, dirt inclusion, and will increase the product life. This is particularly important in mobile applications where exposure to weather and aggregate materials are common.

The protective caps for AX couplings are manufactured in aluminum with lanyard (colors: natural aluminum).

Cap for FEMALE coupling
Aluminum



Cap for MALE coupling
Aluminum



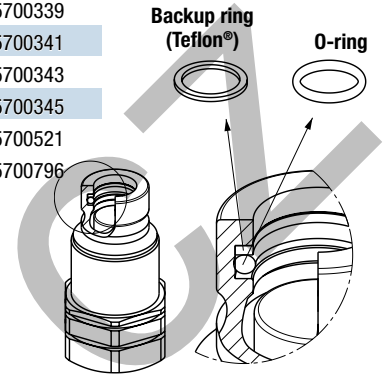
Body Size/Description	Protective Cap		Material/Color
	Cap for Female	Cap for Male	
3/8" AX9	816005004	816005005	Aluminum/Natural
1/2" AX13	816005006	816005007	Aluminum/Natural
3/4" AX17	816005010	816005011	Aluminum/Natural
1" AX21	816005012	816005013	Aluminum/Natural

The protective caps for AX couplings are also available in plastic (see A series caps at page 39).



SPARE KIT SEAL FOR MALE

Body Size	Repair kit / OR+BK		Part Number
	Description		
	OLD	NEW	
1/4"	M FIRG14Q	M FIRG7Q	815700519
3/8"	M FIRG38Q-12Q	M FIRG9Q	815700337
1/2"	M FIRG12AQ-34Q	M FIRG13Q	815700339
5/8"	M FIRG34BQ	M FIRG15Q	815700341
3/4"	M FIRG100Q	M FIRG17Q	815700343
1"	M FIRG114Q	M FIRG21Q	815700345
1 1/2"	M FIRG112Q	M FIRG30Q	815700521
2"	M FIRG200Q	M FIRG45Q	815700796



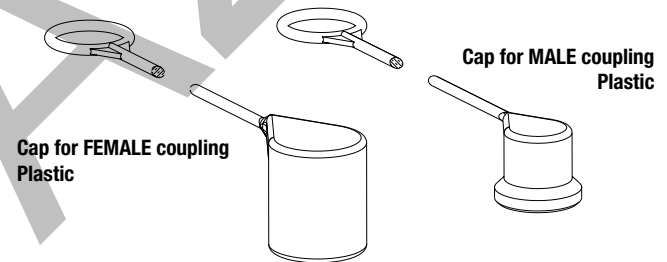
O-Ring in Nitrile
BackUp in Teflon®

PROTECTIVE CAPS FOR FIRG-Q SERIES

Protective caps are always recommended to protect the couplings from damage, dirt inclusion, and will increase the product life.

For the FIRG-Q series are available two kind of materials:

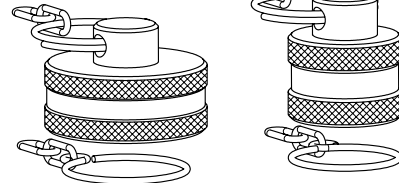
- Plastic caps with lanyard (standard color: red, other colors available upon request)
- aluminum caps with lanyard (standard colors: natural aluminum, other colors available upon request)



Body Size	Description		Part Number		Material/Color
	OLD	NEW	Cap for Female	Cap for Male	
	1/4"	FIRG14Q	FIRG7Q	815100000	
3/8"	FIRG38Q-12Q	FIRG9Q	815100002	815100027	Plastic/Red
1/2"	FIRG12AQ-34Q	FIRG13Q	815100006	815100031	Plastic/Red
5/8"	FIRG34BQ	FIRG15Q	815100008	815100011	Plastic/Red
3/4"	FIRG100Q	FIRG17Q	815100010	815100013	Plastic/Red
1"	FIRG114Q	FIRG21Q	815100012	815100015	Plastic/Red

Cap for FEMALE coupling
Aluminum

Cap for MALE coupling
Aluminum



Body Size	Description		Part Number		Material/Color
	OLD	NEW	Cap for Female	Cap for Male	
	1/4"	FIRG14Q	FIRG7Q	816005002	
3/8"	FIRG38Q-12Q	FIRG9Q	816005004	816005005	Aluminum/Natural
1/2"	FIRG12AQ-34Q	FIRG13Q	816005006	816005007	Aluminum/Natural
5/8"	FIRG34BQ	FIRG15Q	816005008	816005009	Aluminum/Natural
3/4"	FIRG100Q	FIRG17Q	816005010	816005011	Aluminum/Natural
1"	FIRG114Q	FIRG21Q	816005012	816005013	Aluminum/Natural

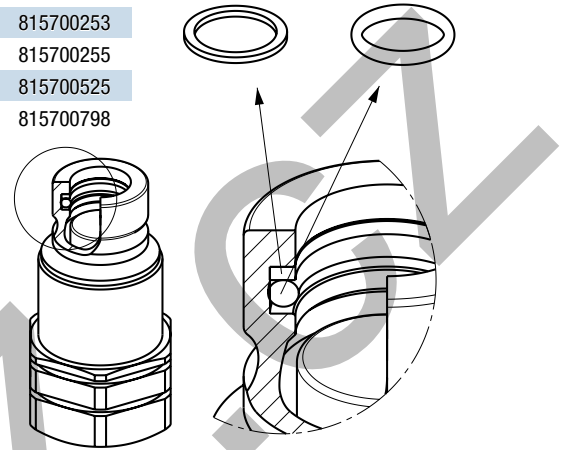


SPARE KIT SEAL FOR MALE

Repair kit / OR+BK		
Body Size	Description	Part Number
3/8"	M FL9	815700247
1/2"	M FL13	815700249
5/8"	M FL15	815700251
3/4"	M FL17	815700253
1"	M FL21	815700255
1-1/2"	M FL30	815700525
2"	M FL45	815700798

Back-up ring (Teflon®) o-ring

O-Ring in FKM (VITON®)
BackUp in Teflon®



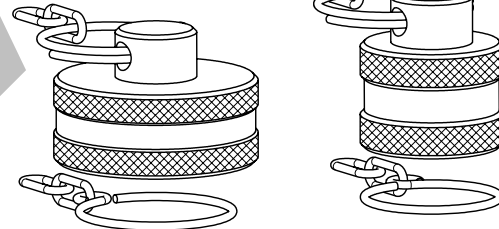
PROTECTIVE CAPS FOR FL SERIES

Protective caps are always recommended to protect the couplings from damage, dirt inclusion, and will increase the product life. This is particularly important in mobile applications where exposure to weather and aggregate materials are common.

The protective caps for FL couplings are manufactured in aluminum with lanyard (colors: natural aluminum).

Cap for FEMALE coupling
Aluminum

Cap for MALE coupling
Aluminum



Body Size/Description	Protective Cap		Material/Color
	Part Number	Part Number	
	Cap for Female	Cap for Male	
1/4" FL7	816005002	816005003	Aluminum/Natural
3/8" FL9	816005004	816005005	Aluminum/Natural
1/2" FL13	816005006	816005007	Aluminum/Natural
5/8" FL15	816005008	816005009	Aluminum/Natural
3/4" FL17	816005010	816005011	Aluminum/Natural
1" FL21	816005012	816005013	Aluminum/Natural
1-1/2" FL30	815105014	815105017	Aluminum/Natural
2" FL45	815105016	815105019	Aluminum/Natural

The protective caps for FL couplings are also available in plastic (see A series caps at page 39).

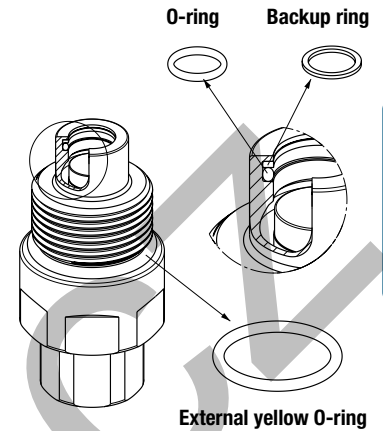


SPARE KIT SEAL FOR MALE

Repair kit / OR+BK+EXTERNAL OR		
Body Size	Description	Part Number
1/4"	M VEP7	815700735
3/8"	M VEP9P	815700736
1/2"	M VEP13P	815700737
5/8"	M VEP15P	815700738
3/4"	M VEP17P	815700739
1"	M VEP21P	815700740
1-1/2"	M VEP30P*	815700741
2"	M VEP45P	815700728

* OR + O-Ring holder

O-Ring in Nitrile
BackUp in Teflon®



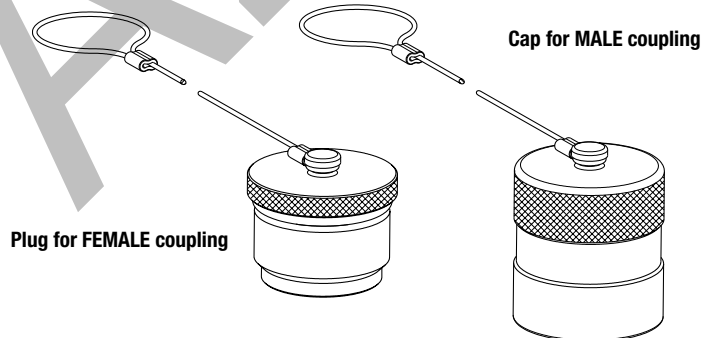
PROTECTIVE CAPS FOR VEP-P SERIES

Protective caps are always recommended to protect the couplings from damage, dirt inclusion, and will increase the product life. This is particularly important in mobile applications where exposure to weather and aggregate materials are common.

For VEP-P two solutions are available:

- threaded aluminum cap with lanyard (standard colors: natural aluminum, other colors available upon request)
- threaded plastic cap with lanyard (standard color black).

Caps and plugs are also available without lanyard, upon request.



Body Size/Description	Protective Cap		Material/Color
	Part Number	Part Number	
	Plug for Female	Cap for Male	
1/4" VEP7	815305070	815305071	Aluminum/Natural
3/8" VEP9	815305072	815305073	Aluminum/Natural
1/2" VEP13	815305074	815305075	Aluminum/Natural
5/8" VEP15	815305076	815305077	Aluminum/Natural
3/4" VEP17	815305078	815305079	Aluminum/Natural
1" VEP21	815305080	815305081	Aluminum/Natural
1-1/2" VEP30	815305082	815305083	Aluminum/Natural
2" VEP45	815305042	815305043	Aluminum/Natural

Body Size/Description	Protective Cap		Material/Color
	Part Number	Part Number	
	Plug for Female	Cap for Male	
1/2" VEP13	815303128	815303129	Plastic/Black
5/8" VEP15	815303130	815303131	Plastic/Black
3/4" VEP17	815303132	815303133	Plastic/Black
1" VEP21	815303134	815303135	Plastic/Black
1-1/2" VEP30	815303136	815303137	Plastic/Black



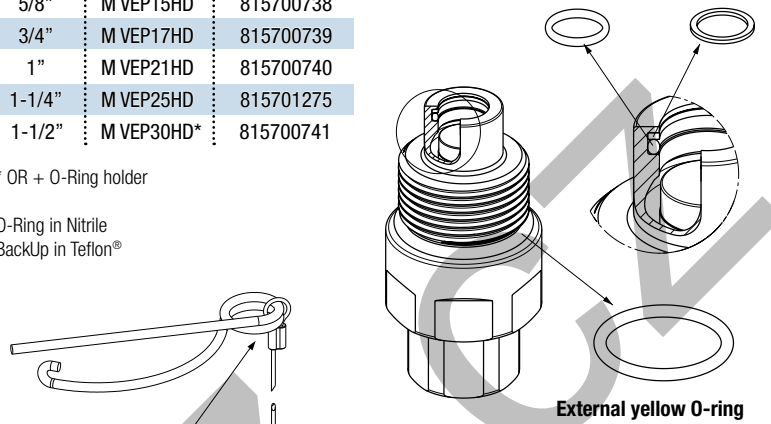
SPARE KIT SEAL & KIT COTTER

Repair kit / OR+BK+EXTERNAL OR		
Body Size	Description	Part Number
5/8"	M VEP15HD	815700738
3/4"	M VEP17HD	815700739
1"	M VEP21HD	815700740
1-1/4"	M VEP25HD	815701275
1-1/2"	M VEP30HD*	815700741

*OR + O-Ring holder

O-Ring in Nitrile
BackUp in Teflon®

O-ring Backup ring



Kit Cotter VEP-HDL version		
Body Size	Description	Part Number

Ask to sales department

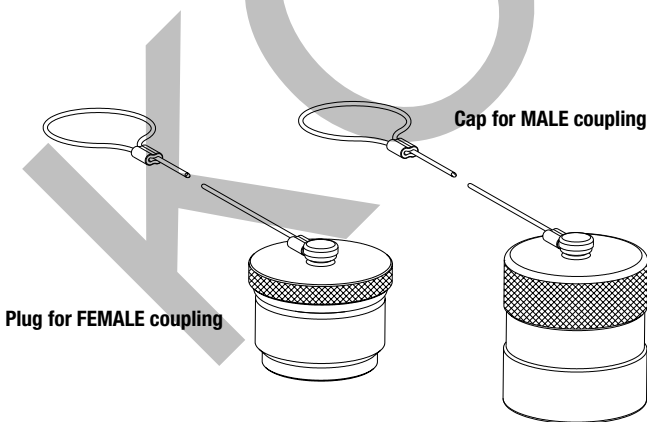
PROTECTIVE CAPS FOR VEP-HD SERIES

Protective caps are always recommended to protect the couplings from damage, dirt inclusion, and will increase the product life. This is particularly important in mobile applications where exposure to weather and aggregate materials are common.

Two solutions are available.

- threaded aluminum caps with lanyard (standard colors: natural aluminum, other colors available upon request)
- threaded plastic caps with lanyard (standard color black).

Caps and plugs are also available without lanyard, upon request.



Protective Cap				
Body Size/Description :		Part Number		Material/Color
		Plug for Female	Cap for Male	
5/8"	VEP15	815305076	815305077	Aluminum/Natural
3/4"	VEP17	815305078	815305079	Aluminum/Natural
1"	VEP21	815305080	815305081	Aluminum/Natural
1-1/4"	VEP25	815305148	815305149	Aluminium/Natural
1-1/2"	VEP30	815305082	815305083	Aluminum/Natural

Protective Cap				
Body Size/Description :		Part Number		Material/Color
		Plug for Female	Cap for Male	
5/8"	VEP15	815303130	815303131	Plastic/Black
3/4"	VEP17	815303132	815303133	Plastic/Black
1"	VEP21	815303134	815303135	Plastic/Black
1-1/4"	VEP25	815303150	815303151	Plastic/Black
1-1/2"	VEP30	815303136	815303137	Plastic/Black

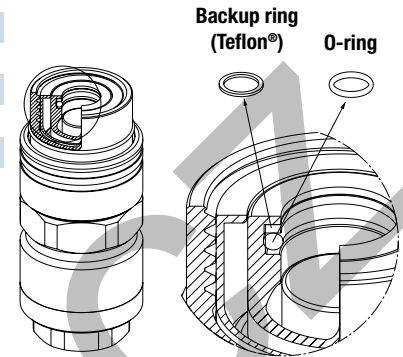


SPARE KIT SEAL FOR MALE

Repair kit / OR+BK		
Body Size	Description	Part Number
1/4"	M VP7	815700519
3/8"	M VP9P	815701096
1/2"	M VP13P	815700339
5/8"	M VP15P	815700341
3/4"	M VP17P	815700655
1"	M VP21P	815700345
1-1/2"	M VP30P*	815700697

* Kit replacement O-Ring Holder + O-Ring

O-Ring in NBR
BackUp in Teflon®

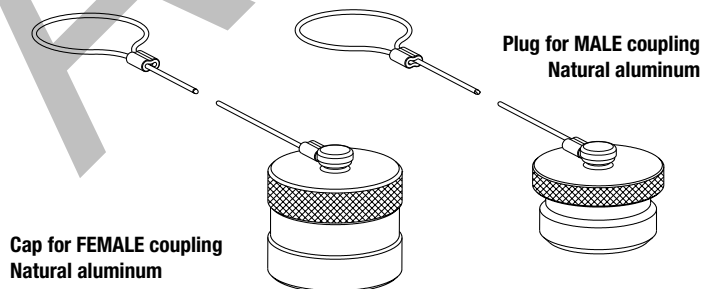


PROTECTIVE CAPS FOR VP-P SERIES

Protective caps are always recommended to protect the couplings from damage, dirt inclusion, and will increase the product life. This is particularly important in mobile applications where exposure to weather and aggregate materials are common.

For the VP-P series aluminum screw caps complete with lanyard are available (standard colors: natural aluminum, other colors available upon request).

Caps and plugs are also available without lanyard, upon request.

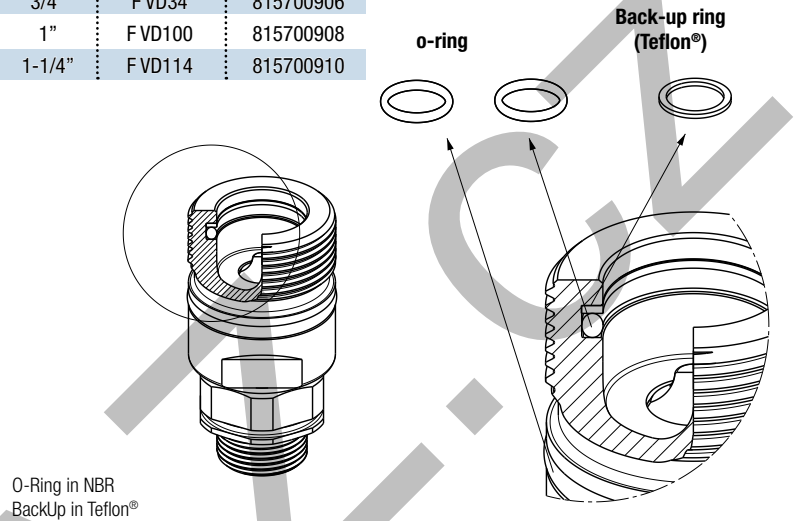


Body Size/Description	Protective Cap		Material/Color
	Cap for Female	Plug for Male	
1/4" VP7	815305050	815305051	Aluminum/Natural
3/8" VP9P	815305052	815305053	Aluminum/Natural
1/2" VP13P	815305054	815305055	Aluminum/Natural
5/8" VP15P	815305056	815305057	Aluminum/Natural
3/4" VP17P	815305058	815305059	Aluminum/Natural
1" VP21P	815305060	815305061	Aluminum/Natural
1-1/2" VP30P	815305062	815305063	Aluminum/Natural



SPARE KIT SEAL FOR FEMALE

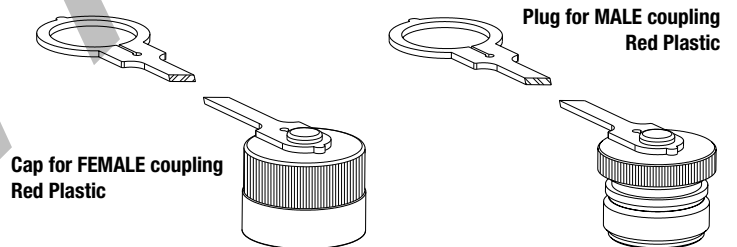
Repair kit / OR+BK		
Body Size	Description	Part Number
1/4"	FVD14	815700900
3/8"	FVD38	815701151
1/2"	FVD12	815700904
3/4"	FVD34	815700906
1"	FVD100	815700908
1-1/4"	FVD114	815700910



O-Ring in NBR
BackUp in Teflon®

PROTECTIVE CAPS FOR VD SERIES

Protective caps are always recommended to protect the couplings from damage, dirt inclusion, and will increase the product life. This is particularly important in mobile applications where exposure to weather and aggregate materials are common. The protective caps for VD couplings are manufactured in plastic with connection lanyard (standard color red).



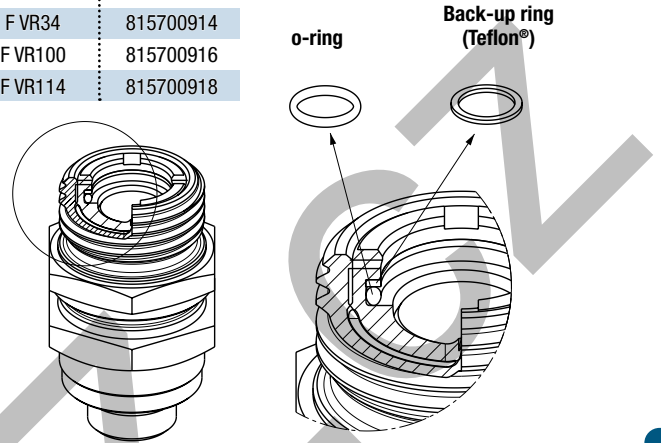
Body Size/Description	Protective Cap		Material/Color
	Cap for Female	Plug for Male	
1/4" VD14	814900000	814900001	Plastic/Red
3/8" VD38	814900002	814900003	Plastic/Red
1/2" VD12	814900004	814900005	Plastic/Red
3/4" VD34	814900006	814900007	Plastic/Red
1" VD100	814900016	814900017	Plastic/Red
1-1/4" VD114	814900018	814900019	Plastic/Red



SPARE KIT SEAL FOR FEMALE

Repair kit / OR+BK		
Body Size	Description	Part Number
3/8"	F VR38	815700902
1/2"	F VR12	815700912
3/4"	F VR34	815700914
1"	F VR100	815700916
1-1/4"	F VR114	815700918

O-Ring in NBR
BackUp in Teflon®



PROTECTIVE CAPS FOR VR SERIES

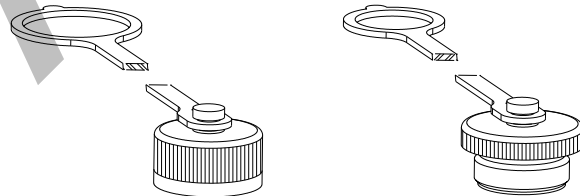
Protective caps are always recommended to protect the couplings from damage, dirt inclusion, and will increase the product life. This is particularly important in mobile applications where exposure to weather and aggregate materials are common.

Are available two models of protection caps for VR couplings:

- manufactured in plastic with connection lanyard (standard color: red, other colors available upon request)
- manufactured in aluminum screw caps with lanyard (standard color aluminum)

Cap for FEMALE coupling
Red Plastic

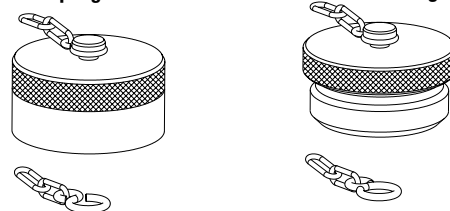
Plug for MALE coupling
Red Plastic



Body Size		Protective Cap		Material/Color
		Cap for Female	Plug for Male	
3/8"	VR38	814900012	814900013	Plastic/Red
1/2"	VR12	814900014	814900015	Plastic/Red

Cap for FEMALE coupling
Aluminum

Plug for MALE coupling
Aluminum



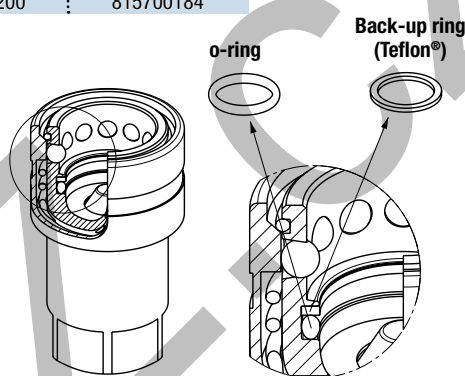
Body Size		Protective Cap		Material/Color
		Cap for Female	Plug for Male	
3/4"	VR34	814906016	814906017	Aluminum/Natural
1"	VR100	814906018	814906019	Aluminum/Natural
1-1/4"	VR114	814906020	814906021	Aluminum/Natural



SPARE KIT SEAL FOR FEMALE

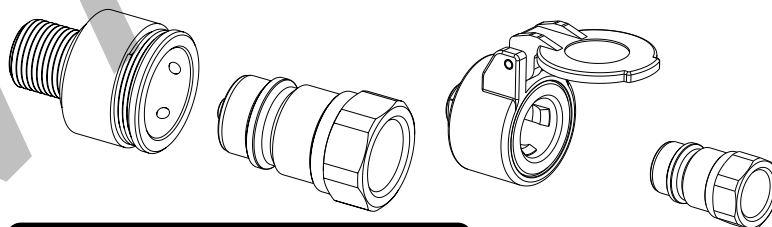
Repair kit / OR (+BK)		
Body Size	Description	Part Number
1/4"	F BIR14	815700170
3/8"	F BIR38	815700172
1/2"	F BIR12	815700174
3/4"	F BIR34	815700176
1"	F BIR100	815700178
1-1/4"	F BIR114	815700180
1-1/2"	F BIR112	815700182
2"	F BIR200	815700184

O-Ring in Nitrile
BackUp in Teflon®



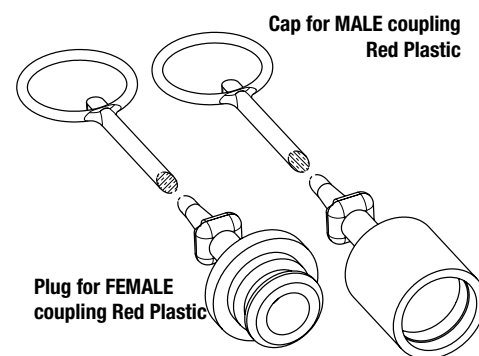
PARKING STATION FOR MALE

Parking station only (male coupling not included)		
Body Size	Description	Part Number
1/2"	PARK STATION FOR MALE BIR12	815515003
1/2"	PARK STATION PLASTIC FOR MALE BIR12	815515005



PROTECTIVE CAPS FOR BIR SERIES

Protective caps are always recommended to protect the couplings from damage, dirt inclusion, and will increase the product life. This is particularly important in agriculture applications where exposure to weather and aggregate materials are common. The protective caps for BIR series are manufactured in with connection lanyard (standard color red, other colors available upon request).



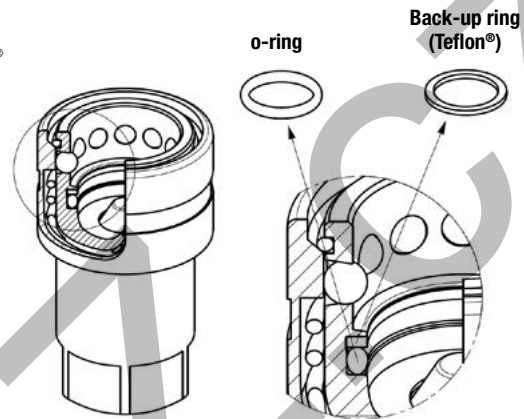
Body Size/Description		Protective Cap		Material/Color
		Plug for Female	Cap for Male	
1/4"	BIR14	815000012	815000013	Plastic/Red
3/8"	BIR38	815000014	815000015	Plastic/Red
1/2"	BIR12	815000004	815000005	Plastic/Red
3/4"	BIR34	815000016	815000017	Plastic/Red
1"	BIR100	815000018	815000019	Plastic/Red



SPARE KIT SEAL FOR FEMALE

Repair kit / OR+BK		
Body Size	Description	Part Number
1/4"	F IP14D	815700924
3/8"	F IP38	815700926
1/2"	F IP12	815700928
3/4"	F IP34	815700930
1"	F IP100	815700932

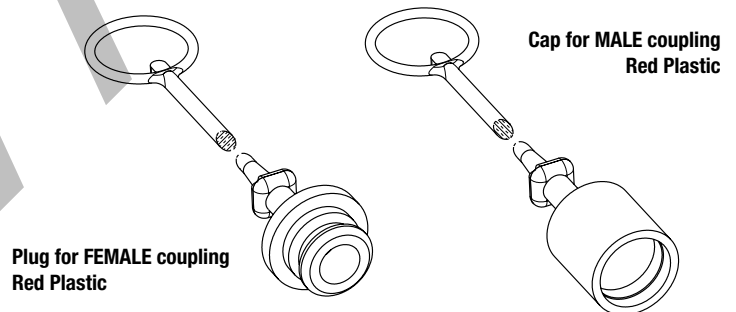
O-Ring in NBR
BackUp in Teflon®



PROTECTIVE CAPS FOR I-IP SERIES

Protective caps are always recommended to protect the couplings from damage, dirt inclusion, and will increase the product life. This is particularly important in agriculture applications where exposure to weather and aggregate materials are common.

The protective caps for I-IP series are manufactured in plastic with connection lanyard (standard color red, other colors available upon request). A flip cap version is also available for the size 1/2".

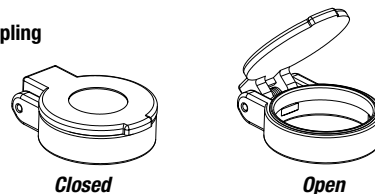


Plug for FEMALE coupling
Red Plastic

Cap for MALE coupling
Red Plastic

Body Size/Description	Protective Cap		Material/Color
	Plug for Female	Cap for Male	
3/8" IP38	815000014	815000015	Plastic/Red
1/2" IP12	815000004	815000005	Plastic/Red
3/4" IP34	815000016	815000017	Plastic/Red
1" IP100	815000018	815000019	Plastic/Red

Flip cap for FEMALE coupling
Plastic



Closed

Open

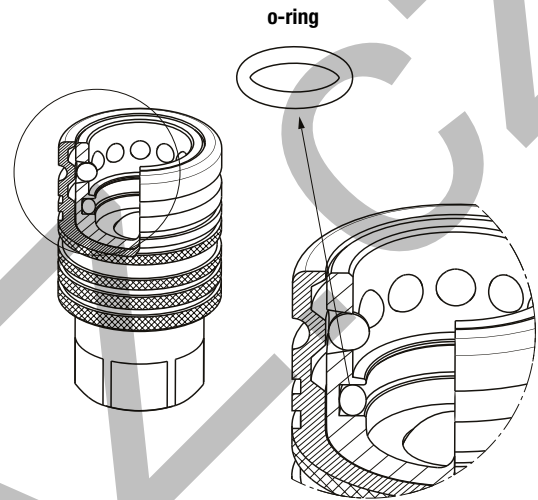
Body Size/Description	Protective Cap		Material/Color
	Plug for Female	Part Number	
1/2" IP12	815200004		Plastic/Red



SPARE KIT SEAL FOR FEMALE

Repair kit / OR		
Body Size	Description	Part Number
1/4"	F IR14	815700348
3/8"	F IR38	815700350
1/2"	F IR12	815700352
3/4"	F IR34	815700354
3/4"	F IR34 FA	815700734
1"	F IR100	815700356

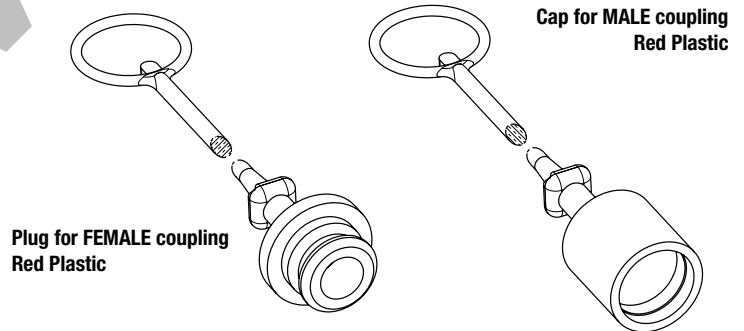
O-Ring in NBR



PROTECTIVE CAPS FOR IR SERIES

Protective caps are always recommended to protect the couplings from damage, dirt inclusion, and will increase the product life. This is particularly important in agriculture applications where exposure to weather and aggregate materials are common.

The protective caps for IR series are manufactured in plastic with connection lanyard (standard color red, other colors available upon request).



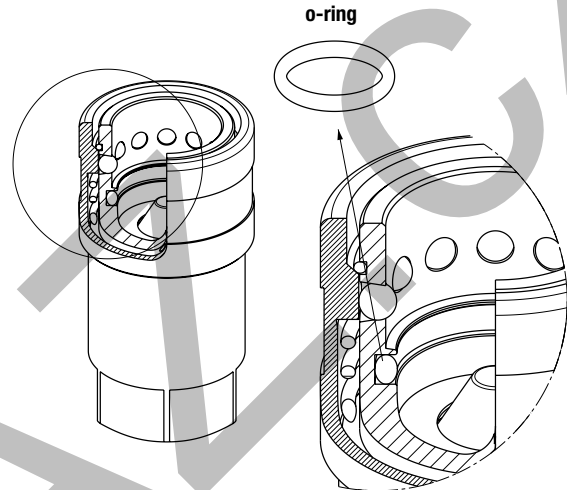
Body Size/Description	Protective Cap		Material/Color
	Plug for Female	Cap for Male	
1/4" IR14	815000000	815000001	Plastic/Red
3/8" IR38	815000002	815000003	Plastic/Red
1/2" IR12	815000004	815000005	Plastic/Red
3/4" IR34	815000006	815000007	Plastic/Red
1" IR100	815000008	815000009	Plastic/Red



SPARE KIT SEAL FOR FEMALE

Repair kit / OR		
Body Size	Description	Part Number
1/4"	F IR-V14	815700348
3/8"	F IR-V38	815700350
1/2"	F IR-V12	815700352
3/4"	F IR-V34	815700354
3/4"	F IR34V FA	815700734
1"	F IR-V100	815700356

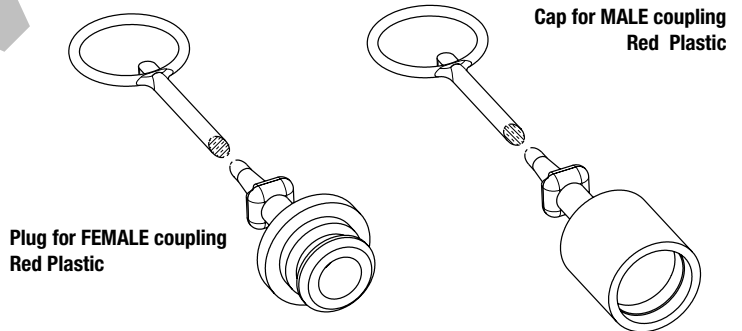
O-Ring in NBR



PROTECTIVE CAPS FOR IR-V SERIES

Protective caps are always recommended to protect the couplings from damage, dirt inclusion, and will increase the product life. This is particularly important in agriculture applications where exposure to weather and aggregate materials are common.

The protective caps for IR-V series are manufactured in plastic with connection lanyard (standard color red, other colors available upon request).



Plug for FEMALE coupling
Red Plastic

Cap for MALE coupling
Red Plastic

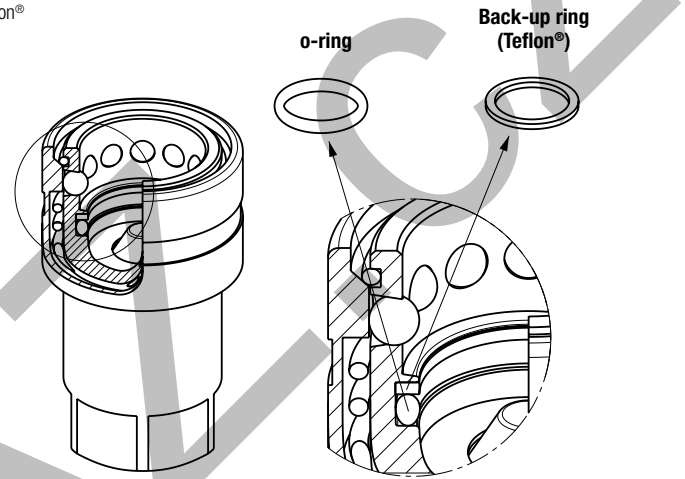
Body Size/Description	Protective Cap		Material/Color
	Plug for Female	Cap for Male	
1/4" IR-V 14	815000000	815000001	Plastic/Red
3/8" IR-V 38	815000002	815000003	Plastic/Red
1/2" IR-V 12	815000004	815000005	Plastic/Red
3/4" IR-V 34	815000006	815000007	Plastic/Red
1" IR-V 100	815000008	815000009	Plastic/Red



SPARE KIT SEAL FOR FEMALE

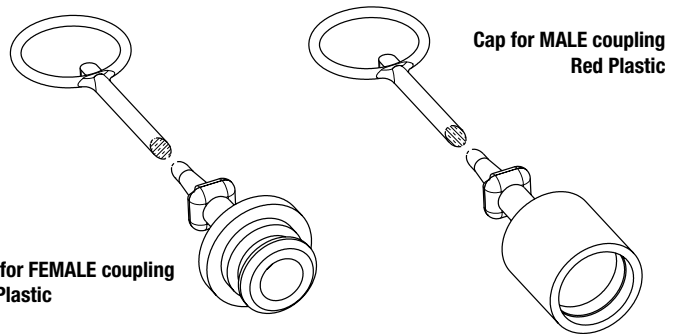
Repair kit / OR+BK		
Body Size	Description	Part Number
1/8"	F IRB18	815700202
1/4"	F IRB14	815700204
3/8"	F IRB38	815700206
1/2"	F IRB12	815700208
3/4"	F IRB34	815700210
1"	F IRB100	815700212

O-Ring in Nitrile
BackUp in Teflon®



PROTECTIVE CAPS FOR IRB SERIES

Protective caps are always recommended to protect the couplings from damage, dirt inclusion, and will increase the product life. The protective caps for IRB series are manufactured in plastic with connection lanyard (standard color red, other colors available upon request).



Plug for FEMALE coupling
Red Plastic

Cap for MALE coupling
Red Plastic

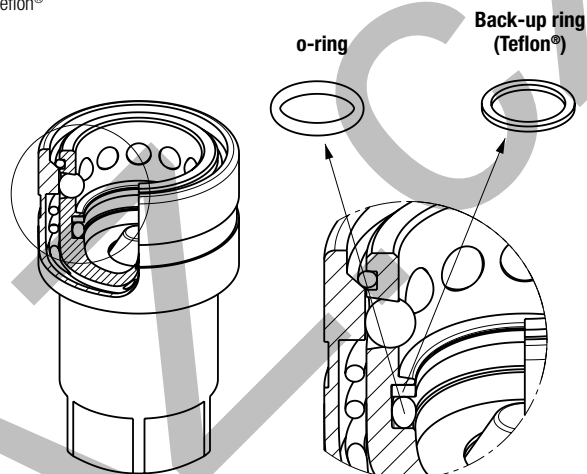
Body Size/Description		Protective Cap		Material/Color
		Plug for Female	Cap for Male	
1/4"	IRB14	815000032	815000033	Plastic/Red
3/8"	IRB38	815000034	815000035	Plastic/Red
1/2"	IRB12	815000036	815000037	Plastic/Red
3/4"	IRB34	815000038	815000039	Plastic/Red
1"	IRB100	815000040	815000041	Plastic/Red



SPARE KIT SEAL FOR FEMALE

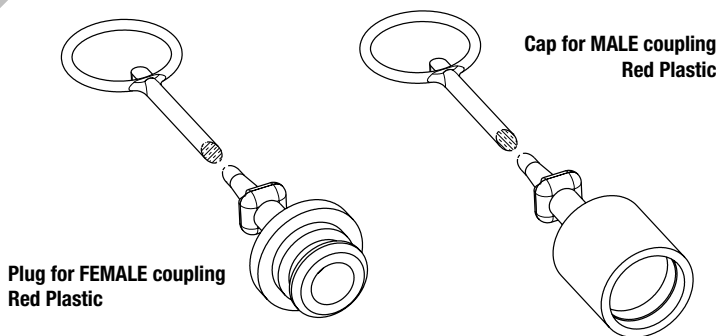
Repair kit / OR+BK		
Body Size	Description	Part Number
1/8"	F IRB018	815700214
1/4"	F IRB014	815700216
3/8"	F IRB038	815700218
1/2"	F IRB012	815700220
3/4"	F IRB034	815700222
1"	F IRB0100	815700224

O-Ring in FKM (VITON®)
BackUp in Teflon®



PROTECTIVE CAPS FOR IRBO SERIES

Protective caps are always recommended to protect the couplings from damage, dirt inclusion, and will increase the product life. The protective caps for IRBO series are manufactured in plastic with connection lanyard (standard color red, other colors available upon request).



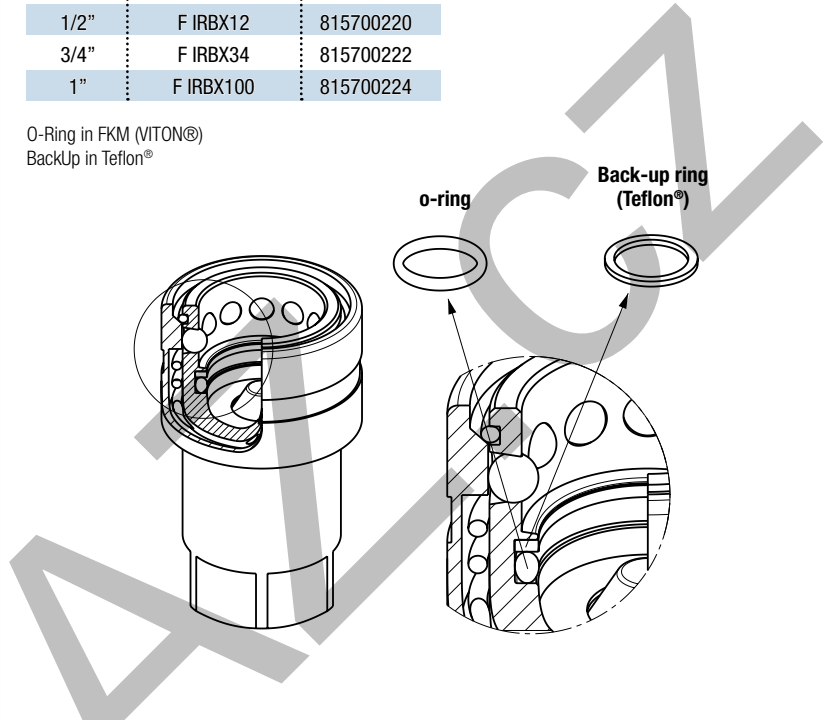
Body Size/Description		Protective Cap		Material/Color
		Plug for Female	Cap for Male	
1/4"	IRB014	815000032	815000033	Plastic/Red
3/8"	IRB038	815000034	815000035	Plastic/Red
1/2"	IRB012	815000036	815000037	Plastic/Red
3/4"	IRB034	815000038	815000039	Plastic/Red
1"	IRB0100	815000040	815000041	Plastic/Red



SPARE KIT SEAL FOR FEMALE

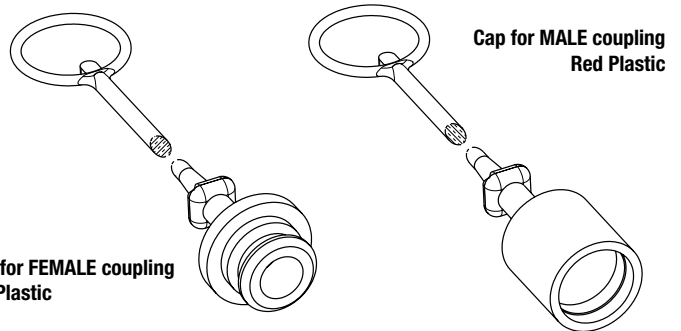
Repair kit / OR+BK		
Body Size	Description	Part Number
1/8"	F IRBX18	815700214
1/4"	F IRBX14	815700216
3/8"	F IRBX38	815700218
1/2"	F IRBX12	815700220
3/4"	F IRBX34	815700222
1"	F IRBX100	815700224

O-Ring in FKM (VITON®)
BackUp in Teflon®



PROTECTIVE CAPS FOR IRBX SERIES

Protective caps are always recommended to protect the couplings from damage, dirt inclusion, and will increase the product life. The protective caps for IRBX series are manufactured in plastic with connection lanyard (standard color red, other colors available upon request).



Plug for FEMALE coupling
Red Plastic

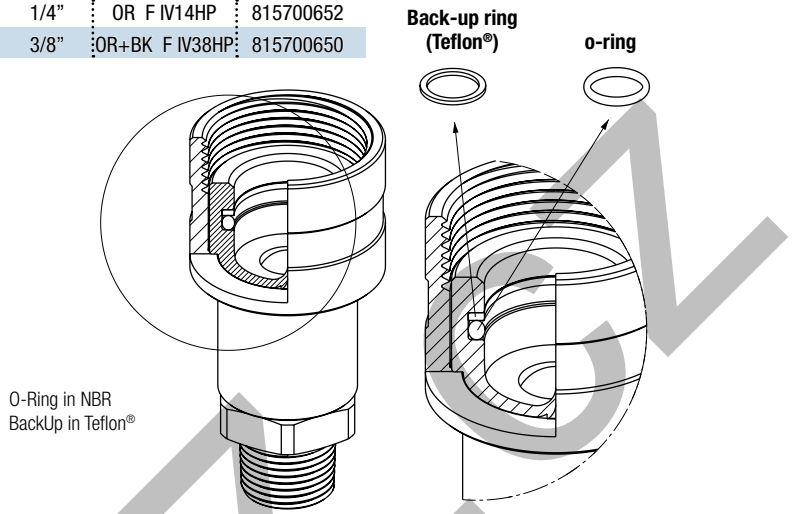
Cap for MALE coupling
Red Plastic

Body Size/Description:		Protective Cap		Material/Color
		Plug for Female	Cap for Male	
1/4"	IRBX14	815000032	815000033	Plastic/Red
3/8"	IRBX38	815000034	815000035	Plastic/Red
1/2"	IRBX12	815000036	815000037	Plastic/Red
3/4"	IRBX34	815000038	815000039	Plastic/Red
1"	IRBX100	815000040	815000041	Plastic/Red



SPARE KIT SEAL FOR FEMALE

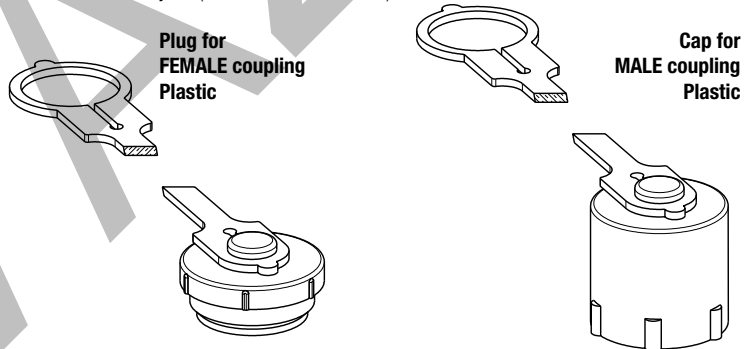
Repair kit / OR (+BK)		
Body Size	Description	Part Number
1/4"	OR F IV14HP	815700652
3/8"	OR+BK F IV38HP	815700650



PROTECTIVE CAPS FOR IV-HP SERIES

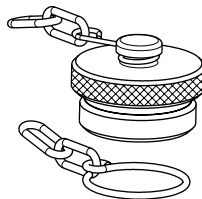
Protective caps are always recommended to protect the couplings from damage, dirt inclusion, and will increase the product life. For the IV-HP series are available two kind of materials:

- Plastic caps with lanyard (standard color: black)
- Cr3 steel with lanyard (standard colors: natural)

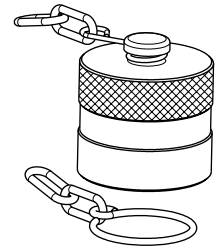


Body Size/Description	Protective Cap		Material/Color
	Plug for Female	Cap for Male	
1/4" IV14HP	815603010	815603011	Plastic/Black
3/8" IV38HP	815603012	815603013	Plastic/Black

Plug for FEMALE coupling Carbon Steel



Cap for MALE coupling Carbon Steel



Body Size/Description	Protective Cap		Material/Color
	Plug for Female	Cap for Male	
1/4" IV14HP	815605004	815605005	Carbon steel/Chrome 3
3/8" IV38HP	815605002	815605003	Carbon steel/Chrome 3