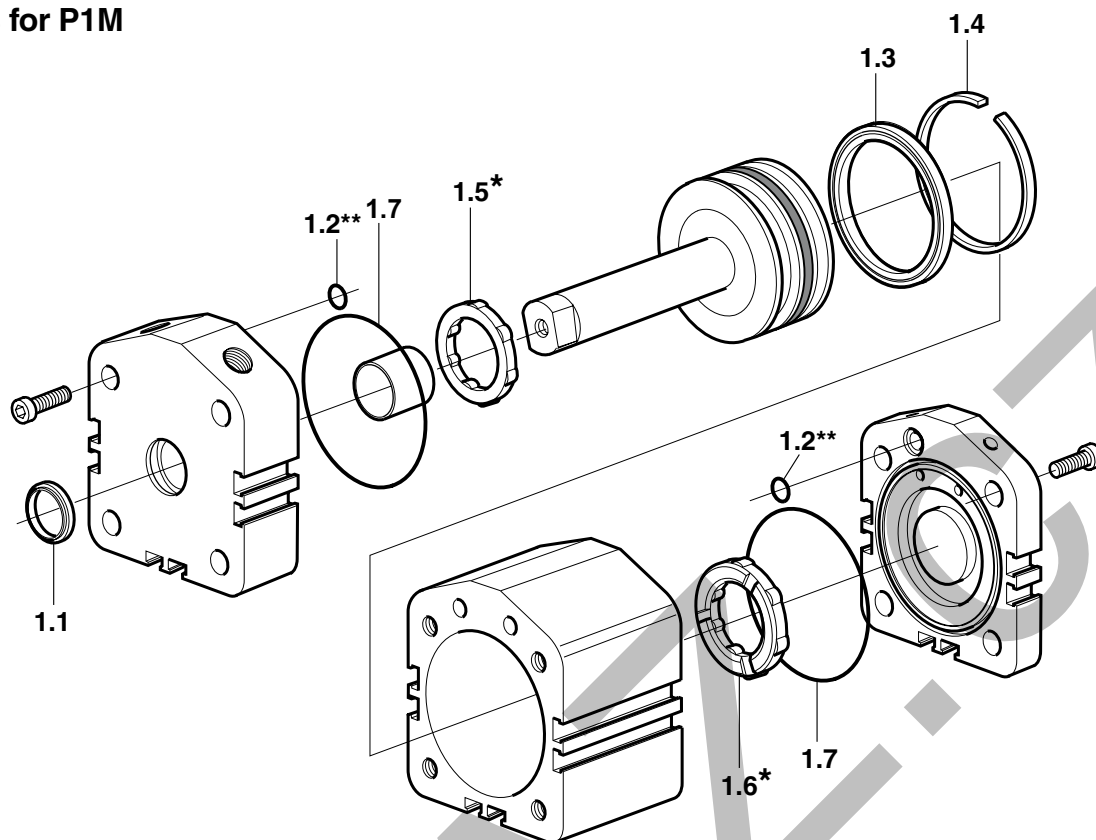


Seal kits for P1M



Seal kits for P1M

No	Qty	Part
1.1	1	Scraper ring/Piston rod seal
1.2	2	O-ring
1.3	1	Piston seals
1.4	1	Piston bearing
1.5	1	Front end bumper
1.6	1	Rear end bumper
1.7	2	O-ring

Material specification, see page 5

* Bumpers 1.5 and 1.6 not valid for high-temperature version, type G.

** Quantity and design vary, depending on the cylinder variant and model.

Seal kits for complete P1M cylinder

Cyl. bore mm	Option	
	Standard	High Temp
12	P1M-6DRN	P1M-6DRV
16	P1M-6FRN	P1M-6FRV
20	P1M-6HRN	P1M-6HRV
25	P1M-6JRN	P1M-6JRV
32	P1M-6KRN	P1M-6KRV
40	P1M-6LRN	P1M-6LRV
50	P1M-6MRN	P1M-6MRV
63	P1M-6NRN	P1M-6NRV
80	P1M-6PRN	P1M-6PRV
100	P1M-6QRN	P1M-6QRV

Grease for P1M



Weight g	Option	
	Standard	High Temp
30	9127394541	9127394521