

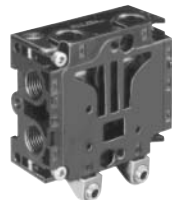
PVD sub bases

(Revised Sept. 2004)

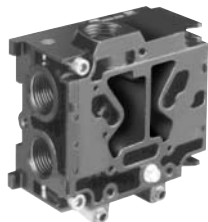
for power valves 4/2
for master supply valves 3/2
for slow start valves 2/2



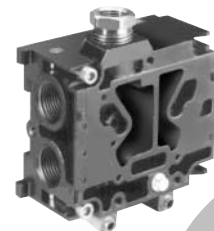
PVUB14287



PVUC34297



PVUC33297



PVUE12227

Sub bases for 4 way power valves

Connection	Pilot Connection	Catalog Number BSP	Catalog Number NPT
1P 3 1/8" 4 threaded 2	instant swivel 5/32" OD tubing	PVUB1428	PVUB14287
1P 3 1/4" 4 threaded 2	instant swivel 5/32" OD tubing	PVUC3429	PVUC34297
1P 3 1/2" 4 threaded 2	instant swivel 5/32" OD tubing	PVUE1423	PVUE14237

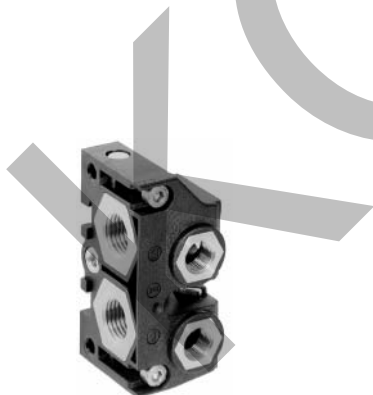
Sub bases for master supply valves

Connection	Pilot Connection	Catalog Number BSP	Catalog Number NPT
1P 3 1/4" 4 threaded 2	instant swivel 5/32" OD tubing	PVUC3329	PVUC33297

Sub bases for slow start valves

Connection	Pilot Connection	Catalog Number BSP	Catalog Number NPT
1P 3 1/4" 4 threaded 2	instant swivel 5/32" OD tubing	PVUC3229	PVUC32297
1P 3 1/2" 4 threaded 2	instant swivel 5/32" OD tubing	PVUE1222	PVUE12227

Valve adaptor modules



PVUCB187

Description	Connectors	Catalog Number
Sub base union 1/4" - 1/8"	1P Threaded 2 1/4" NPT	PVUCB187
	1a Threaded 2a 1/8" NPT	
Sub base union 1/2" - 1/4"	1P Threaded 2 1/2" NPT	PVUEC197
	1a Threaded 2a 1/4" NPT	

Utilization

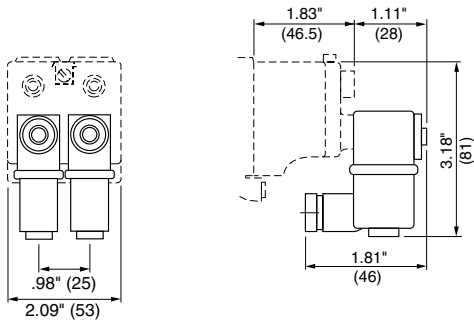
The valve adaptor module allows the combination of different size power valves within the same stack. This module also provides the means to add additional supply and exhaust ports, if required. Some applications may require the isolation of multiple supply pressures. The adaptor allows the isolation of upstream pressure, while introducing the secondary downstream supply. The valve adaptor can be used to provide a large number of arrangements.

Power valves 4/2, 3/2 and 2/2

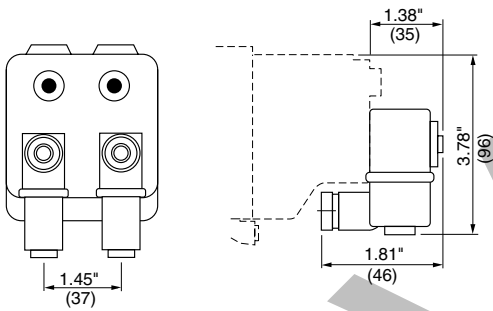
with sub bases -- dimensions

Electrical solenoid actuators

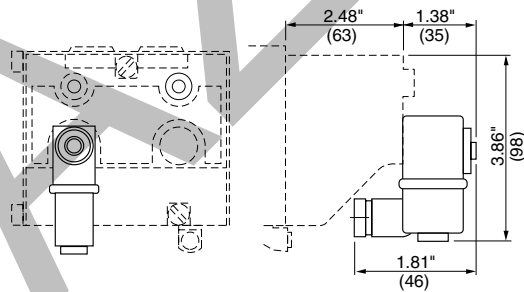
For power valves size 1/8"
PVAF10••



For power valves size 1/4"
PVAF10••

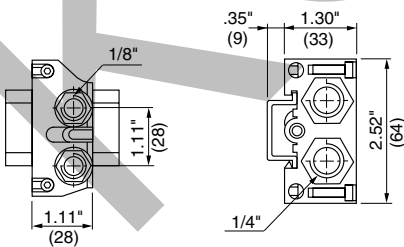


For power valves size 3/8" and 1/2"
PVAF10••



Valve adaptor modules

For combination sizes 1/4"-1/8"
PVU-CB18•



For combination sizes 1/2"-1/4"
PVU-EC19•

