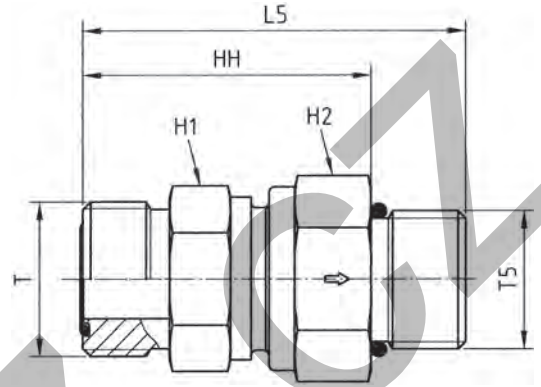


RHZ50MLOS Non return valve

O-Lok® ORFS end / Male UN/UNF thread – O-ring (ISO 11926)



| Tube O.D. | | UNF male thread T5 | ORFS (UN/UNF) thread T | H1 | H2 | L5 | HH | DN (Nom. diam.) | Weight g/1 piece | Order code* | PN (bar) ¹⁾ |
|------------|-----------|--------------------|------------------------|----|----|------|------|-----------------|------------------|--------------------|------------------------|
| mm | Inch | | | | | | | | | | CF |
| 6 | 1/4 | 7/16-20 UNF | 9/16-18 UNF | 19 | 19 | 45.5 | 34.5 | 3.5 | 91 | 4RHZ50MLOS | 420 |
| 8, 10 | 5/16, 3/8 | 9/16-18 UNF | 11/16-16 UNF | 22 | 24 | 54.5 | 42.5 | 5.5 | 161 | 6RHZ50MLOS | 420 |
| 12 | 1/2 | 3/4-16 UNF | 13/16-16 UNF | 24 | 27 | 60.5 | 46.5 | 5.5 | 161 | 8RHZ50MLOS | 420 |
| 14, 15, 16 | 5/8 | 7/8-14 UNF | 1-14 UNF | 32 | 36 | 71.0 | 55.0 | 11.5 | 348 | 10RHZ50MLOS | 420 |
| 18, 20 | 3/4 | 1 1/16-12 UN | 1 3/16-12 UNF | 41 | 46 | 79.0 | 60.5 | 15.0 | 634 | 12RHZ50MLOS | 420 |
| 22, 25 | 1 | 1 5/16-12 UN | 1 7/16-12 UNF | 46 | 50 | 82.5 | 64.0 | 19.0 | 863 | 16RHZ50MLOS | 420 |
| 28, 30, 32 | 1 1/4 | 1 5/8-12 UN | 1 11/16-12 UNF | 60 | 60 | 92.5 | 74.0 | 24.0 | 1397 | 20RHZ50MLOS | 250 |
| 35, 38 | 1 1/2 | 1 7/8-12 UN | 2-12 UNF | 65 | 70 | 99.5 | 81.0 | 29.0 | 2001 | 24RHZ50MLOS | 250 |

¹⁾ Pressure shown = item deliverable

$$\frac{PN \text{ (bar)}}{10} = PN \text{ (MPa)}$$

Information on ordering complete fittings or alternative sealing materials see page 17.

| Order code suffixes | | | |
|---------------------|-----------------------------|--------------|---|
| Material | Suffix surface and material | Example | Standard sealing material (no additional suffix needed) |
| Steel | CF | 4RHZ50MLOSCF | NBR |

*Please add the **suffixes** below according to the material/surface required.