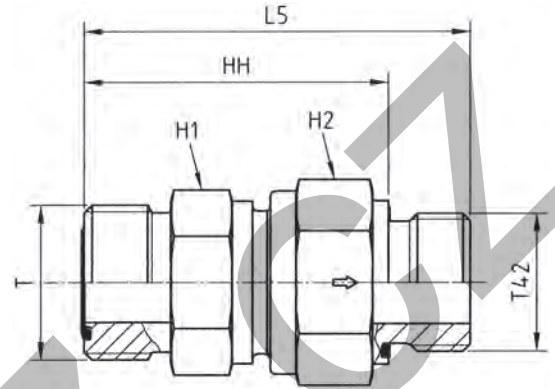


## RHZ42EDMLOS Non return valve

O-Lok® ORFS end / Male BSPB thread – ED-seal (ISO 1179)



| Tube O.D.  |           | BSPB thread | ORFS (UN/UNF) thread | H1 | H2 | L5    | HH   | DN (Nom. diam.) | Weight g/1 piece | Order code*          | PN (bar) <sup>1)</sup> |
|------------|-----------|-------------|----------------------|----|----|-------|------|-----------------|------------------|----------------------|------------------------|
| mm         | Inch      | T42         | T                    |    |    |       |      |                 |                  | CF                   |                        |
| 6          | 1/4       | G 1/8       | 9/16-18 UNF          | 19 | 19 | 44.5  | 36.5 | 3.5             | 91               | <b>4RHZ42EDMLOS</b>  | 420                    |
| 8, 10      | 5/16, 3/8 | G 1/4       | 11/16-16 UNF         | 24 | 27 | 56.5  | 44.5 | 6.5             | 161              | <b>6RHZ42EDMLOS</b>  | 420                    |
| 12         | 1/2       | G 3/8       | 13/16-16 UNF         | 24 | 27 | 61.5  | 49.5 | 7.5             | 190              | <b>8RHZ42EDMLOS</b>  | 420                    |
| 14, 15, 16 | 5/8       | G 1/2       | 1-14 UNF             | 32 | 36 | 70.0  | 56.0 | 11.5            | 348              | <b>10RHZ42EDMLOS</b> | 420                    |
| 18, 20     | 3/4       | G 3/4       | 1 3/16-12 UNF        | 41 | 46 | 77.5  | 53.5 | 15.0            | 634              | <b>12RHZ42EDMLOS</b> | 420                    |
| 22, 25     | 1         | G 1         | 1 7/16-12 UNF        | 46 | 50 | 84.0  | 66.0 | 19.0            | 863              | <b>16RHZ42EDMLOS</b> | 420                    |
| 28, 30, 32 | 1 1/4     | G 1 1/4     | 1 11/16-12 UNF       | 60 | 60 | 95.0  | 75.0 | 24.0            | 1397             | <b>20RHZ42EDMLOS</b> | 250                    |
| 35, 38     | 1 1/2     | G 1 1/2     | 2-12 UNF             | 65 | 70 | 105.0 | 83.0 | 29.0            | 2001             | <b>24RHZ42EDMLOS</b> | 250                    |

<sup>1)</sup> Pressure shown = item deliverable

$$\frac{\text{PN (bar)}}{10} = \text{PN (MPa)}$$

Information on ordering complete fittings or alternative sealing materials see page 17.

| Order code suffixes |                             |                |   |
|---------------------|-----------------------------|----------------|---|
| Material            | Suffix surface and material | Example        | Standard sealing material (no additional suffix needed) |
| Steel               | CF                          | 4RHZ42EDMLOSCF | NBR   |

\*Please add the **suffixes** below according to the material/surface required.