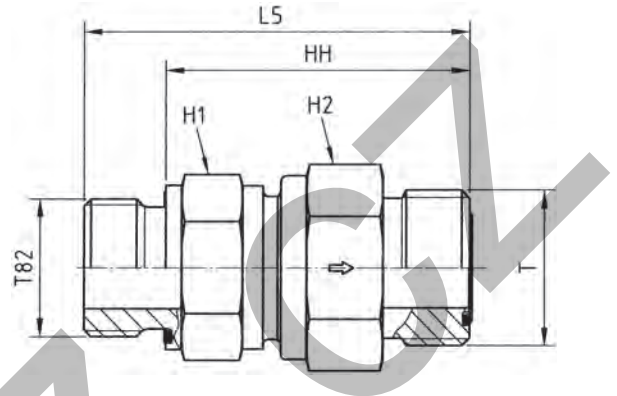


## RHV82EDMLOS Non return valve

Male metric thread – ED-seal (ISO 9974) / O-Lok® ORFS end



| Tube O.D.  |           | metric thread T82 | ORFS (UN/UNF) thread T | H1 | H2 | L5    | HH   | DN (Nom. diam.) | Weight g/1 piece | Order code*             | PN (bar) <sup>1)</sup> |
|------------|-----------|-------------------|------------------------|----|----|-------|------|-----------------|------------------|-------------------------|------------------------|
| mm         | Inch      |                   |                        |    |    |       |      |                 |                  |                         | CF                     |
| 6          | 1/4       | M 12×1.5          | 9/16-18 UNF            | 19 | 19 | 48.5  | 36.5 | 3.5             | 89               | <b>4M12RHV82EDMLOS</b>  | 420                    |
| 8, 10      | 5/16, 3/8 | M 16×1.5          | 11/16-16 UNF           | 22 | 24 | 56.5  | 44.5 | 5.5             | 157              | <b>6M16RHV82EDMLOS</b>  | 420                    |
| 12         | 1/2       | M 18×1.5          | 13/16-16 UNF           | 24 | 27 | 61.5  | 49.5 | 7.5             | 195              | <b>8M18RHV82EDMLOS</b>  | 420                    |
| 14, 15, 16 | 5/8       | M 22×1.5          | 1-14 UNF               | 32 | 36 | 72.0  | 58.0 | 11.5            | 369              | <b>10M22RHV82EDMLOS</b> | 420                    |
| 18, 20     | 3/4       | M 27×2.0          | 1 3/16-12 UNF          | 41 | 46 | 79.5  | 63.5 | 15.0            | 628              | <b>12M27RHV82EDMLOS</b> | 420                    |
| 22, 25     | 1         | M 33×2.0          | 1 7/16-12 UNF          | 46 | 50 | 84.0  | 66.0 | 19.0            | 867              | <b>16M33RHV82EDMLOS</b> | 420                    |
| 28, 30, 32 | 1 1/4     | M 42×2.0          | 1 11/16-12 UNF         | 60 | 60 | 95.0  | 75.0 | 24.0            | 1409             | <b>20M42RHV82EDMLOS</b> | 250                    |
| 35, 38     | 1 1/2     | M 48×2.0          | 2-12 UNF               | 65 | 70 | 103.0 | 81.0 | 29.0            | 1970             | <b>24M48RHV82EDMLOS</b> | 250                    |

<sup>1)</sup> Pressure shown = item deliverable

$$\frac{\text{PN (bar)}}{10} = \text{PN (MPa)}$$

Information on ordering complete fittings or alternative sealing materials see page 17.

| Order code suffixes |                             |                   |   |
|---------------------|-----------------------------|-------------------|---|
| Material            | Suffix surface and material | Example           | Standard sealing material (no additional suffix needed) |
| Steel               | CF                          | 4M12RHV82EDMLOSCF | NBR   |

\*Please add the **suffixes** below according to the material/surface required.