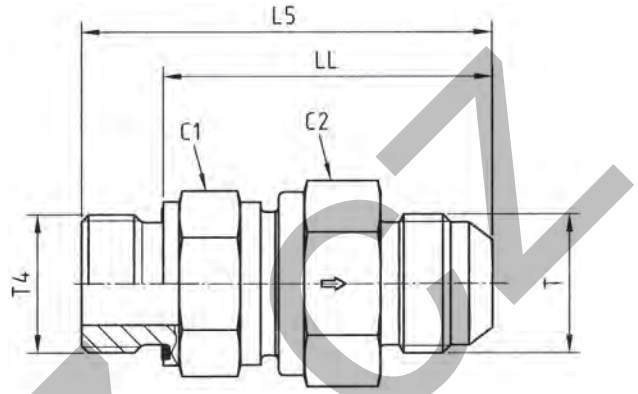


## RHV42EDMXS Non return valve

Male BSPP thread – ED-seal (ISO 1179) / Triple-Lok® 37° flare end



Tube O.D.		BSPP thread	Thread JIC SAE T	C1	C2	L5	LL	DN (Nom. diam.)	Weight g/1 piece	Order code*	PN (bar) <sup>1)</sup>
mm	Inch	T4	T							CF	
6	1/4	G 1/8	7/16-20 UNF	19	19	48.0	40.0	3.5	92	<b>4RHV42EDMXS</b>	420
8	5/16	G 1/4	1/2-20 UNF	22	24	59.5	47.5	5.5	165	<b>5-4RHV42EDMXS</b>	420
10	3/8	G 1/4	9/16-18 UNF	24	27	62.0	50.0	7.5	191	<b>6RHV42EDMXS</b>	420
12	1/2	G 3/8	3/4-16 UNF	27	32	67.0	55.0	9.5	277	<b>8RHV42EDMXS</b>	420
14, 15, 16	5/8	G 1/2	7/8-14 UNF	32	36	76.0	62.0	11.5	366	<b>10RHV42EDMXS</b>	350
18, 20	3/4	G 3/4	1 1/16-12 UN	41	46	84.5	68.5	15.0	631	<b>12RHV42EDMXS</b>	350
25	1	G 1	1 5/16-12 UN	46	50	89.5	71.5	19.0	863	<b>16RHV42EDMXS</b>	280
28, 30, 32	1 1/4	G 1 1/4	1 5/8-12 UN	60	60	102.0	82.0	24.0	1403	<b>20RHV42EDMXS</b>	250
35, 38	1 1/2	G 1 1/2	1 7/8-12 UN	65	70	113.0	91.0	29.0	1969	<b>24RHV42EDMXS</b>	210

<sup>1)</sup>Pressure shown = item deliverable

$$\frac{\text{PN (bar)}}{10} = \text{PN (MPa)}$$

Information on ordering complete fittings or alternative sealing materials see page I7.

Order code suffixes			
Material	Suffix surface and material	Example	Standard sealing material (no additional suffix needed)
Steel	CF	4RHV42EDMXSCF	NBR

\*Please add the **suffixes** below according to the material/surface required.