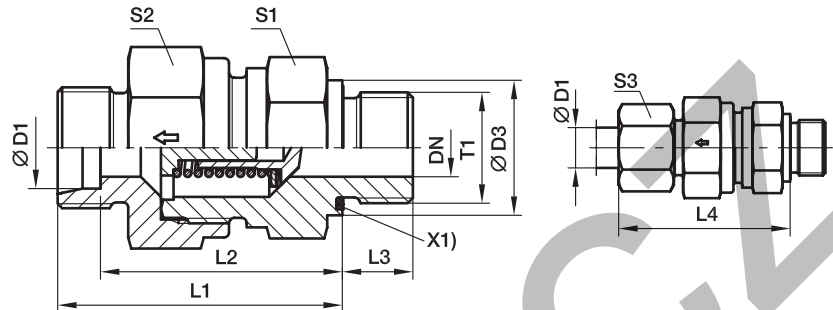


RHV-M-ED Non return valve

EO 24° cone end / Male metric thread – ED-seal (ISO 9974)



X1) Eolastic sealing

| Series | D1 | T1 | CF DN | 71 DN | D3 | L1 | L2 | L3 | L4 | S1 | CF S2 | 71 S2 | S3 | Weight g/1 piece | Order code* | PN (bar) ¹⁾ | |
|-----------------|----|----------|-------|-------|----|------|------|----|-------|----|-------|-------|----|------------------|--------------|------------------------|-----|
| | | | | | | | | | | | | | | | | CF | 71 |
| L ³⁾ | 06 | M 10×1.0 | 3.5 | 3.5 | 14 | 35.0 | 28.0 | 8 | 42.5 | 17 | 17 | 17 | 14 | 46 | RHV06LMEDOMD | 400 | 250 |
| | 08 | M 12×1.5 | 5.5 | 5.5 | 17 | 37.0 | 29.5 | 12 | 43.5 | 19 | 19 | 19 | 17 | 58 | RHV08LMEDOMD | 400 | 250 |
| | 10 | M 14×1.5 | 7.5 | 7.5 | 19 | 46.0 | 38.5 | 12 | 53.0 | 22 | 24 | 44 | 19 | 108 | RHV10LMEDOMD | 400 | 250 |
| | 12 | M 16×1.5 | 9.5 | 9.5 | 22 | 50.0 | 42.5 | 12 | 57.0 | 27 | 30 | 30 | 22 | 173 | RHV12LMEDOMD | 400 | 250 |
| | 15 | M 18×1.5 | 11.0 | 11.5 | 24 | 53.0 | 45.5 | 12 | 60.5 | 27 | 32 | 32 | 27 | 192 | RHV15LMEDOMD | 400 | 250 |
| | 18 | M 22×1.5 | 14.0 | 14.0 | 27 | 58.0 | 50.0 | 14 | 66.0 | 36 | 41 | 36 | 32 | 298 | RHV18LMEDOMD | 400 | 160 |
| | 22 | M 26×1.5 | 18.0 | 18.0 | 32 | 63.0 | 55.0 | 16 | 71.0 | 41 | 46 | 46 | 36 | 446 | RHV22LMEDOMD | 250 | 160 |
| | 28 | M 33×2.0 | 23.0 | 23.0 | 40 | 71.0 | 63.0 | 18 | 79.5 | 50 | 55 | 55 | 41 | 722 | RHV28LMEDOMD | 250 | 100 |
| | 35 | M 42×2.0 | 29.0 | 29.0 | 50 | 80.0 | 69.0 | 20 | 90.5 | 60 | 65 | 65 | 50 | 1053 | RHV35LMEDOMD | 250 | 100 |
| | 42 | M 48×2.0 | 29.0 | 29.0 | 55 | 80.0 | 68.5 | 22 | 91.0 | 65 | 70 | 70 | 60 | 1563 | RHV42LMEDOMD | 250 | 100 |
| S ⁴⁾ | 06 | M 12×1.5 | 3.5 | 3.5 | 17 | 38.5 | 31.5 | 12 | 46.0 | 19 | 19 | 19 | 17 | 70 | RHV06SMEDOMD | 420 | 400 |
| | 08 | M 14×1.5 | 3.5 | 3.5 | 19 | 38.5 | 31.5 | 12 | 46.0 | 19 | 19 | 19 | 19 | 76 | RHV08SMEDOMD | 420 | 400 |
| | 10 | M 16×1.5 | 5.5 | 5.5 | 22 | 45.5 | 38.0 | 12 | 54.0 | 22 | 24 | 24 | 22 | 124 | RHV10SMEDOMD | 420 | 400 |
| | 12 | M 18×1.5 | 7.5 | 7.5 | 24 | 48.5 | 41.0 | 12 | 57.0 | 24 | 27 | 27 | 24 | 157 | RHV12SMEDOMD | 420 | 400 |
| | 16 | M 22×1.5 | 11.0 | 11.5 | 27 | 57.0 | 48.0 | 14 | 66.0 | 32 | 36 | 36 | 30 | 296 | RHV16SMEDOMD | 420 | 315 |
| | 20 | M 27×2.0 | 15.0 | 15.0 | 32 | 63.0 | 52.0 | 16 | 73.5 | 41 | 50 | 46 | 36 | 521 | RHV20SMEDOMD | 420 | 250 |
| | 25 | M 33×2.0 | 19.0 | 19.0 | 40 | 67.0 | 54.5 | 18 | 78.5 | 46 | 55 | 50 | 46 | 648 | RHV25SMEDOMD | 420 | 250 |
| | 30 | M 42×2.0 | 24.0 | 24.0 | 50 | 78.0 | 64.0 | 20 | 90.5 | 60 | 60 | 60 | 50 | 1178 | RHV30SMEDOMD | 250 | 250 |
| | 38 | M 48×2.0 | 29.0 | 29.0 | 55 | 86.0 | 69.5 | 22 | 100.0 | 65 | 70 | 70 | 60 | 1627 | RHV38SMEDOMD | 250 | 250 |

¹⁾ Pressure shown = item deliverable

³⁾ L = light series; ⁴⁾ S = heavy series

$$\frac{PN \text{ (bar)}}{10} = PN \text{ (MPa)}$$

Delivery without nut and ring. Information on ordering complete fittings or alternative sealing materials see page 17.

*Please add the suffixes below according to the material/surface required.

| Order code suffixes | | | |
|---------------------|-----------------------------|----------------|---|
| Material | Suffix surface and material | Example | Standard sealing material (no additional suffix needed) |
| Steel | CF | RHV06LMEDOMDCF | NBR |
| Stainless steel | 71 | RHV06LMEDOMD71 | VIT |