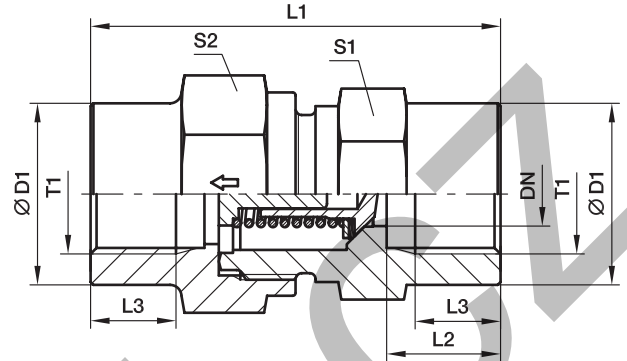


## RHDI Non return valve

Female BSPP thread (ISO 1179-1) / Female BSPP thread (ISO 1179-1)



Series	T1	DN	D1	L1	L2	L3	S1	S2	Weight g/1 piece	Order code*	PN (bar) <sup>1)</sup>	
											CF	71
L <sup>3)</sup>	G 1/8	3.5	19	42.5	12.0	8.0	19	19	76	<b>RHDI1/8</b>	400	400
	G 1/4	3.5	19	51.0	16.0	12.0	19	19	82	<b>RHDI1/4</b>	400	400
	G 3/8	7.5	24	60.0	17.0	12.0	24	27	157	<b>RHDI3/8</b>	400	400
	G 1/2	11.5	32	72.0	20.0	15.0	32	36	344	<b>RHDI1/2</b>	315	315
	G 3/4	15.0	41	84.0	22.0	16.5	41	46	664	<b>RHDI3/4</b>	250	250
	G 1	19.0	46	95.0	25.5	19.0	46	50	821	<b>RHDI1</b>	250	250
	G 1 1/4	24.0	60	110.0	28.0	21.5	60	60	1581	<b>RHDI11/4</b>	250	250
	G 1 1/2	29.0	65	114.0	28.5	22.0	65	70	1919	<b>RHDI11/2</b>	250	250

<sup>1)</sup> Pressure shown = item deliverable

<sup>3)</sup> L = light series

$$\frac{\text{PN (bar)}}{10} = \text{PN (MPa)}$$

Delivery without nut and ring. Information on ordering complete fittings or alternative sealing materials see page 17.

Order code suffixes			
Material	Suffix surface and material	Example	Standard sealing material (no additional suffix needed)
Steel	CF	RHDI1/8CF	NBR
Stainless steel	71	RHDI1/871	VIT

\*Please add the **suffixes** below according to the material/surface required.