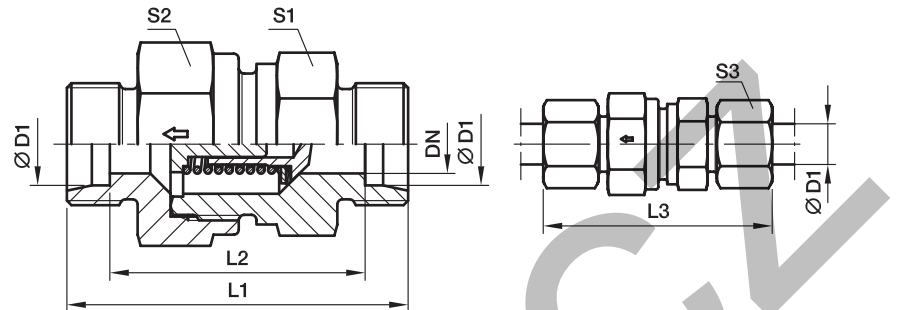


## RHD Non return valve

EO 24° cone end / EO 24° cone end



Series	D1 	CF DN	71 DN	L1	L2	L3	S1	CF S2	71 S2	S3	Weight g/1 piece	Order code*	PN (bar) <sup>1)</sup>	
													CF	71
L <sup>3)</sup>	06	3.5	3.5	43.0	29.0	58.0	17	17	17	14	46	<b>RHD06LOMD</b>	400	250
	08	5.5	5.5	44.0	30.0	59.0	19	19	19	17	61	<b>RHD08LOMD</b>	400	250
	10	7.5	7.5	55.0	40.5	69.5	22	24	24	19	104	<b>RHD10LOMD</b>	400	250
	12	9.5	9.5	58.0	43.5	72.5	27	30	30	22	166	<b>RHD12LOMD</b>	400	250
	15	11.0	11.5	62.0	47.5	77.5	27	32	32	27	192	<b>RHD15LOMD</b>	400	250
	18	14.0	14.0	67.0	51.5	83.5	36	41	36	32	292	<b>RHD18LOMD</b>	400	160
	22	18.0	18.0	77.0	61.5	93.5	41	46	46	36	472	<b>RHD22LOMD</b>	250	160
	28	23.0	23.0	85.0	69.5	102.5	50	55	55	41	746	<b>RHD28LOMD</b>	250	100
	35	29.0	29.0	96.0	74.0	117.5	60	65	60	50	1062	<b>RHD35LOMD</b>	250	100
	42	29.0	29.0	96.0	74.0	119.0	65	70	70	60	1518	<b>RHD42LOMD</b>	250	100
S <sup>4)</sup>	06	3.5	3.5	48.5	34.5	63.5	19	19	19	17	70	<b>RHD06SOMD</b>	420	400
	08	3.5	3.5	48.5	34.5	63.5	19	19	19	19	74	<b>RHD08SOMD</b>	420	400
	10	5.5	5.5	55.5	40.5	72.5	22	24	24	22	121	<b>RHD10SOMD</b>	420	400
	12	7.5	7.5	57.5	42.5	74.5	24	27	27	24	148	<b>RHD12SOMD</b>	420	400
	16	11.0	11.5	68.0	50.5	86.5	32	36	36	30	286	<b>RHD16SOMD</b>	420	315
	20	15.0	15.0	76.0	54.5	97.5	41	50	46	36	506	<b>RHD20SOMD</b>	420	250
	25	19.0	19.0	83.0	58.5	106.5	46	55	50	46	639	<b>RHD25SOMD</b>	420	250
	30	24.0	24.0	97.0	69.5	122.5	60	60	60	50	1157	<b>RHD30SOMD</b>	250	250
	38	29.0	29.0	108.0	75.5	136.5	65	70	70	60	1650	<b>RHD38SOMD</b>	250	250

<sup>1)</sup> Pressure shown = item deliverable

<sup>3)</sup> L = light series; <sup>4)</sup> S = heavy series

$$\frac{\text{PN (bar)}}{10} = \text{PN (MPa)}$$

Delivery without nut and ring. Information on ordering complete fittings or alternative sealing materials see page 17.

Order code suffixes			
Material	Suffix surface and material	Example	Standard sealing material (no additional suffix needed)
Steel	CF	RHD06LOMDCF	NBR
Stainless steel	71	RHD06LOMD71	VIT

\*Please add the suffixes below according to the material/surface required.