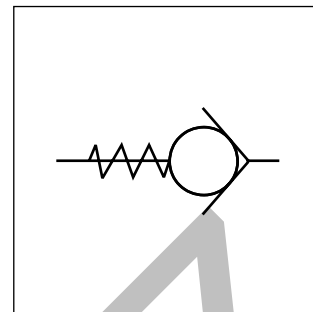
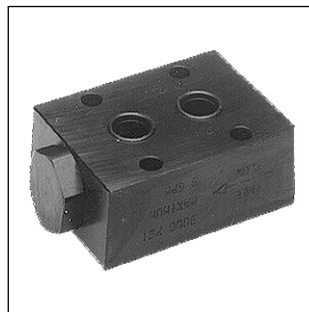


Characteristics / Ordering Code

Manatrol check valves of the series CS for subplate mounting provide free flow in one direction and block flow in the counter direction.

Specific Manatrol poppets and poppet guides ensure reliable functional integrity even at high flow rates and/or pulsations.



Ordering code

CS

Manifold design

□

Nominal size

S

Steel body

□

Opening pressure

□

Seal

Code	Size
400	400 (1/4)
600	600 (3/8)
800	800 (1/2)
1200	1200 (3/4)
1600	1600 (1)

Code	Seal
omit	NBR
V	FPM

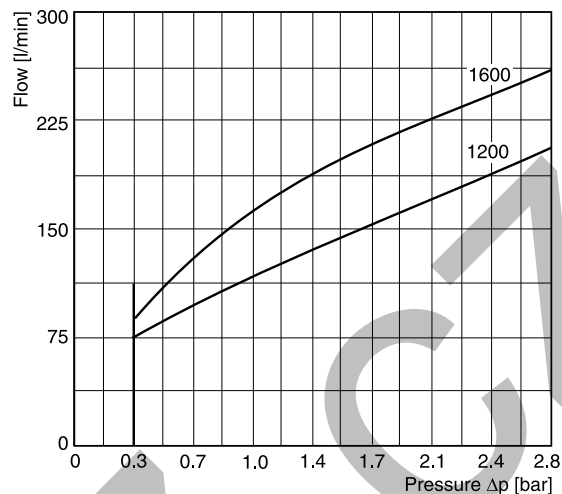
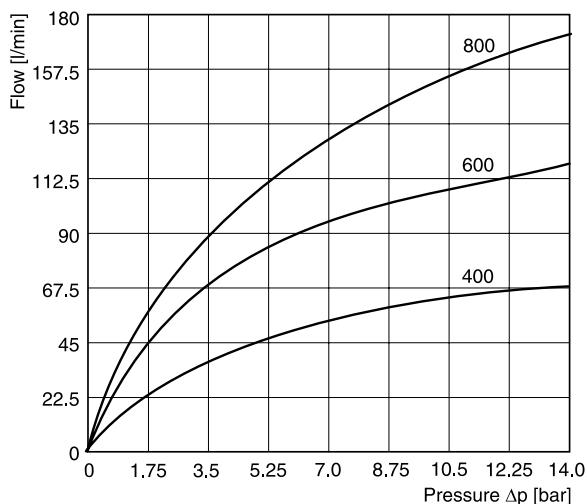
Code	Pressure [bar]
omit	0.35
65	4.5

Bold letters = Short-term availability

Technical data

General		400	600	800	1200	1600
Size						
MTTF _D value	[years]	150				
Weight	[kg]	0.5	0.7	1.0	2.3	3.5
Ambient temperature	[°C]	-20 ... +60				
Hydraulic						
Operating pressure	[bar]	210	210	210	210	210
Pressure drop Δp	[bar]	10	10	10	1	1
Flow	[l/min]	65	110	155	112	160
Fluid		Hydraulic oil as per DIN 51524				
Fluid temperature	[°C]	-20...+70 (NBR: -25...+70)				
Viscosity,	permitted	20 ... 400				
	recommended	30 ... 80				
Filtration		ISO 4406 (1999); 18/16/13				

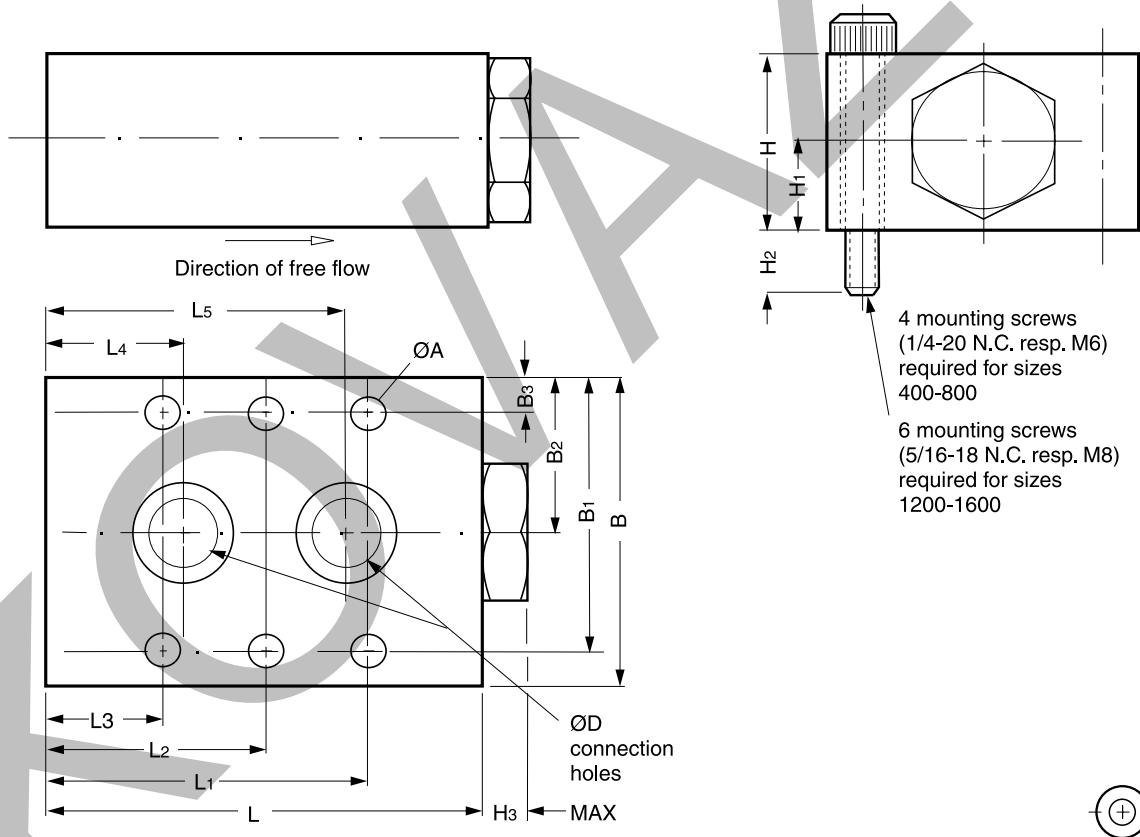
Δp/Q performance curves



All characteristic curves measured with HLP46 at 50 °C.

Dimensions

6



Size	ØD	ØA	L	L1	L2	L3	L4	L5	B3	B2	B1	B	H	H1	H2	H3	Weight [kg]
CS 400S	7.1	6.35	63.5	49.0	-	14.2	19.1	44.5	5.3	22.1	38.9	44.5	22.1	10.9	9.9	7.9	0.5
CS 600S	10.2	6.35	69.9	51.6	-	18.0	22.1	47.5	6.4	25.4	44.5	50.8	25.4	12.7	13.0	8.1	0.7
CS 800S	11.9	6.35	80.7	59.4	-	21.3	25.4	55.6	6.4	28.4	50.8	57.2	31.8	15.7	13.2	8.1	1.0
CS 1200S	17.3	8.5	103.9	89.9	51.8	13.7	25.1	79.2	7.9	34.8	61.7	69.9	44.5	22.1	14.5	10.7	2.3
CS 1600S	22.1	8.5	127.0	111.0	63.5	15.7	34.8	91.9	7.9	38.1	68.1	76.2	50.8	25.4	14.5	10.7	3.5