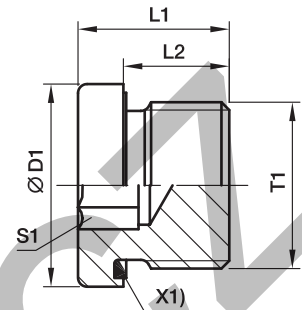


## VSTI M/R-ED Blanking plug for ports

Male metric thread – ED-seal (ISO 9974)

Male BSPP thread – ED-seal (ISO 1179)



X1) Eolastic-sealing ED

Male metric parallel thread T1	Male stud BSP thread T1	D1	L1	L2	S1	Weight g/1 piece	Order code*	Order code*	PN (bar) <sup>1)</sup>	
									Steel	71
M 10×1.0	G 1/8 A	14.0	12.3	8	5	8	<b>VSTI10X1.5ED</b>	<b>VSTI1/8ED</b>	400	400
M 12×1.5		17.0	17.3	12	6	14	<b>VSTI12X1.5ED</b>		400	400
M 14×1.5	G 1/4 A	19.0	17.3	12	6	20	<b>VSTI14X1.5ED</b>	<b>VSTI1/4ED</b>	400	400
M 16×1.5	G 3/8 A	22.0	17.3	12	8	25	<b>VSTI16X1.5ED</b>	<b>VSTI3/8ED</b>	400	400
M 18×1.5		24.0	17.3	12	8	32	<b>VSTI18X1.5ED</b>		400	400
M 20×1.5		26.0	19.3	14	10	42	<b>VSTI20X1.5ED</b>		400	400
M 22×1.5	G 1/2 A	27.0	19.3	14	10	51	<b>VSTI22X1.5ED</b>	<b>VSTI1/2ED</b>	400	400
M 26×1.5		32.0	21.3	16	12	78	<b>VSTI26X1.5ED</b>		400	400
M 27×2.0	G 3/4 A	32.0	21.3	16	12	79	<b>VSTI27X2ED</b>	<b>VSTI3/4ED</b>	400	400
M 33×2.0	G 1 A	40.0	22.8	16	17	130	<b>VSTI33X2ED</b>	<b>VSTI1ED</b>	400	400
M 42×2.0	G 1 1/4 A	50.0	22.8	16	22	198	<b>VSTI42X2ED</b>	<b>VSTI11/4ED</b>	315	315
M 48×2.0	G 1 1/2 A	55.0	22.8	16	24	263	<b>VSTI48X2ED</b>	<b>VSTI11/2ED</b>	315	315

<sup>1)</sup> Pressure shown = item deliverable

$$\frac{\text{PN (bar)}}{10} = \text{PN (MPa)}$$

Information on ordering alternative sealing materials see page 17.

Order code suffixes			
Material	Suffix surface and material	Example	Standard sealing material (no additional suffix needed)
Steel	CF	VSTI1/2EDCF	NBR
Stainless Steel	71	VSTI1/2ED71	VIT

\*Please add the **suffixes** below according to the material/surface required.