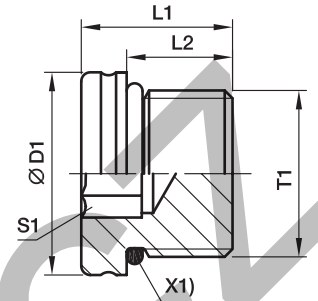


VSTI M-OR Blanking plug for ports

Male metric thread – O-ring (ISO 6149)



X1) O-ring OR

T1	D1	L1	L2	S1	Weight g/1 piece	Order code*	PN (bar) ¹⁾ Steel
M 08x1.0	12	13.0	9.5	4	6	VSTI8X1OR	630
M 10x1.0	13	13.5	9.5	5	8	VSTI10X1OR	630
M 12x1.5	17	15.0	11.0	6	14	VSTI12X1.5OR	630
M 14x1.5	19	16.0	11.0	6	20	VSTI14X1.5OR	630
M 16x1.5	21	17.5	12.5	8	26	VSTI16X1.5OR	630
M 18x1.5	23	19.0	14.0	8	37	VSTI18X1.5OR	630
M 22x1.5	27	20.0	15.0	10	58	VSTI22X1.5OR	630
M 26x1.5	31	21.0	16.0	12	77	VSTI26X1.5OR	400
M 27x2.0	32	23.5	18.5	12	95	VSTI27X2OR	400
M 33x2.0	38	25.0	18.5	14	148	VSTI33X2OR	400
M 42x2.0	48	25.5	19.0	22	233	VSTI42X2OR	400
M 48x2.0	55	28.0	21.5	24	336	VSTI48X2OR	400

¹⁾ Pressure shown = item deliverable

$$\frac{PN \text{ (bar)}}{10} = PN \text{ (MPa)}$$

Information on ordering alternative sealing materials see page 17.

Order code suffixes			
Material	Suffix surface and material	Example	Standard sealing material (no additional suffix needed)
Steel	CF	VSTI18X1.5ORCF	NBR

*Please add the **suffixes** below according to the material/surface required.